



US00D626774S

(12) **United States Design Patent**
Tuggle

(10) **Patent No.:** **US D626,774 S**

(45) **Date of Patent:** **** Nov. 9, 2010**

(54) **FEET MAT FOR BATHROOMS**

D393,726 S * 4/1998 Sweeney D25/113

* cited by examiner

(76) Inventor: **Vynaomi Marie Tuggle**, 2450 Marie Dr., Conway, AR (US) 72034

Primary Examiner—Robert M Spear
Assistant Examiner—Barbara B Lohr

(**) Term: **14 Years**

(57) **CLAIM**

(21) Appl. No.: **29/359,258**

The ornamental design for a feet mat for bathrooms, as shown and described.

(22) Filed: **Apr. 7, 2010**

Related U.S. Application Data

DESCRIPTION

(62) Division of application No. 29/314,523, filed on Apr. 7, 2009.

A portion of the disclosure of this patent document contains material to which a claim for copyright is made. The copyright owner has no objection to the facsimile reproduction of the patent document or the patent disclosure, as it appears in the Patent and Trademark Office patent file or records, but reserves all other copyrights whatsoever.

(51) **LOC (9) Cl.** **06-11**

(52) **U.S. Cl.** **D6/591**

(58) **Field of Classification Search** D6/545, D6/551, 558, 559, 582, 583, 584, 585, 591; D5/8, 13, 14, 26, 27; D23/303, 304, 305, D23/306, 307; 5/413, 417, 419, 420, 448, 5/464, 482, 485, 490, 493, 902; 3/580, 581, 3/582, 583; 434/382; D25/113

FIG. 1 is a perspective view of a feet mat for bathrooms as it relates to a toilet bottom;

FIG. 2 is a perspective view of the mat showing the design as applied to the perimeter of the bathroom mat; and,

FIG. 3 is a top view of the mat.

See application file for complete search history.

The bottom of the mat is flat.

(56) **References Cited**

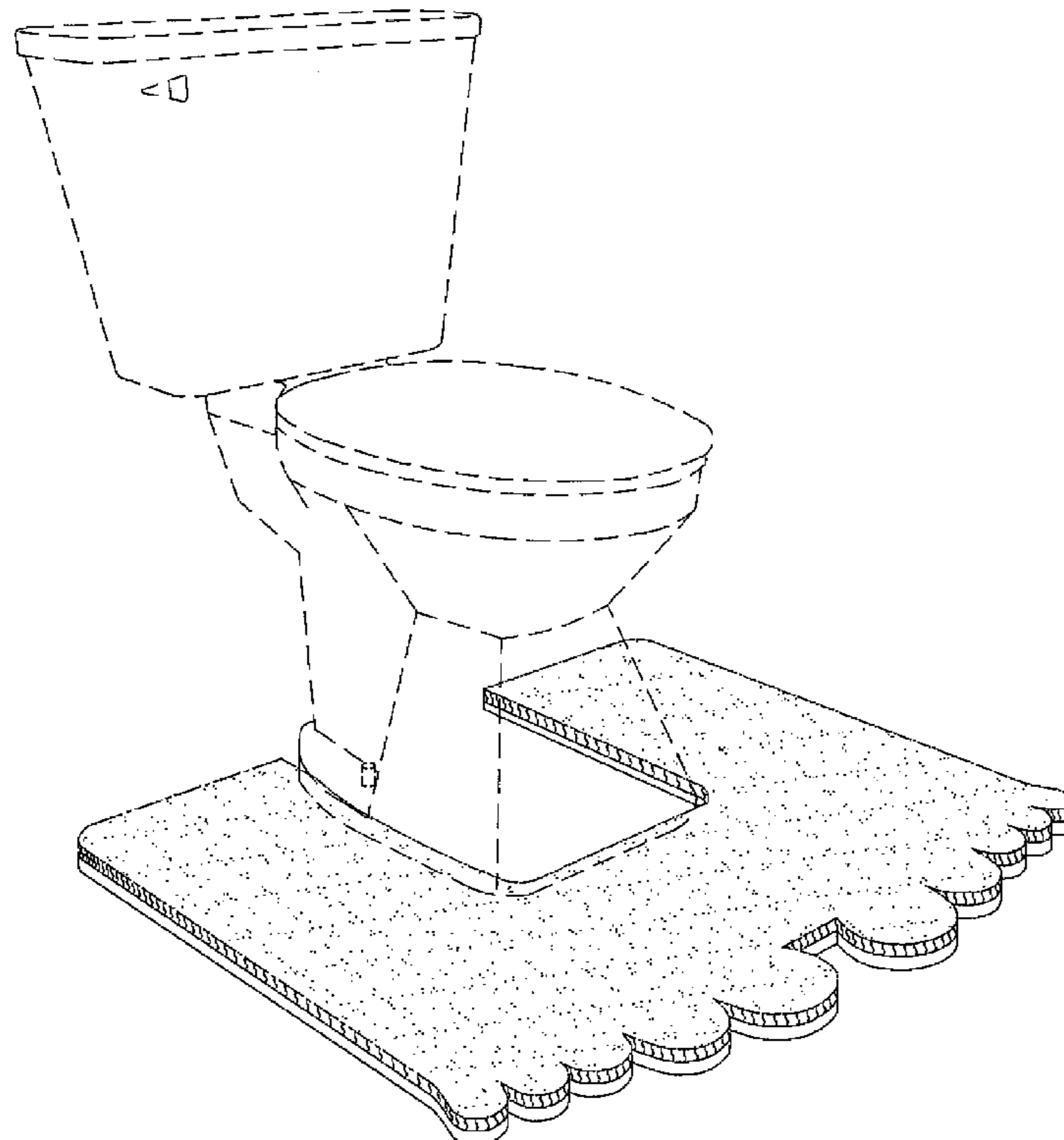
The pattern shown on the top of the mat represents a conventional fabric and is understood to repeat uniformly throughout the mat.

U.S. PATENT DOCUMENTS

The broken line illustration is for illustrative purposes only and forms no part of the claimed design.

- D230,684 S * 3/1974 Warnberg D6/591
- D236,788 S * 9/1975 Warnberg D6/591
- D375,013 S * 10/1996 Wong D6/583
- D384,849 S * 10/1997 Lombardo D6/591

1 Claim, 3 Drawing Sheets



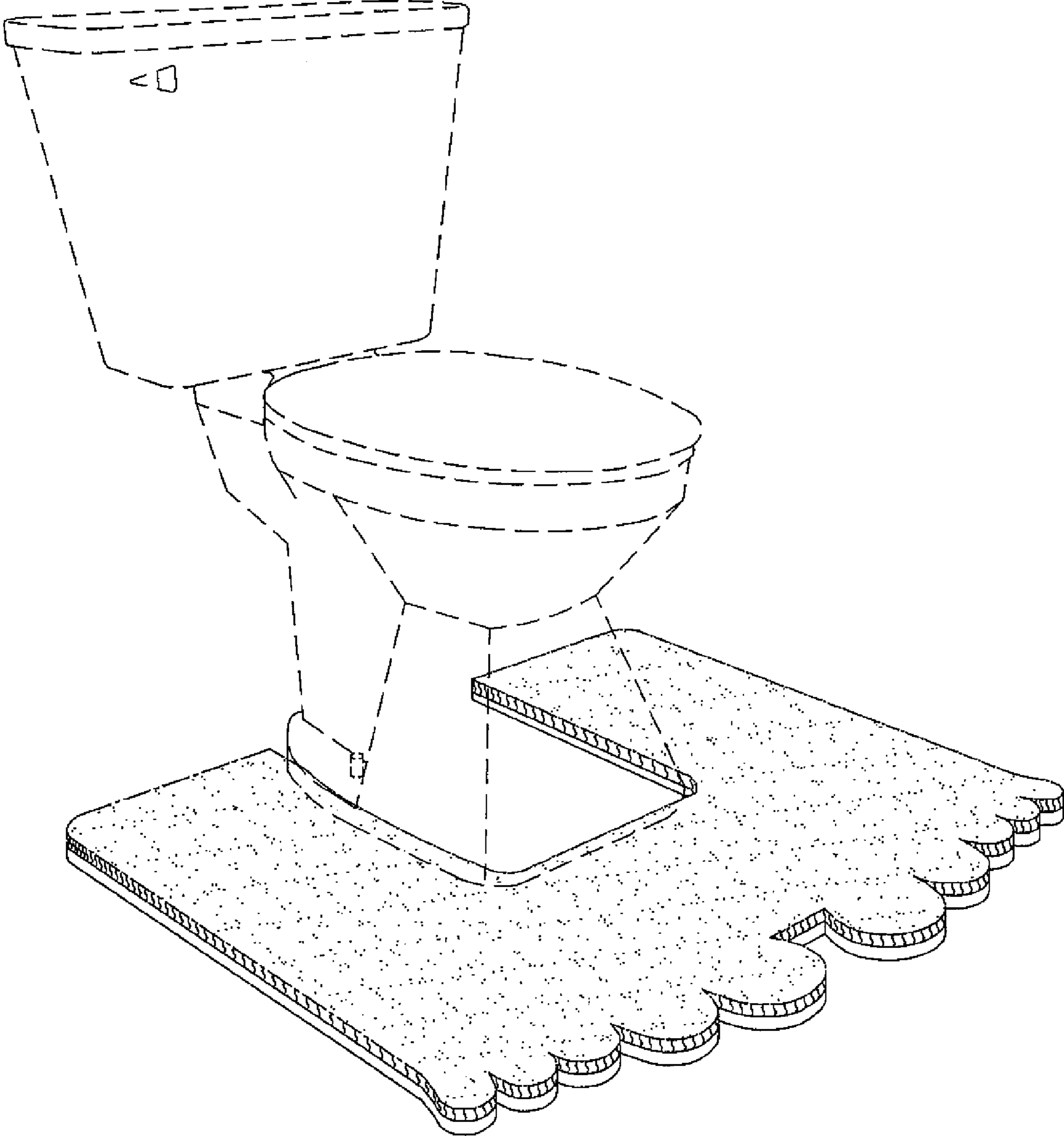


FIG. 1

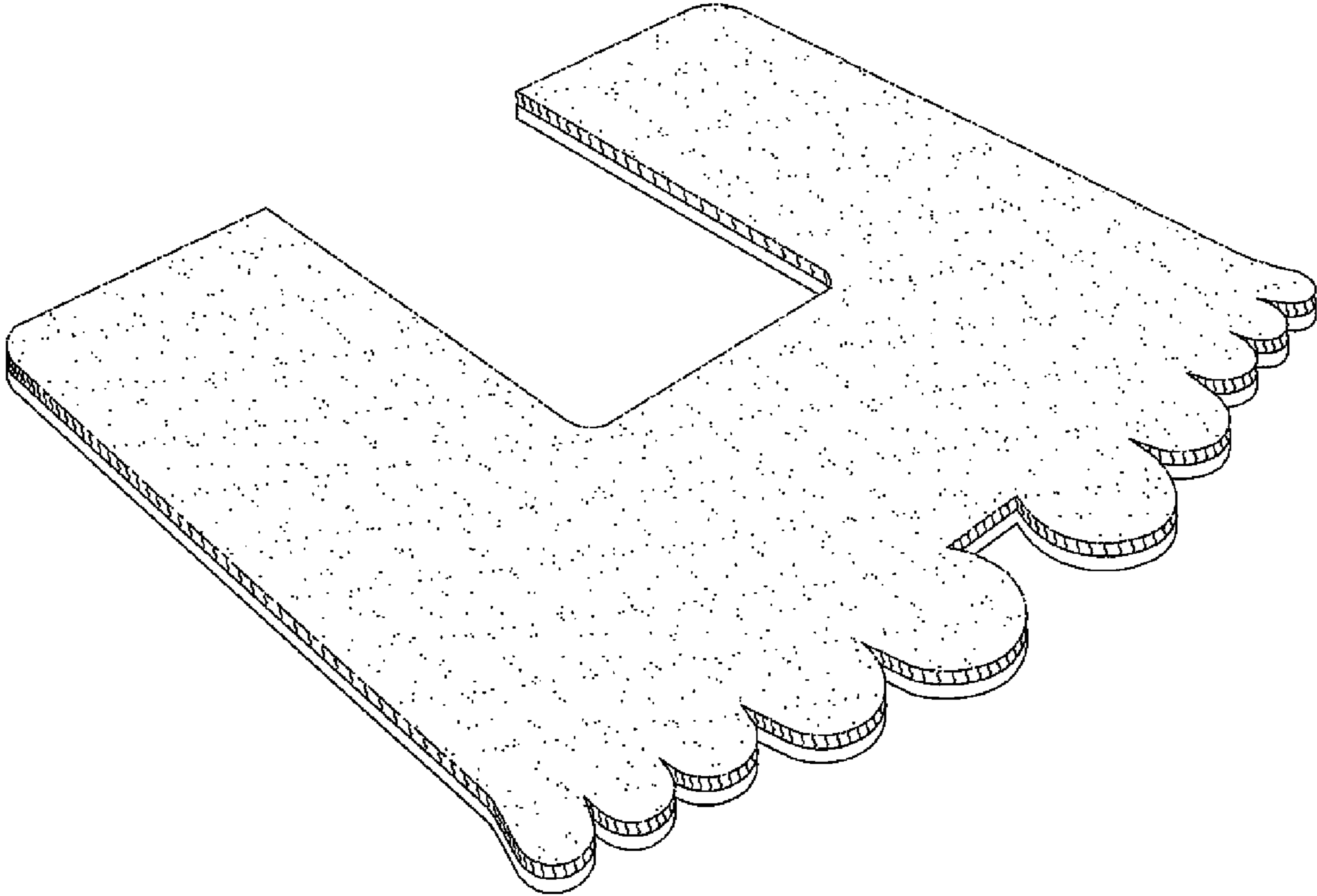


FIG. 2

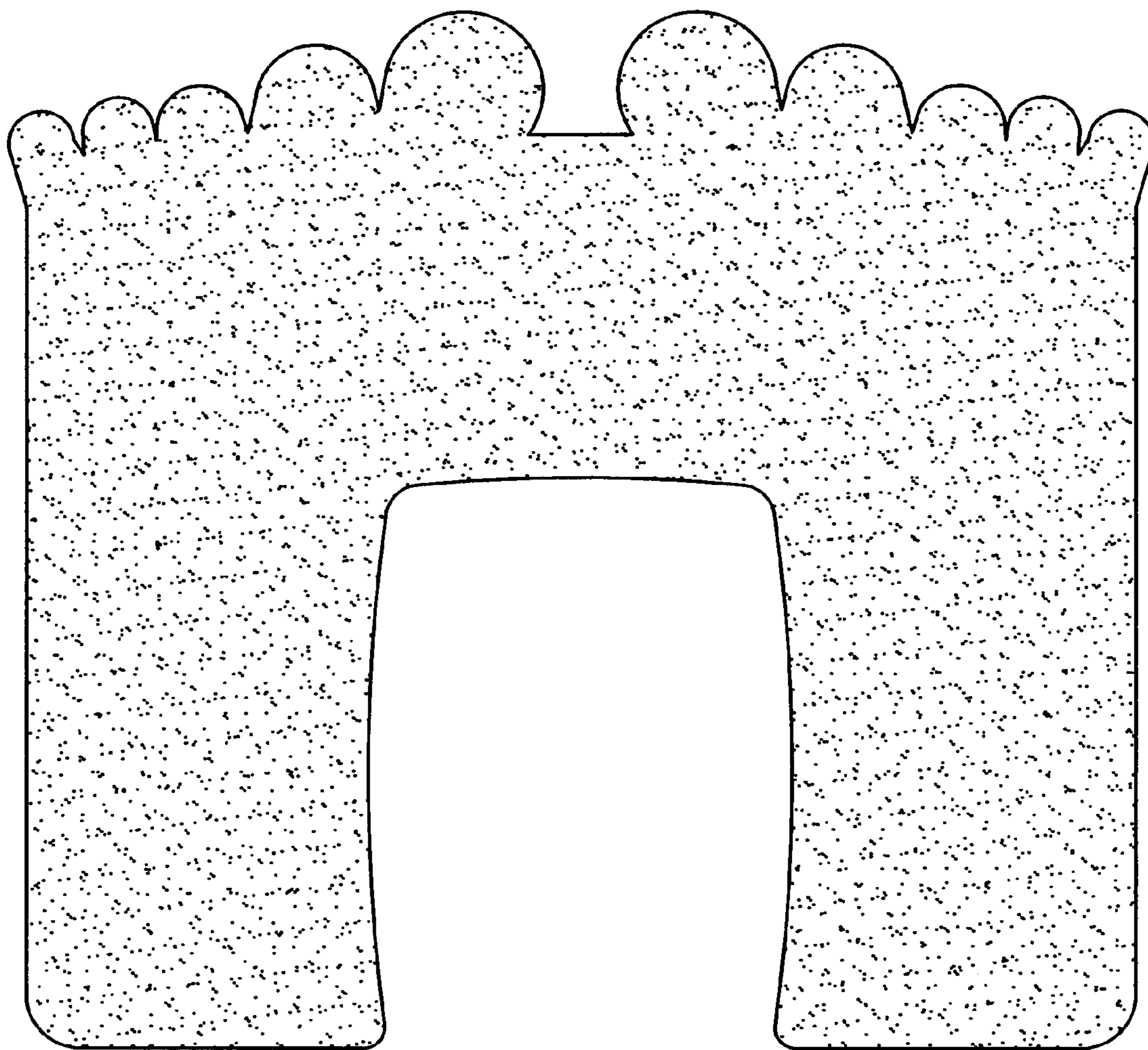


FIG 3