



US00D626772S

(12) **United States Design Patent**
Chou

(10) **Patent No.:** **US D626,772 S**

(45) **Date of Patent:** **** Nov. 9, 2010**

(54) **TILT ROD FOR A CONTROL SYSTEM FOR WINDOW COVERING**

D506,096 S * 6/2005 Allsopp D6/580
D525,468 S * 7/2006 Smederod D6/580

(76) **Inventor:** **Tser Wen Chou**, 1A, 3F, No. 176,
Jiankang Road, Taipei City (TW)

* cited by examiner

Primary Examiner—Robert M Spear

Assistant Examiner—Barbara B Lohr

(74) *Attorney, Agent, or Firm*—Ming Chow Sinorica, LLC

(**) **Term:** **14 Years**

(21) **Appl. No.:** **29/346,741**

(57) **CLAIM**

(22) **Filed:** **Nov. 5, 2009**

The ornamental design for a tilt rod for a control system for window covering, as shown and described.

(51) **LOC (9) Cl.** **06-10**

(52) **U.S. Cl.** **D6/580**

(58) **Field of Classification Search** D6/577,
D6/580, 582; D8/376, 382; 160/84.07, 126,
160/168.1 R, 168.1 V, 177, 307, 321, 323.1;
D25/120, 122; 470/19; 156/256; 182/194;
165/183; 92/169.1; 52/836

DESCRIPTION

See application file for complete search history.

FIG. 1 is an enlarged fragmentary perspective view of a tilt rod for a control system for window covering;

FIG. 2 is an enlarged fragmentary front view thereof;

FIG. 3 is a rear view thereof;

FIG. 4 is a left side view thereof;

FIG. 5 is a right side view thereof;

FIG. 6 is a top view thereof;

FIG. 7 is a bottom view thereof; and,

FIG. 8 is an isometric view of a tilt rod for a control system for window covering.

In FIGS. 1 through 8, one end of the tilt rod is shown broken away to indicate that no specific length is claimed.

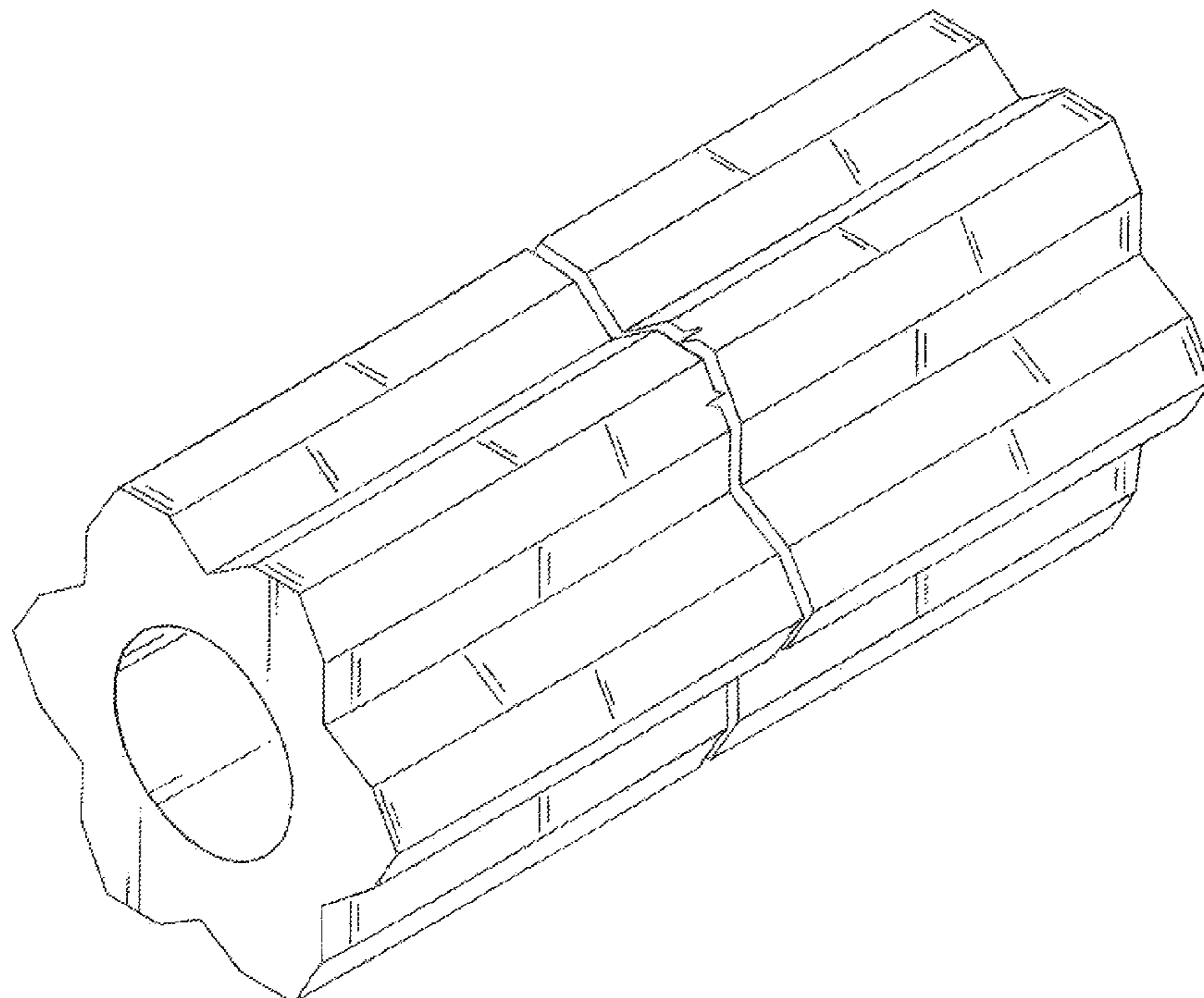
The broken lines in FIG. 8 represent unclaimed environment and form no part of the claimed design.

(56) **References Cited**

U.S. PATENT DOCUMENTS

1,674,986	A *	6/1928	Norwood	470/19
2,099,126	A *	11/1937	Larsen	156/256
2,951,550	A *	9/1960	Rich	182/194
3,002,729	A *	10/1961	Welsh	165/183
3,439,586	A *	4/1969	Holtan et al.	92/169.1
D397,572	S *	9/1998	Anderson	D6/580
5,904,198	A *	5/1999	Huang	160/168.1 R
6,196,293	B1 *	3/2001	Lee	160/168.1 V
D446,415	S *	8/2001	Anderson	D6/580
6,446,411	B2 *	9/2002	Natelli, Jr.	52/836
6,516,860	B1 *	2/2003	Weaver et al.	160/168.1 R

1 Claim, 5 Drawing Sheets



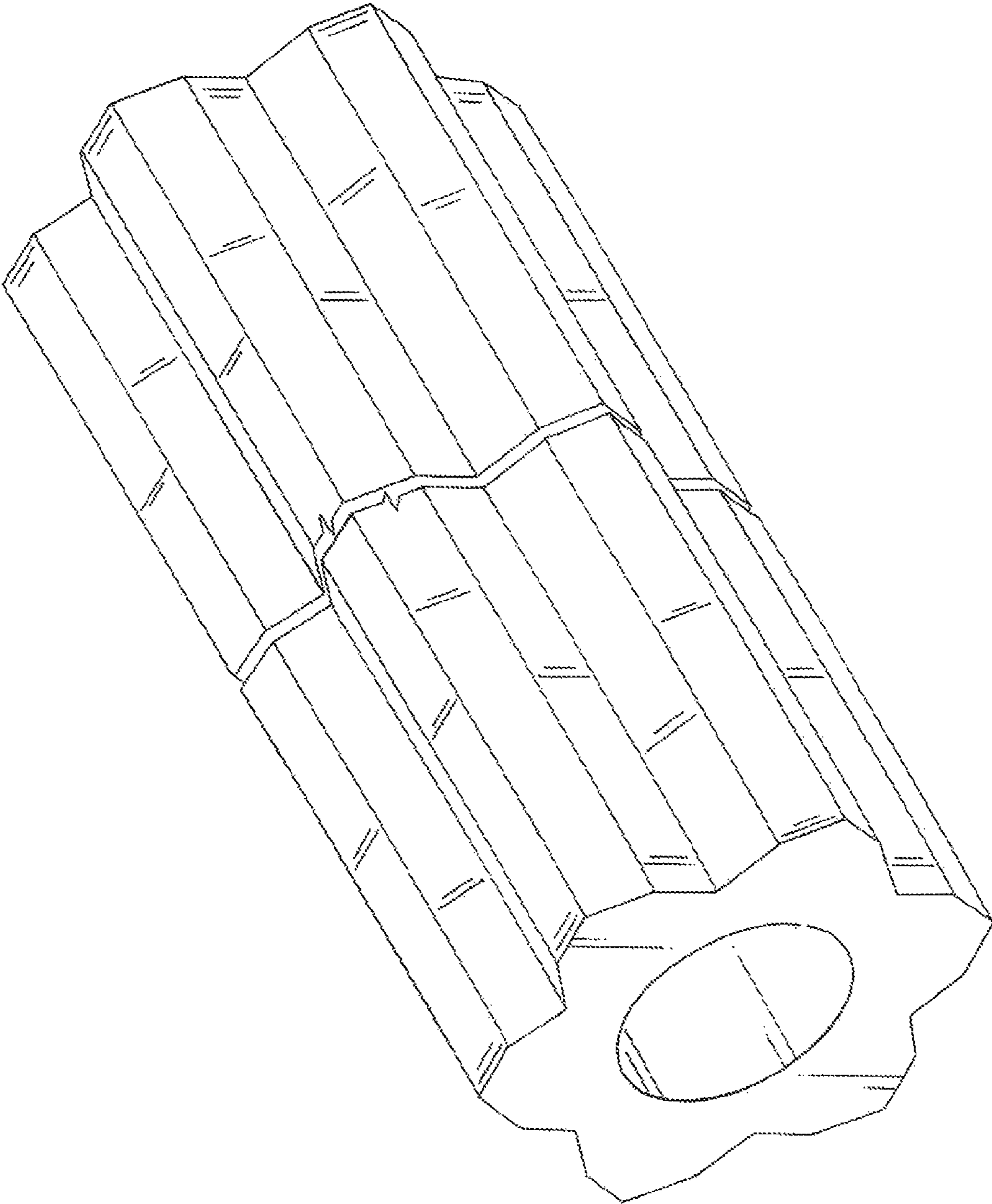


FIG 1

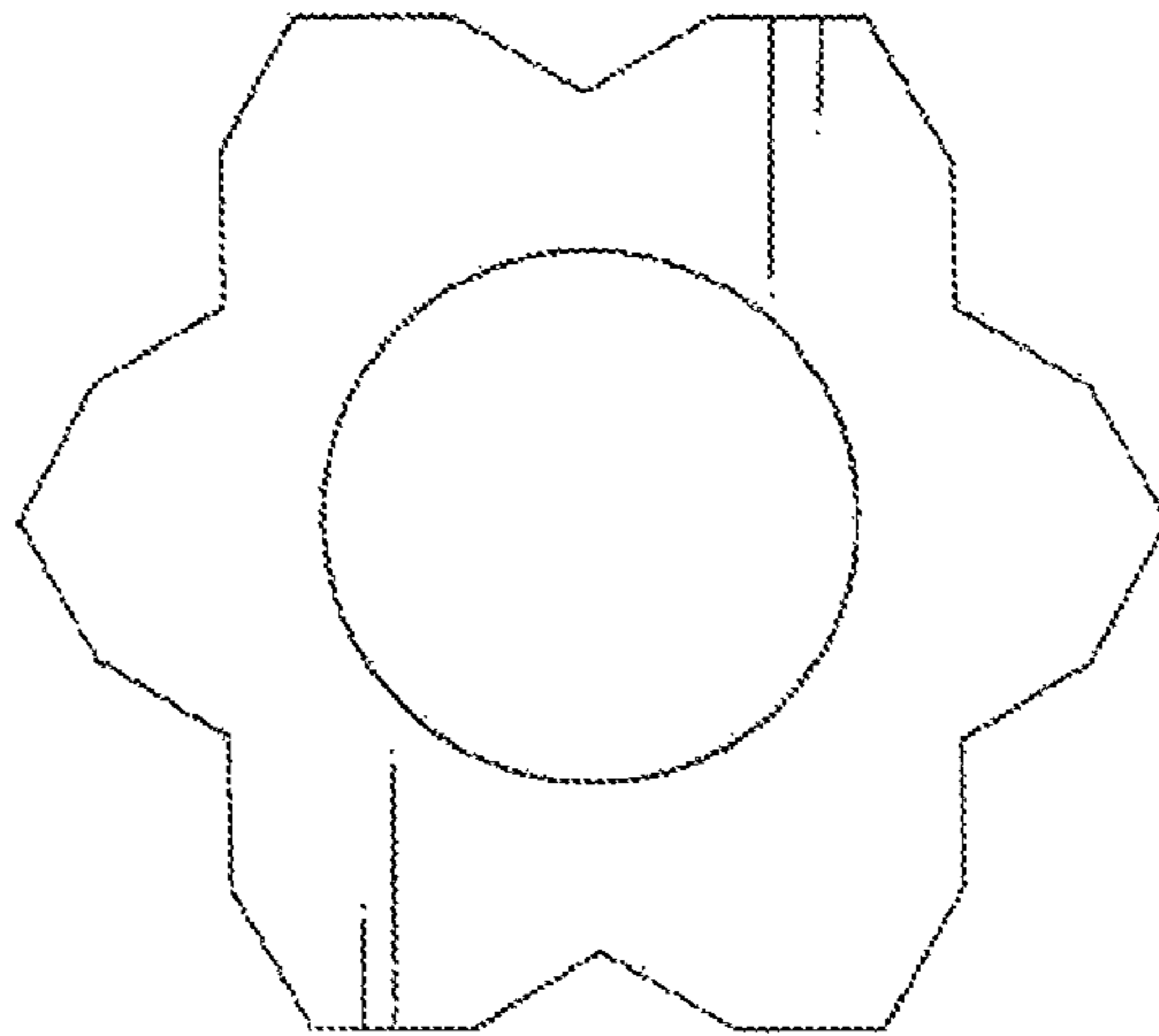


FIG 2

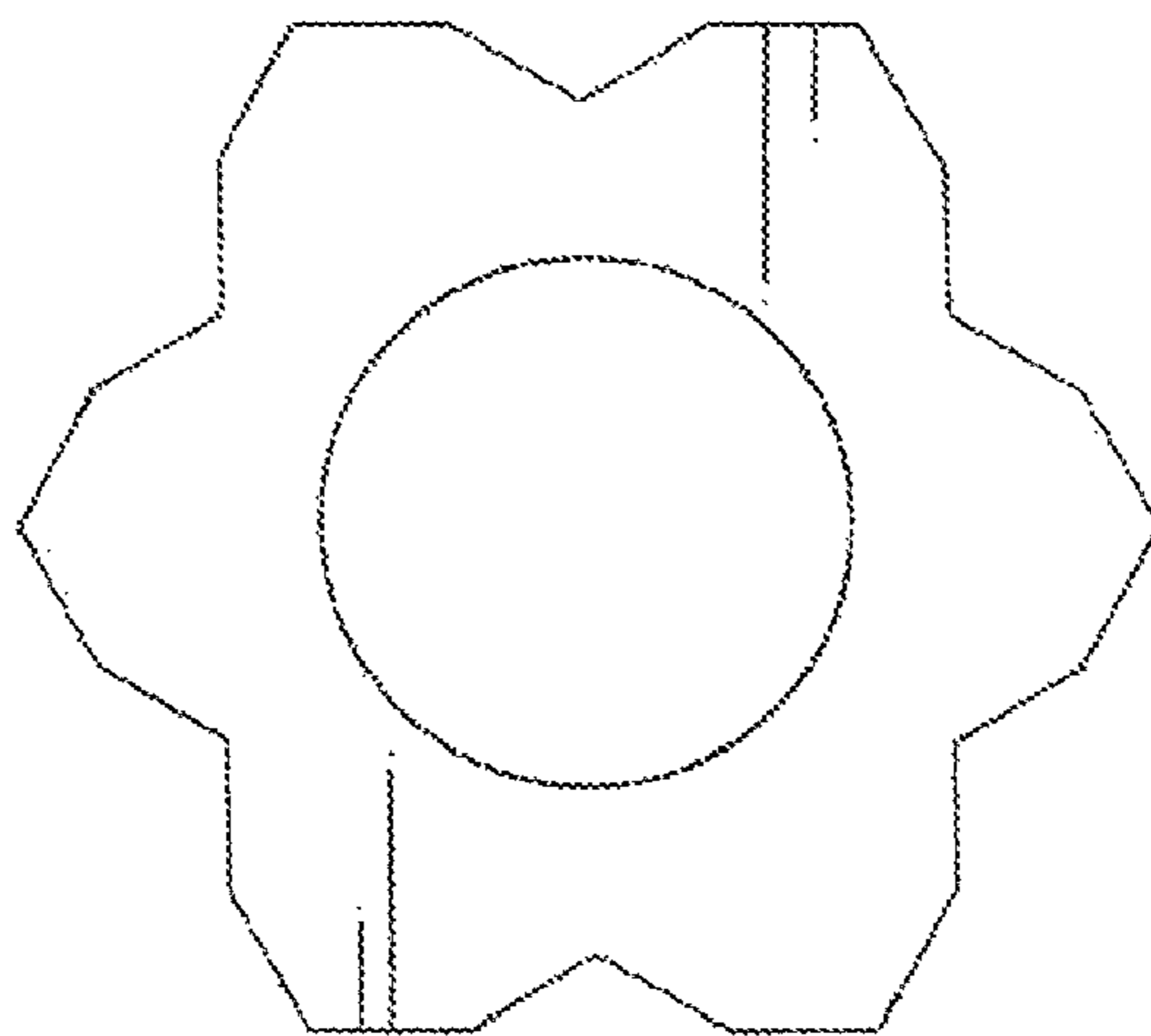


FIG 3

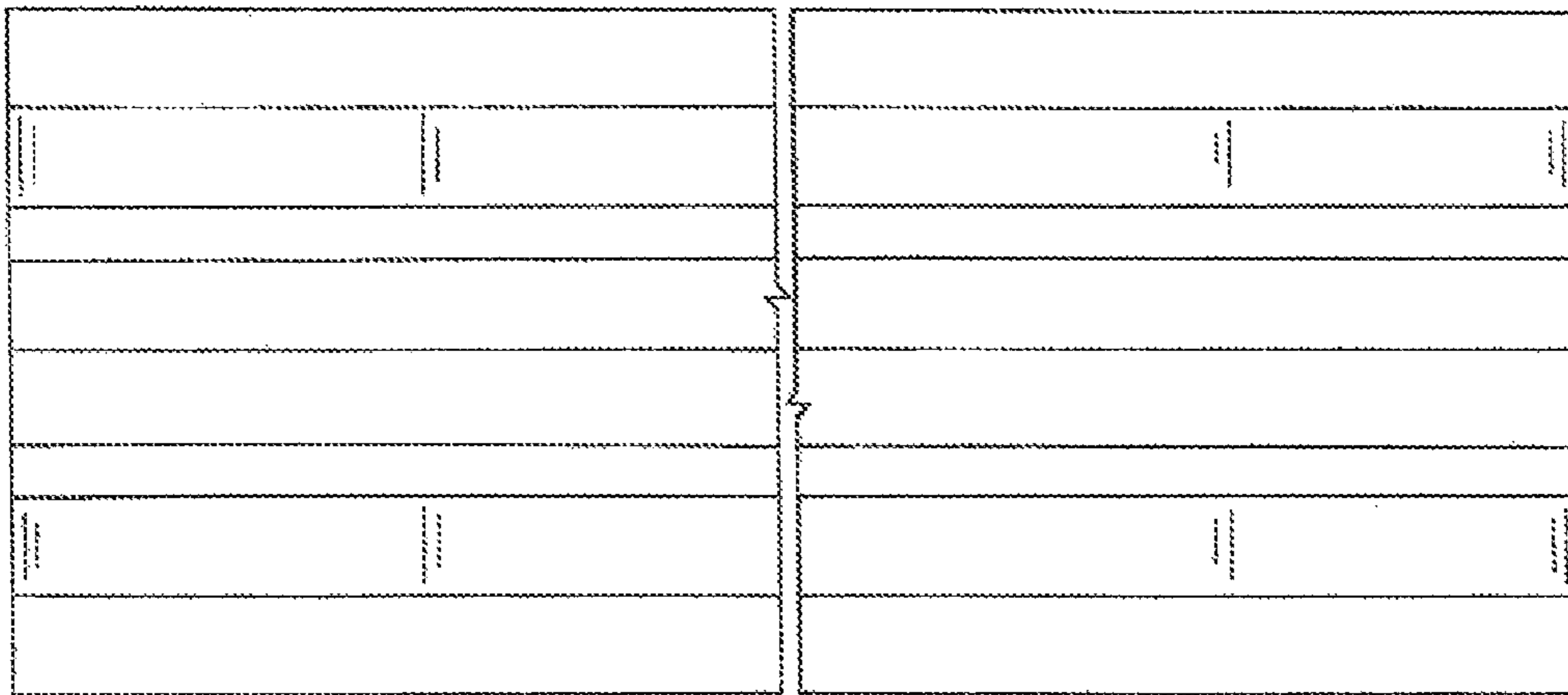


FIG 4

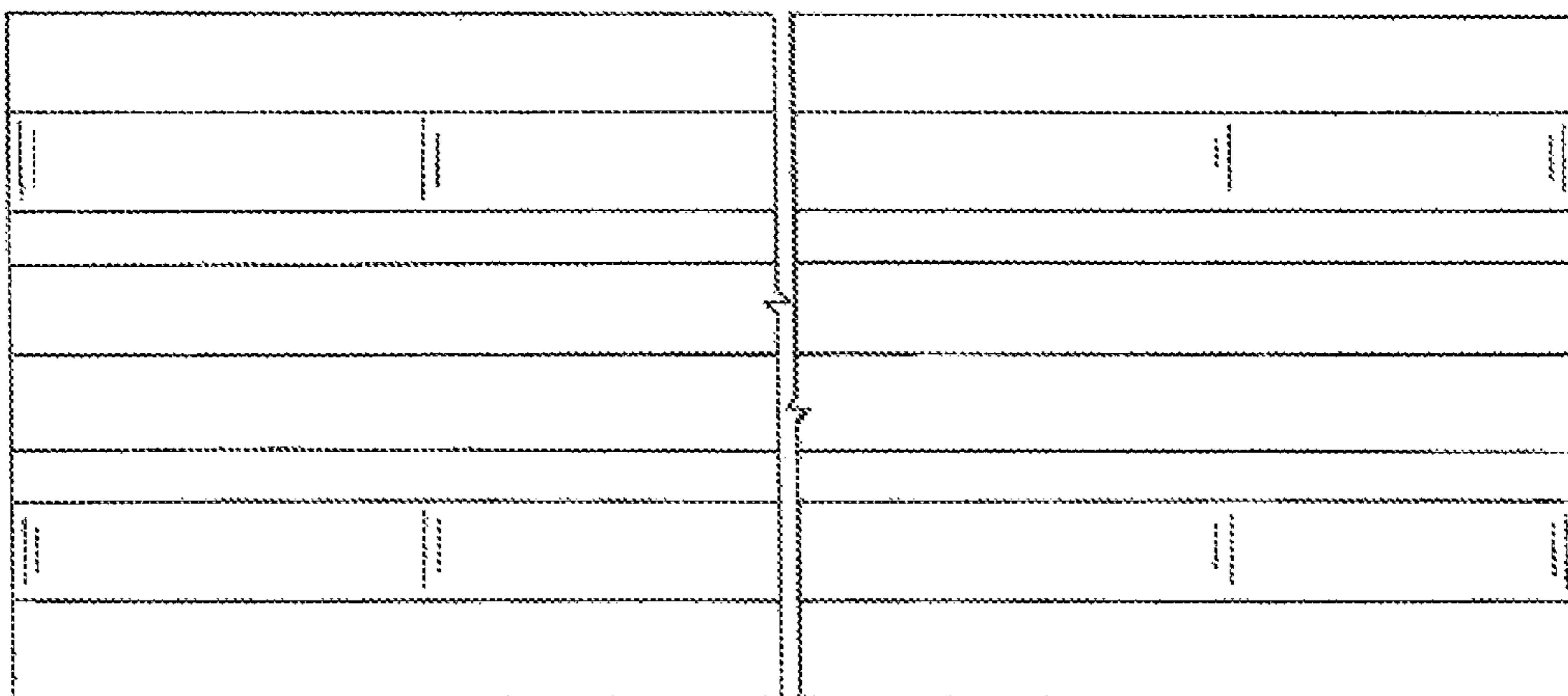


FIG 5

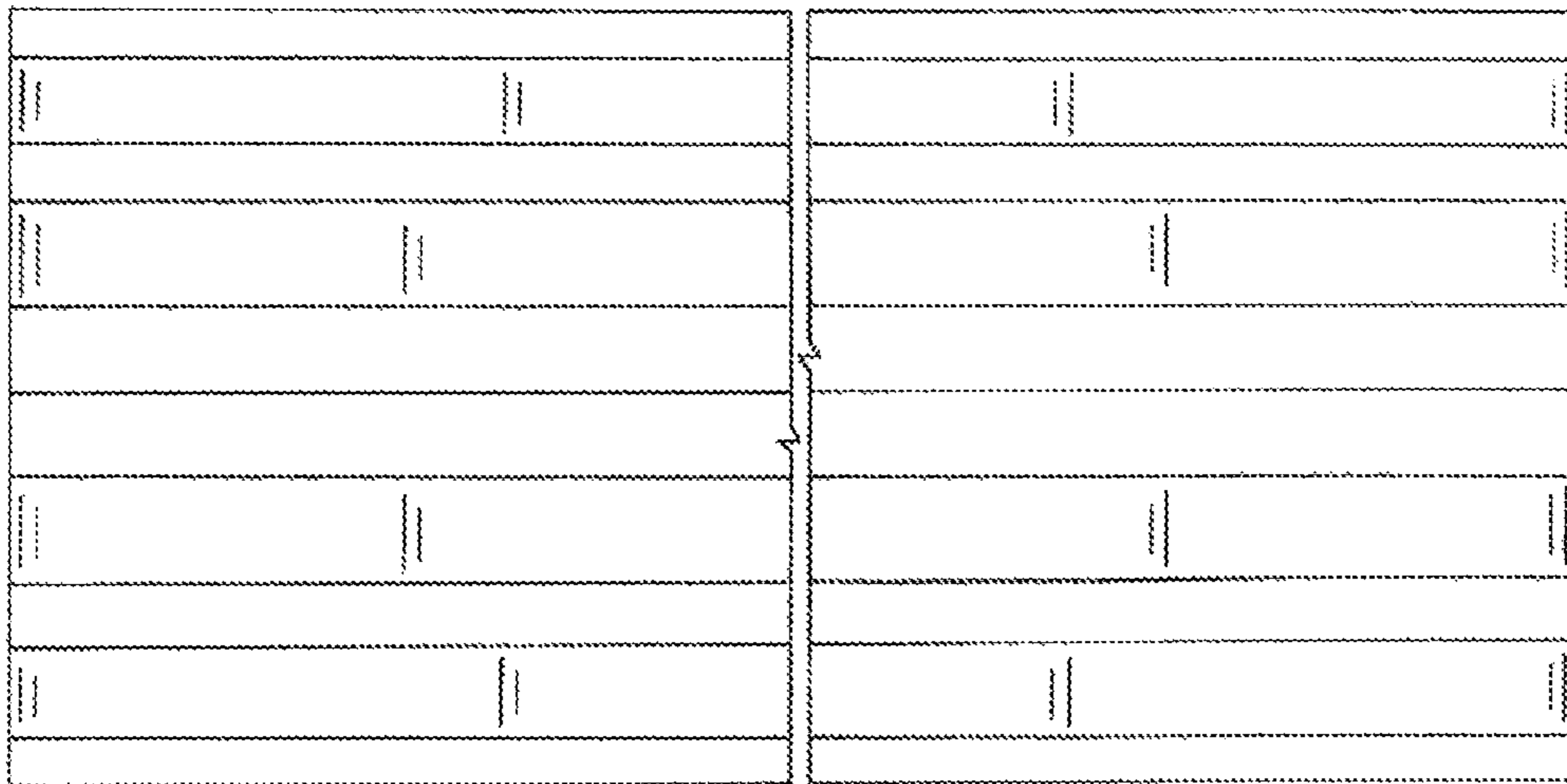


FIG 7

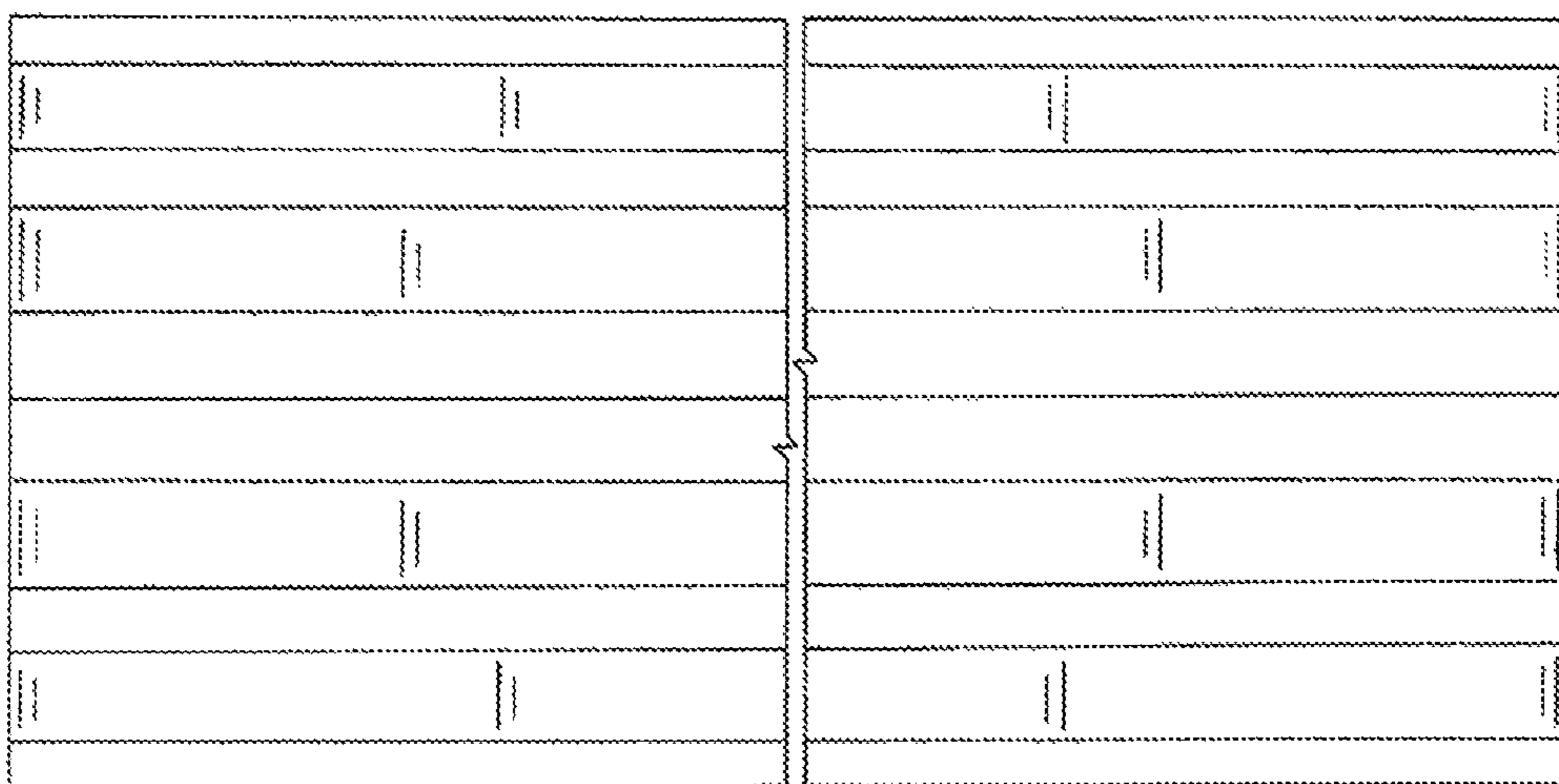


FIG 6

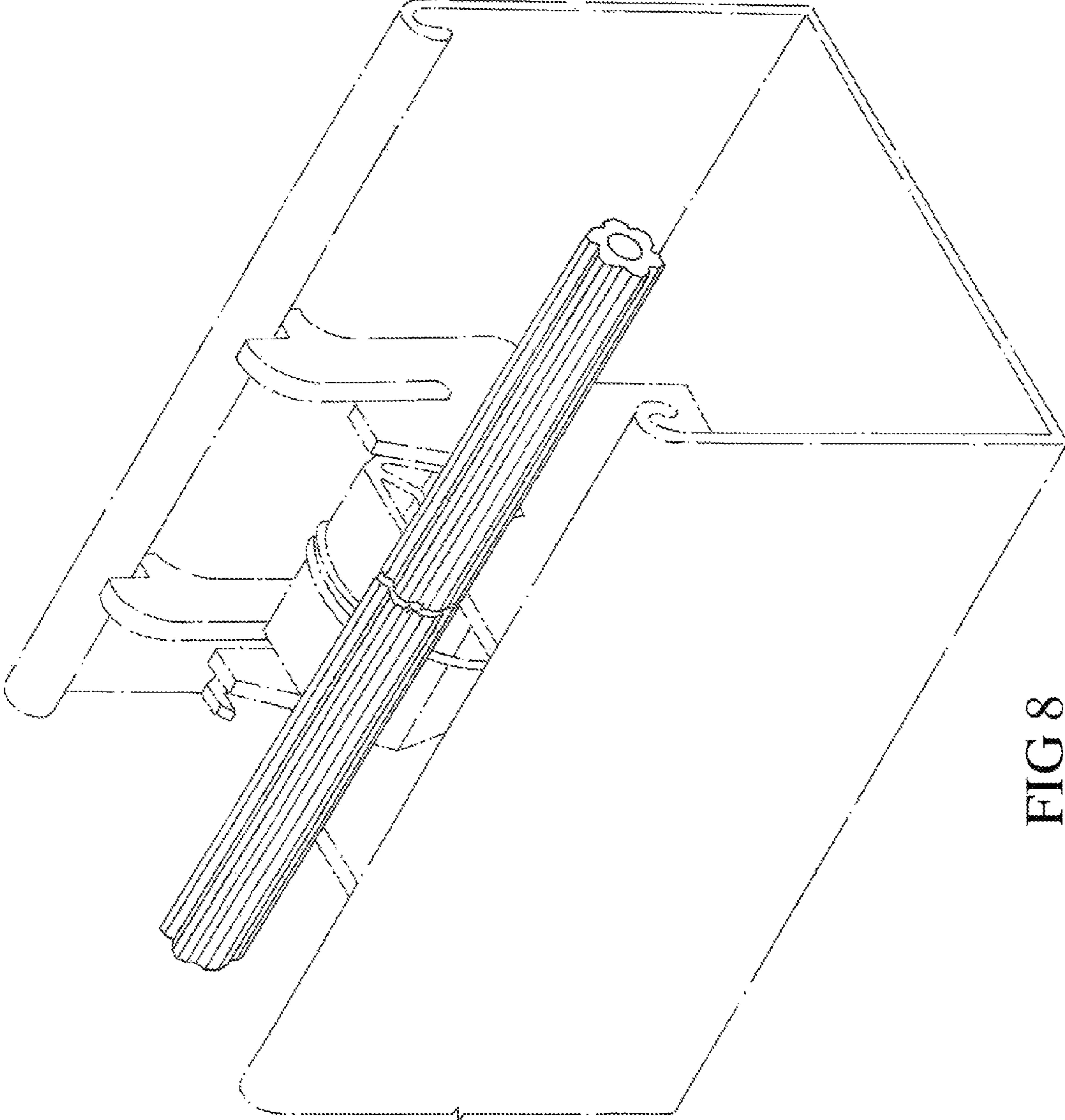


FIG 8