



US00D626771S

(12) **United States Design Patent**  
**Shek**

(10) **Patent No.:** **US D626,771 S**

(45) **Date of Patent:** **\*\* Nov. 9, 2010**

(54) **PAPER DISPENSER**

(76) Inventor: **Michael Shek**, 1081 Shoal Dr., San Mateo, CA (US) 94404

(\*\*) Term: **14 Years**

(21) Appl. No.: **29/344,768**

(22) Filed: **Oct. 4, 2009**

(51) **LOC (9) Cl.** ..... **20-02**

(52) **U.S. Cl.** ..... **D6/521**

(58) **Field of Classification Search** ..... D6/518-523;  
206/389, 391; 211/13.1, 59.1, 45, 890.1;  
242/570, 590, 597.7; 248/309.1, 309.2

See application file for complete search history.

(56) **References Cited**

**U.S. PATENT DOCUMENTS**

D518,985 S *	4/2006	Yang et al.	.....	D6/521
D528,836 S *	9/2006	Petersen-Rutten	.....	D6/521
D562,042 S *	2/2008	Shek	.....	D6/521
D570,143 S *	6/2008	Bigelow	.....	D6/520
D577,527 S *	9/2008	Yu	.....	D6/521

D609,949 S \* 2/2010 Yang et al. .... D6/521

\* cited by examiner

*Primary Examiner*—Brian N Vinson

(74) *Attorney, Agent, or Firm*—Banger Shia

(57) **CLAIM**

I claim the ornamental design for a paper dispenser, as shown and described.

**DESCRIPTION**

FIG. 1 is a perspective view of a paper dispenser;

FIG. 2 is a front view thereof;

FIG. 3 is a rear view thereof;

FIG. 4 is a left view thereof;

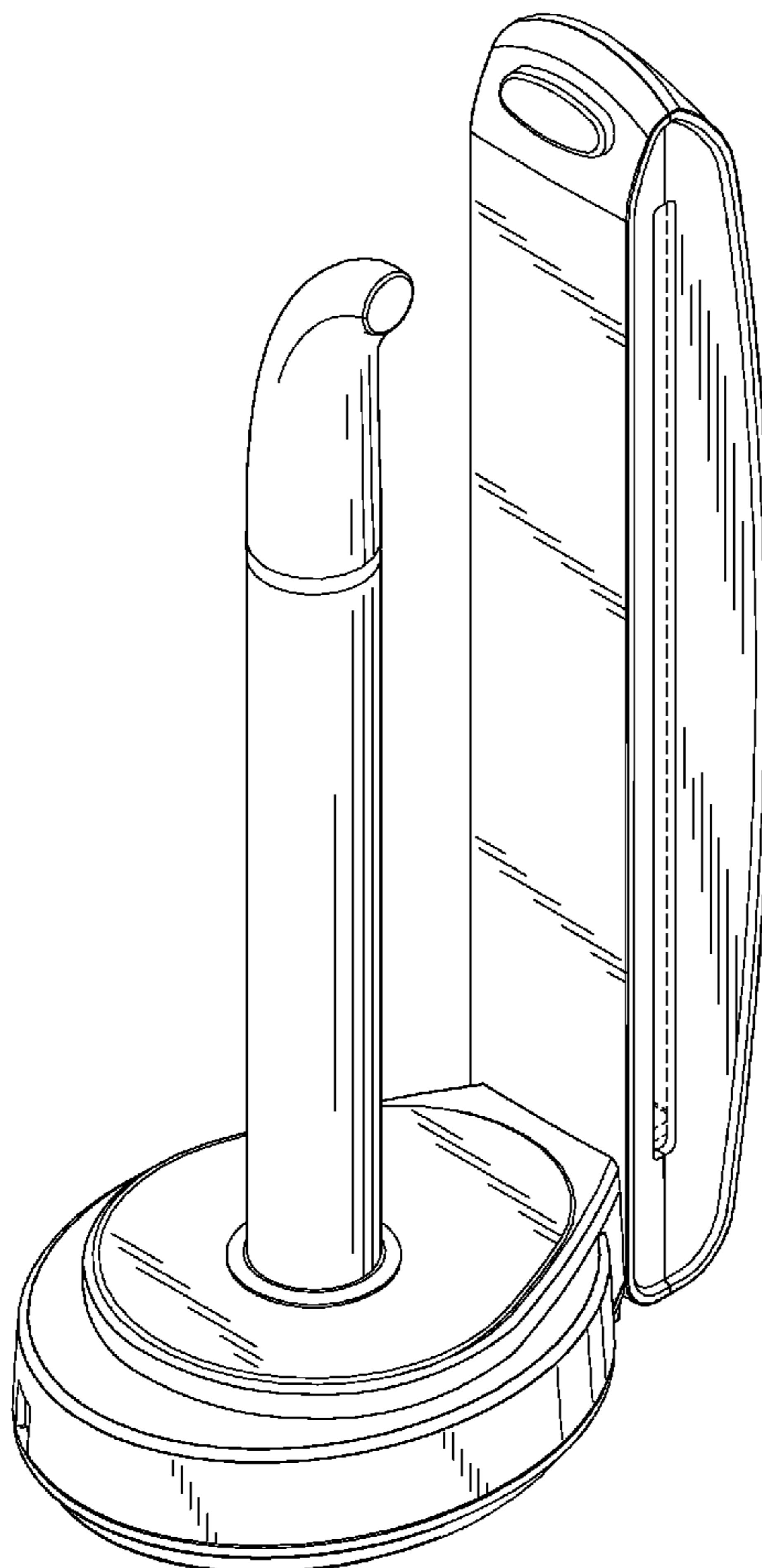
FIG. 5 is a right view thereof;

FIG. 6 is a top plan view thereof; and,

FIG. 7 is a bottom plan view thereof.

The broken-line disclosure in the views is understood to represent portions of the article in which the claimed design is embodied, but which form no part of the claimed design.

**1 Claim, 6 Drawing Sheets**



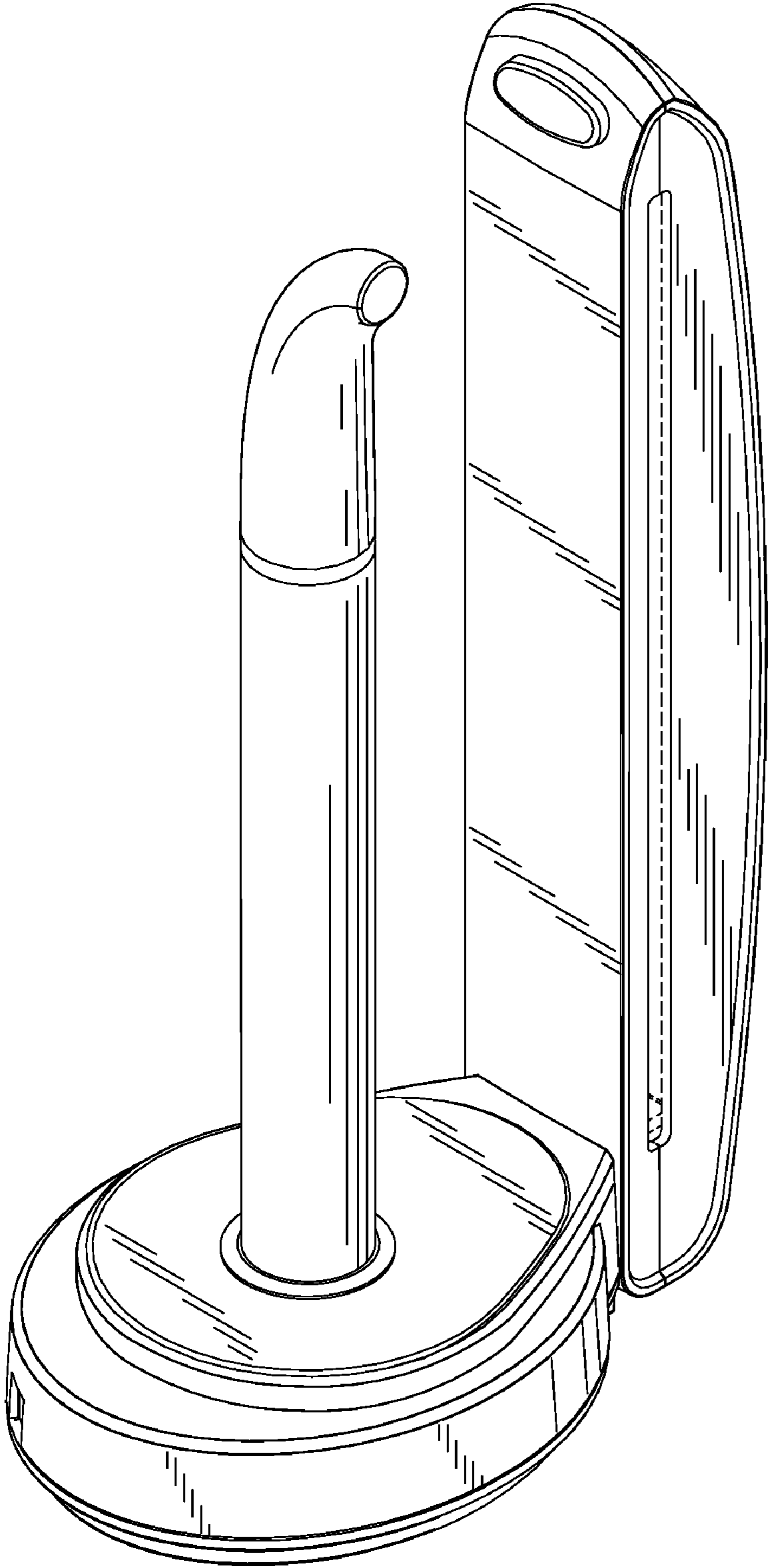


FIG. 1

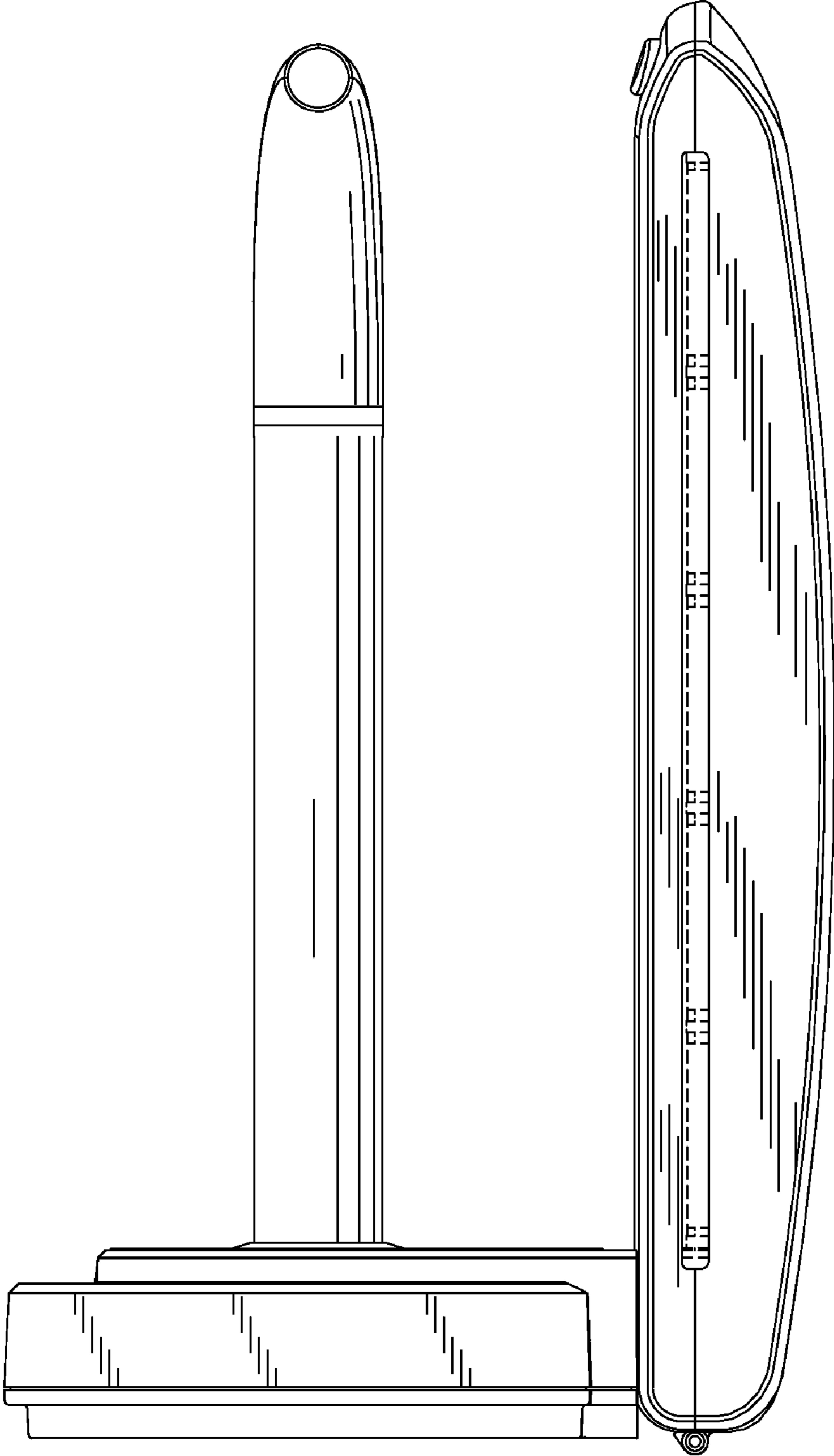


FIG. 2

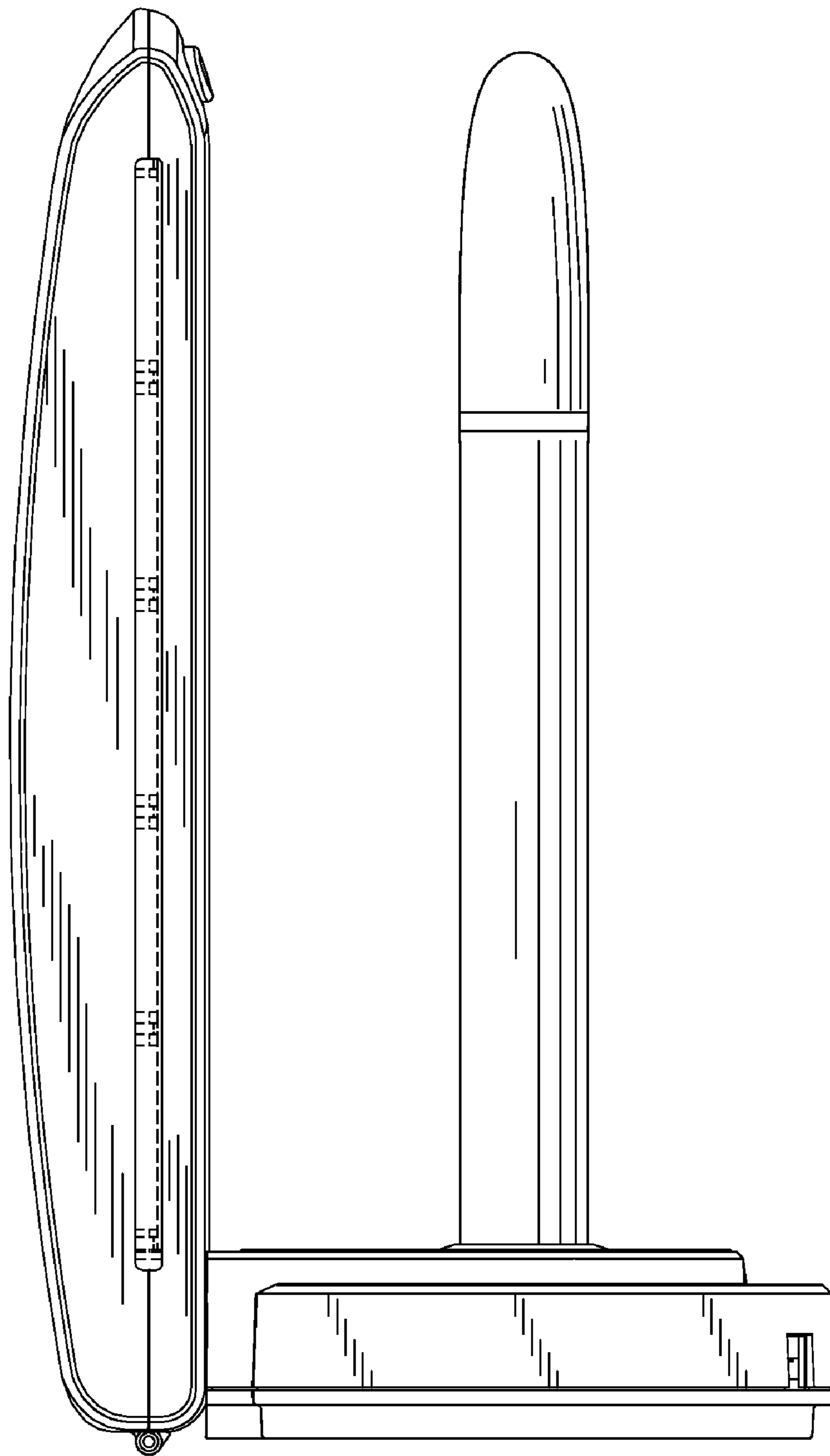


FIG. 3

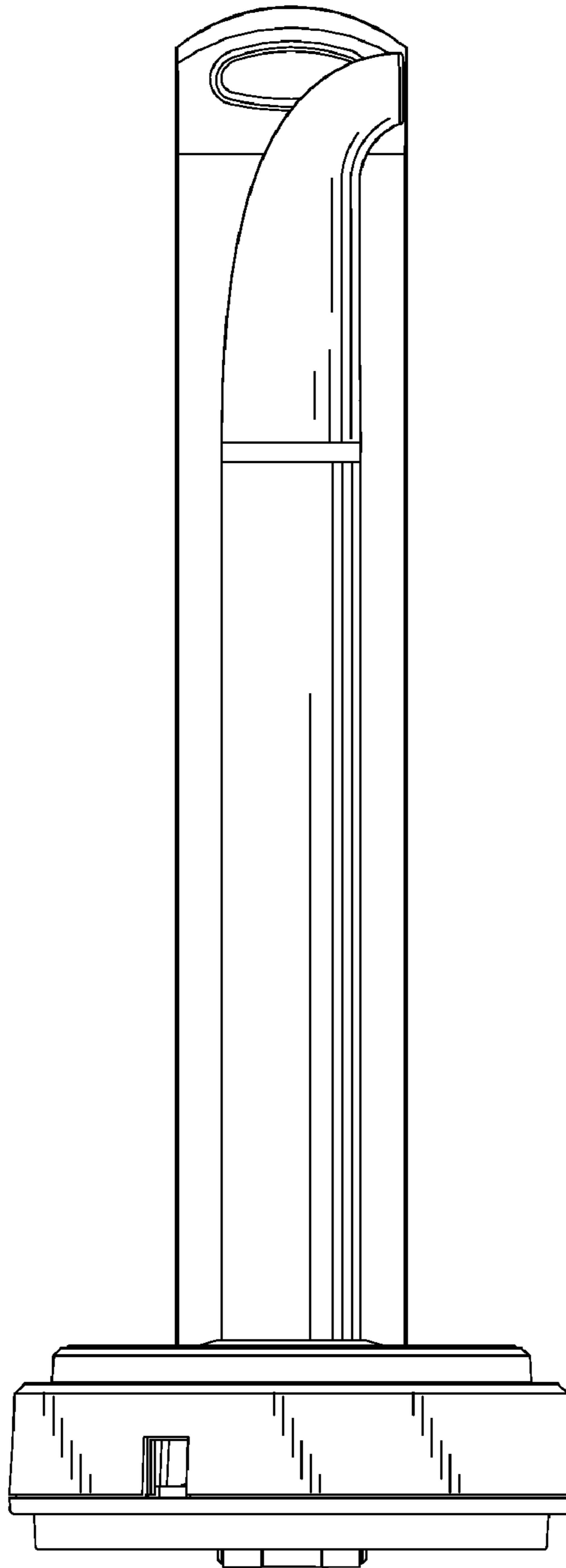


FIG. 4

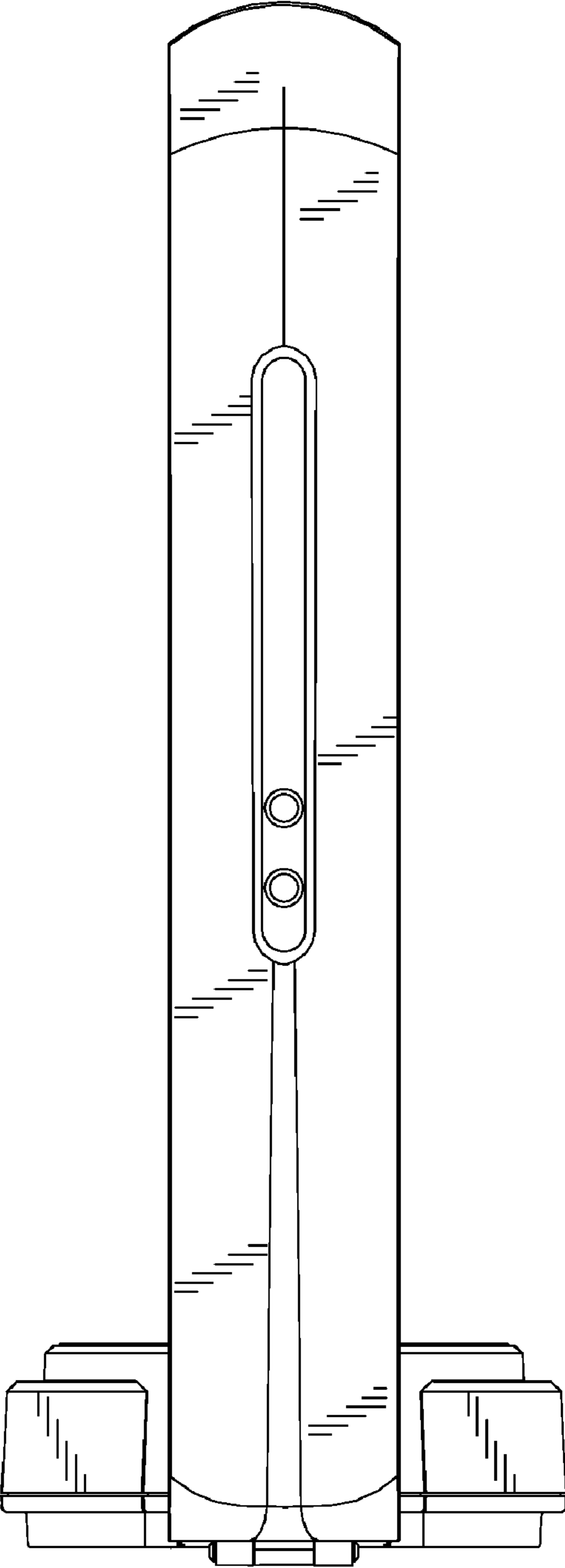


FIG. 5

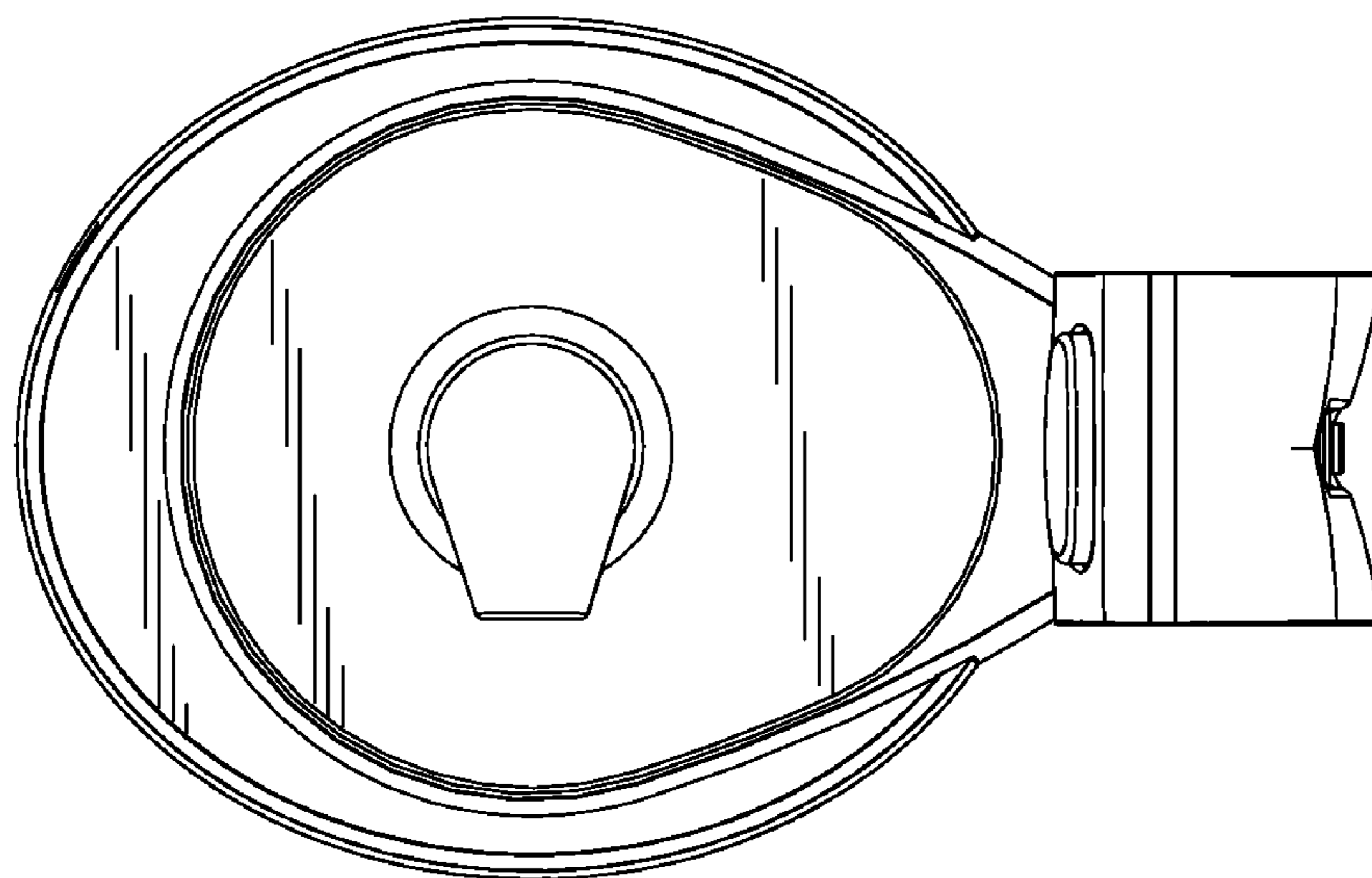


FIG. 6

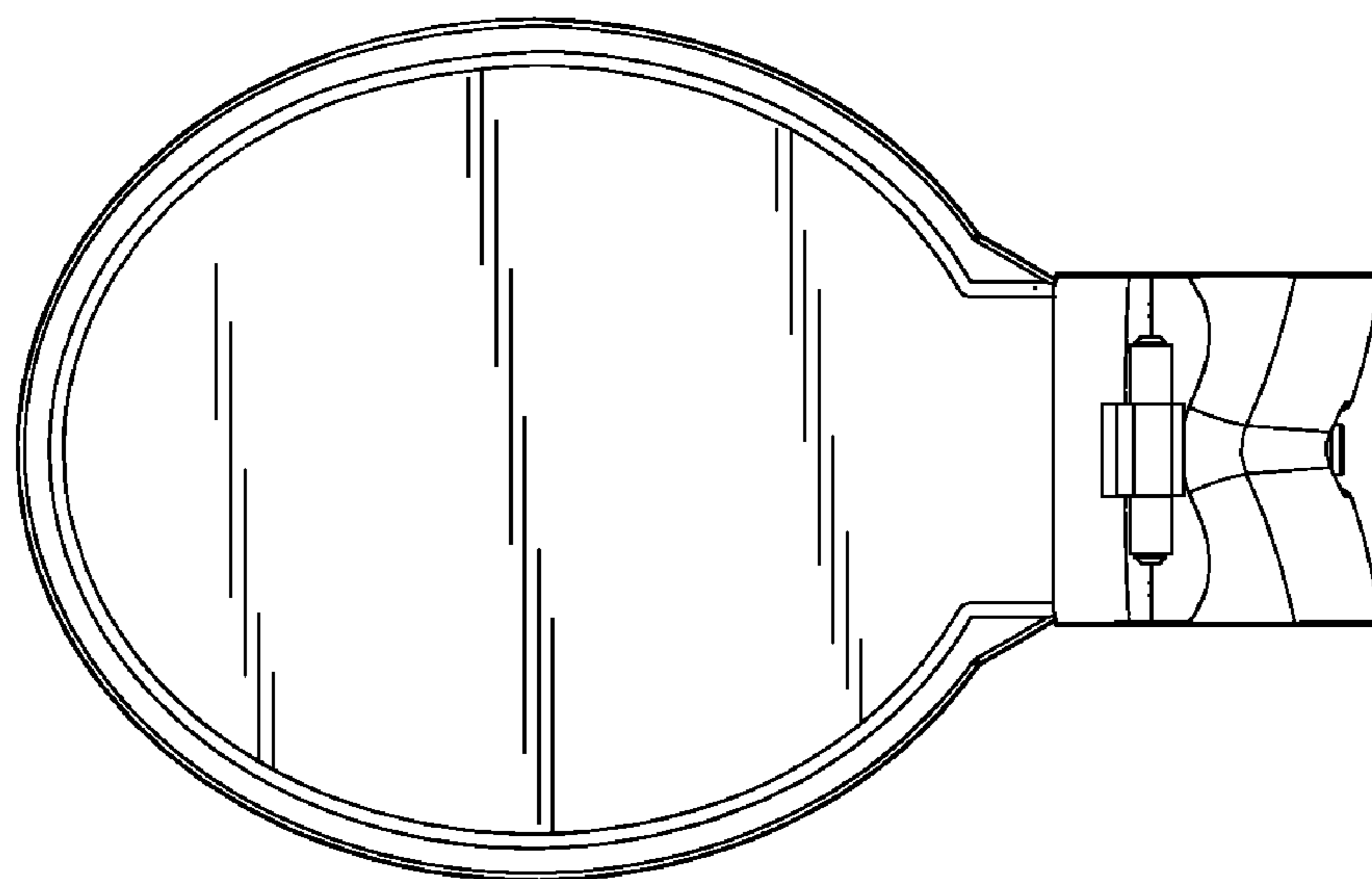


FIG. 7