



US00D626767S

(12) **United States Design Patent**
Lucci et al.

(10) **Patent No.:** **US D626,767 S**
(45) **Date of Patent:** **** Nov. 9, 2010**

(54) **FOLDABLE AND NESTABLE TABLE**

(75) Inventors: **Roberto Lucci**, Lomazzo (IT); **Paolo Orlandini**, Sedriano (IT)

(73) Assignee: **Ditto Sales, Inc.**, Jasper, IN (US)

(**) Term: **14 Years**

(21) Appl. No.: **29/340,934**

(22) Filed: **Jul. 28, 2009**

Related U.S. Application Data

(63) Continuation-in-part of application No. 29/340,212, filed on Jul. 15, 2009.

(51) **LOC (9) Cl.** **06-06**

(52) **U.S. Cl.** **D6/495**

(58) **Field of Classification Search** D6/480-489,
D6/511, 495-499, 429-431; 108/150, 152,
108/153.1, 157.1, 161, 2, 115, 124; 248/188,
248/188.1, 188.7, 188.8

See application file for complete search history.

(56) **References Cited**

U.S. PATENT DOCUMENTS

- D179,830 S * 3/1957 Wilson D6/429
- D441,572 S * 5/2001 Deimen et al. D6/480
- D507,902 S * 8/2005 Cioncada D6/480
- D552,883 S * 10/2007 Saotome D6/480
- D552,884 S * 10/2007 Saotome D6/480

D552,885 S * 10/2007 Saotome D6/480

* cited by examiner

Primary Examiner—Janice E Seeger

(74) *Attorney, Agent, or Firm*—Maginot, Moore & Beck LLP

(57) **CLAIM**

The ornamental design for a foldable and nestable table, as shown and described.

DESCRIPTION

FIG. 1 is a front perspective view of a foldable and nestable table showing our new design with the tabletop in its unfolded configuration;

FIG. 2 is a front perspective view of the design shown in FIG. 1 with the tabletop in its unfolded configuration;

FIG. 3 is a side elevational view of the design shown in FIG. 1, with the tabletop in its unfolded configuration, with the opposite side being a mirror image;

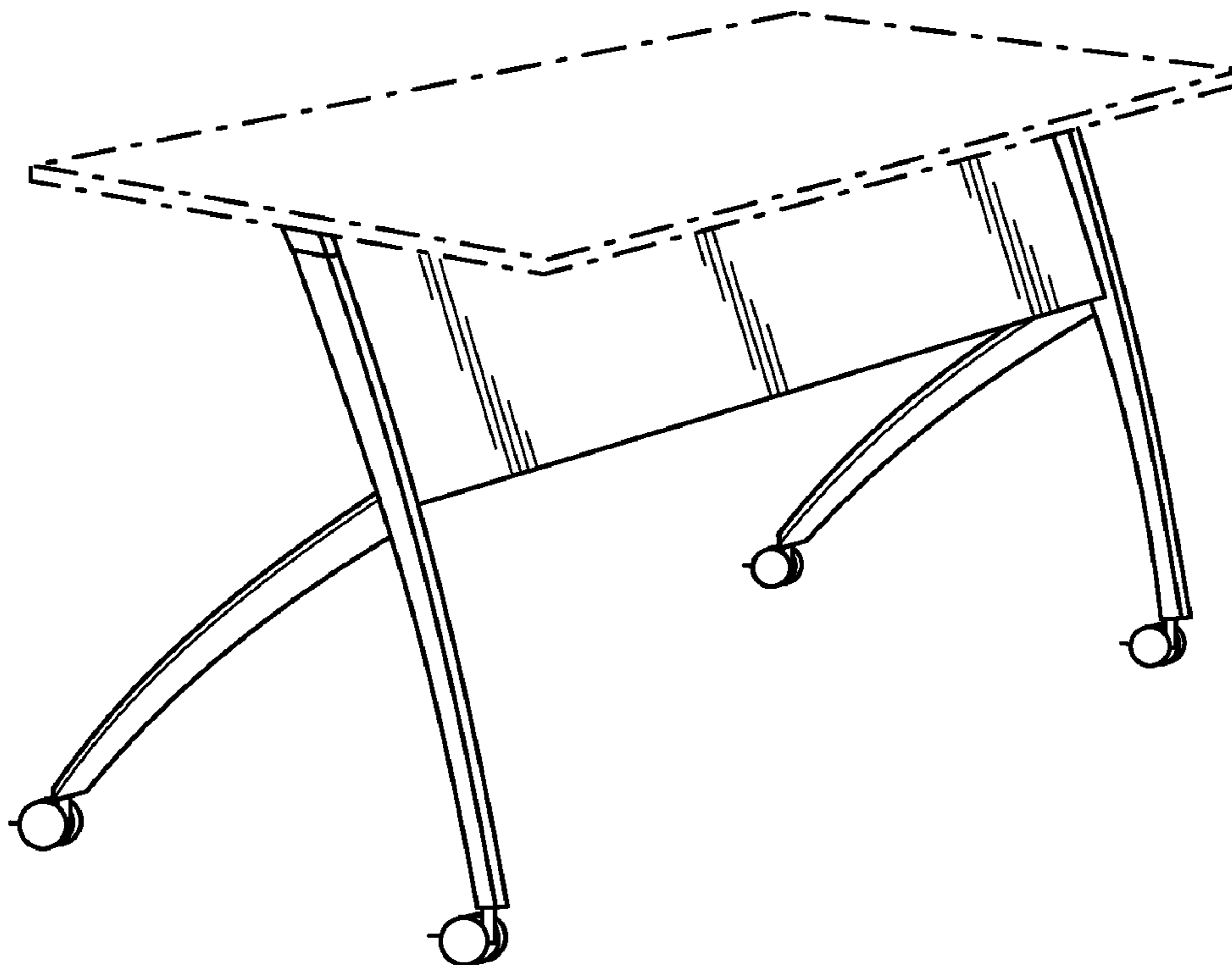
FIG. 4 is a front perspective view of a foldable and nestable table showing our new design with the tabletop in its folded configuration;

FIG. 5 is a front perspective view of the design shown in FIG. 4 with the tabletop in its folded configuration; and,

FIG. 6 is a side elevational view of the design shown in FIG. 4, with the tabletop in its folded configuration, with the opposite side being a mirror image.

The rear of the table, not shown, forms no part of the claimed design.

1 Claim, 2 Drawing Sheets



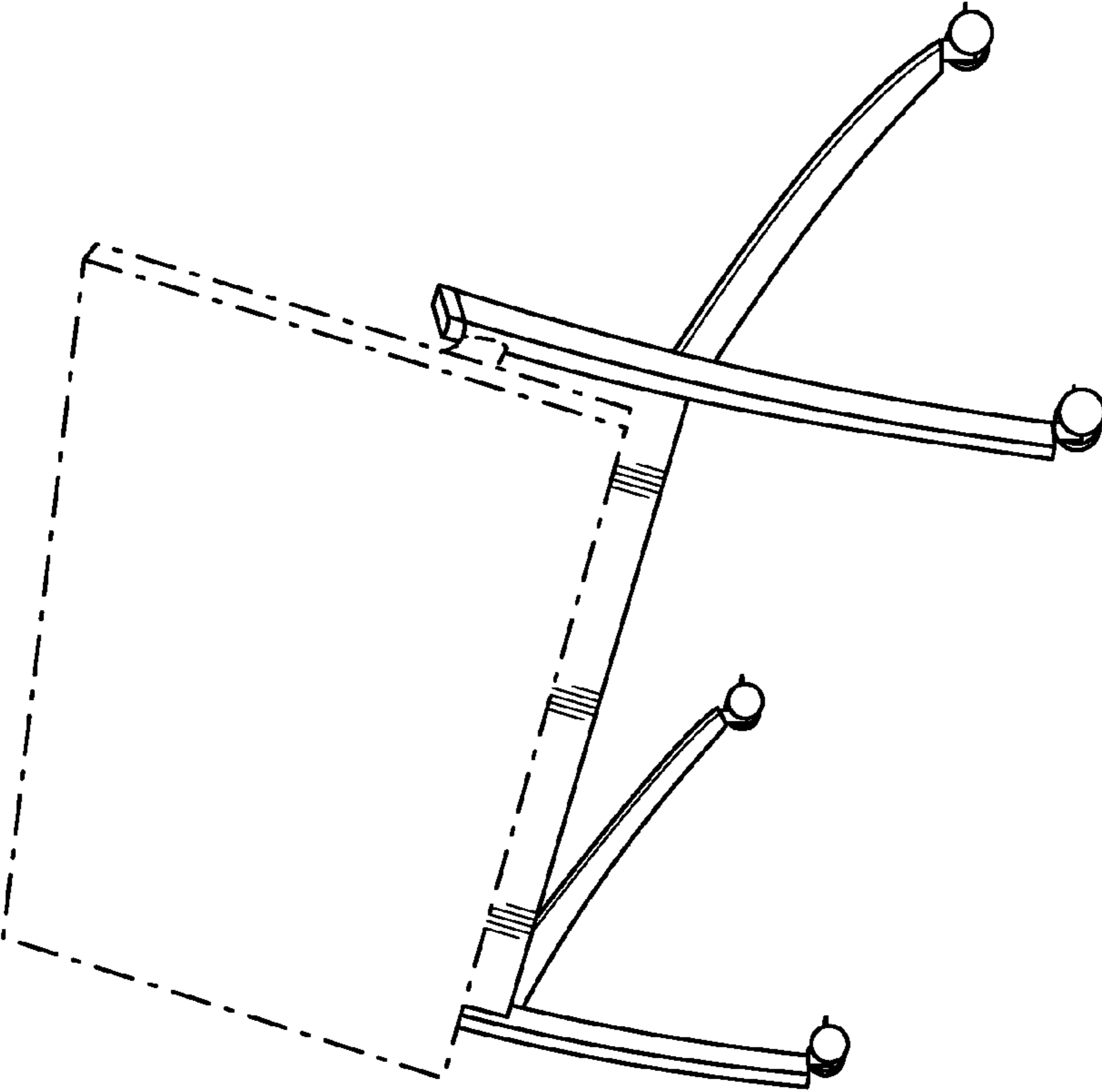


FIG. 4

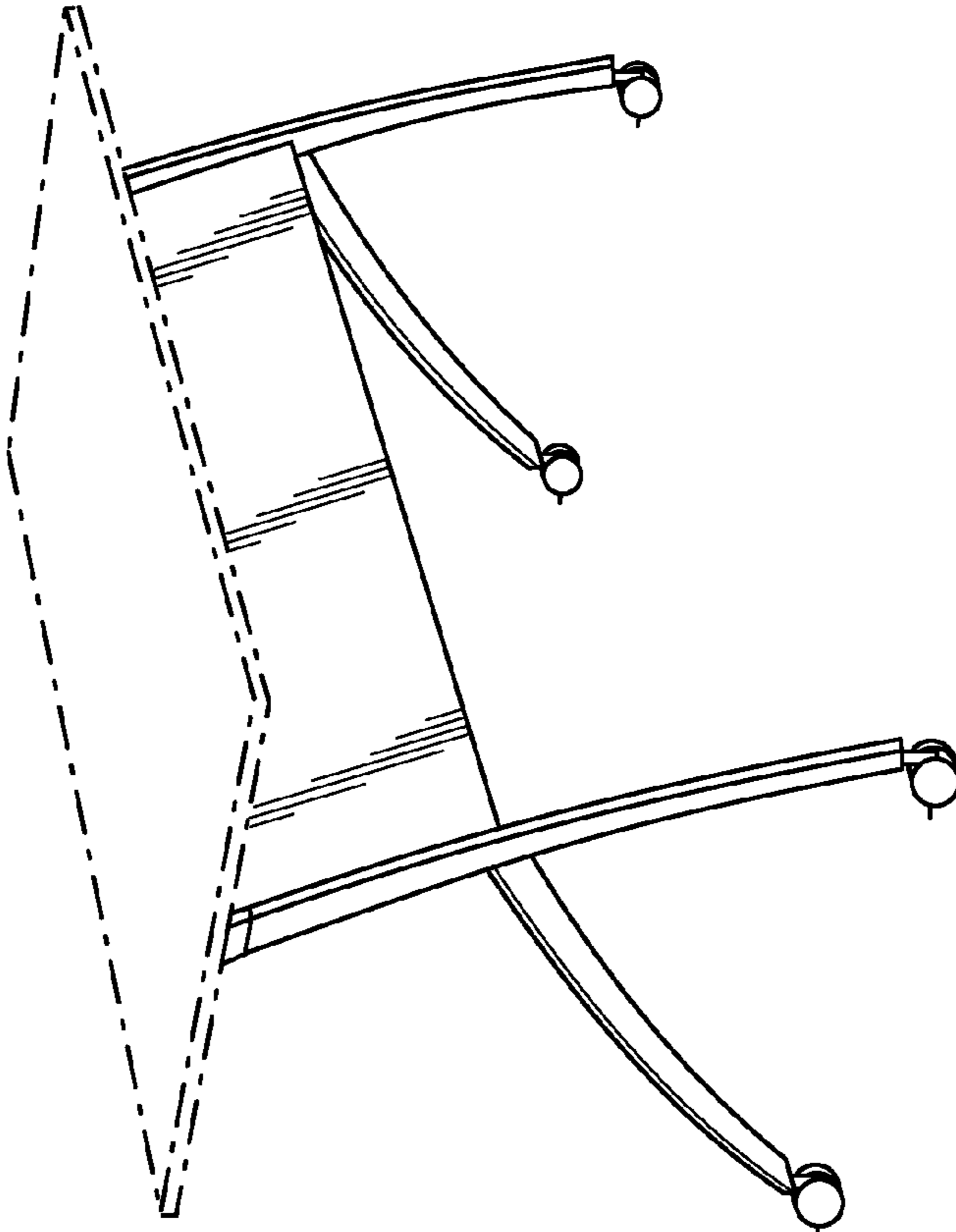


FIG. 1

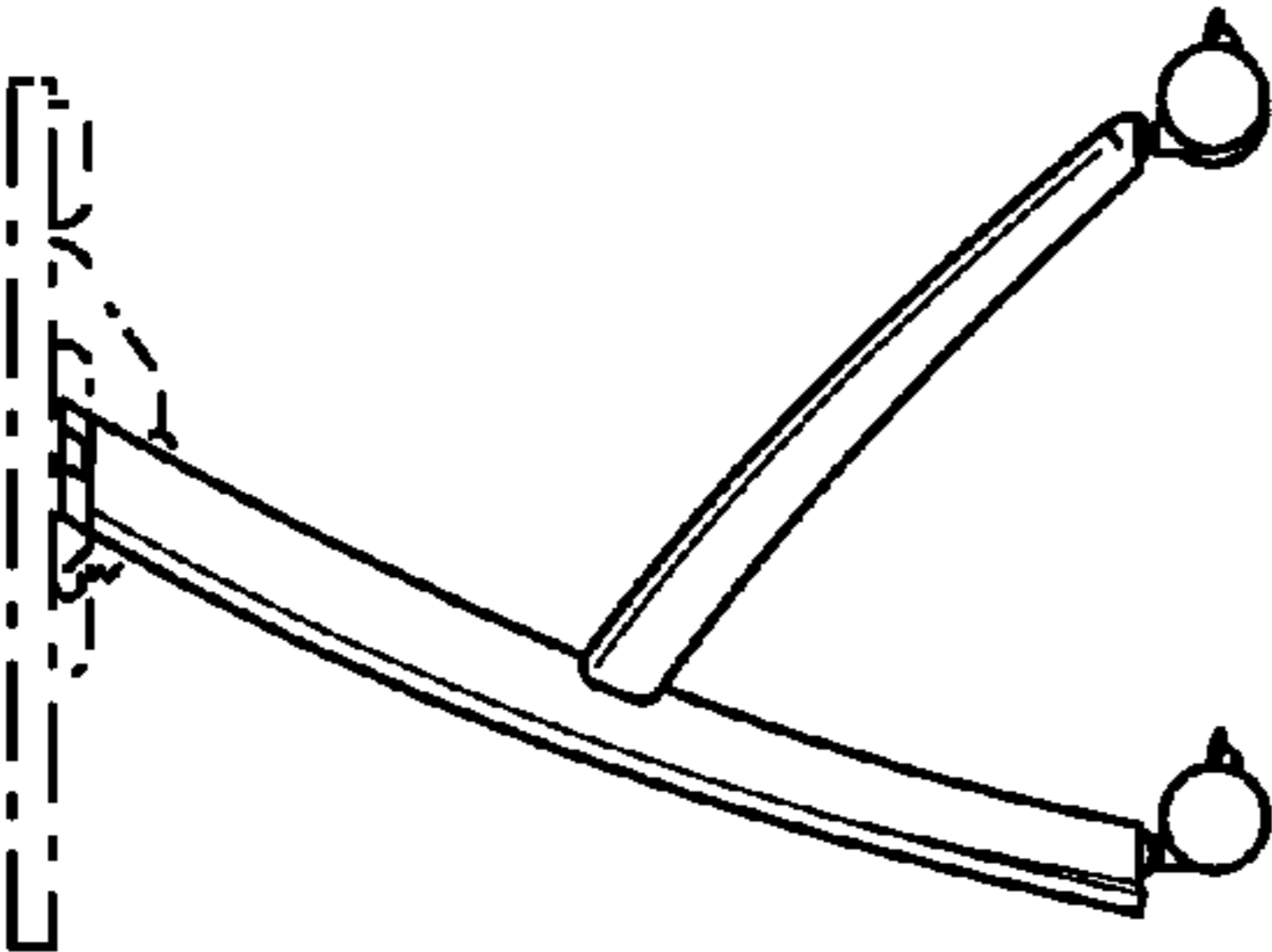


FIG. 3

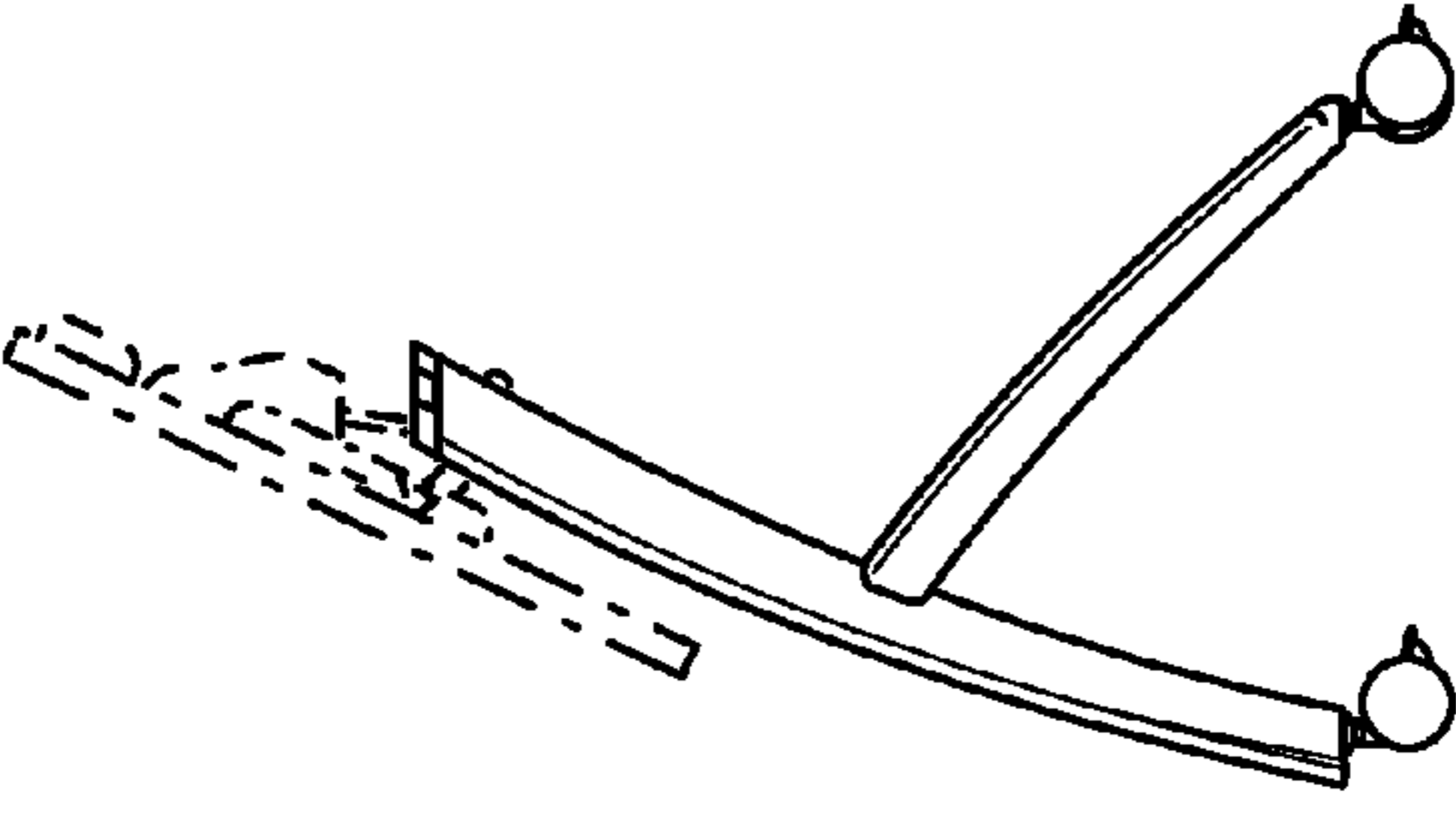


FIG. 6

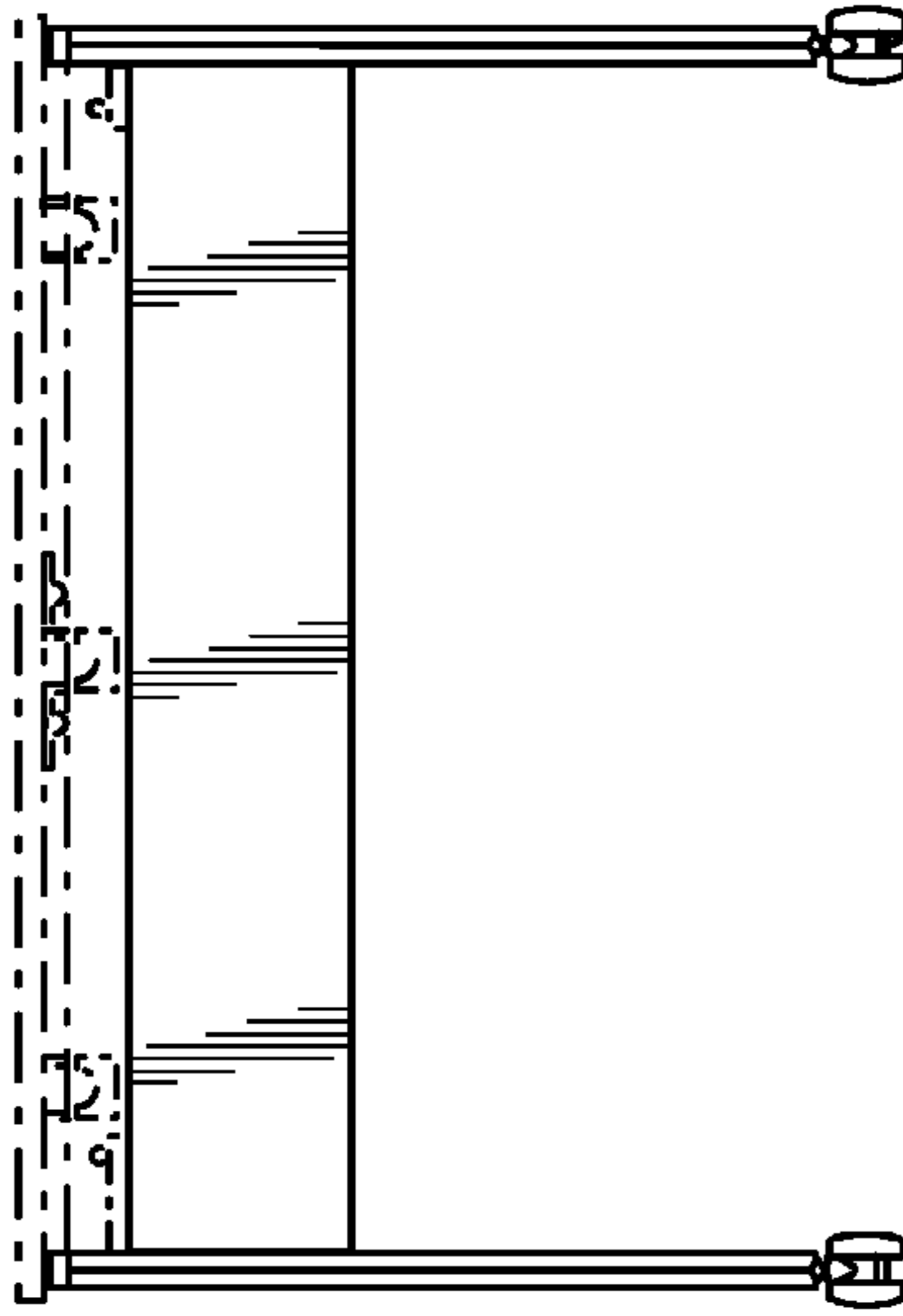


FIG. 2

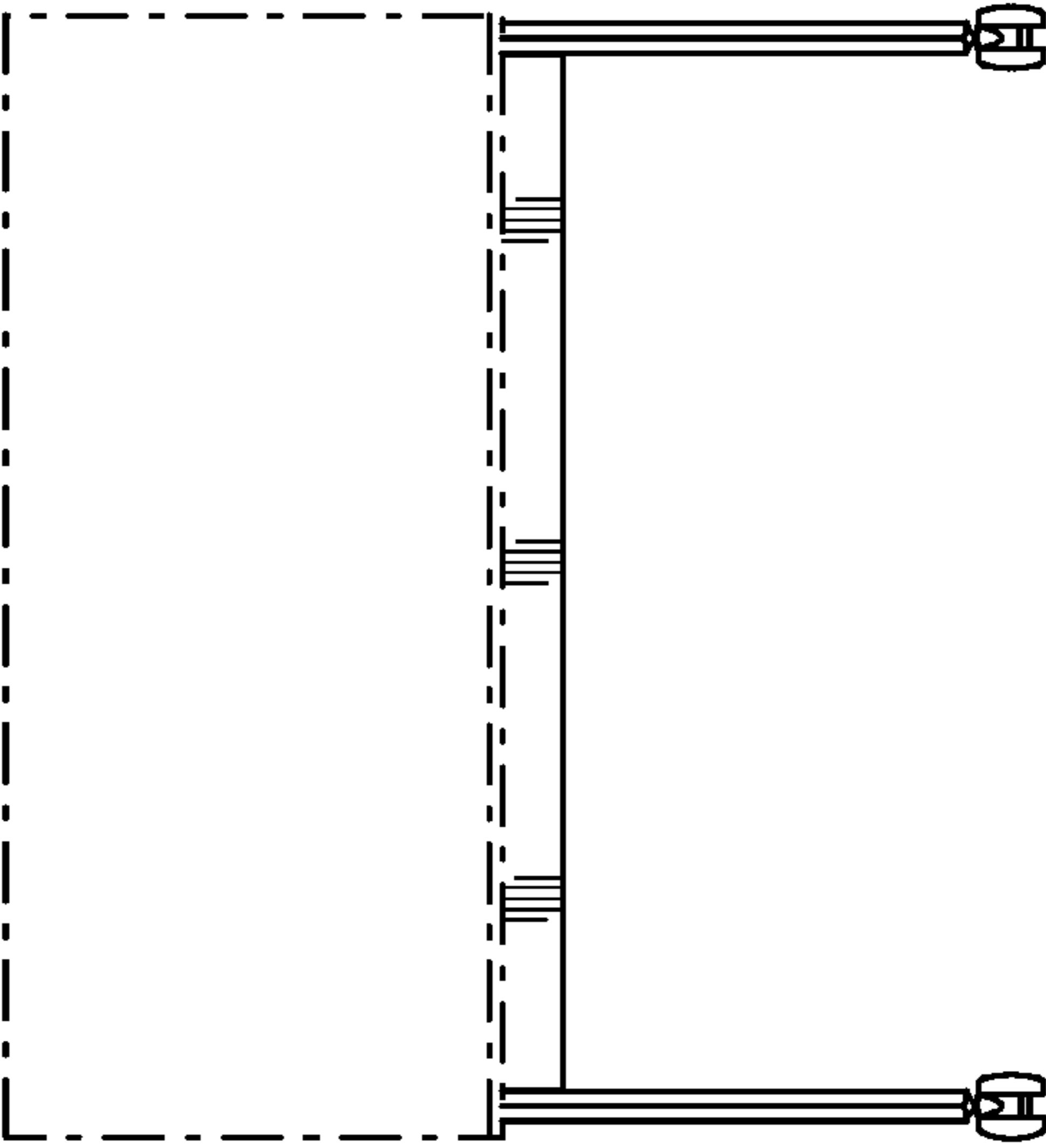


FIG. 5