



US00D626766S

(12) **United States Design Patent**  
**Sexton**

(10) **Patent No.:** **US D626,766 S**

(45) **Date of Patent:** **\*\* Nov. 9, 2010**

(54) **DESK**

D573,366 S \* 7/2008 Sexton ..... D6/425  
D598,676 S \* 8/2009 Sexton ..... D6/480  
D618,010 S \* 6/2010 Sexton ..... D6/425

(75) Inventor: **James S. Sexton**, San Ramon, CA (US)

(73) Assignee: **Z-Line Designs, Inc.**, San Ramon, CA (US)

\* cited by examiner

(\*\*) Term: **14 Years**

*Primary Examiner*—Janice E Seeger

(21) Appl. No.: **29/360,466**

(74) *Attorney, Agent, or Firm*—Townsend and Townsend and Crew LLP

(22) Filed: **Apr. 26, 2010**

(57) **CLAIM**

The ornamental design for a desk, as shown and described.

**Related U.S. Application Data**

(62) Division of application No. 29/337,850, filed on May 29, 2009, now Pat. No. Des. 616,674.

**DESCRIPTION**

(51) **LOC (9) Cl.** ..... **06-03**

FIG. 1 is a perspective view of the desk shown arranged adjacent to another desk and a corner piece, as an L-shaped desk;

(52) **U.S. Cl.** ..... **D6/484; D6/422**

FIG. 2 is a front elevational view thereof;

(58) **Field of Classification Search** ..... D6/480–489, D6/511, 495–499, 429–431, 422, 426; 108/150, 108/152, 153.1, 157.1, 161; 248/188, 188.1, 248/188.7, 188.8

FIG. 3 is a left side elevational view;

FIG. 4 is a right side elevational view thereof;

See application file for complete search history.

FIG. 5 is a rear elevational view;

(56) **References Cited**

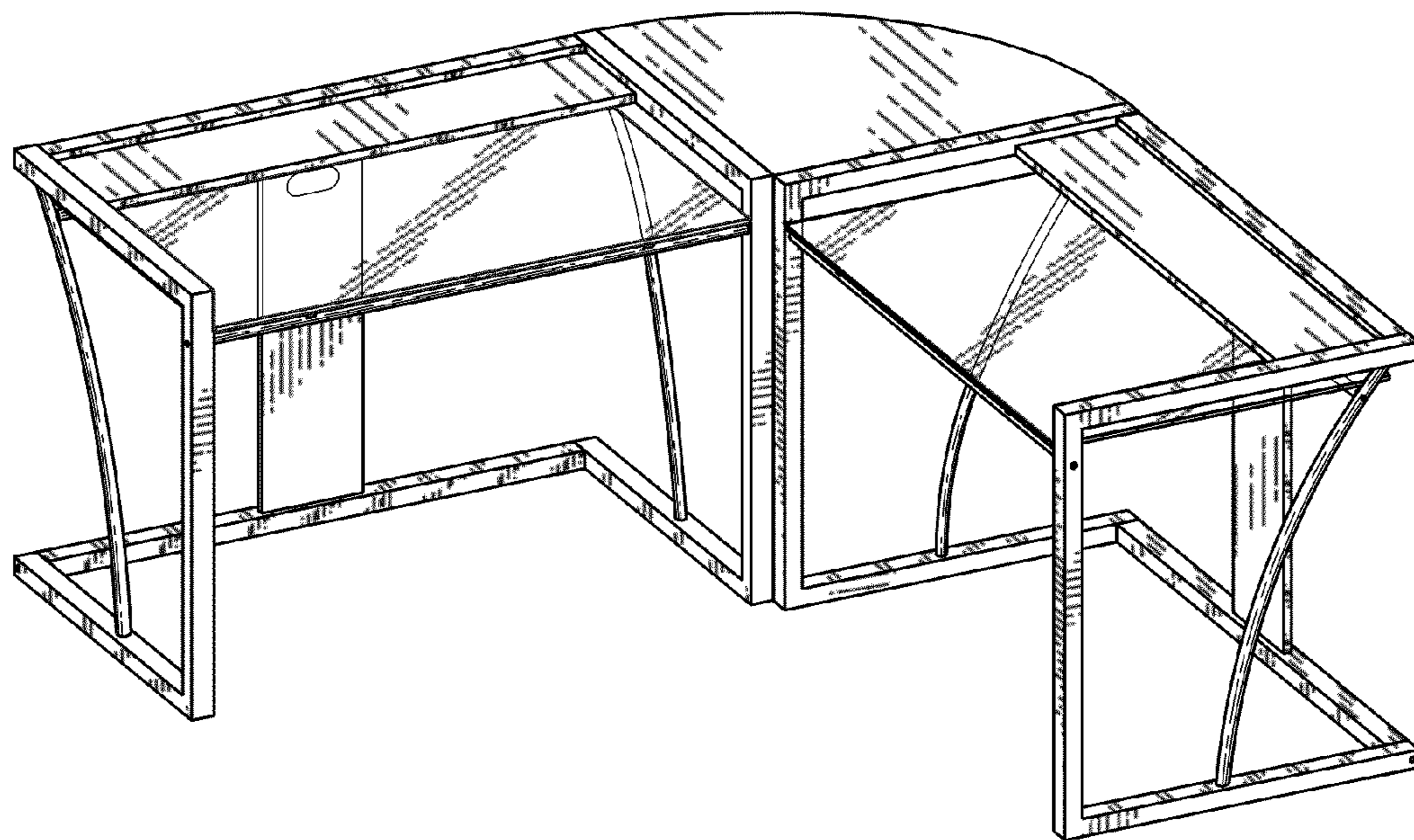
FIG. 6 is a top plan view thereof; and,

FIG. 7 is a bottom plan view thereof.

**U.S. PATENT DOCUMENTS**

D474,355 S \* 5/2003 Sexton ..... D6/484

**1 Claim, 5 Drawing Sheets**



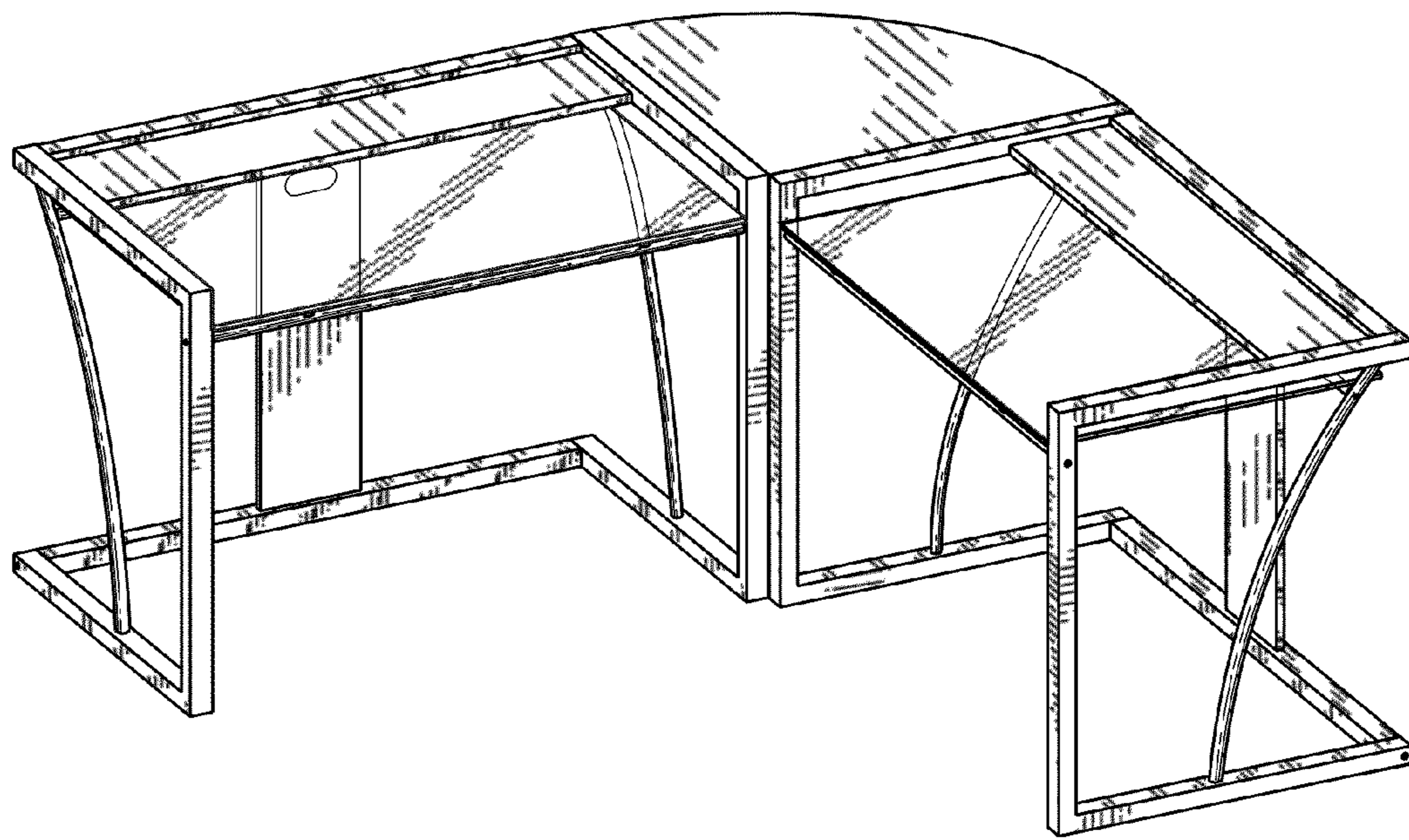


FIG. 1

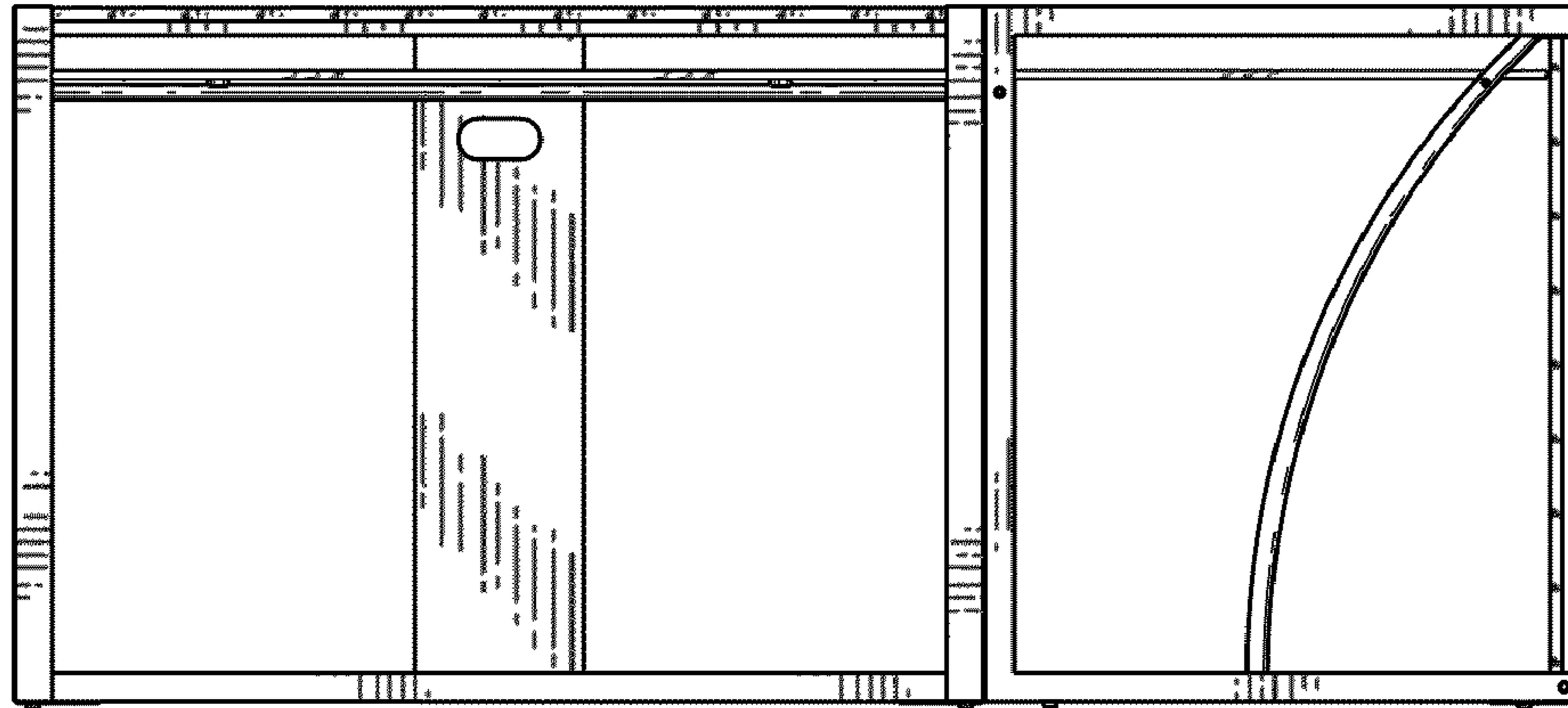


FIG. 2

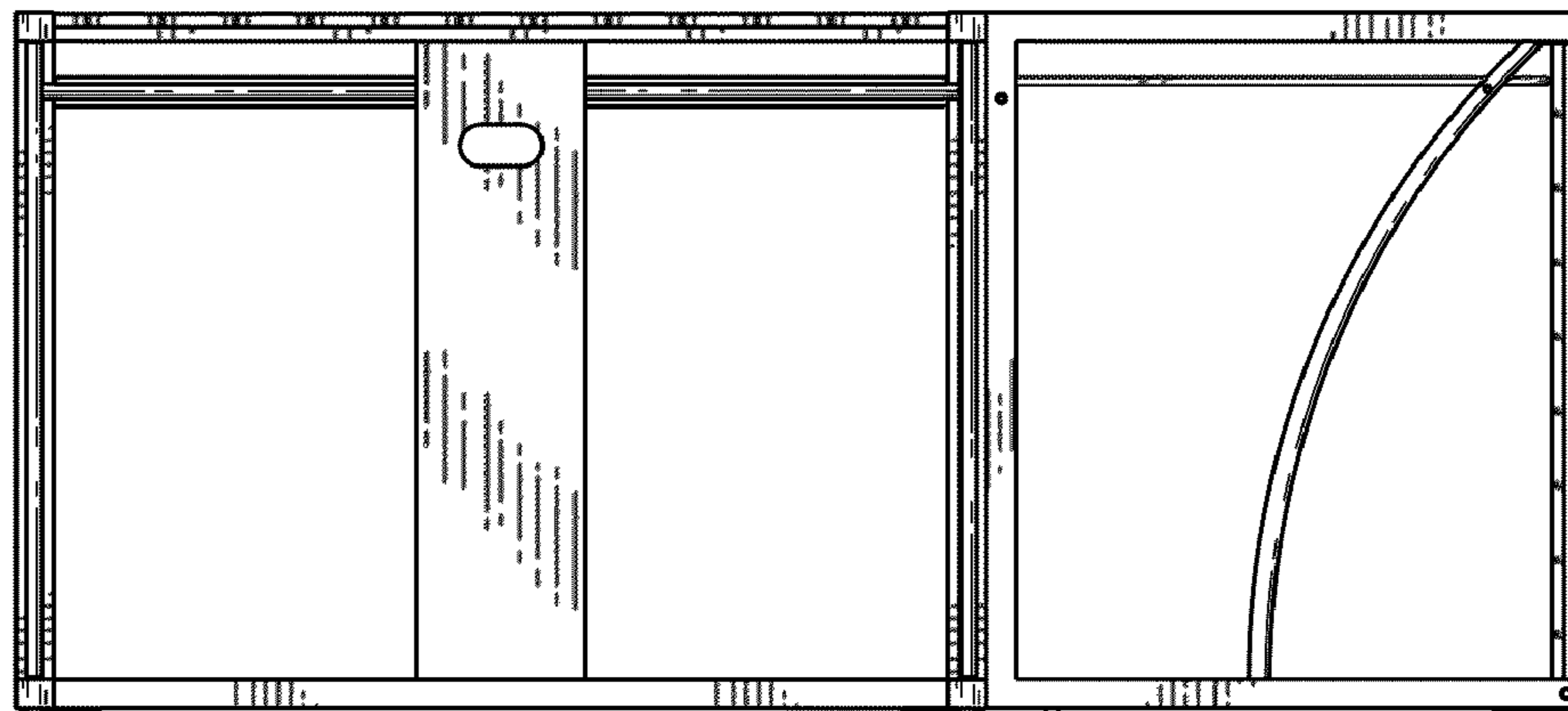


FIG. 3

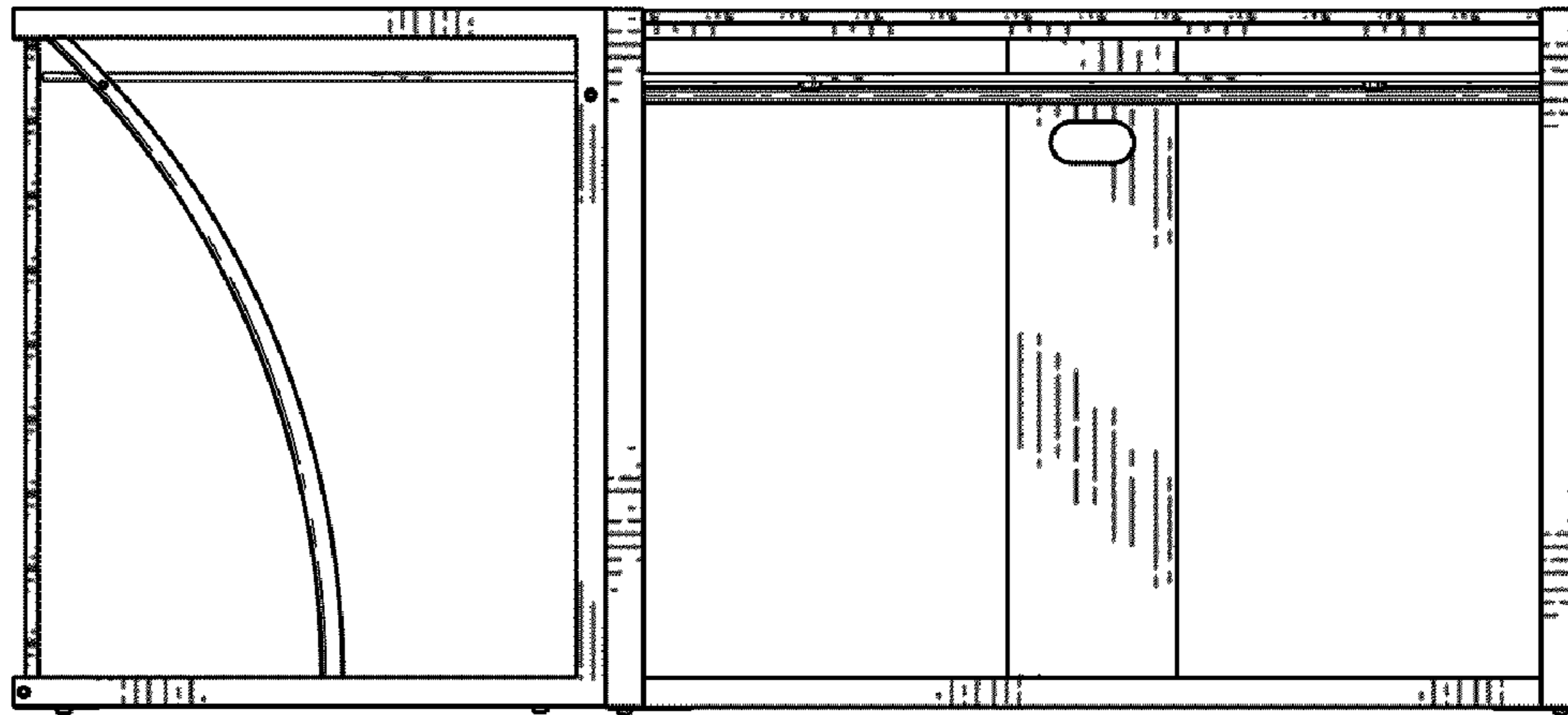


FIG. 4

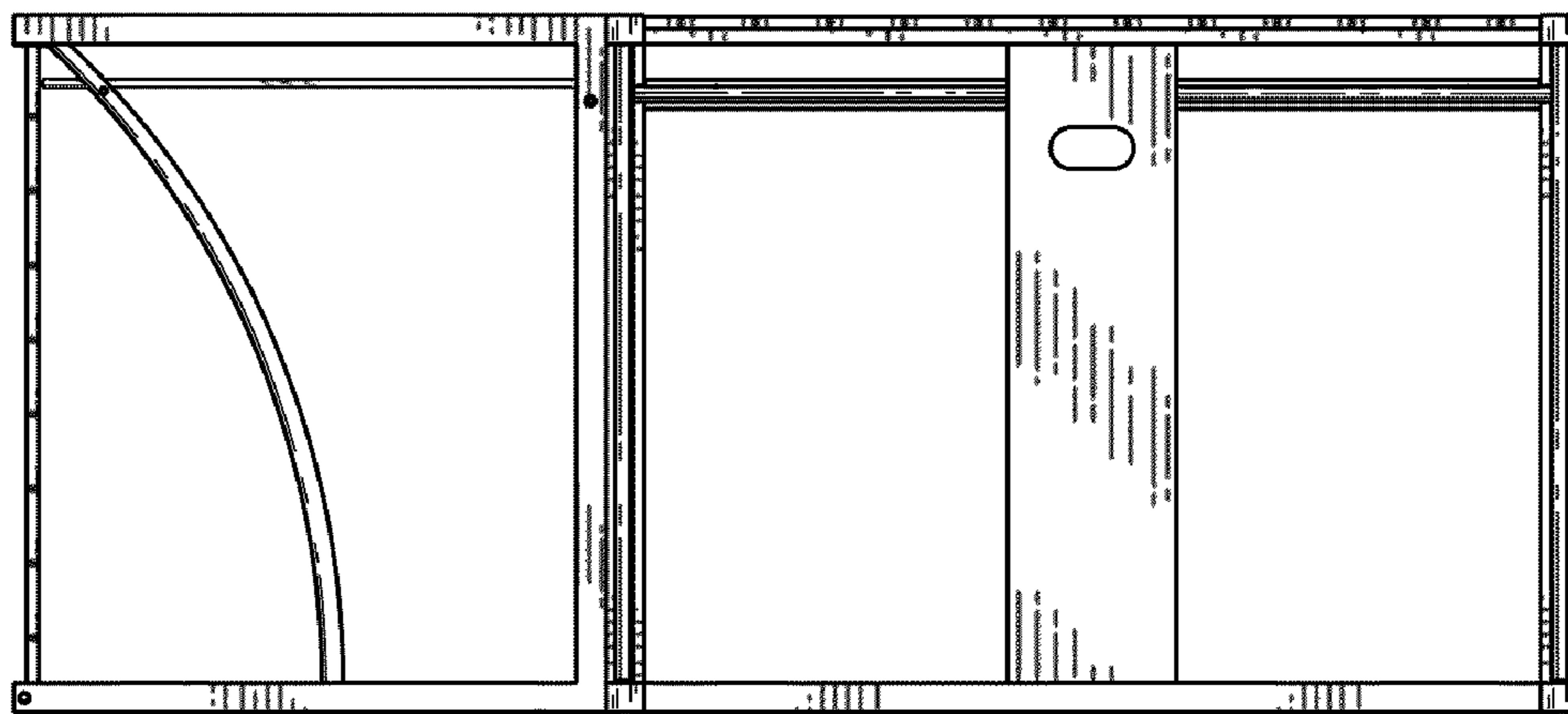


FIG. 5

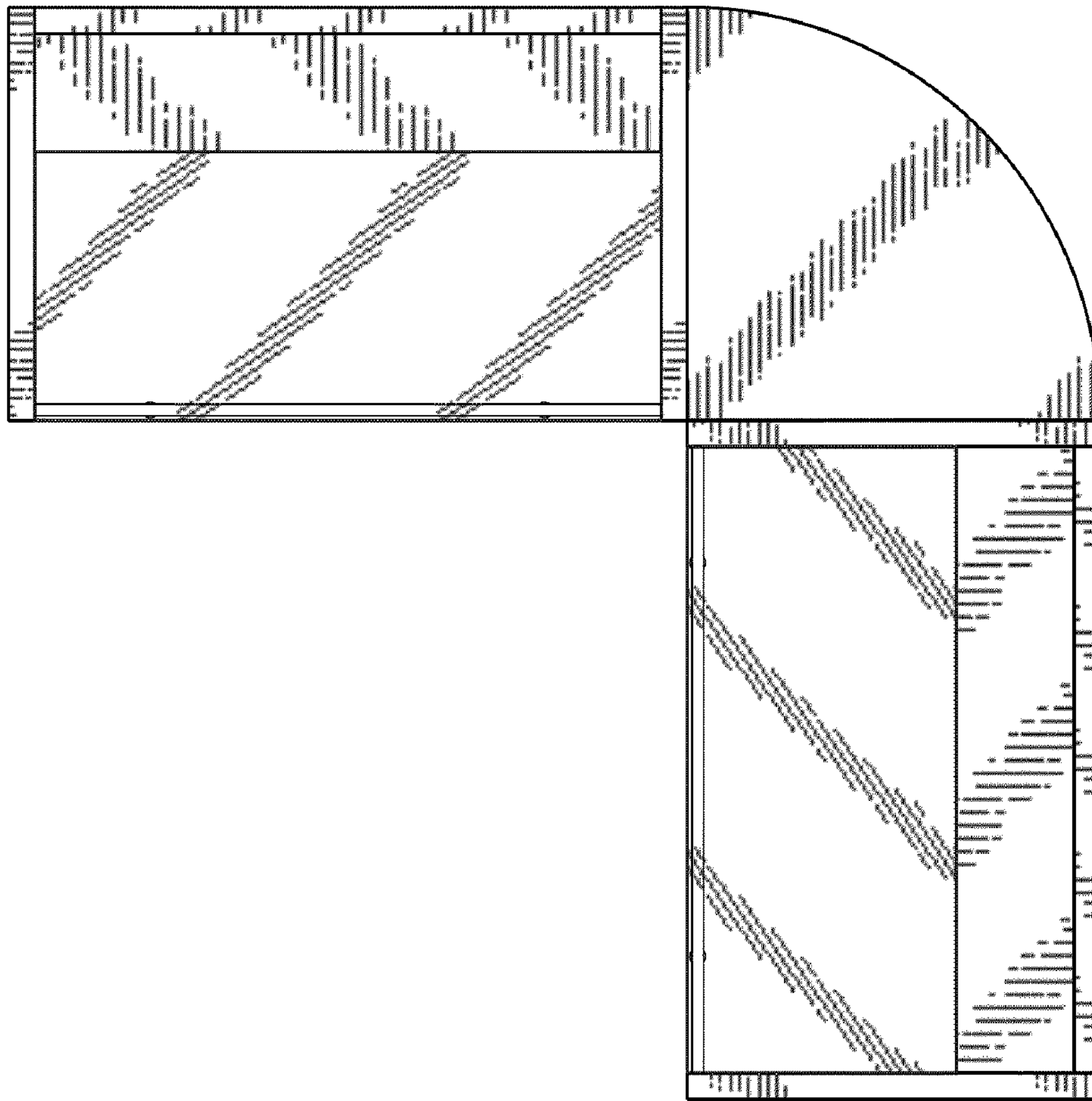


FIG. 6

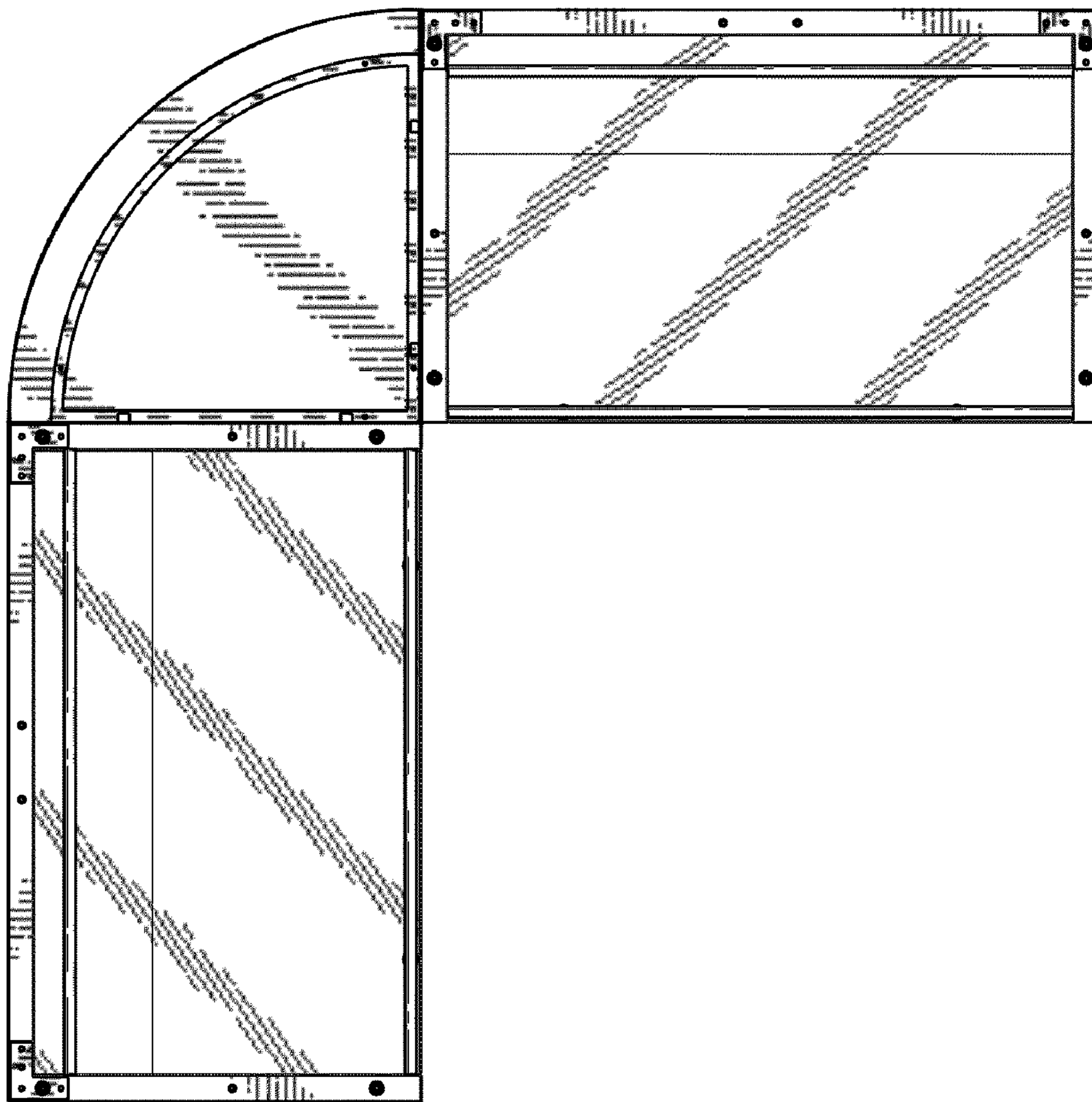


FIG. 7