



US00D626765S

(12) **United States Design Patent**  
**Weigand et al.**

(10) **Patent No.:** **US D626,765 S**  
(45) **Date of Patent:** **\*\* Nov. 9, 2010**

(54) **FLEXIBLE FIXTURE FOR GREETING CARDS AND NON-GREETING CARD MERCHANDISE**

(75) Inventors: **Christopher Weigand**, Sagamore Hills, OH (US); **Gary Hodge**, Rutherfordton, NC (US); **Emory Brozak, Jr.**, Strongsville, OH (US)

(73) Assignee: **American Greetings Corporation**, Cleveland, OH (US)

(\*\*) Term: **14 Years**

(21) Appl. No.: **29/346,585**

(22) Filed: **Nov. 3, 2009**

**Related U.S. Application Data**

(63) Continuation of application No. 29/339,337, filed on Jun. 29, 2009.

(51) **LOC (9) Cl.** ..... **06-04**

(52) **U.S. Cl.** ..... **D6/468**

(58) **Field of Classification Search** ..... D6/396, D6/399, 449, 450, 429, 466-469, 473, 476, D6/481, 630, 470; 40/124, 124.1, 124.4; 211/134, 135, 94.01, 85.16, 85.27, 189, 55; D25/16; 312/258, 140.3; D34/21

See application file for complete search history.

(56) **References Cited**

**U.S. PATENT DOCUMENTS**

- 3,179,479 A \* 4/1965 Freedman ..... 312/140.3
- 3,519,320 A \* 7/1970 Freedman ..... 312/258
- 3,777,897 A \* 12/1973 Gray ..... 211/55
- 3,821,538 A 6/1974 Jonathan et al.
- 3,838,266 A 9/1974 Jonathan
- 3,886,348 A 5/1975 Jonathan et al.
- D249,433 S \* 9/1978 Carlsen ..... D6/470
- D265,024 S 6/1982 Johnson
- D267,383 S 12/1982 Liptak et al.
- 4,460,097 A \* 7/1984 Darnell et al. .... 211/189
- D276,777 S 12/1984 Evenson

- D282,225 S 1/1986 Sandy
- D282,989 S \* 3/1986 Nelson ..... D6/474
- D293,148 S \* 12/1987 Wedel ..... D34/21
- D347,755 S \* 6/1994 Houston ..... D6/481
- 5,472,100 A 12/1995 Garrison et al.
- D370,140 S \* 5/1996 Gaietto ..... D6/474
- 5,513,745 A 5/1996 Zoltan et al.
- D379,664 S \* 6/1997 Horton ..... D25/16
- D395,563 S \* 6/1998 Hamilton, III ..... D6/474
- 6,112,912 A \* 9/2000 Lord et al. .... 211/55
- D436,266 S 1/2001 Buchanan et al.

(Continued)

*Primary Examiner*—Philip S Hyder

*Assistant Examiner*—Sydney R Buffalow

(74) *Attorney, Agent, or Firm*—Roetzel & Andress

(57) **CLAIM**

The ornamental design for the flexible fixture for greeting cards and non-greeting card merchandise, as shown and described.

**DESCRIPTION**

FIG. 1 is a perspective view of the flexible fixture for greeting cards and non-greeting card merchandise.

FIG. 2 is an elevation front view of FIG. 1.

FIG. 3 is an elevation rear view of FIG. 1.

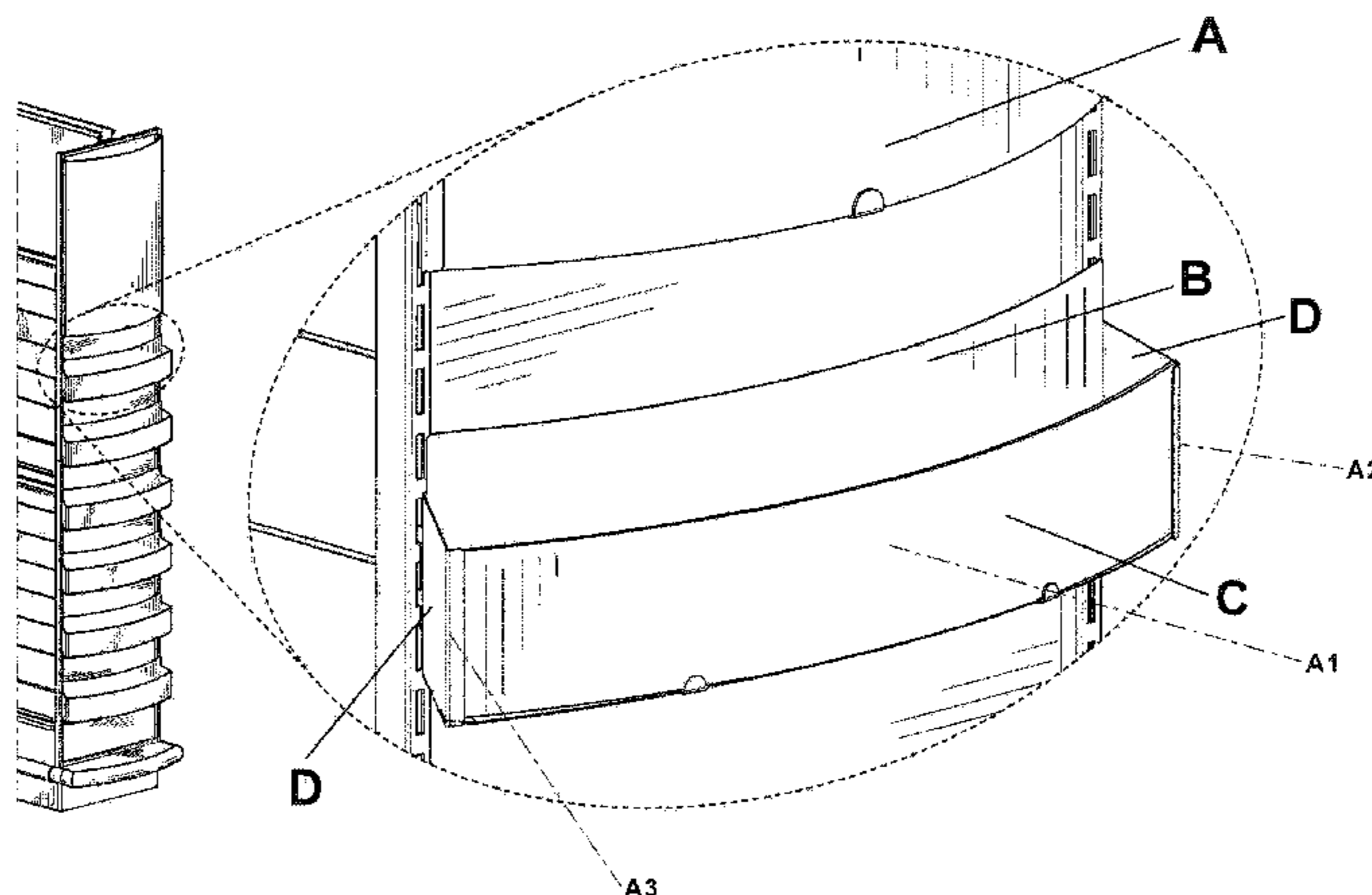
FIG. 4 is an elevation left side view of FIG. 1.

FIG. 5 is an elevation right side view of FIG. 1.

FIG. 6 is a top view of FIG. 1; and,

FIG. 7 is a bottom view of FIG. 1.

**1 Claim, 6 Drawing Sheets**



# US D626,765 S

Page 2

---

U.S. PATENT DOCUMENTS			
D445,913 S *	7/2001	Horton .....	D25/16
D450,485 S	11/2001	Buchanan et al.	
6,467,637 B2 *	10/2002	Riga .....	211/94.01
D468,560 S *	1/2003	Riga .....	D6/477
6,942,108 B2	9/2005	Wons et al.	
D526,826 S *	8/2006	Franklin .....	D6/630
D532,218 S	11/2006	Caldwell et al.	
			* cited by examiner

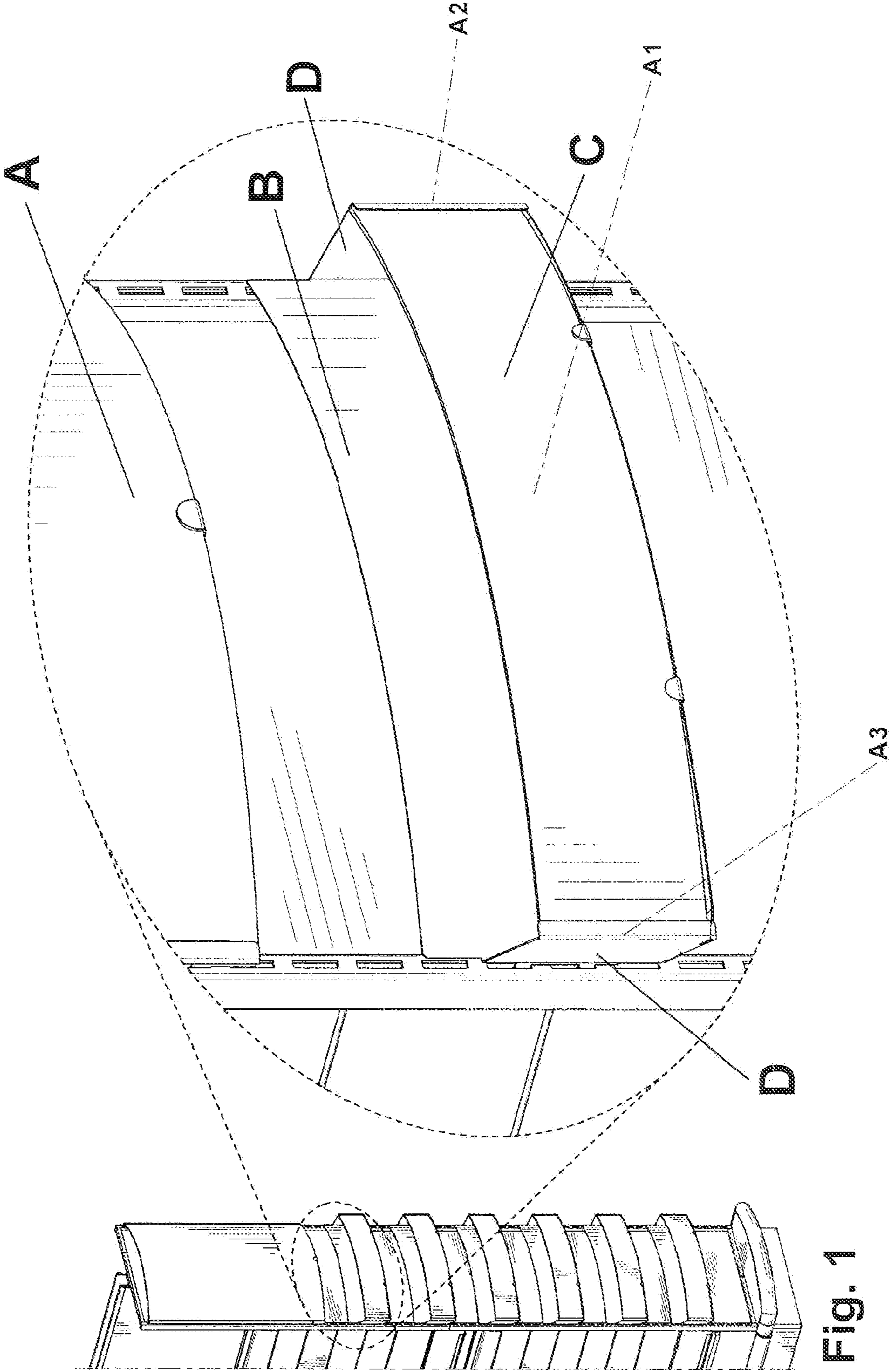


Fig. 1

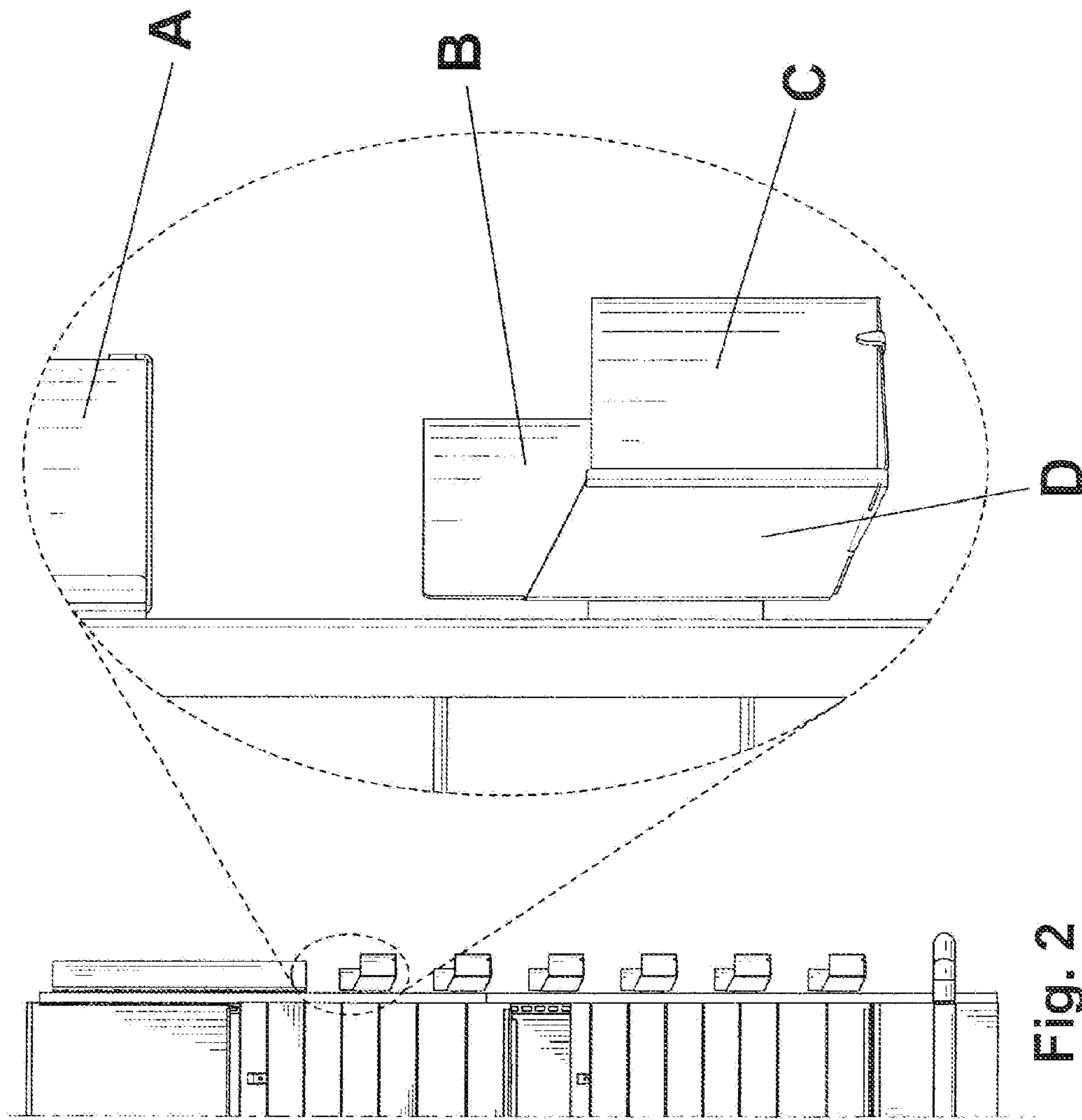


Fig. 2



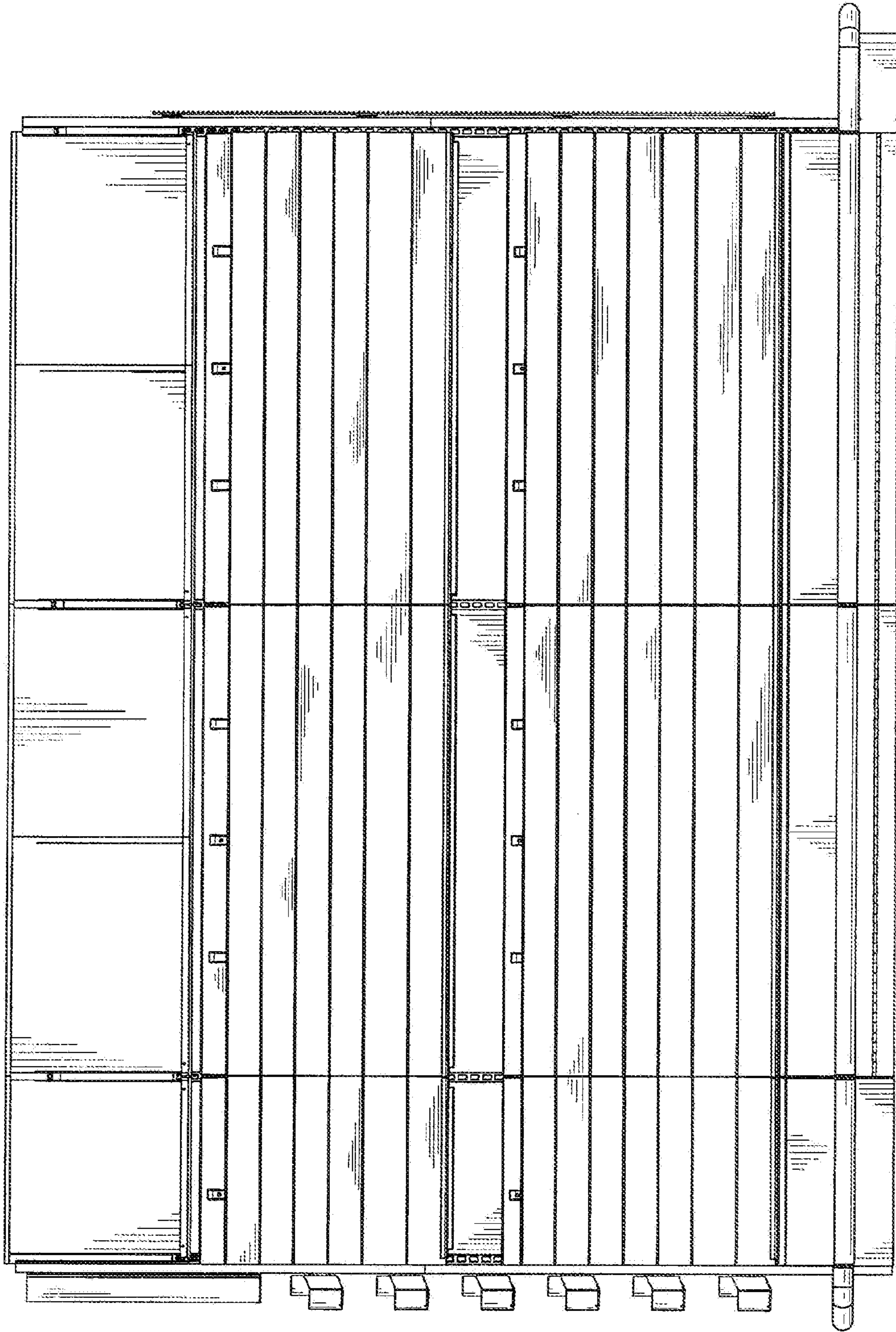


Fig. 3

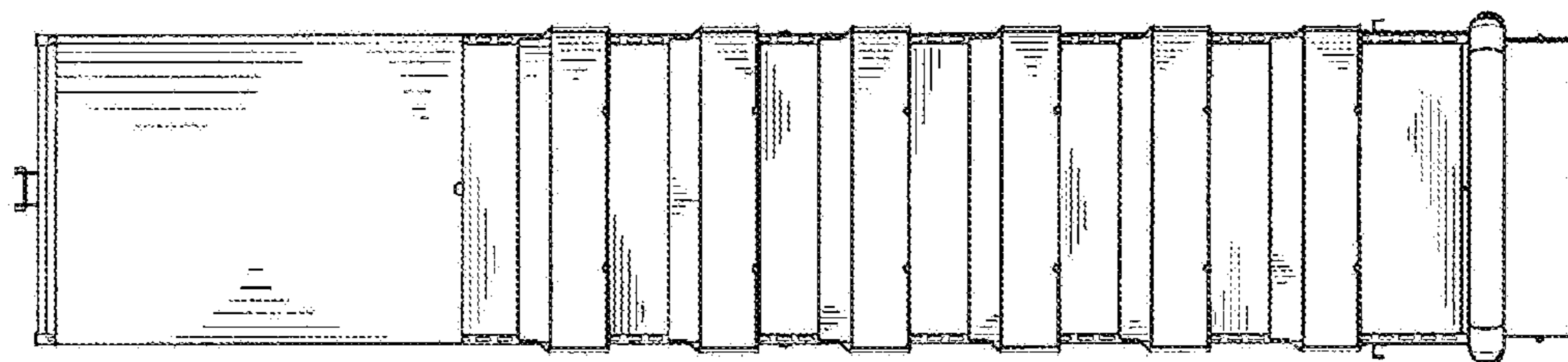


Fig. 5

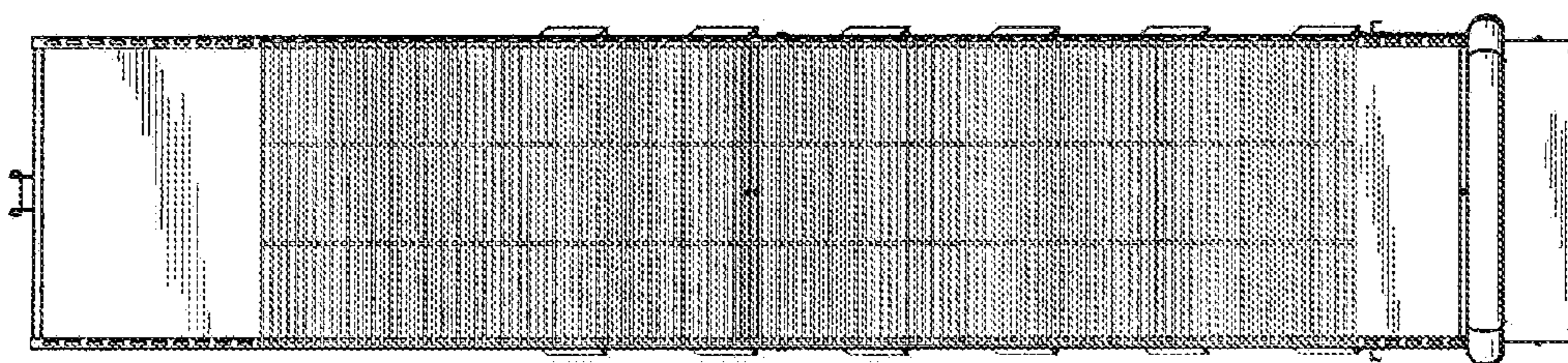


Fig. 4

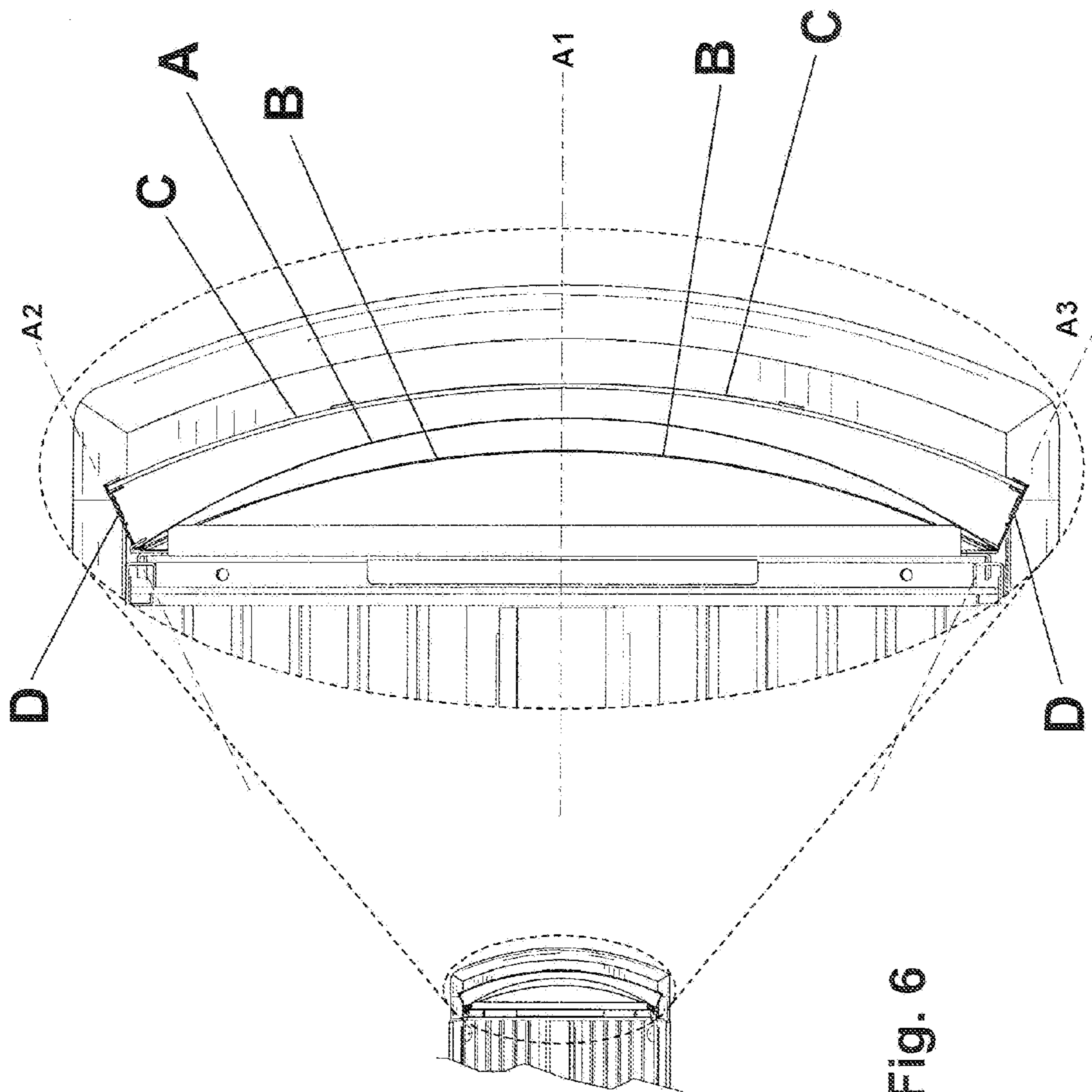


Fig. 6



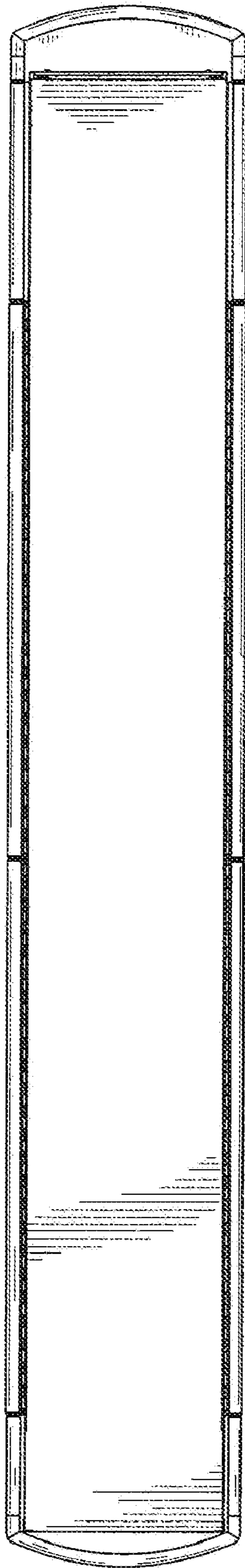


Fig. 7