



US00D626763S

(12) **United States Design Patent**
Koh

(10) **Patent No.:** **US D626,763 S**

(45) **Date of Patent:** **** Nov. 9, 2010**

(54) **STAND FOR WHITEBOARD**

(75) Inventor: **Tuang Hock Koh**, Taichung (TW)

(73) Assignee: **Harvest-Excel International Pte. Ltd.**,
Taichung (TW)

(**) Term: **14 Years**

(21) Appl. No.: **29/358,104**

(22) Filed: **Mar. 23, 2010**

(51) **LOC (9) Cl.** **06-04**

(52) **U.S. Cl.** **D6/462; D6/467; D6/312**

(58) **Field of Classification Search** D6/310,
D6/312, 313, 449, 457, 458, 462, 465-468;
211/13.1, 22, 24, 27, 86.01, 189, 190; 248/127,
248/441.1, 457; 280/33.997; D19/52
See application file for complete search history.

(56) **References Cited**

U.S. PATENT DOCUMENTS

- D213,376 S * 2/1969 Hermalin D6/312
- 4,895,381 A * 1/1990 Farlow 280/33.997
- D319,926 S * 9/1991 Solomon D6/312

- 5,129,616 A * 7/1992 Carson 248/457
- 5,971,343 A * 10/1999 Marlak 248/441.1
- D470,336 S * 2/2003 Malizia D6/462
- 2001/0054674 A1 * 12/2001 Turner 248/441.1

* cited by examiner

Primary Examiner—Mary Ann Calabrese

(57) **CLAIM**

The ornamental design for a stand for whiteboard, as shown and described.

DESCRIPTION

FIG. 1 is a perspective view of a stand for whiteboard showing my new design;

FIG. 2 is a front elevational view thereof;

FIG. 3 is a rear elevational view thereof;

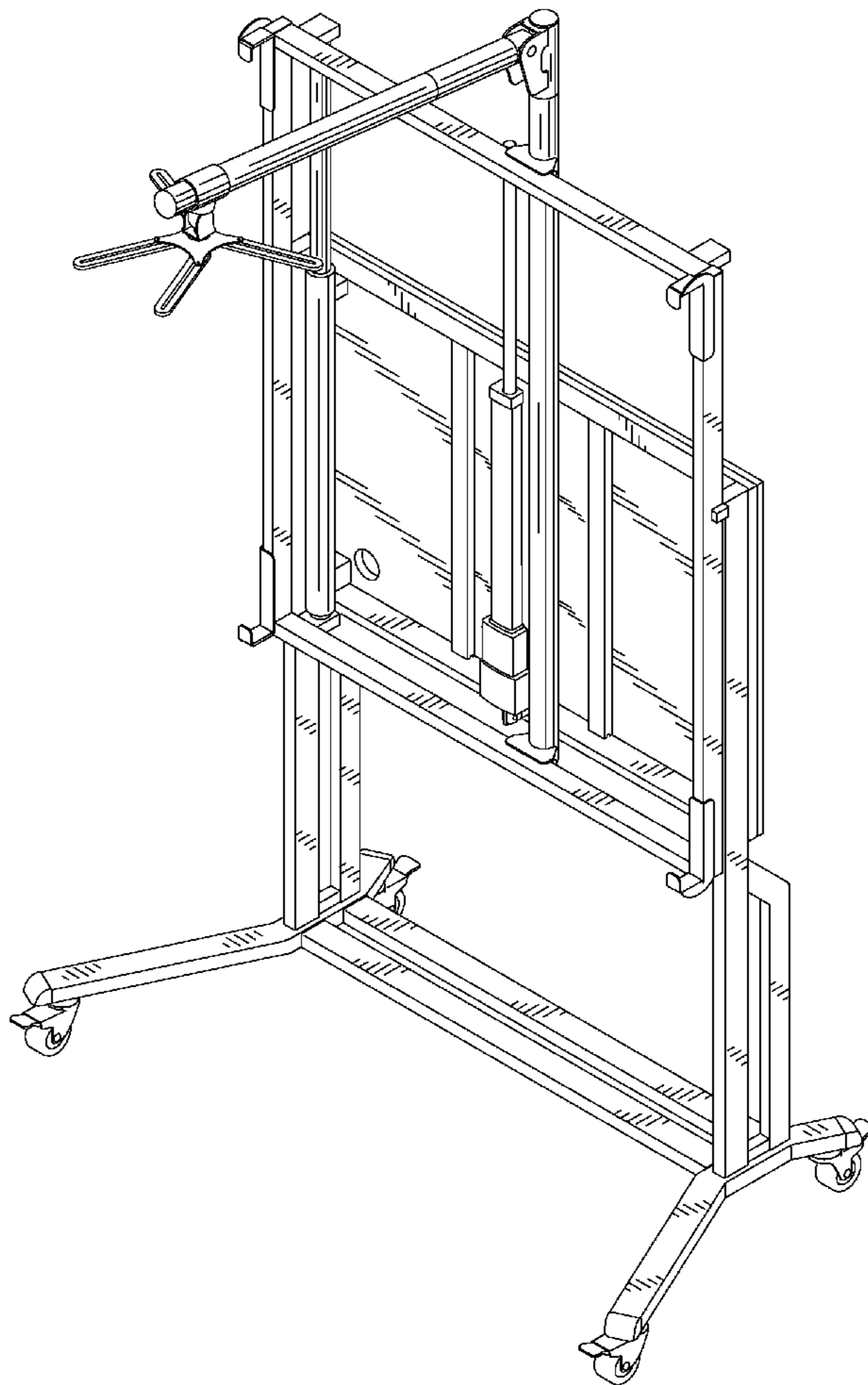
FIG. 4 is a left side view thereof;

FIG. 5 is a right side view thereof;

FIG. 6 is a top plan view thereof; and,

FIG. 7 is a bottom plan view thereof.

1 Claim, 7 Drawing Sheets



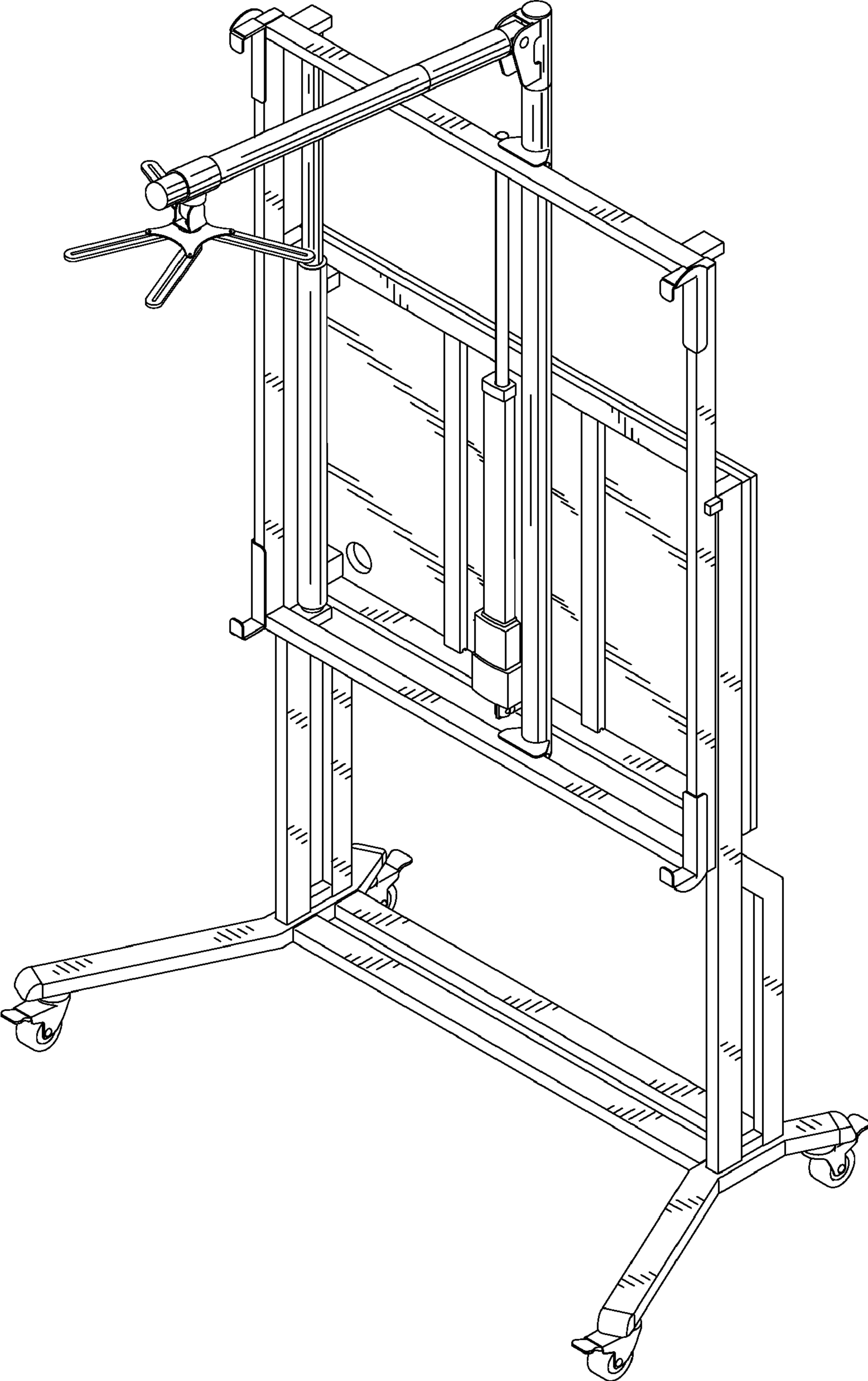


FIG. 1

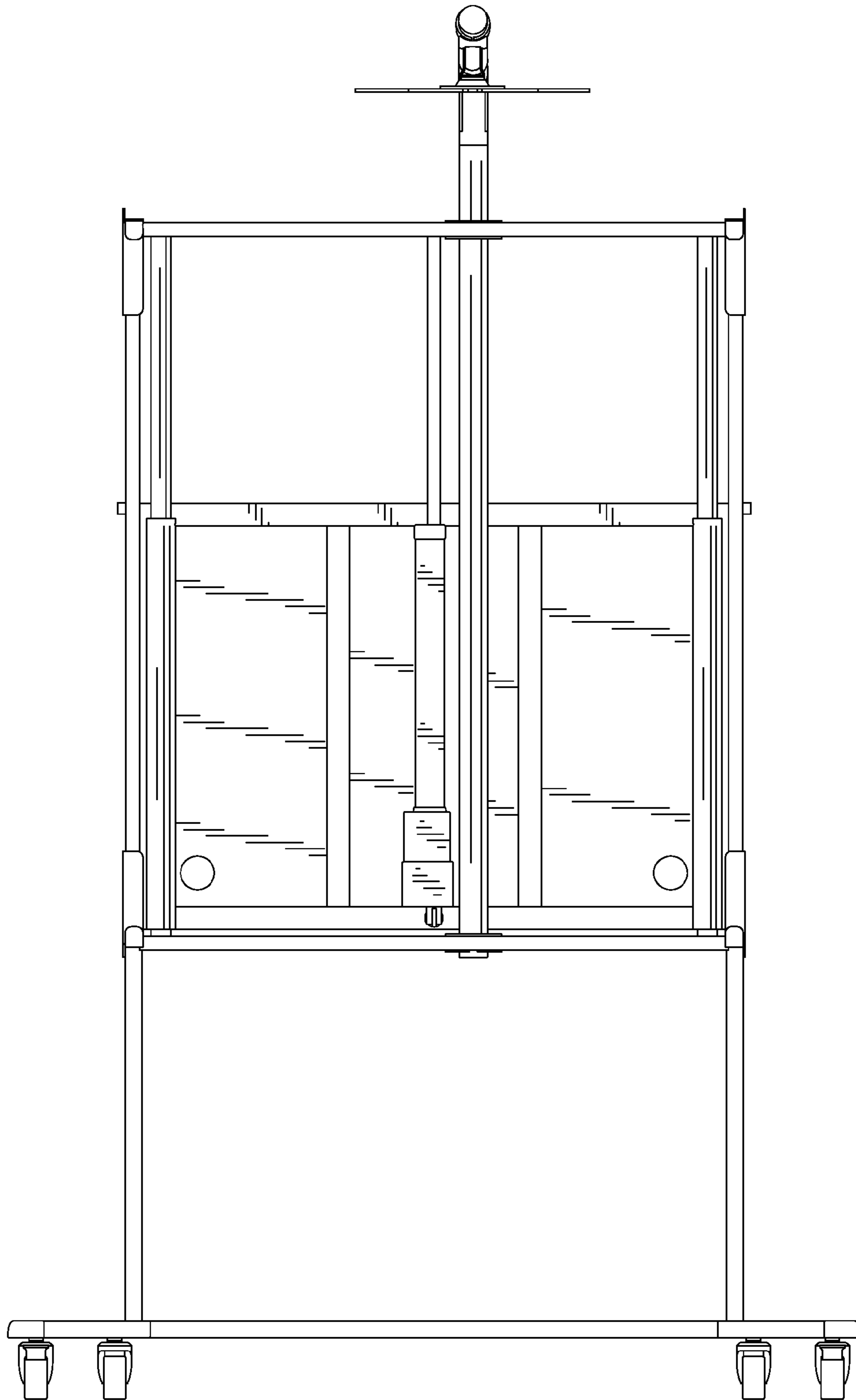


FIG. 2

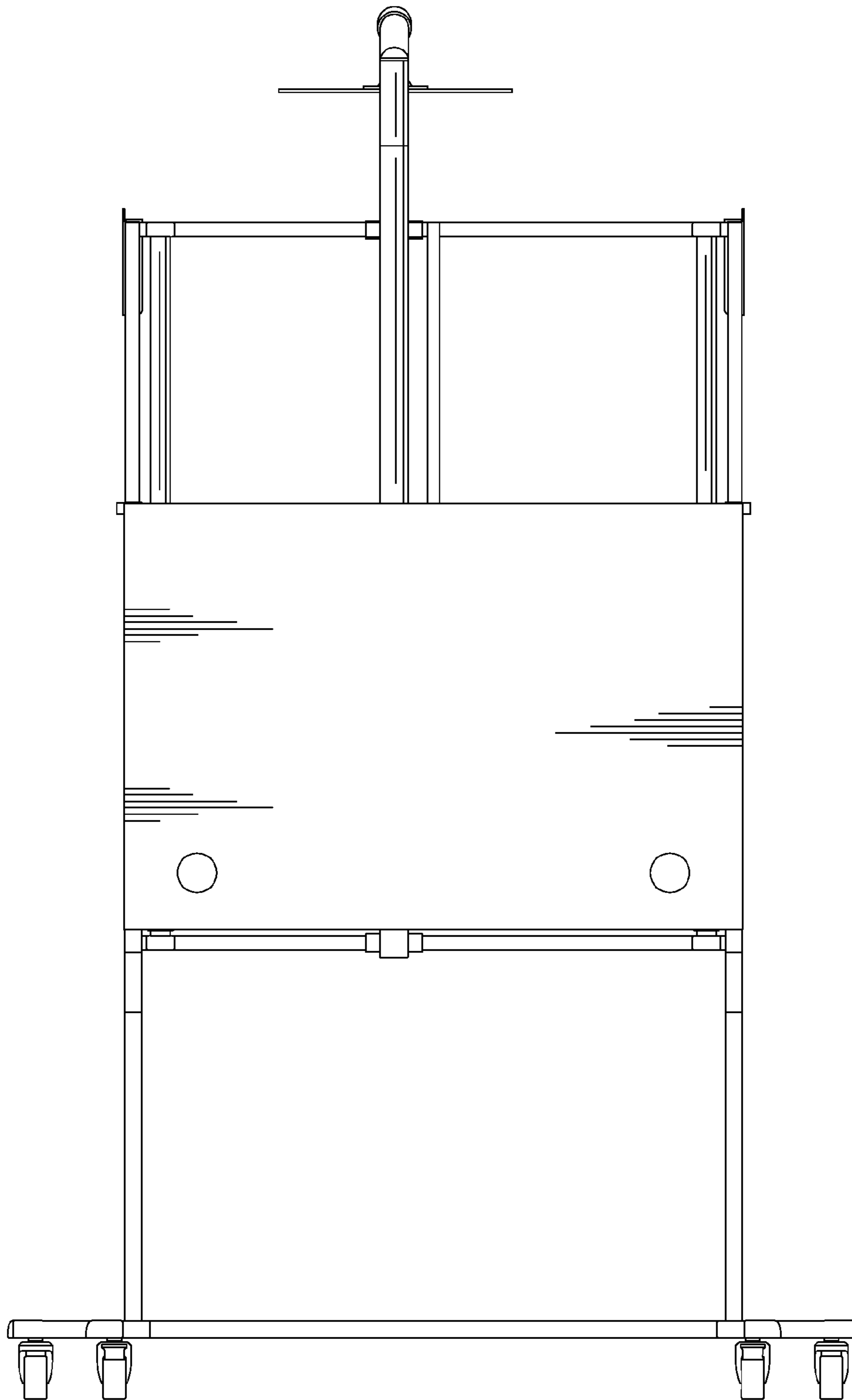


FIG. 3

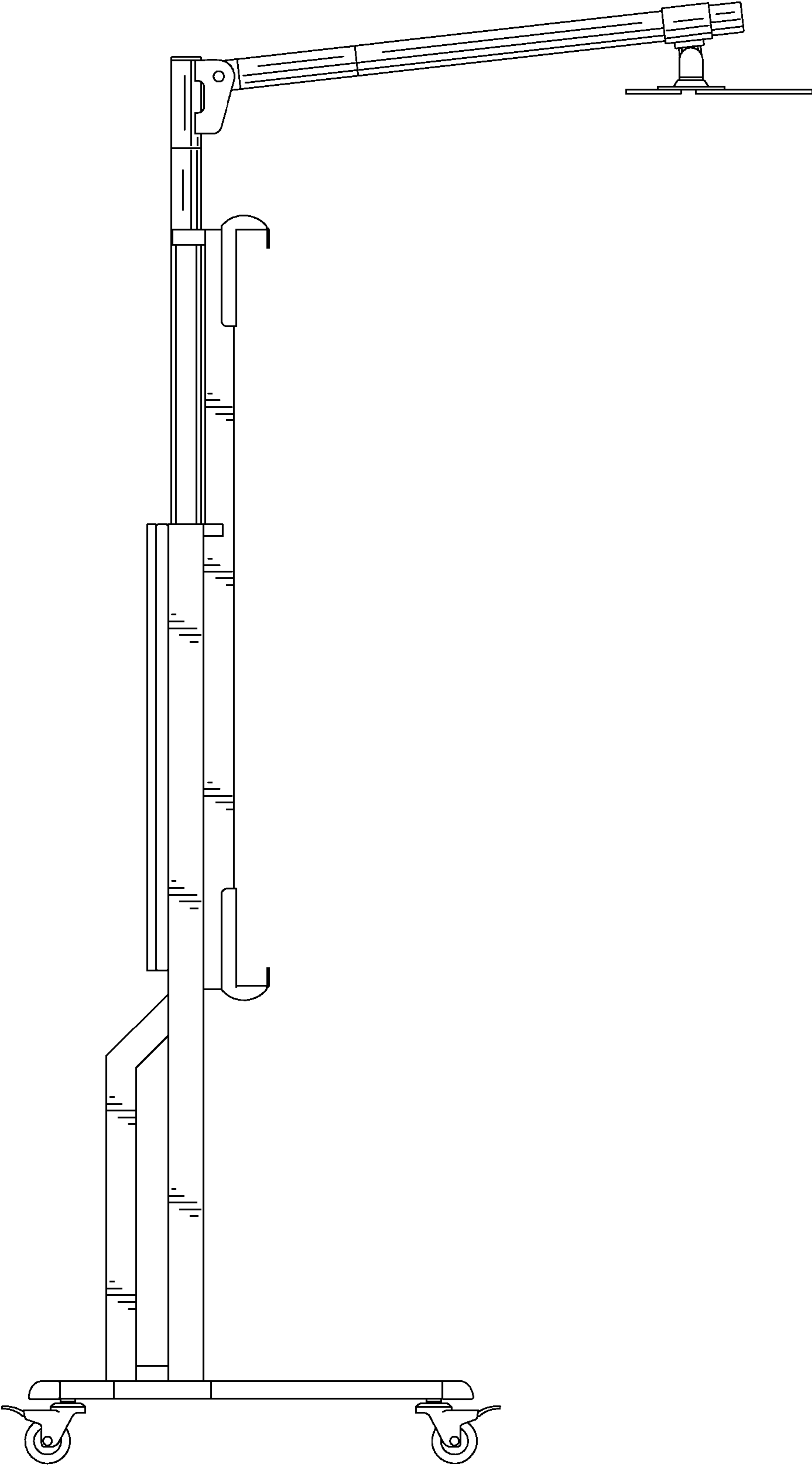


FIG. 4

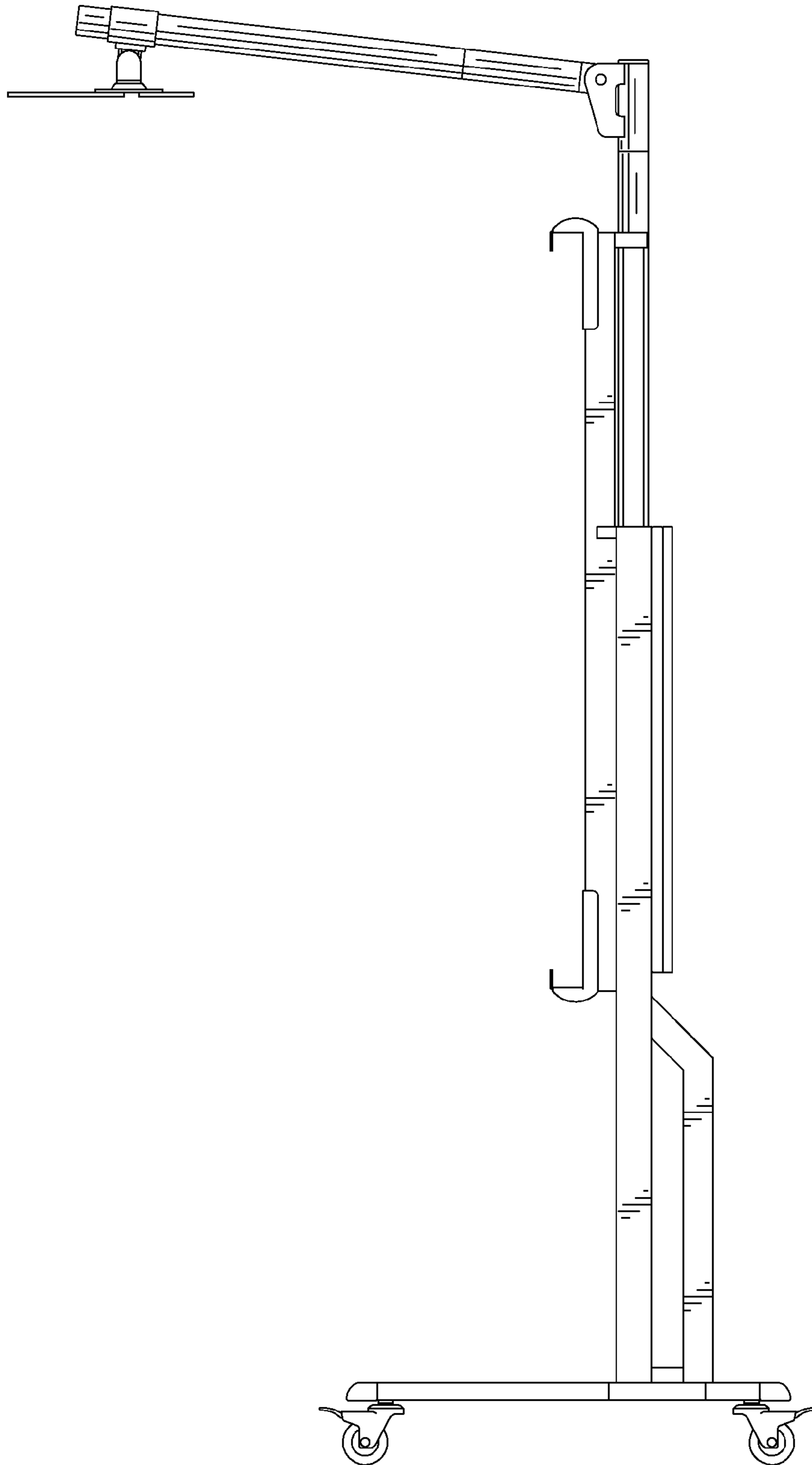


FIG. 5

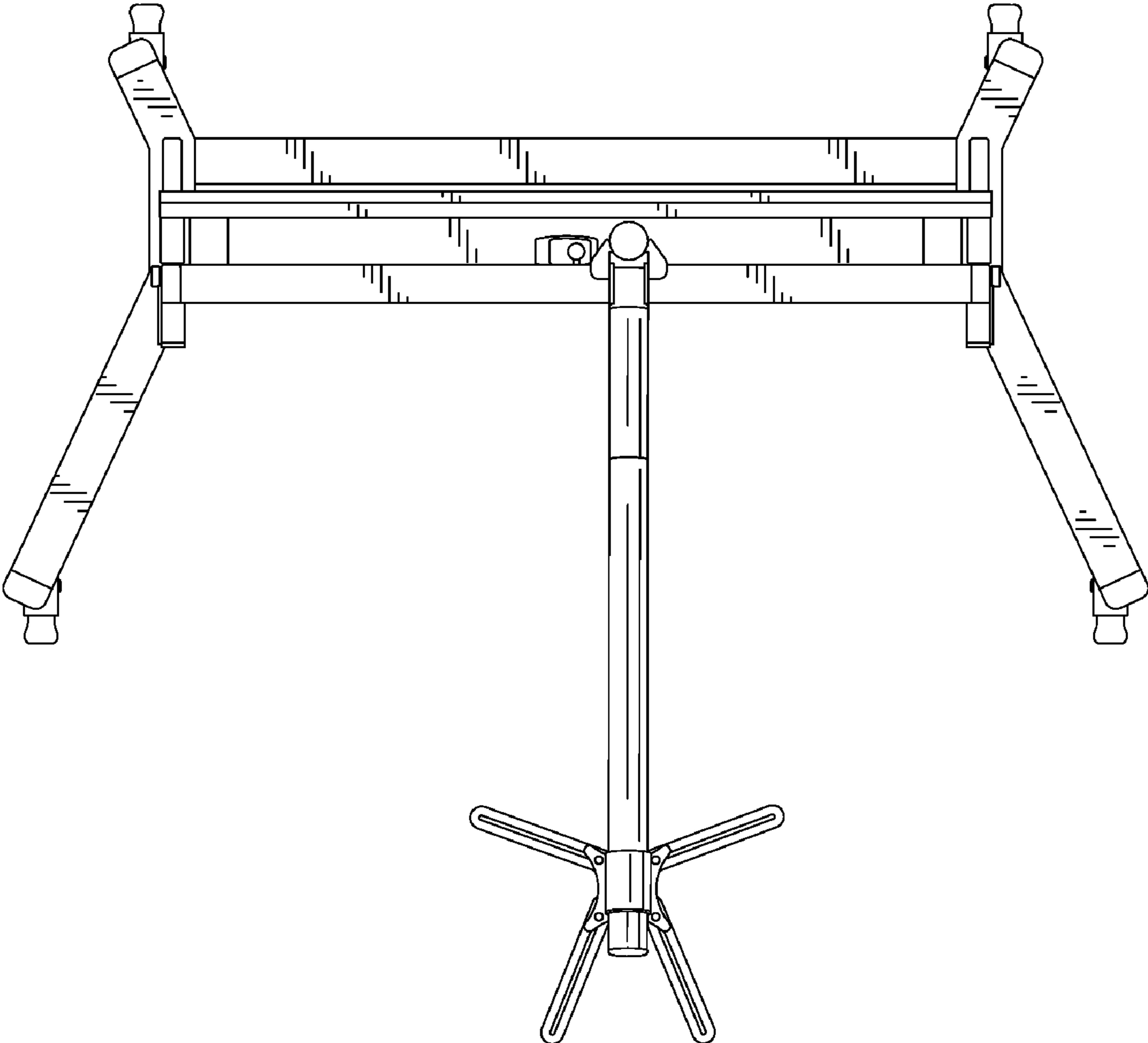


FIG. 6

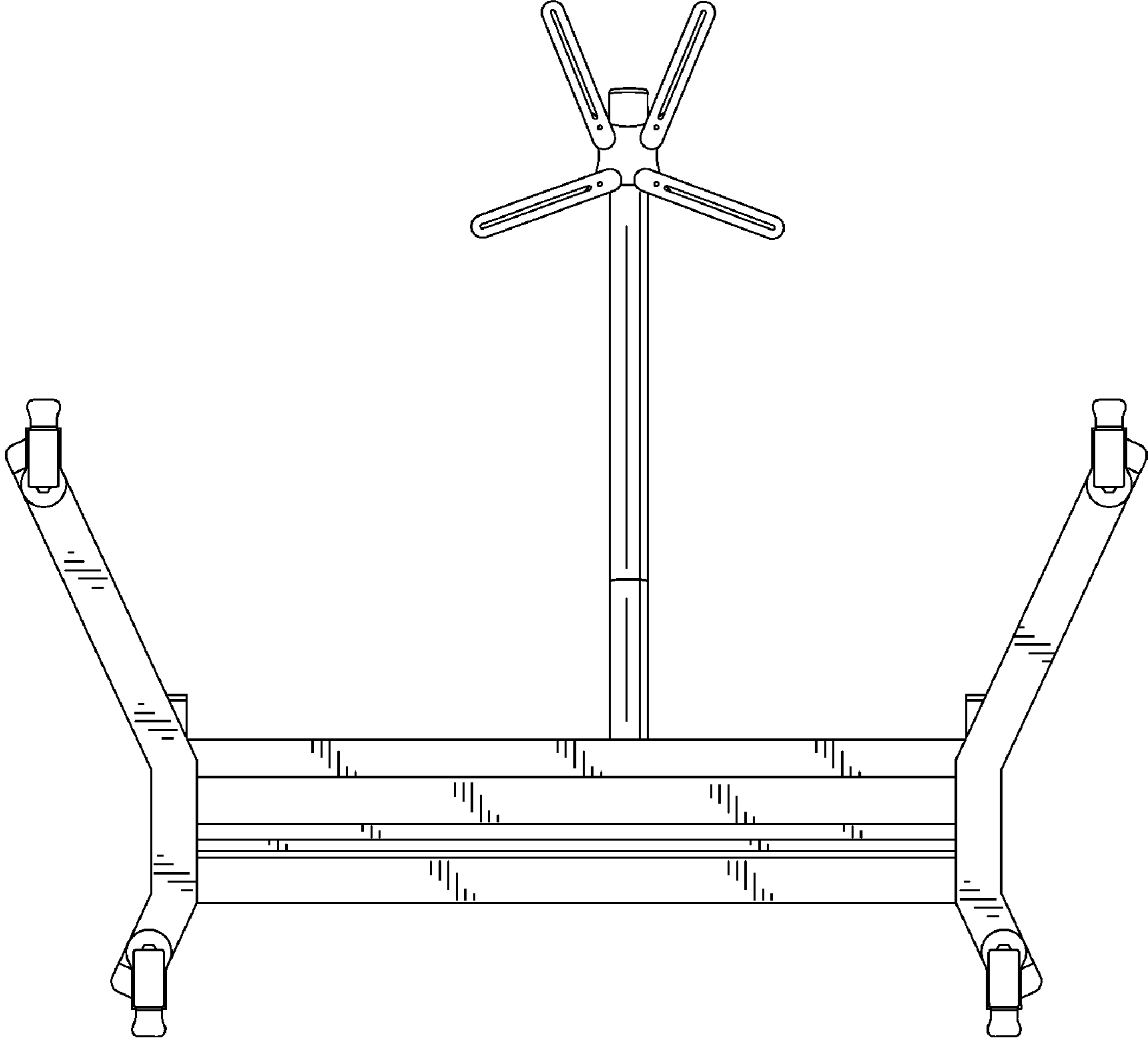


FIG. 7