



US00D626759S

(12) **United States Design Patent**
Joh

(10) **Patent No.:** **US D626,759 S**
(45) **Date of Patent:** **** Nov. 9, 2010**

(54) **OFFICE WORKSTATION**

(75) Inventor: **Nam Joo Joh**, Seoul (KR)

(73) Assignee: **Korea Polytechnic University Industry Academic Cooperation Foundation**, Siheung-si, Gyeonggi-do (KR)

(**) Term: **14 Years**

(21) Appl. No.: **29/340,685**

(22) Filed: **Jul. 23, 2009**

(30) **Foreign Application Priority Data**

Jul. 7, 2009 (KR) 30-2009-0029923

(51) **LOC (9) Cl.** **06-03**

(52) **U.S. Cl.** **D6/422; D6/426**

(58) **Field of Classification Search** D6/421-428, D6/484; 312/194-196, 239, 279; 108/50.01, 108/50.02

See application file for complete search history.

(56) **References Cited**

U.S. PATENT DOCUMENTS

D208,412 S *	8/1967	Bonk	D6/397
D252,660 S *	8/1979	Lerner et al.	D6/421
D270,690 S *	9/1983	Daventry	D6/426
D275,349 S *	9/1984	Thompson	D6/426
D300,392 S *	3/1989	Sapper	D6/426
D324,963 S *	3/1992	LaCour	D6/422
D526,811 S *	8/2006	Nicoletti	D6/421

D587,498 S * 3/2009 Iwamuro et al. D6/484

* cited by examiner

Primary Examiner—Janice E Seeger

(74) *Attorney, Agent, or Firm*—Ohlandt, Greeley, Ruggiero & Perle, L.L.P.

(57) **CLAIM**

I claim the ornamental design for an office workstation, as shown and described.

DESCRIPTION

FIG. 1 is a front, left side perspective view of a first embodiment of an office workstation according to the present invention;

FIG. 2 is a front planar view of the first embodiment of the office workstation of FIG. 1;

FIG. 3 is a back planar view of the first embodiment of the office workstation of FIG. 1;

FIG. 4 is a left side planar view of the first embodiment of the office workstation of FIG. 1;

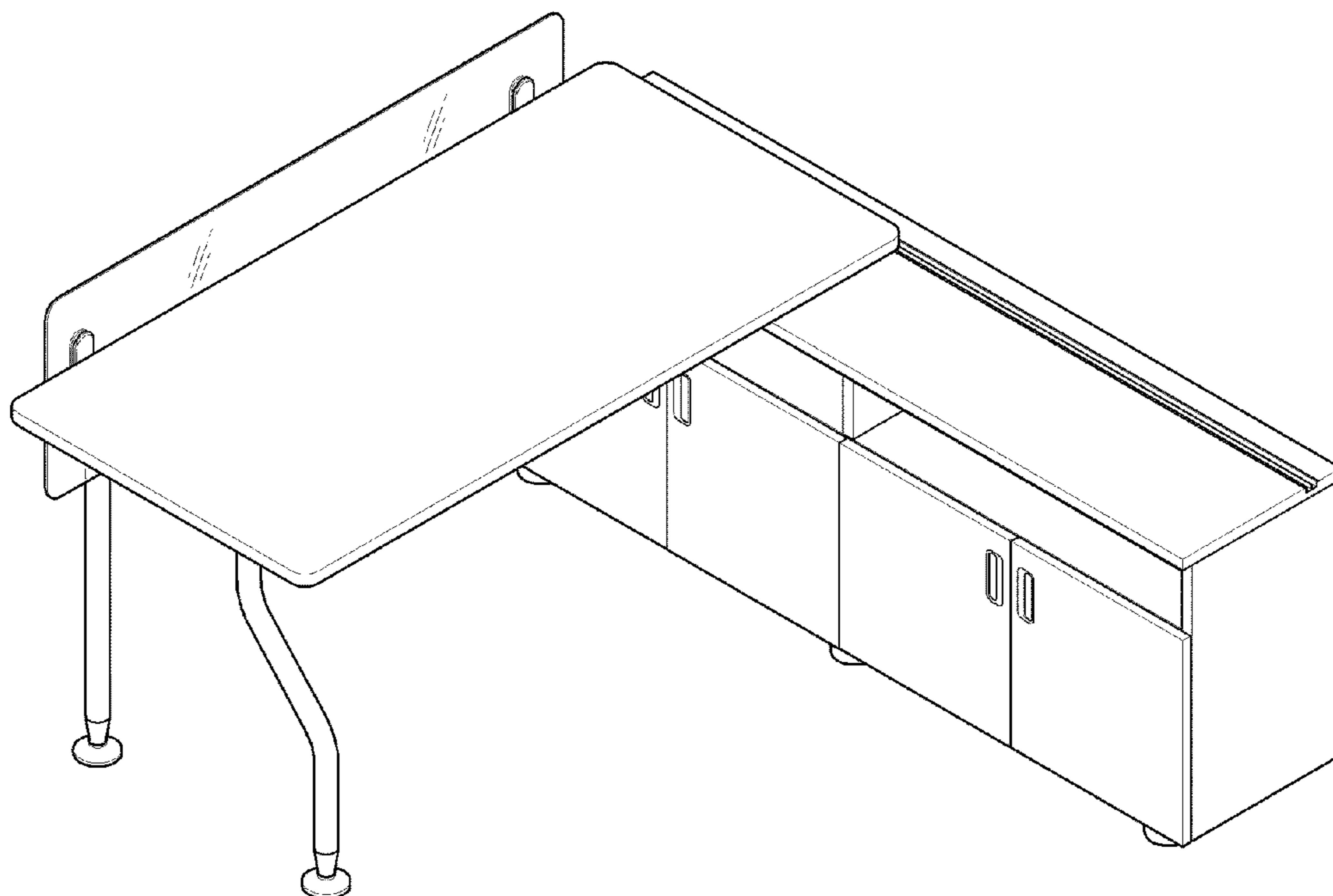
FIG. 5 is a right side planar view of the first embodiment of the office workstation of FIG. 1;

FIG. 6 is a top planar view of the first embodiment of the office workstation of FIG. 1; and,

FIG. 7 is a bottom planar view of the first embodiment of the office workstation of FIG. 1.

The broken lines are for environmental purposes only and form no part of the claimed design.

1 Claim, 7 Drawing Sheets



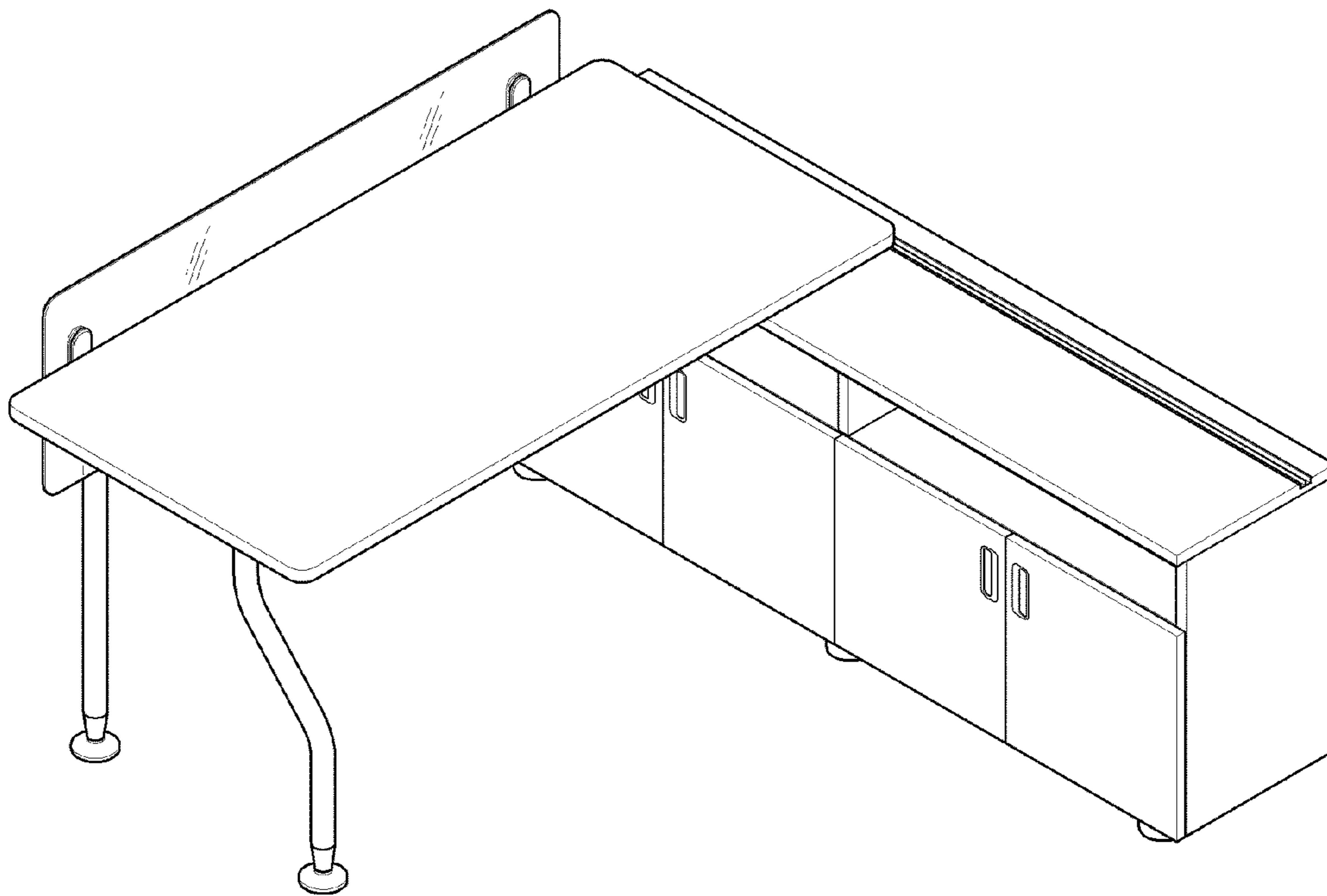


FIG. 1

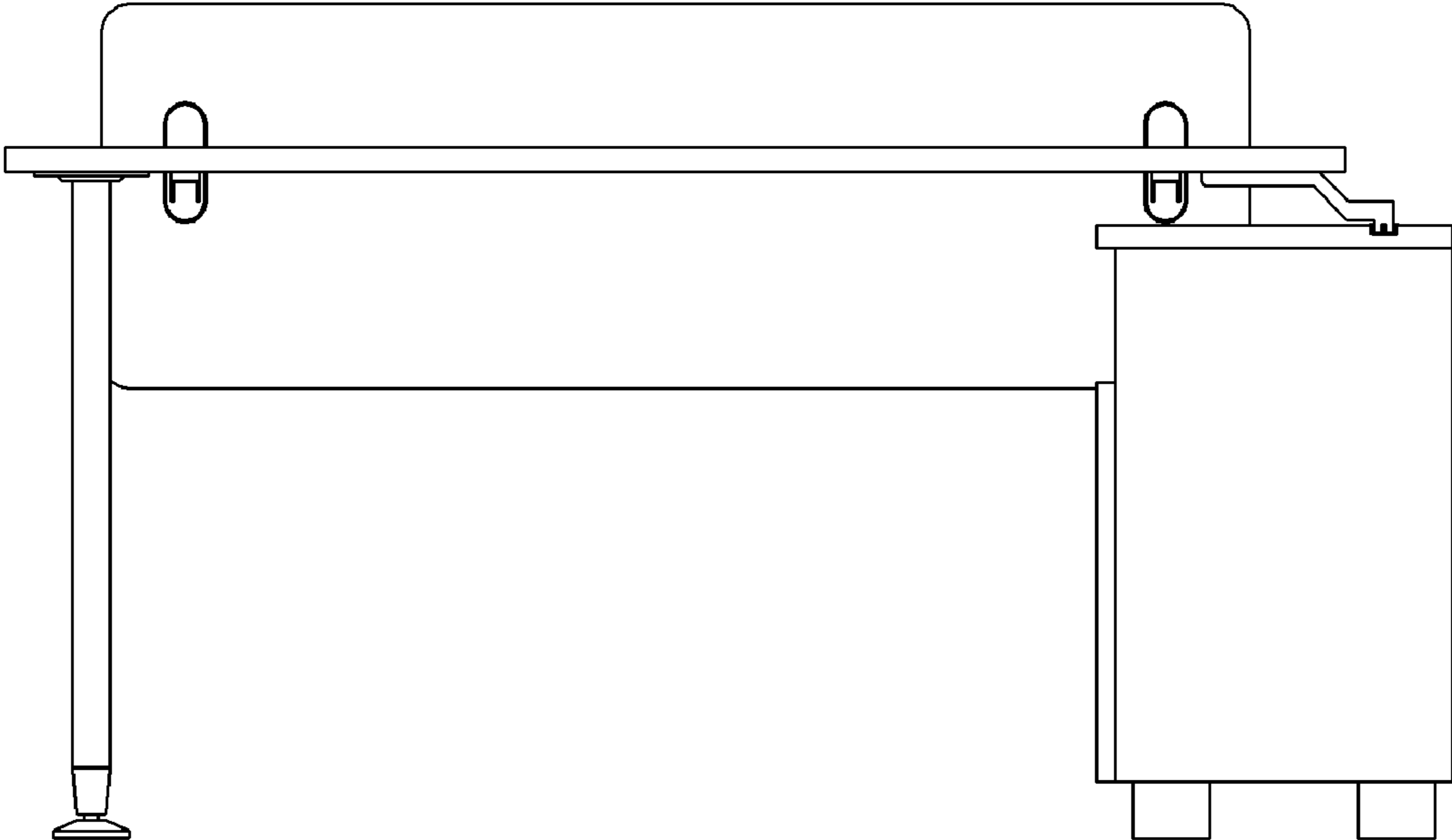


FIG. 2

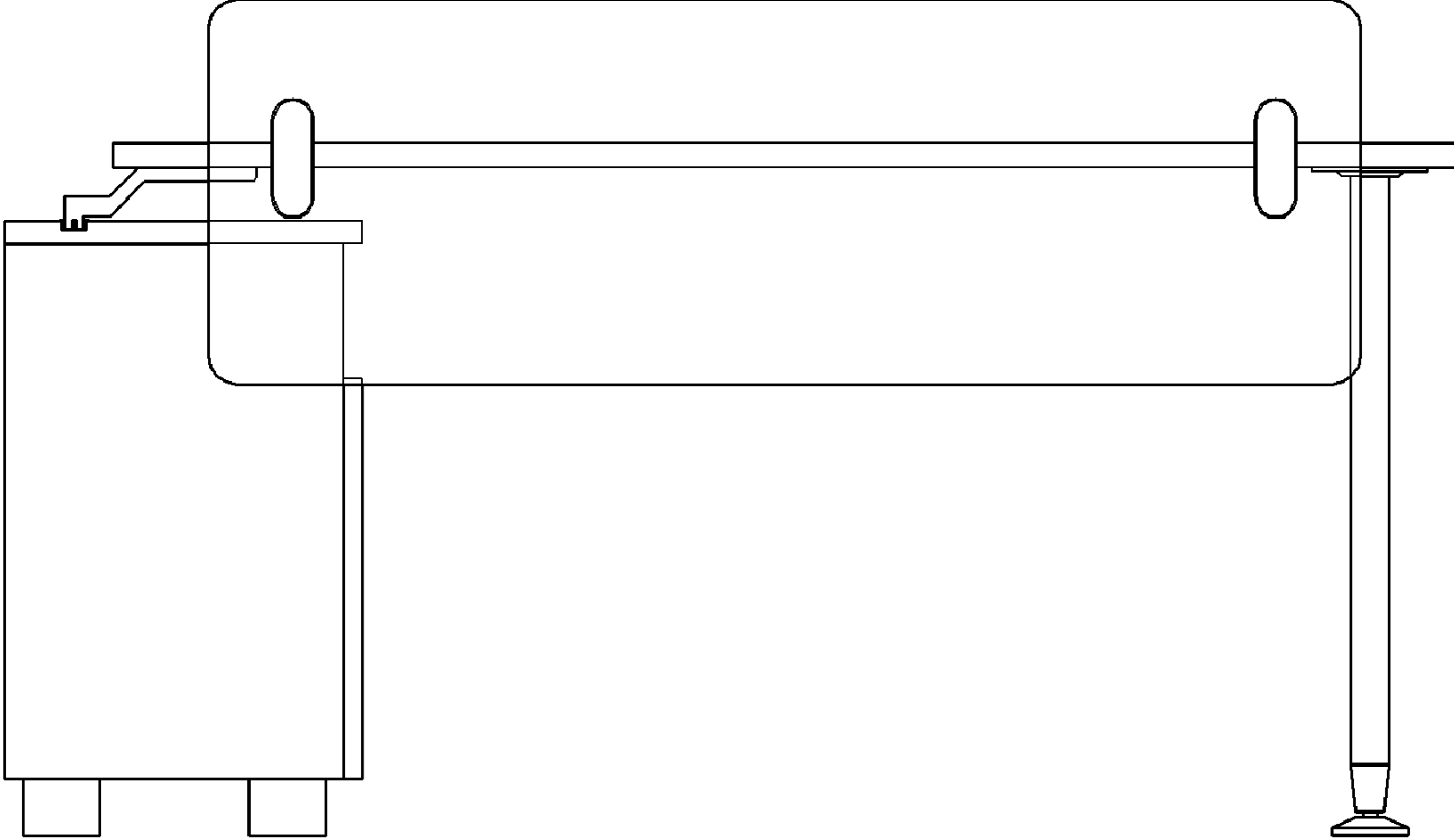


FIG. 3

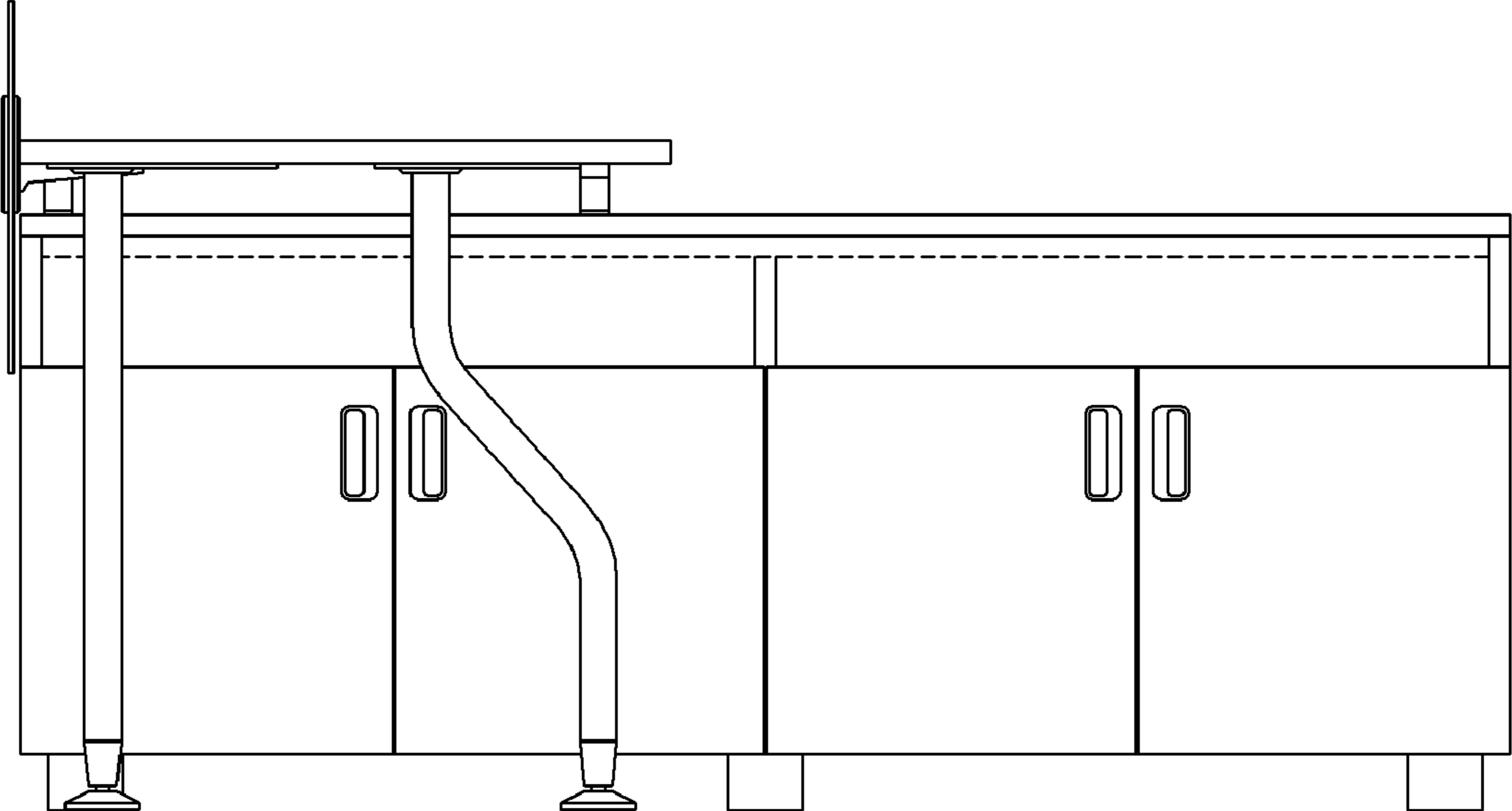


FIG. 4

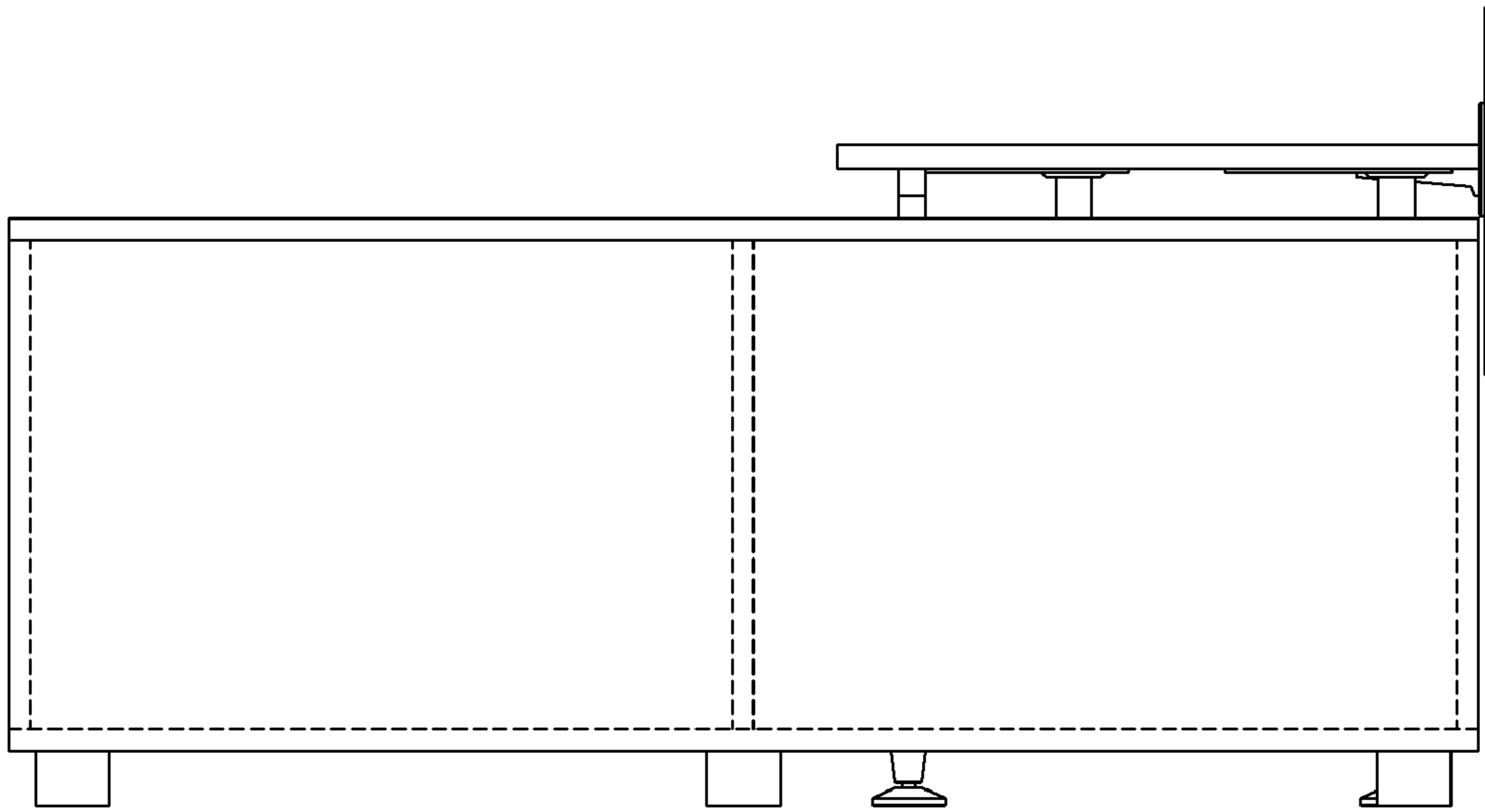


FIG. 5

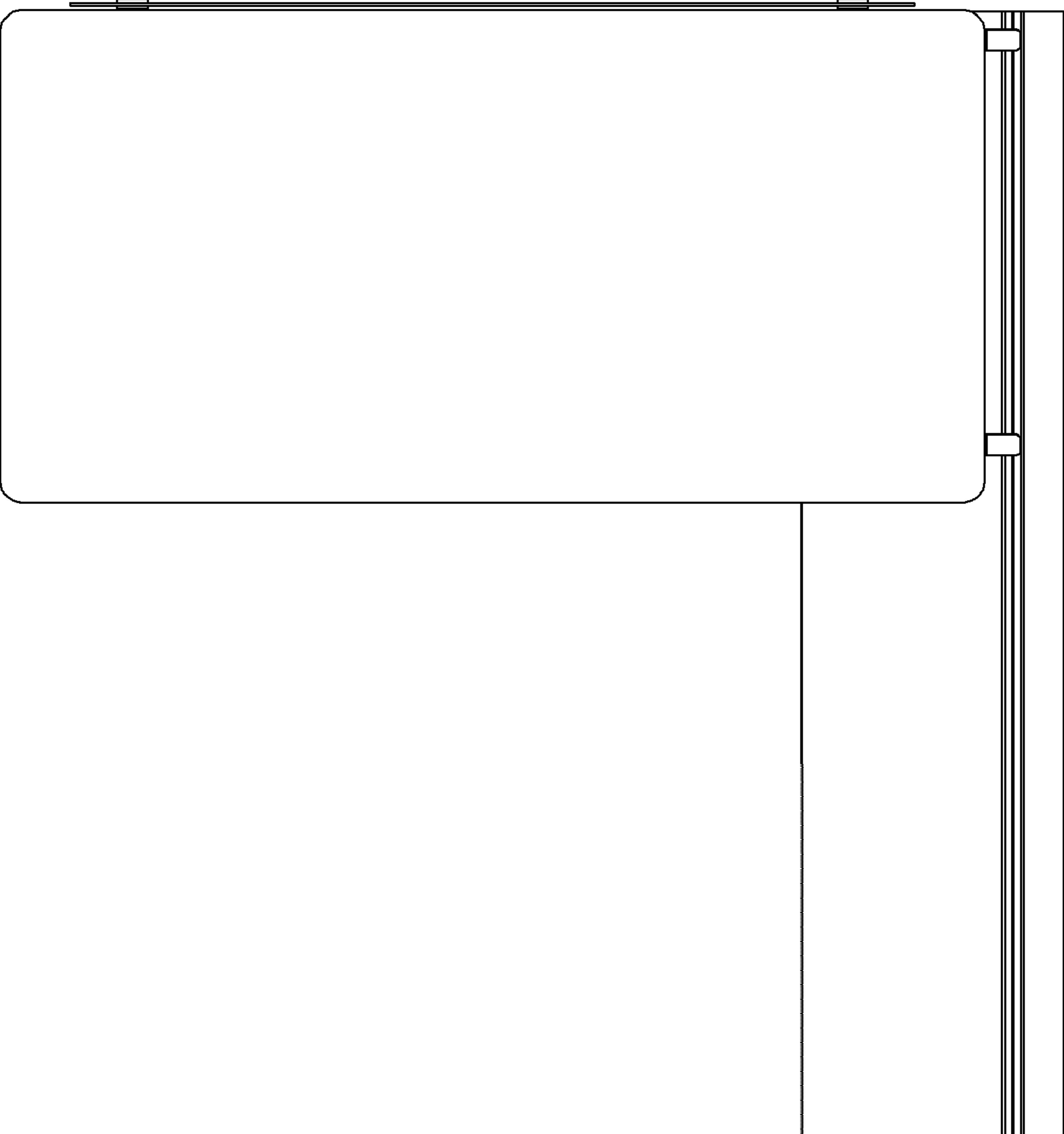


FIG. 6

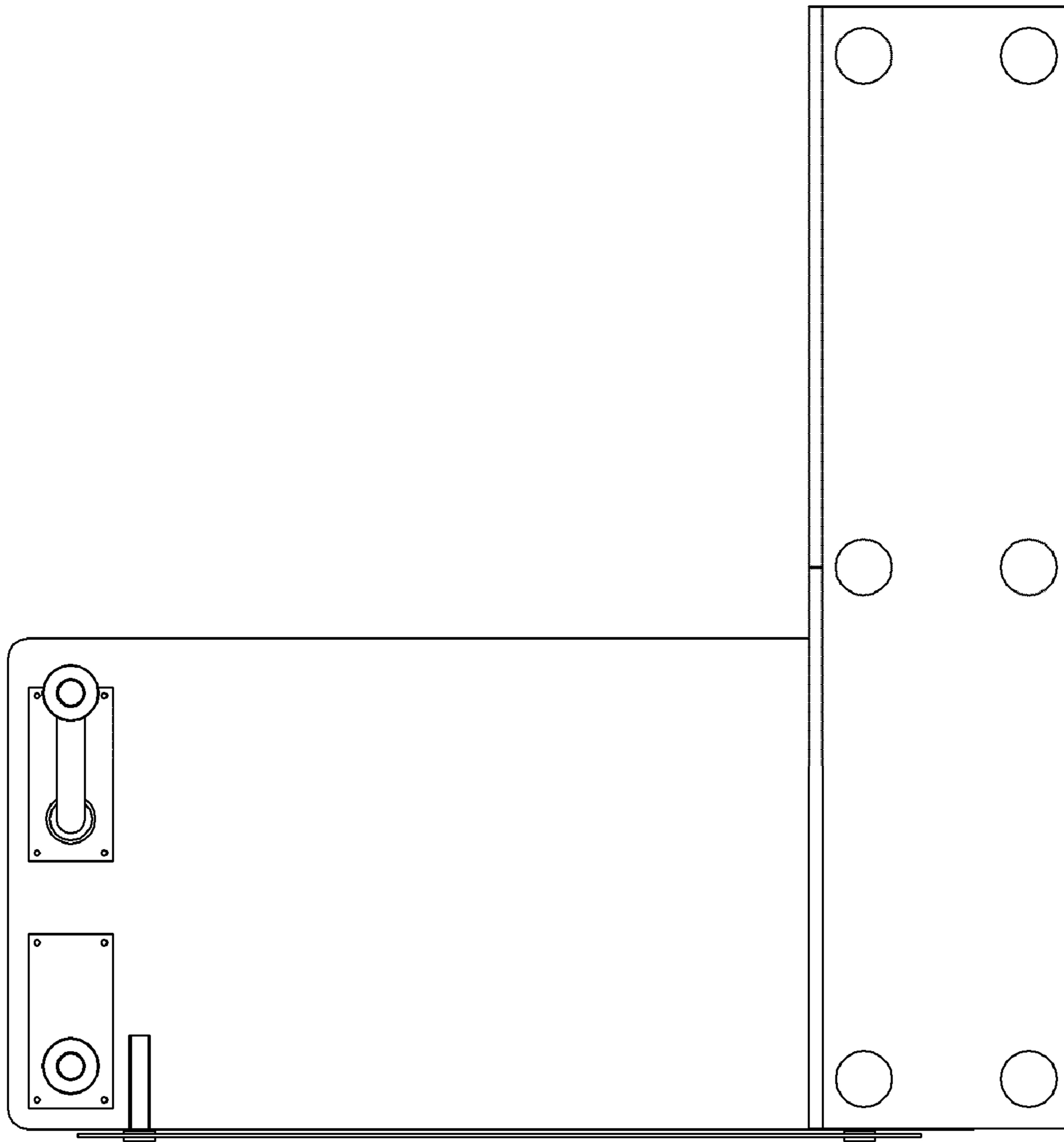


FIG. 7