

US00D626758S

(12) **United States Design Patent**
Hartenstine et al.

(10) **Patent No.:** **US D626,758 S**

(45) **Date of Patent:** **** Nov. 9, 2010**

(54) **CHILD SAFETY SEAT**

(75) Inventors: **Curtis M. Hartenstine**, Birdsboro, PA
(US); **Sharon A. Gillett**, Salem, OR
(US); **Robert E. Haut**, West Chester, PA
(US); **Michael H. Gillett**, Salem, OR
(US)

(73) Assignee: **Wonderland Nurserygoods Co., Ltd**,
Taipei (TW)

(**) Term: **14 Years**

(21) Appl. No.: **29/339,772**

(22) Filed: **Jul. 7, 2009**

(51) **LOC (9) Cl.** **06-01**

(52) **U.S. Cl.** **D6/339**

(58) **Field of Classification Search** D6/333,
D6/335, 339, 491, 500-502; D12/129; D21/412,
D21/419; 280/30, 31; 5/94, 98.1, 99.1, 101,
5/102, 105, 655; 297/183.1, 183.2, 183.3,
297/183.4, 184.13, 184.15, 184.17, 250.1,
297/255, 256.1, 256.15, 256.16; 24/200,
24/211

See application file for complete search history.

(56) **References Cited**

U.S. PATENT DOCUMENTS

D262,242 S * 12/1981 Molnar D6/333
D272,692 S * 2/1984 Hallgren D6/333
D278,482 S * 4/1985 Takada D6/333
D360,307 S * 7/1995 Kain D6/333
D365,691 S * 1/1996 Sedlack D6/333

D376,917 S * 12/1996 Kain D6/333
D383,316 S * 9/1997 Kain D6/333
D385,116 S * 10/1997 Kiser et al. D6/333
D453,631 S * 2/2002 Kassai et al. D6/333
D461,646 S * 8/2002 Kain D6/333
D558,990 S * 1/2008 Glance D6/333
D560,375 S * 1/2008 Grohs D6/333
D600,027 S * 9/2009 Martin et al. D6/333

* cited by examiner

Primary Examiner—Sandra Snapp

(74) *Attorney, Agent, or Firm*—Rajesh Vallabh; Foley Hoag
LLP

(57) **CLAIM**

The ornamental design for child safety seat, as shown and
described.

DESCRIPTION

FIG. 1 is a perspective view of child safety seat showing my
new design;

FIG. 2 is a front elevational view thereof;

FIG. 3 is a rear elevational view thereof;

FIG. 4 is a left side elevational view thereof;

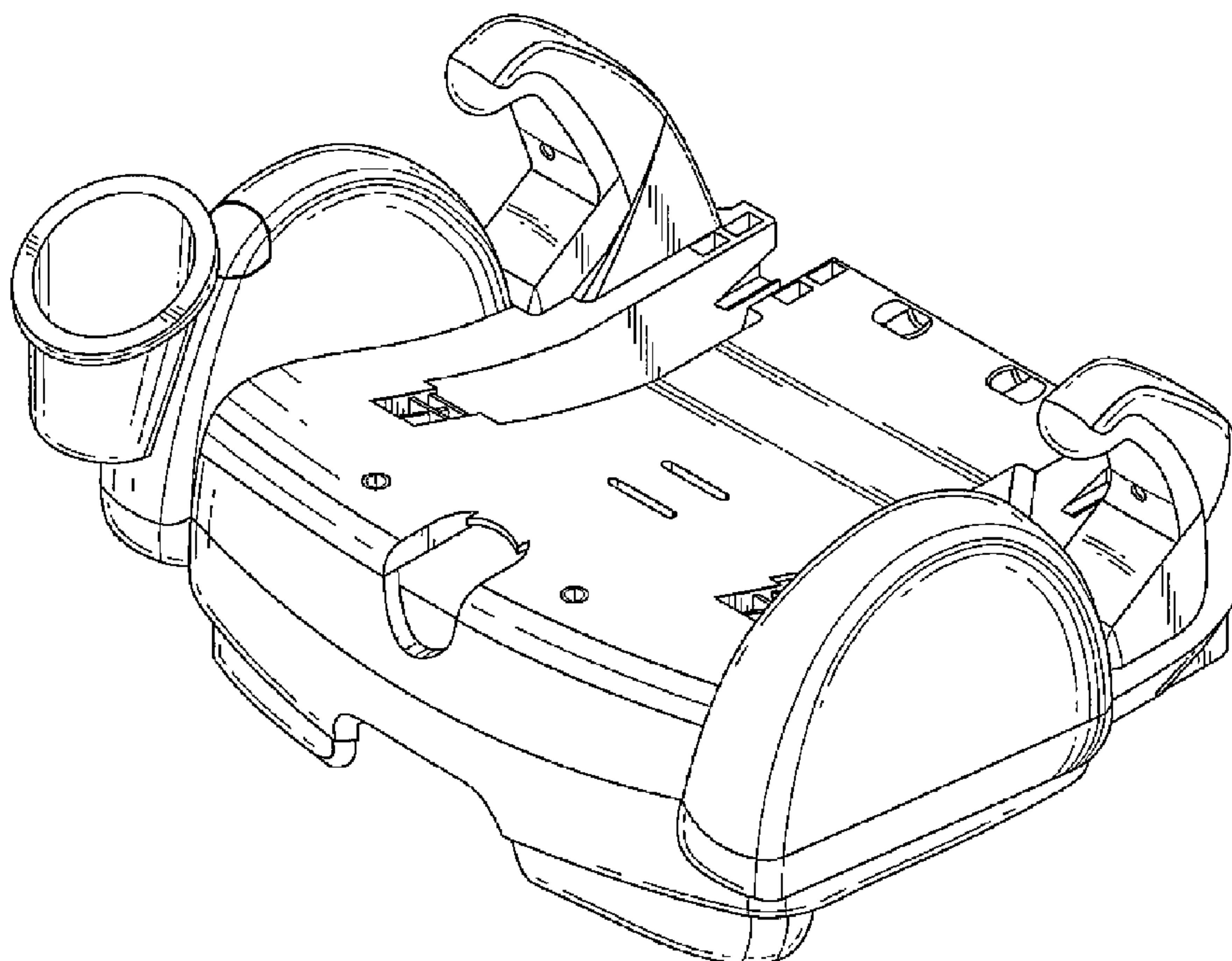
FIG. 5 is a right side elevational view thereof;

FIG. 6 is a top plan view thereof; and,

FIG. 7 is a bottom plan view thereof.

The portions of the child safety seat shown in broken lines are
for illustrative purposes only and form no part of the claimed
design.

1 Claim, 5 Drawing Sheets



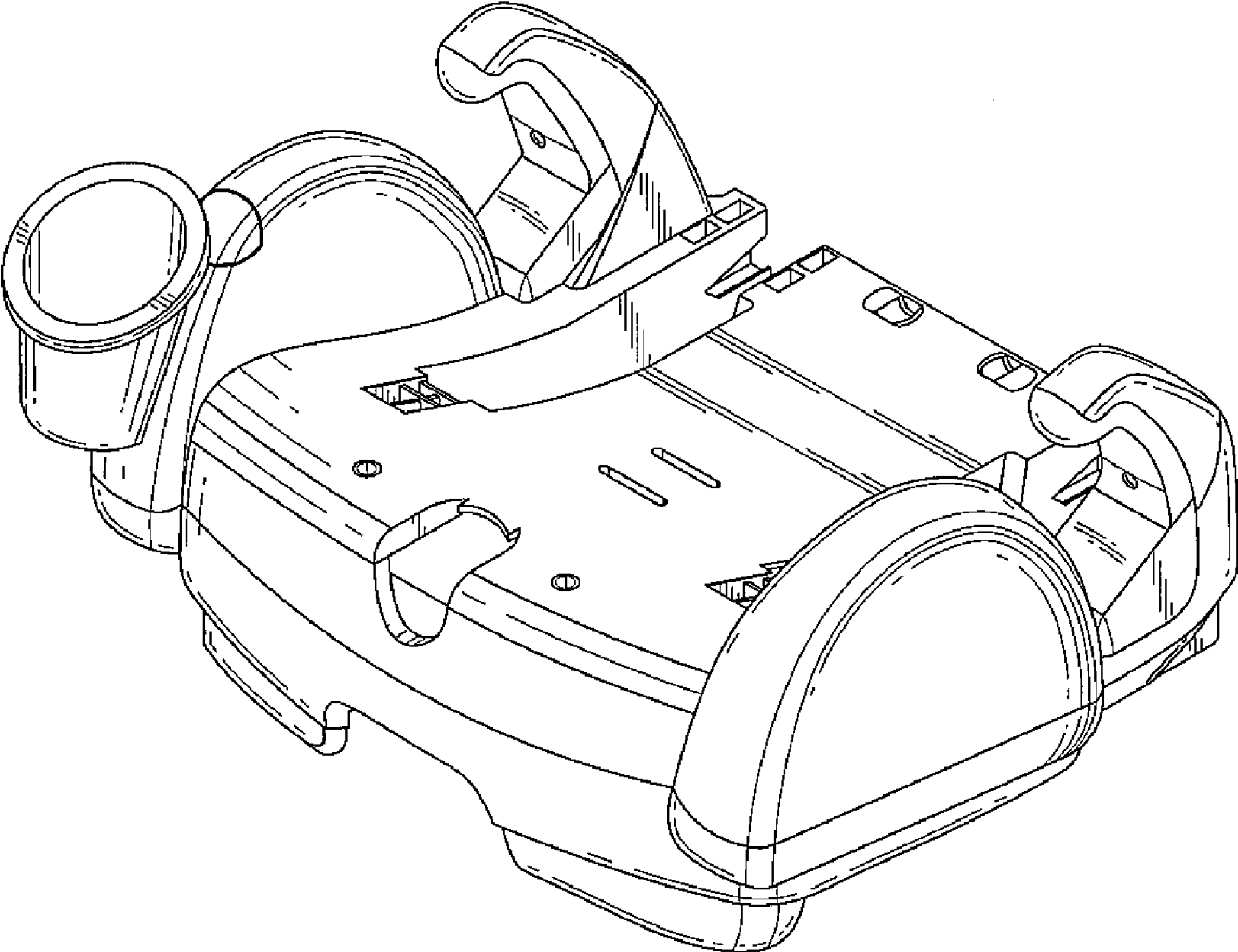


FIG. 1

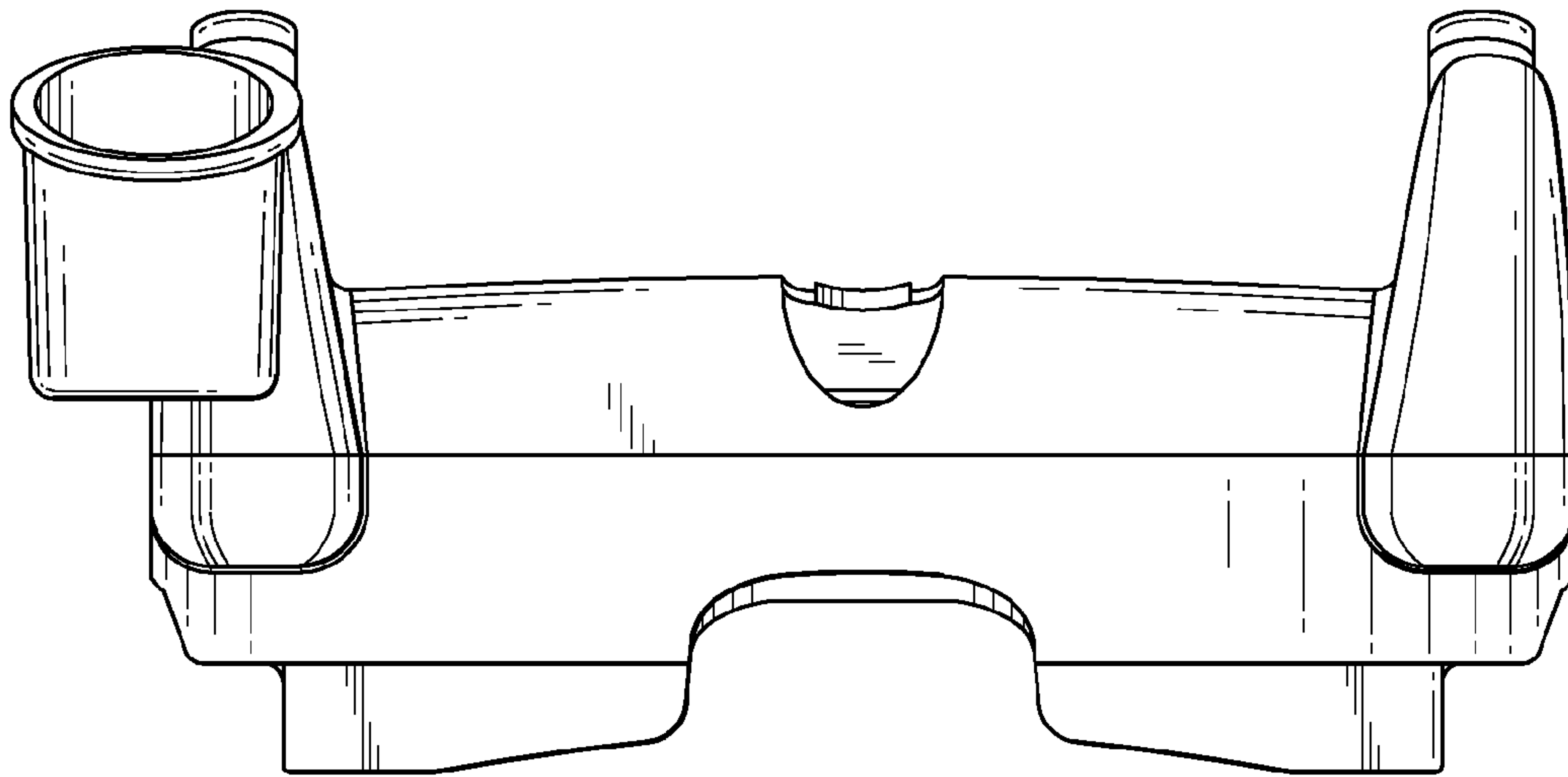


FIG. 2

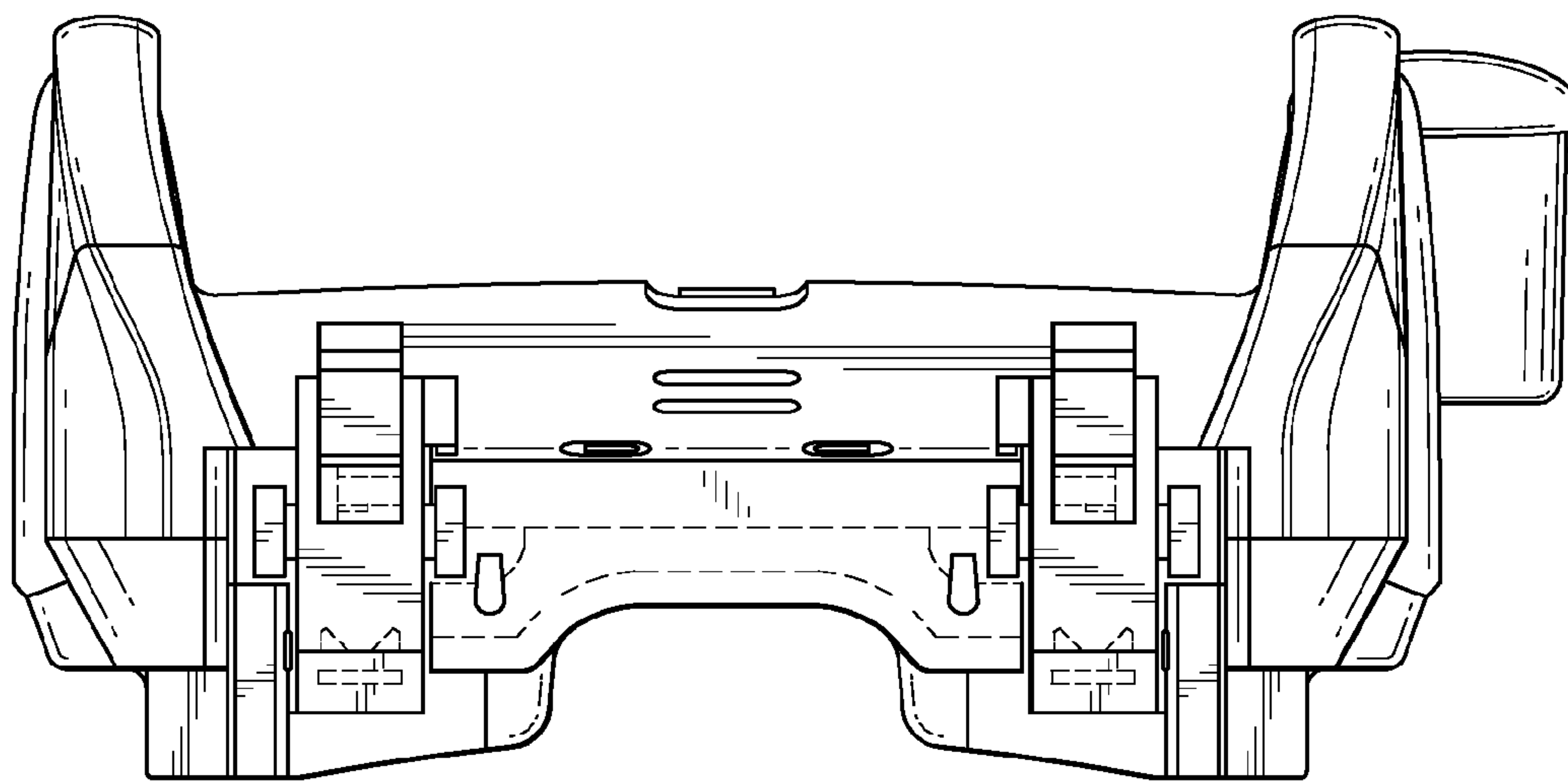


FIG. 3

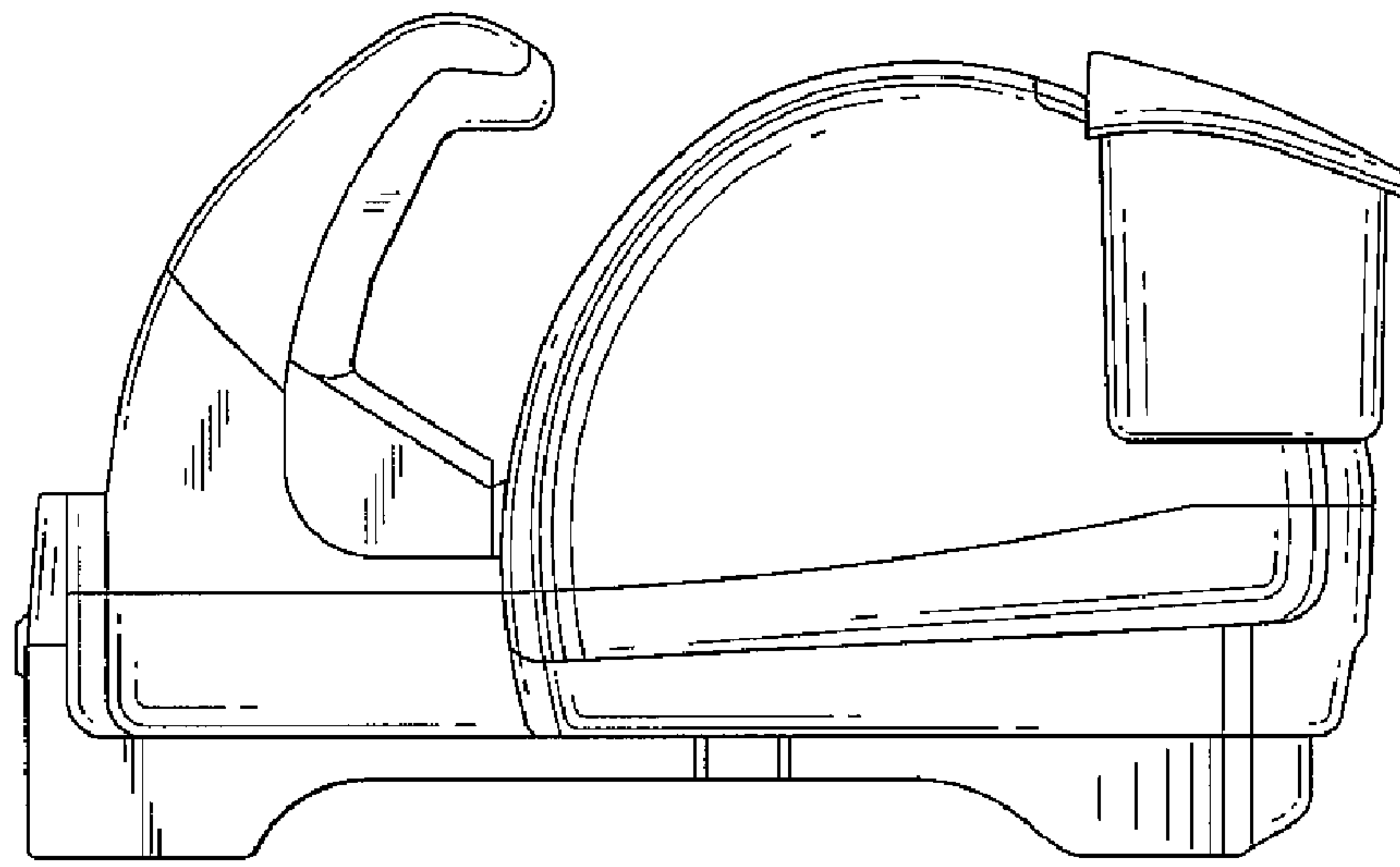


FIG. 4

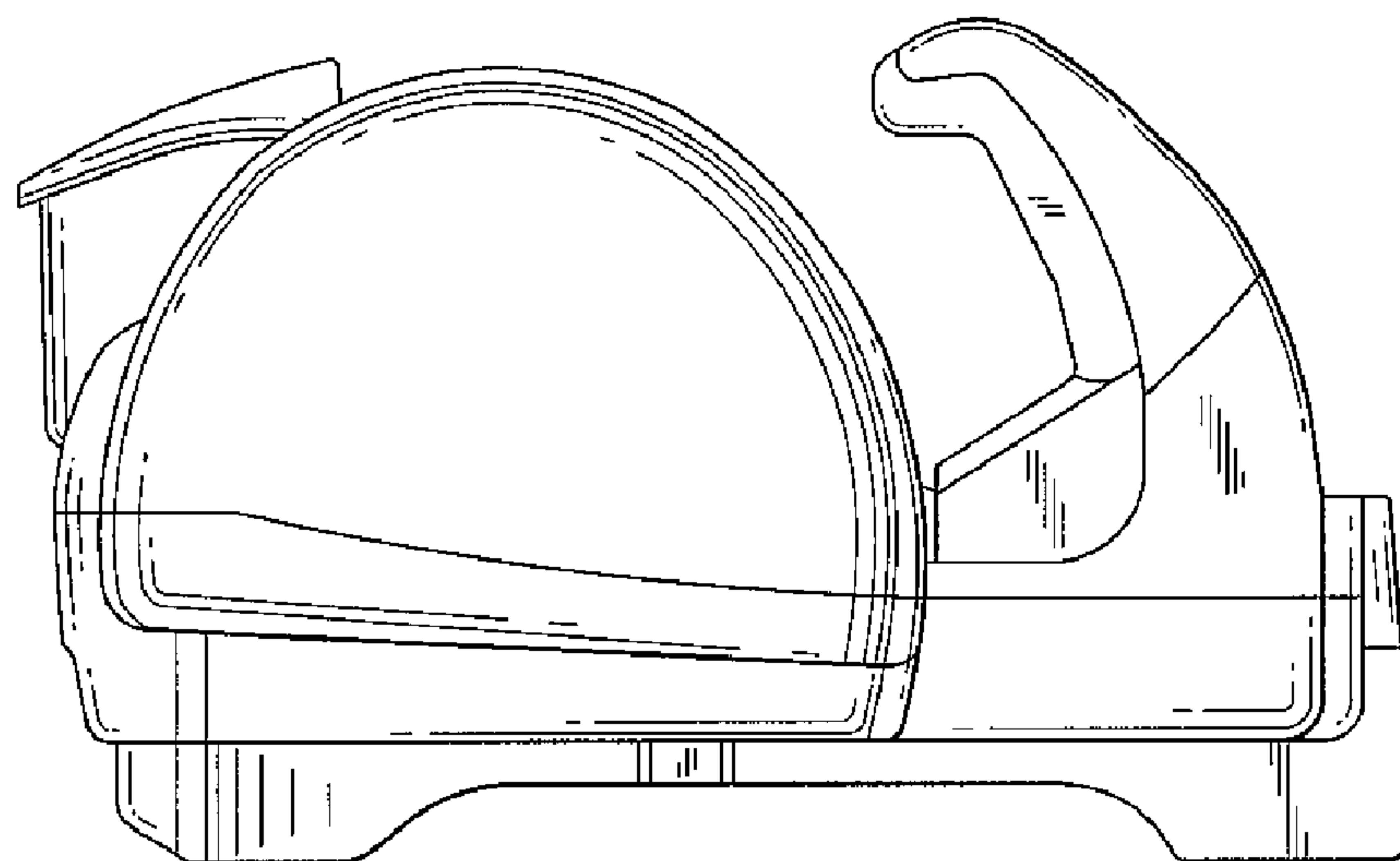


FIG. 5

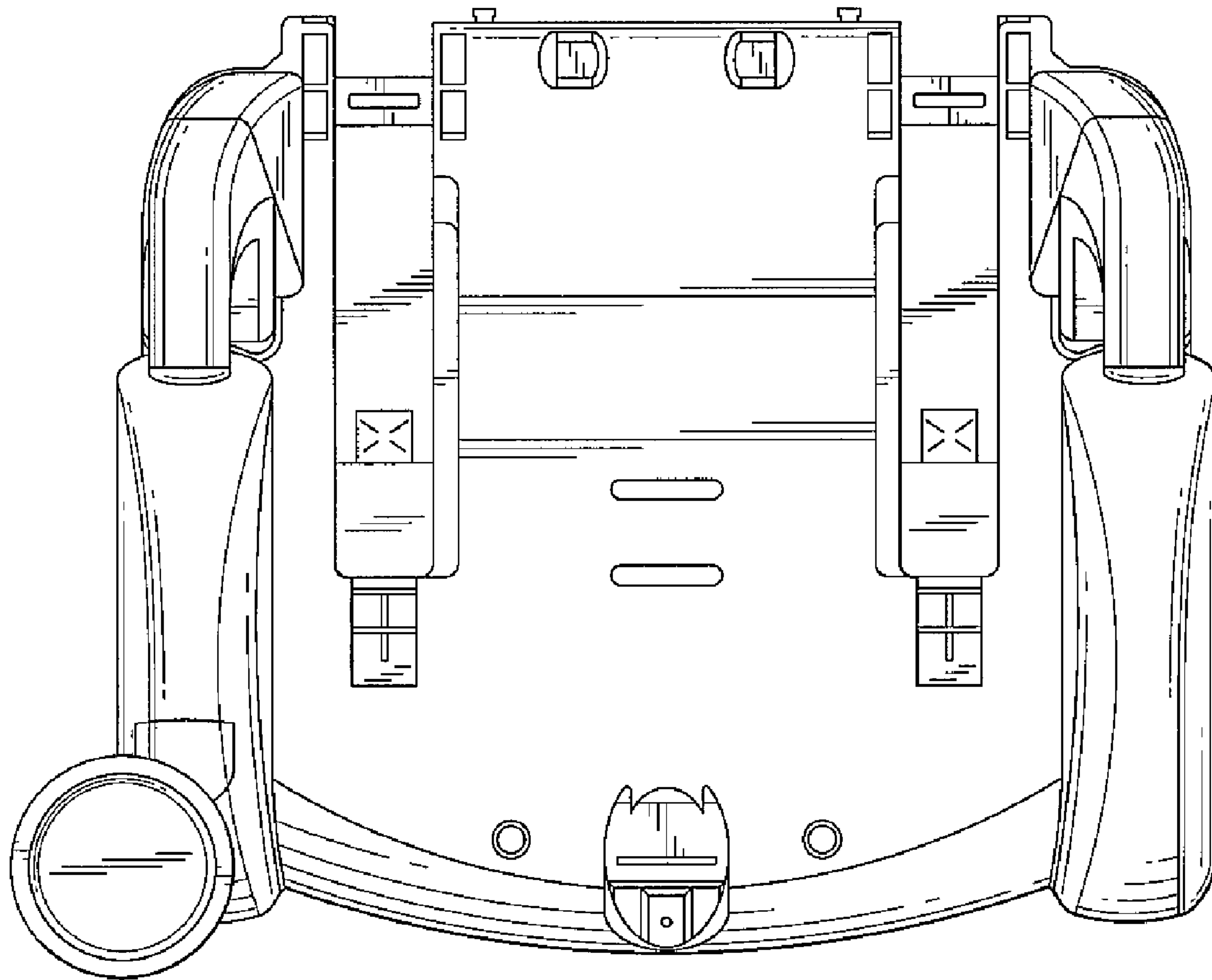


FIG. 6

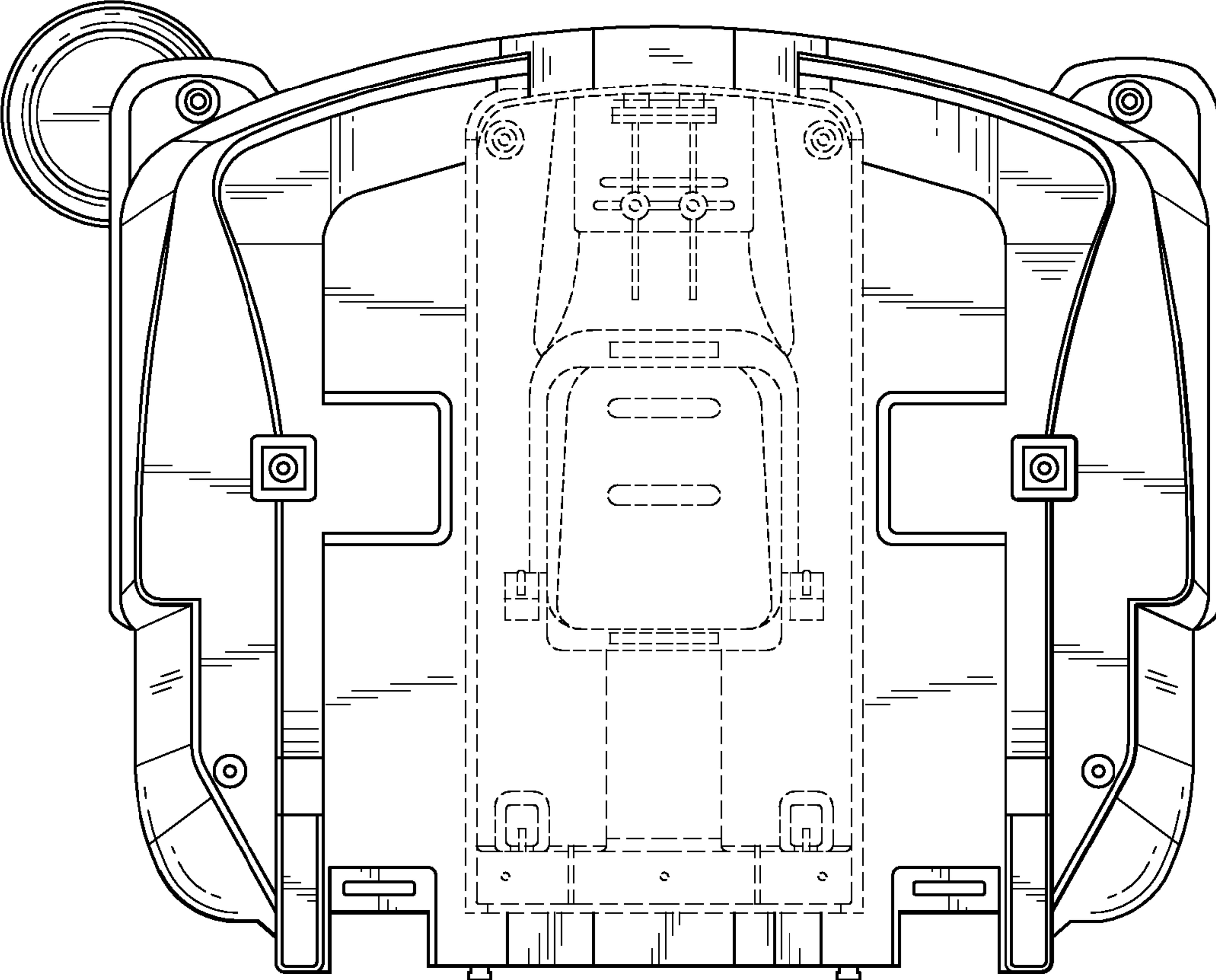


FIG. 7