



US00D626754S

(12) **United States Design Patent**
Tramontini

(10) **Patent No.:** **US D626,754 S**

(45) **Date of Patent:** **** Nov. 9, 2010**

(54) **HANGER ASSEMBLY FOR SUPPORTING UNDERGARMENTS**

D275,437 S * 9/1984 Mize D6/315
D378,475 S * 3/1997 Brown D6/317
D394,557 S * 5/1998 Wilcox D6/318
D407,565 S * 4/1999 Wilcox D6/319

(76) **Inventor:** **Andrea Lisa Tramontini**, 8933 Fredric Ave., Sacramento, CA (US) 95826

* cited by examiner

(**) **Term:** **14 Years**

Primary Examiner—Shanda C Hill

(21) **Appl. No.:** **29/349,165**

(57) **CLAIM**

(22) **Filed:** **Mar. 15, 2010**

The ornamental design for a hanger assembly for supporting undergarments, as shown and described.

(51) **LOC (9) Cl.** **06-08**

(52) **U.S. Cl.** **D6/317**

(58) **Field of Classification Search** D6/315,
D6/317, 318, 319; 211/1, 13.1, 85.3, 113,
211/119; 223/85-98

DESCRIPTION

FIG. 1 is a front elevational view of a hanger assembly for supporting undergarments showing my new design;

FIG. 2 is a right side elevational view thereof;

FIG. 3 is a left side elevational view thereof;

FIG. 4 is a top plan view thereof; and,

FIG. 5 is a bottom plan view thereof.

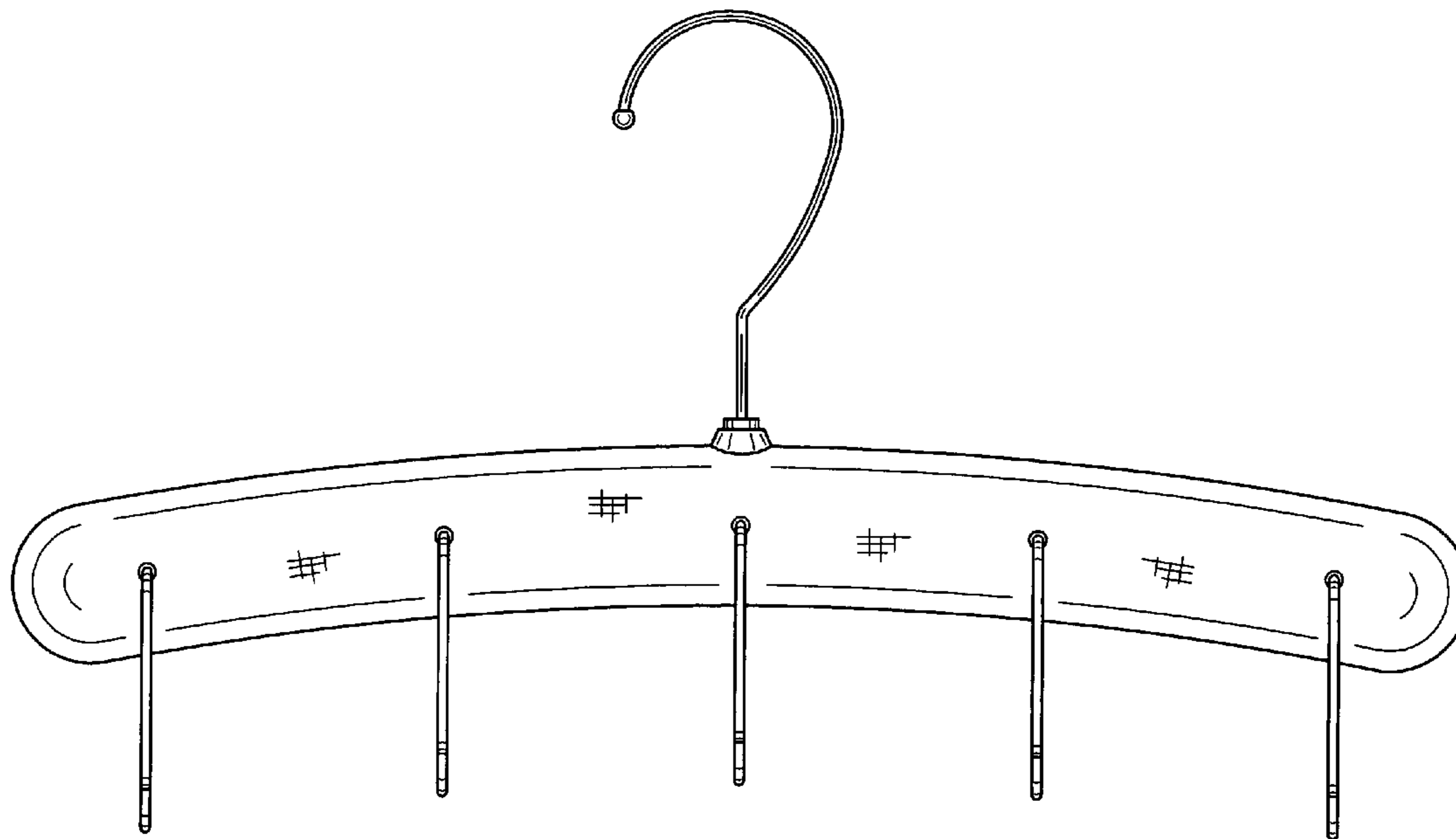
See application file for complete search history.

(56) **References Cited**

U.S. PATENT DOCUMENTS

1,815,673 A * 7/1931 Kelley 211/119

1 Claim, 4 Drawing Sheets



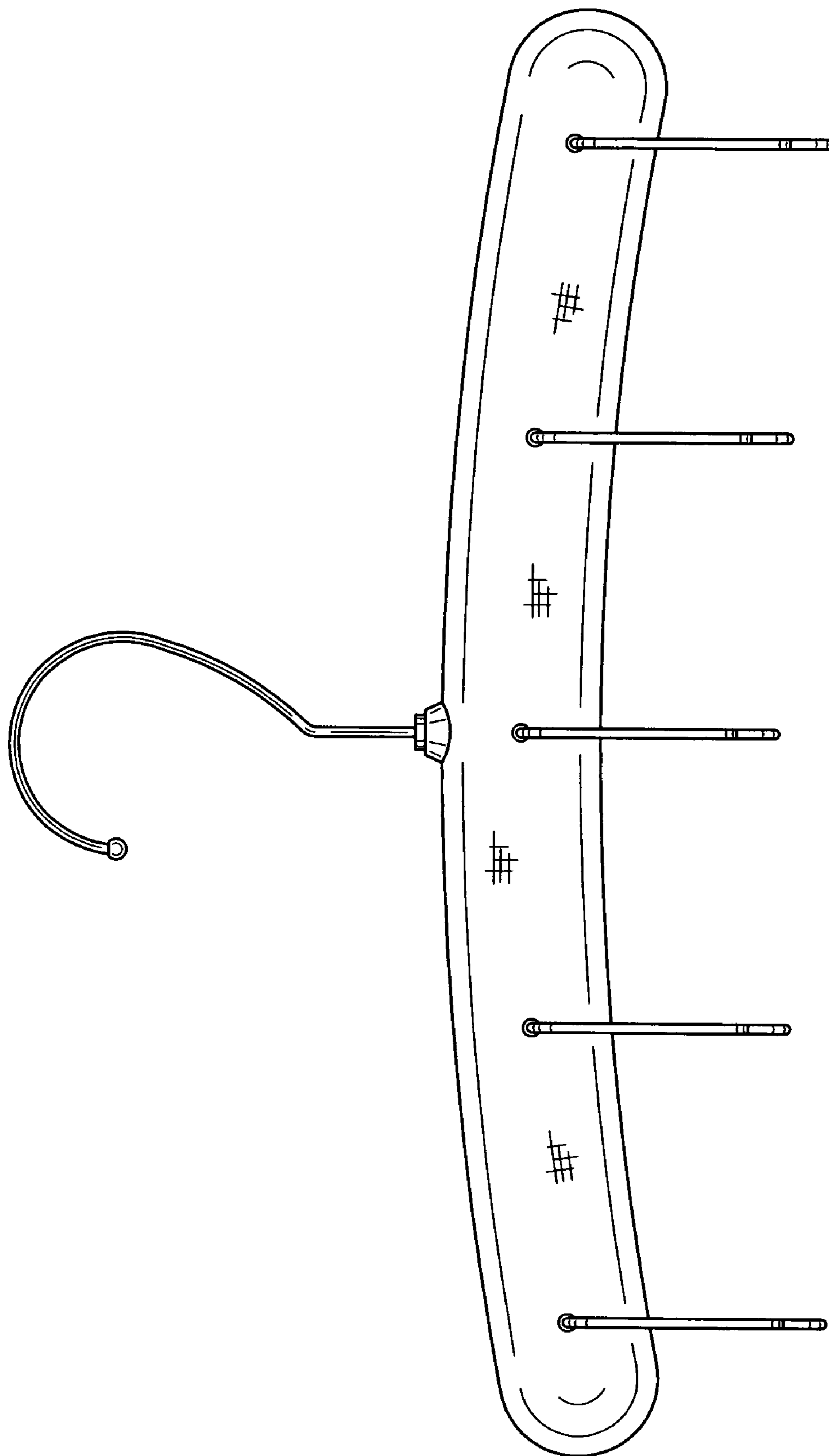


FIG. 1

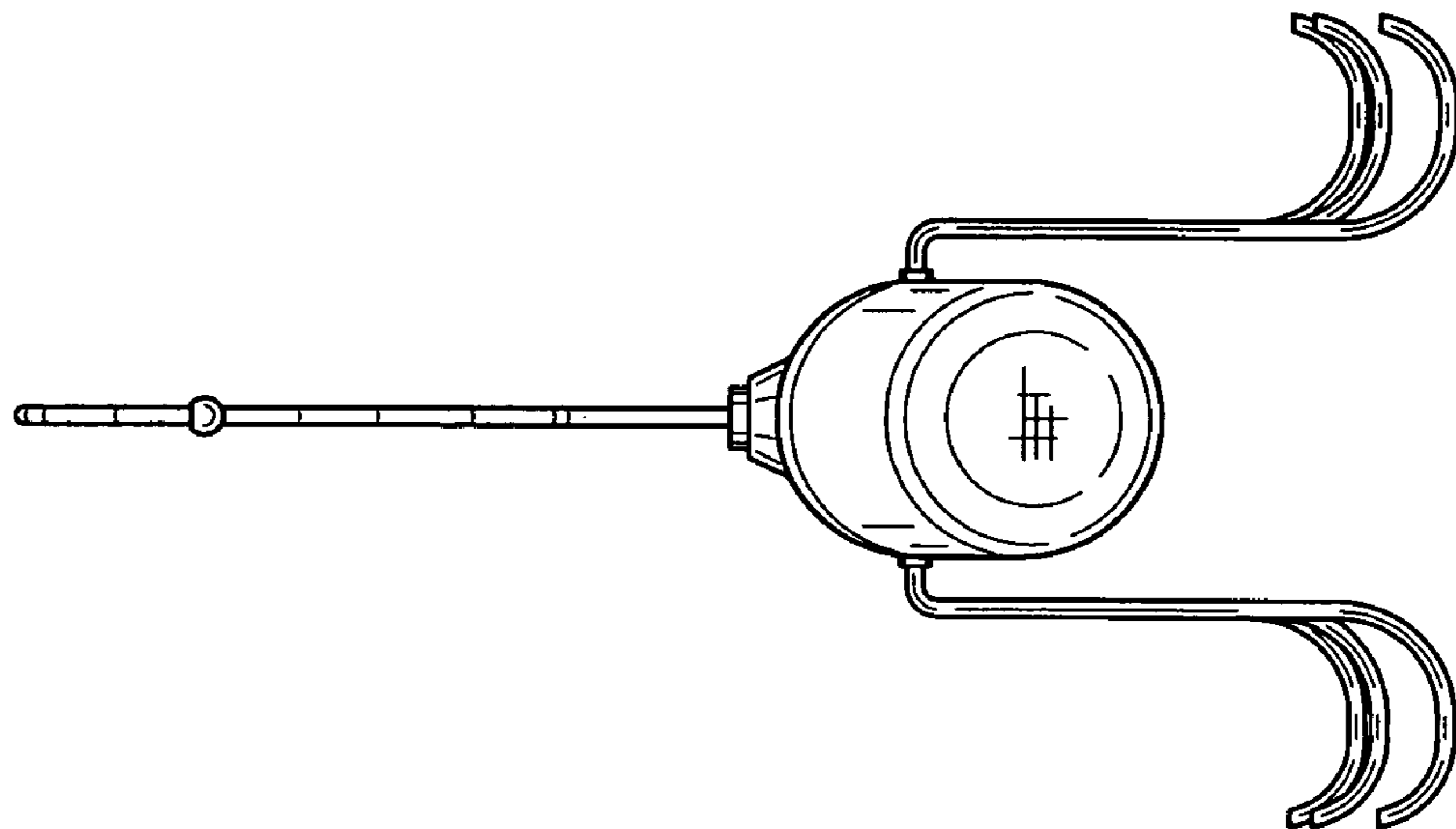


FIG. 3

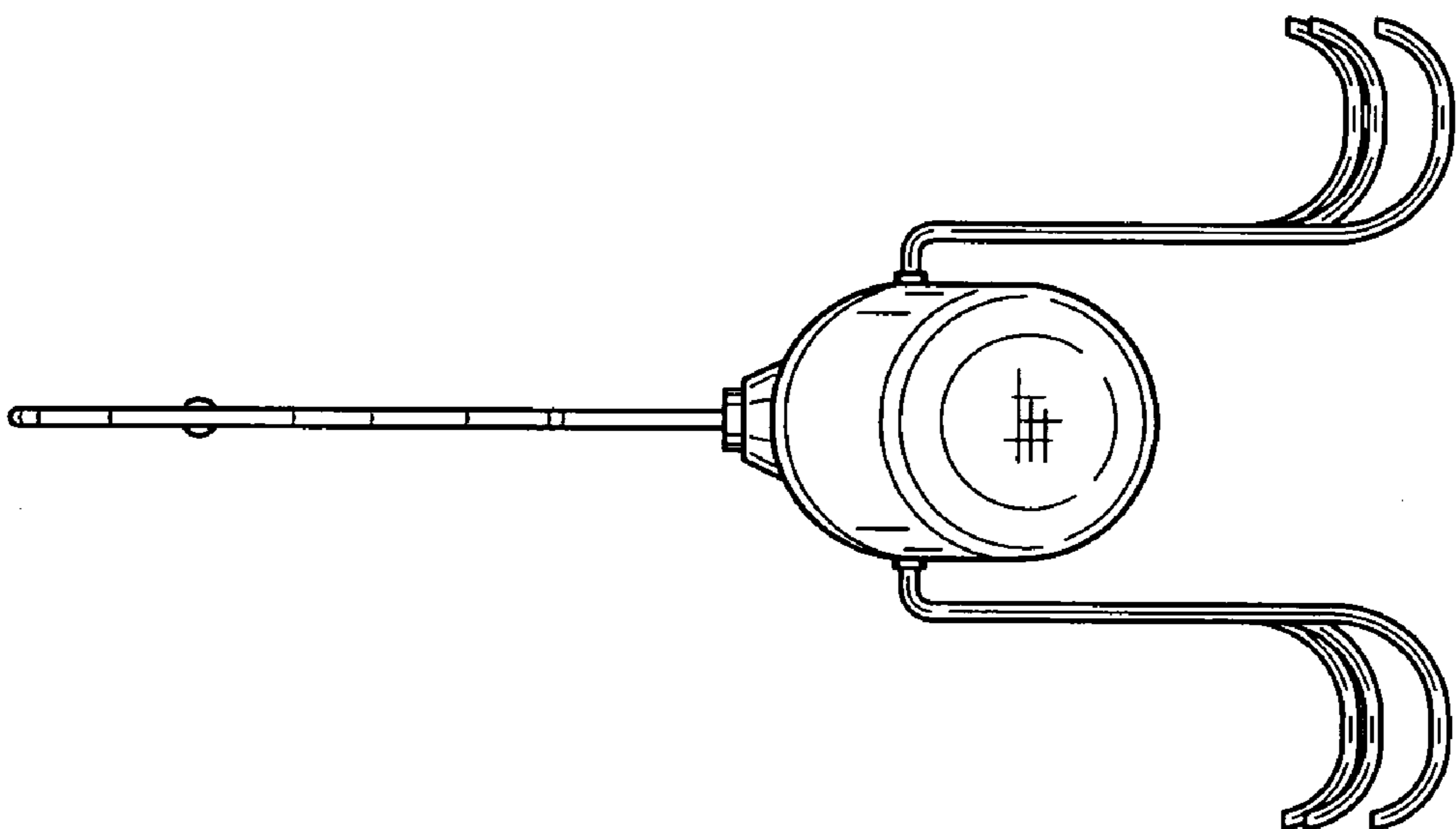


FIG. 2

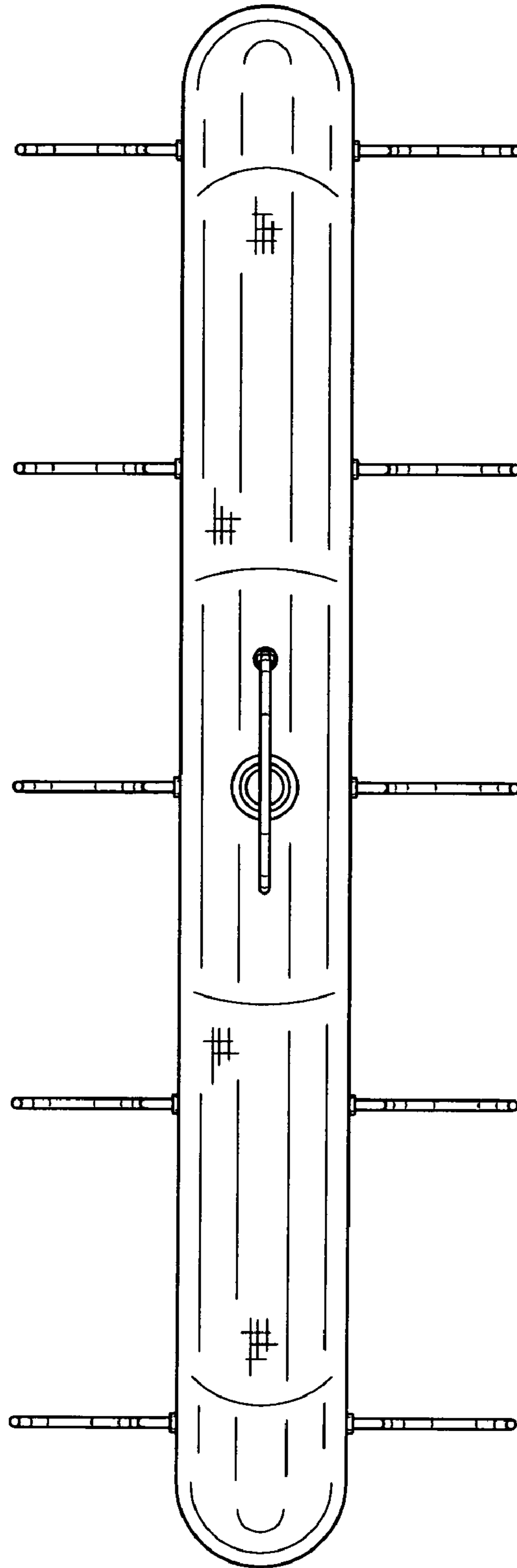


FIG. 4

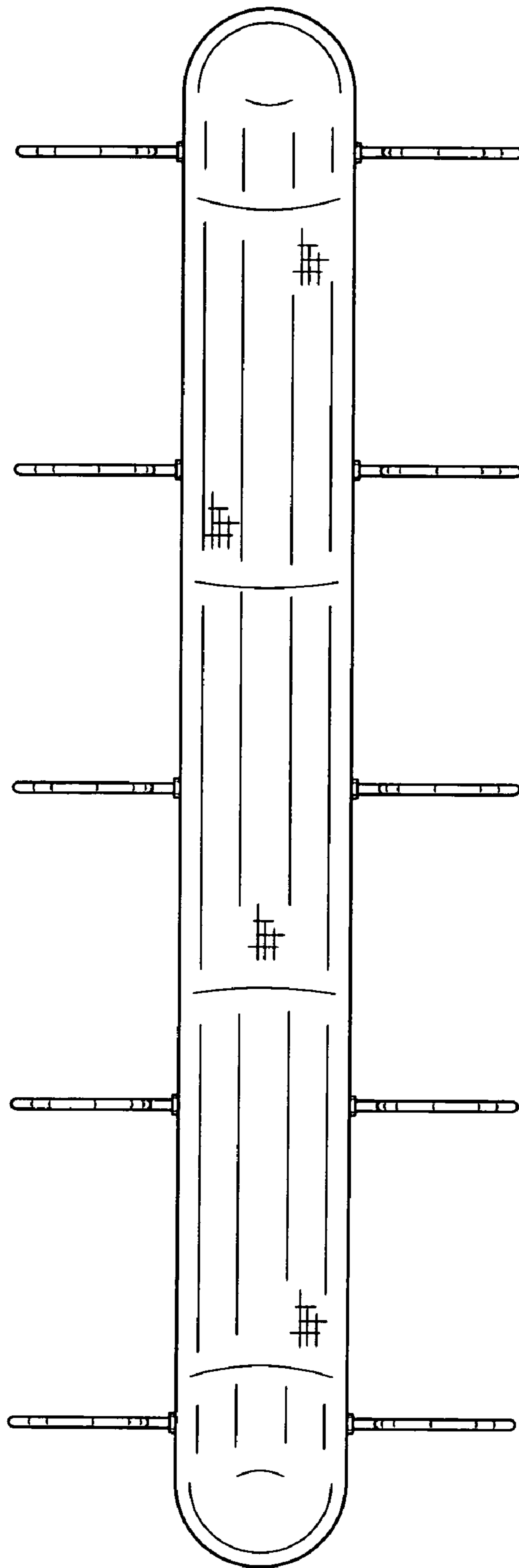


FIG. 5