



US00D626750S

(12) **United States Design Patent**
Armstrong

(10) **Patent No.:** **US D626,750 S**

(45) **Date of Patent:** **** Nov. 9, 2010**

(54) **APPLICATOR FOR PAINT AND OTHER LIQUIDS**

(75) **Inventor:** **Steven Armstrong**, San Juan Capistrano, CA (US)

(73) **Assignee:** **Architectural Color Solutions, Inc.**, Estes Park, CO (US)

(**) **Term:** **14 Years**

(21) **Appl. No.:** **29/341,900**

(22) **Filed:** **Aug. 14, 2009**

(51) **LOC (9) Cl.** **08-05**

(52) **U.S. Cl.** **D4/114; D4/116; D4/122**

(58) **Field of Classification Search** D4/114, D4/116, 122; D32/45; 15/104.92, 230.11; 401/196, 197, 205-208, 218-220; 118/164; 222/187

See application file for complete search history.

(56) **References Cited**

U.S. PATENT DOCUMENTS

2,528,657	A *	11/1950	Hobe, Sr.	401/218
3,212,121	A *	10/1965	Munn	401/218
3,263,263	A *	8/1966	Munn	401/218
3,378,329	A *	4/1968	Lazar	401/218
3,622,246	A	11/1971	Grooms	
3,850,532	A	11/1974	Kaiser	
D248,416	S *	7/1978	Lupkes	D4/116

4,555,195	A	11/1985	deVreeze et al.	
4,771,727	A *	9/1988	White et al.	118/258
5,857,795	A	1/1999	Liou	
6,053,650	A	4/2000	Bennett et al.	
7,338,227	B2	3/2008	Bullivant	
2006/0067784	A1	3/2006	Serio et al.	

OTHER PUBLICATIONS

U.S. Appl. No. 61/217,088, filed May 26, 2009.

* cited by examiner

Primary Examiner—Melanie H Tung

Assistant Examiner—Lavone D Tabor

(74) *Attorney, Agent, or Firm*—Philip H. Haymond

(57) **CLAIM**

The ornamental design for an applicator for paint and other liquids, as shown and described.

DESCRIPTION

FIG. 1 is a perspective view of an applicator for paint and other liquids showing my new design.

FIG. 2 is a front view thereof.

FIG. 3 is a rear view thereof.

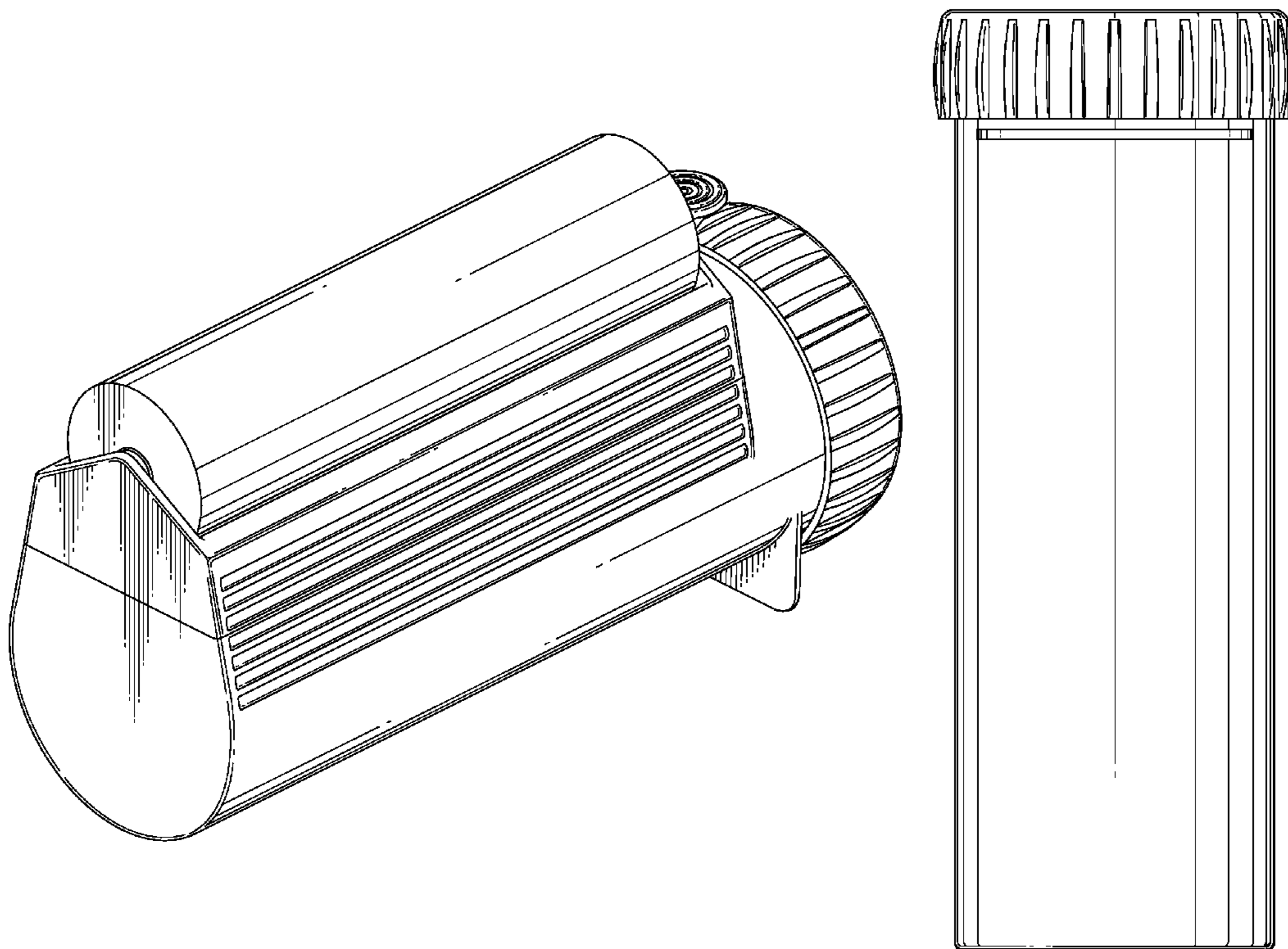
FIG. 4 is a left side view thereof.

FIG. 5 is a right side view thereof.

FIG. 6 is a upper end view thereof; and,

FIG. 7 is a lower end view thereof.

1 Claim, 7 Drawing Sheets



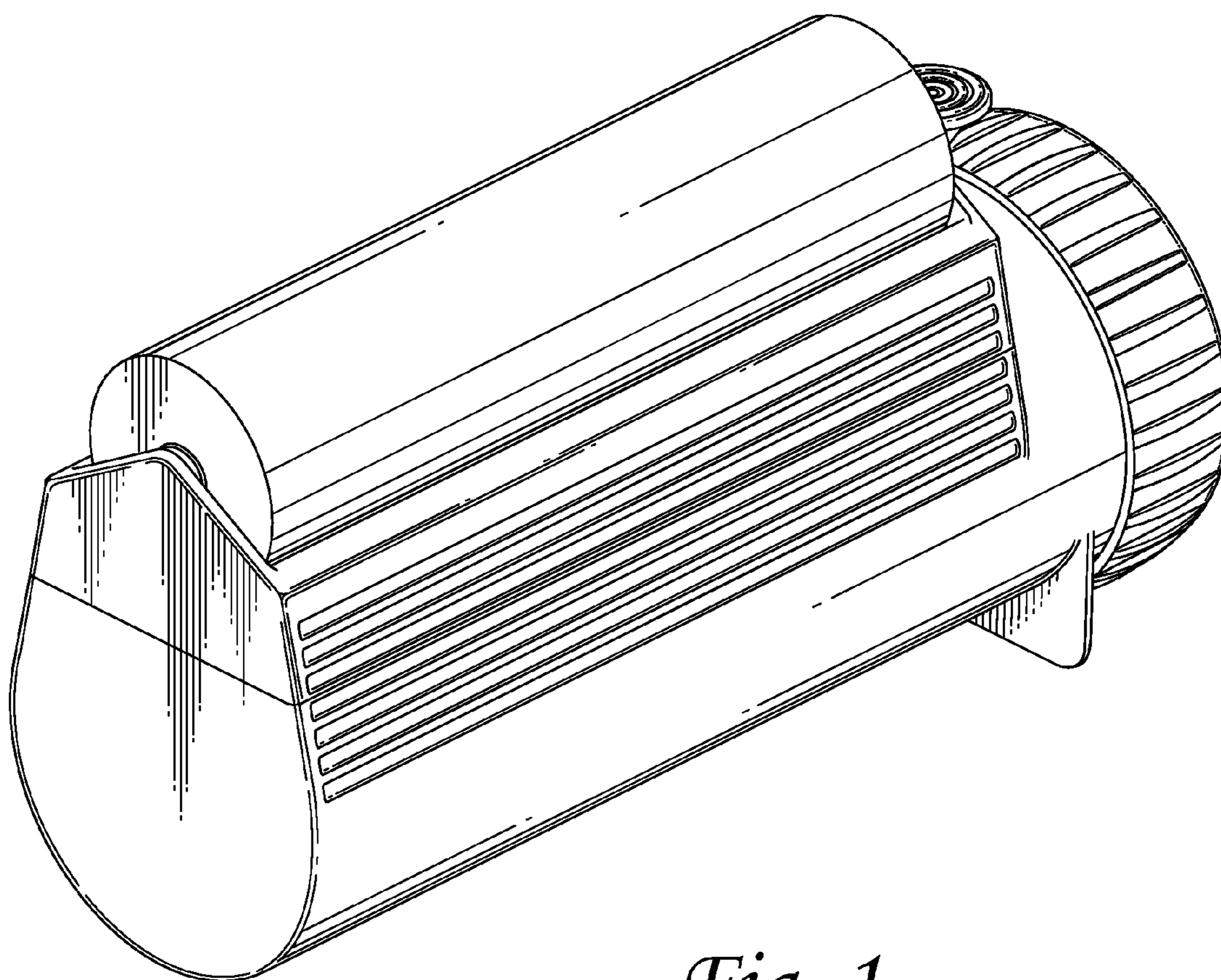


Fig. 1

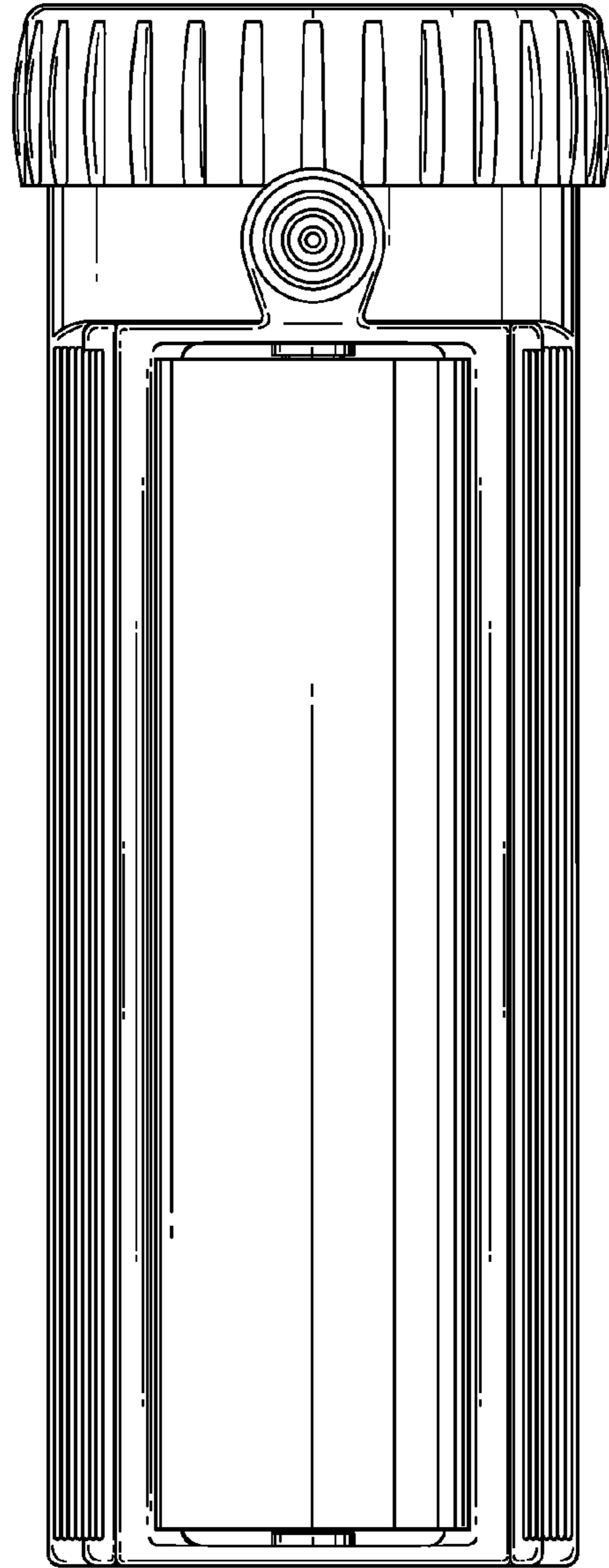


Fig. 2

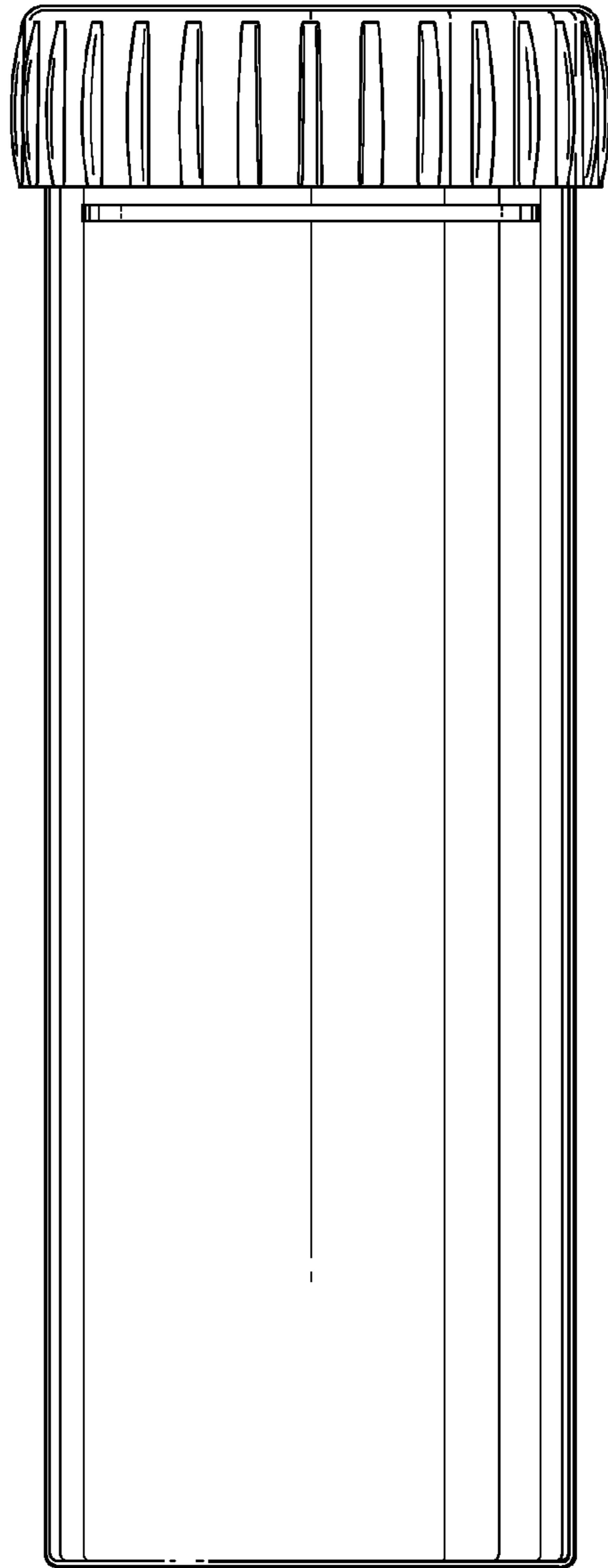


Fig. 3

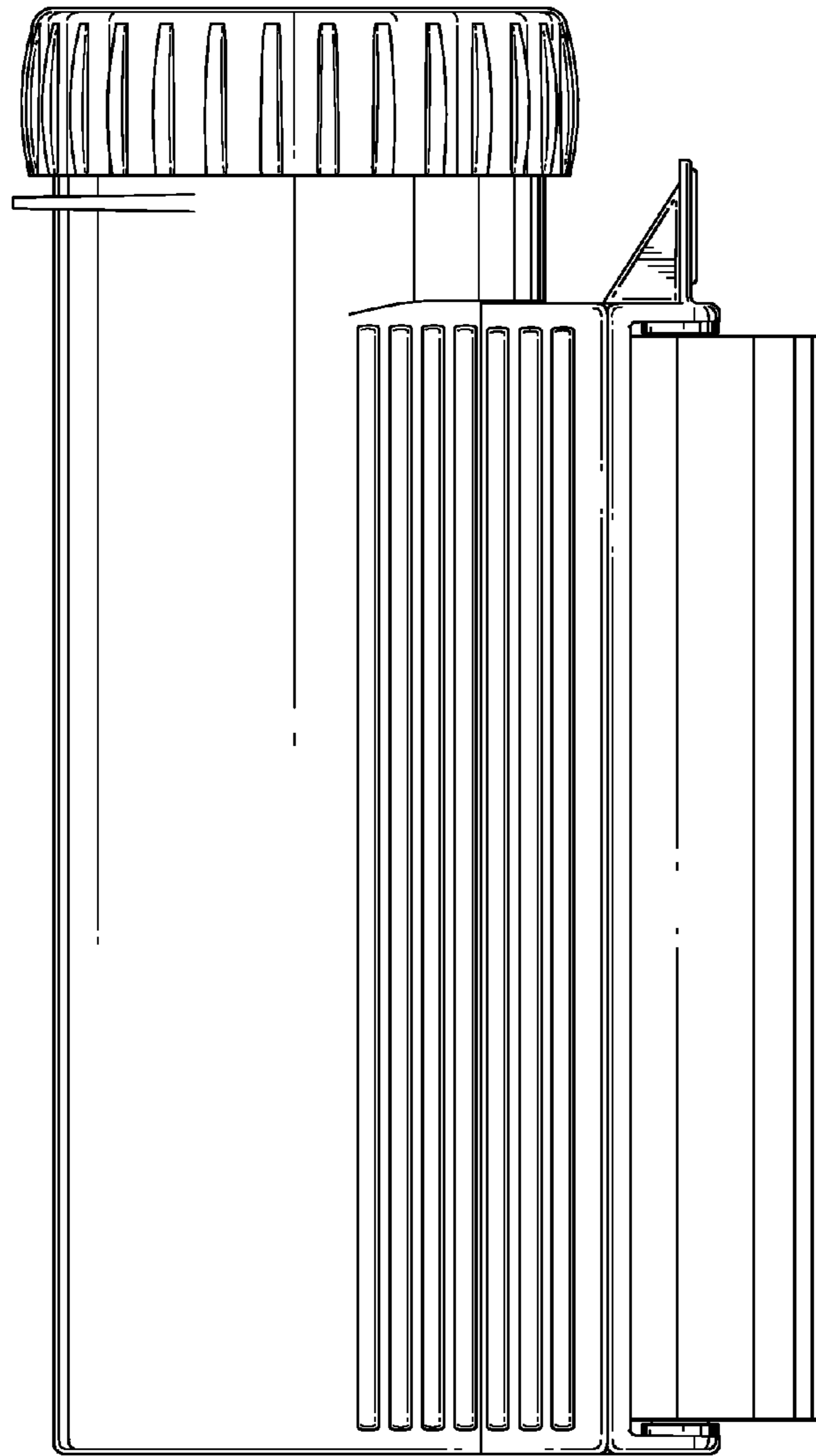


Fig. 4

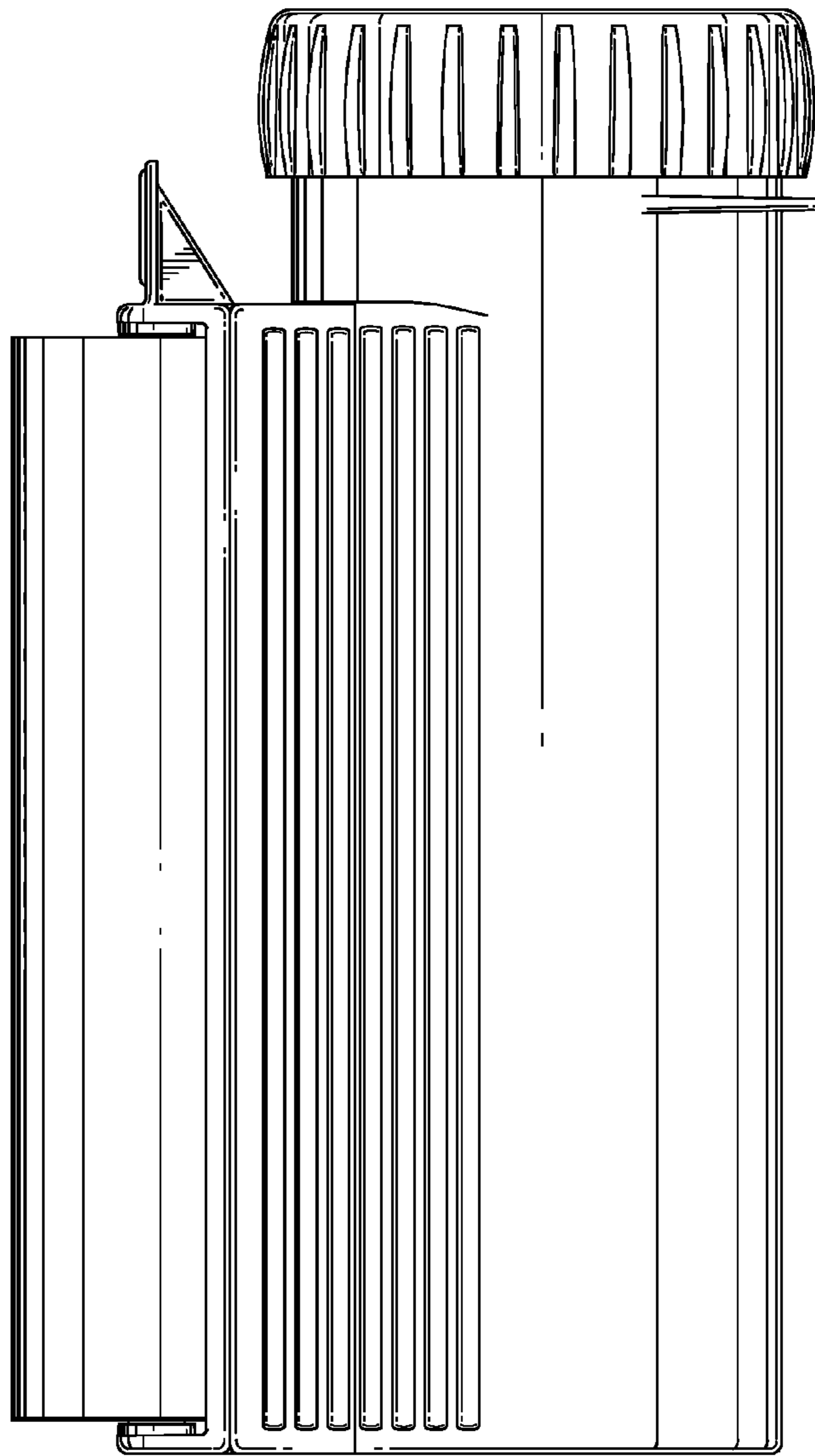


Fig. 5

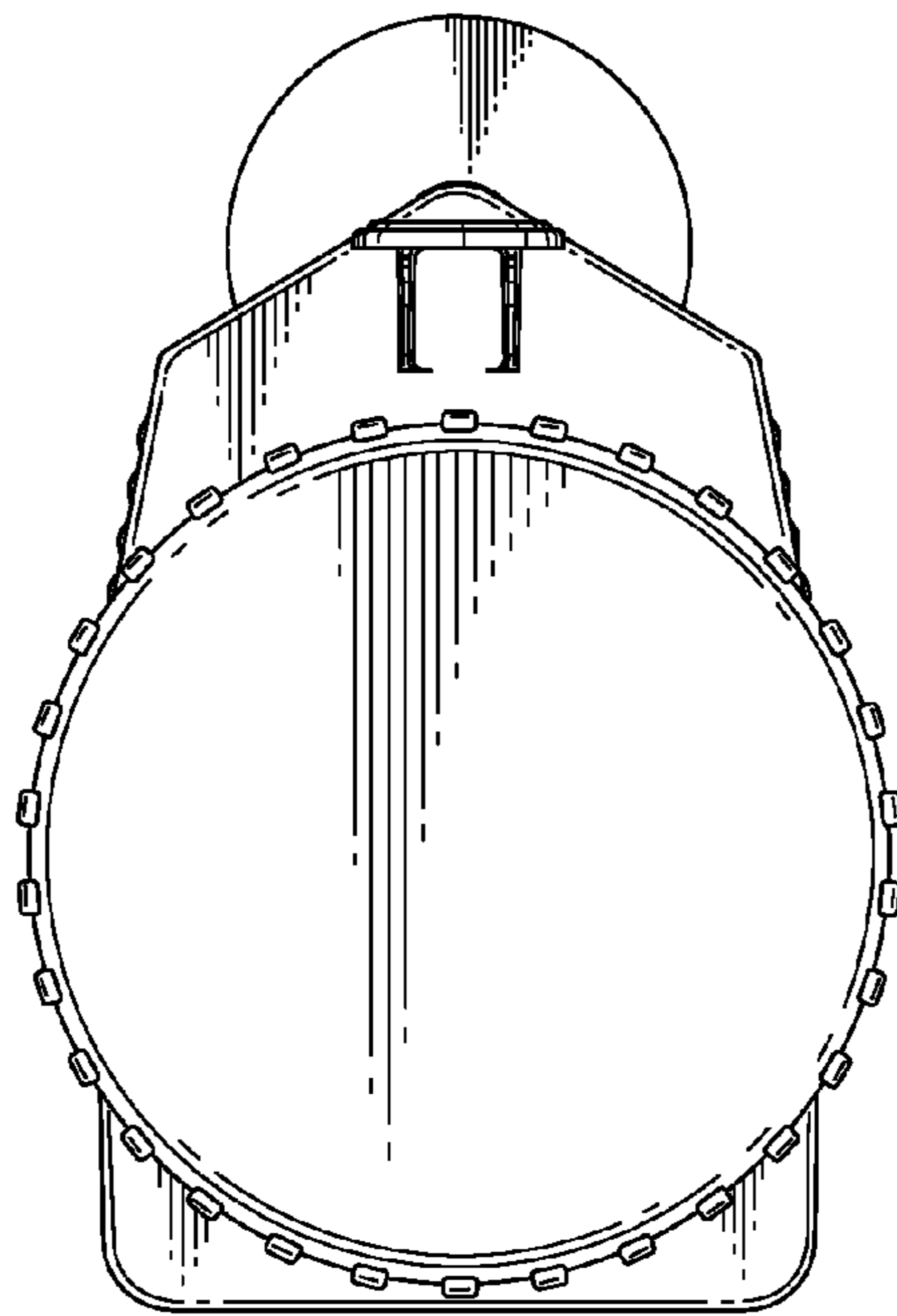


Fig. 6

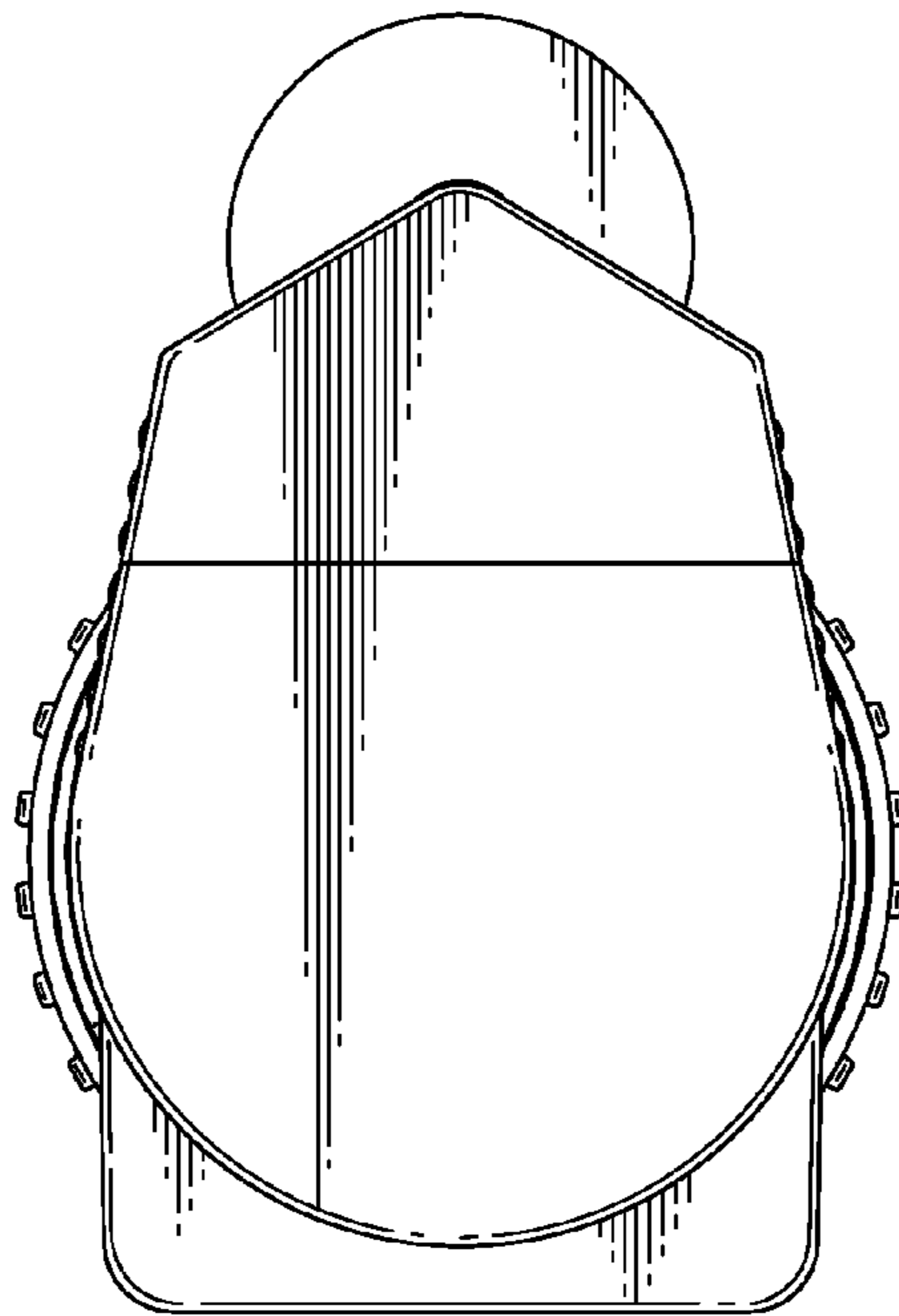


Fig. 7