



US00D626747S

(12) **United States Design Patent**
Brown et al.

(10) **Patent No.:** **US D626,747 S**

(45) **Date of Patent:** **** Nov. 9, 2010**

(54) **STORAGE BIN**

(75) Inventors: **Jerrold Brown**, Medina, OH (US);
Travis Shamp, Akron, OH (US)

(73) Assignee: **Akro-Mils, Inc.**, Akron, OH (US)

(**) Term: **14 Years**

(21) Appl. No.: **29/358,216**

(22) Filed: **Mar. 24, 2010**

Related U.S. Application Data

(62) Division of application No. 29/325,550, filed on Oct. 2, 2008, now Pat. No. Des. 615,300.

(51) **LOC (9) Cl.** **03-01**

(52) **U.S. Cl.** **D3/304**

(58) **Field of Classification Search** D3/210,
D3/304, 315; D6/510; 206/503-509
See application file for complete search history.

(56) **References Cited**

U.S. PATENT DOCUMENTS

D274,012 S *	5/1984	Williams	D3/304
D301,927 S *	6/1989	Williams, Jr.	D3/304
D310,748 S *	9/1990	Embree et al.	D3/304
D327,561 S *	6/1992	Hradisky	D3/307
D403,293 S *	12/1998	Soderstrom	D12/410
D409,387 S *	5/1999	Yemini	D3/307

D517,319 S *	3/2006	Wisnoski et al.	D3/304
D538,539 S *	3/2007	Richardson et al.	D3/314
D581,159 S *	11/2008	Neilsen	D3/304
D581,670 S *	12/2008	Neilsen	D3/304
D583,562 S *	12/2008	Ghiorghie	D3/304
D589,728 S *	4/2009	Shaha et al.	D6/510

* cited by examiner

Primary Examiner—T. Chase Nelson

Assistant Examiner—Kathleen M Sims

(74) *Attorney, Agent, or Firm*—Mattingly & Malur, P.C.

(57) **CLAIM**

The ornamental design for a storage bin, as shown and described.

DESCRIPTION

FIG. 1 is a front perspective view of a storage bin showing our new design;

FIG. 2 is a front elevational view thereof;

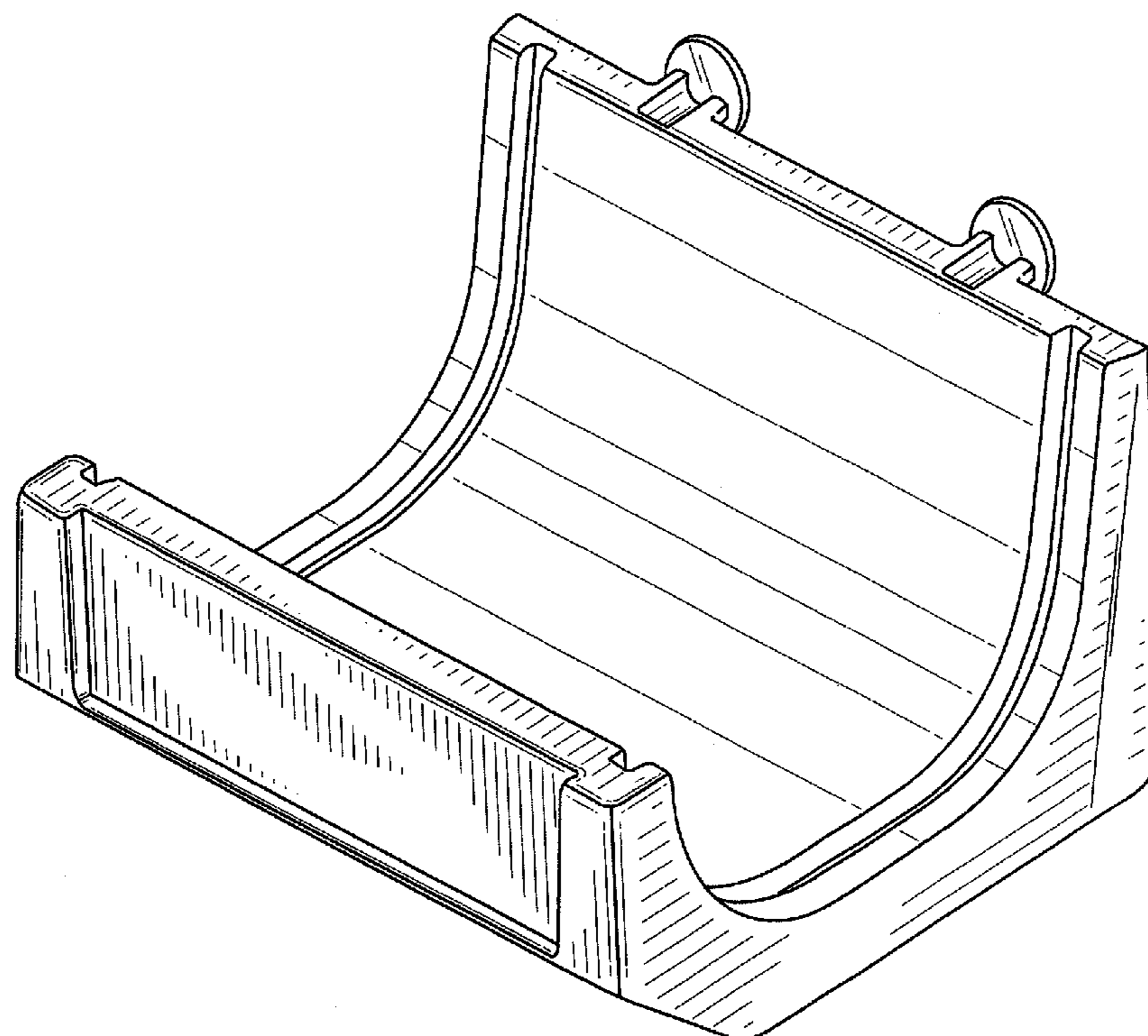
FIG. 3 is a right side elevational view thereof, the left side being a mirror image thereof;

FIG. 4 is a rear elevational view thereof; and,

FIG. 5 is a top plan view thereof.

The broken line showing of details in FIGS. 2 and 4 is included for the purpose of showing environmental portions of the storage bin and forms no part of the claimed design.

1 Claim, 5 Drawing Sheets



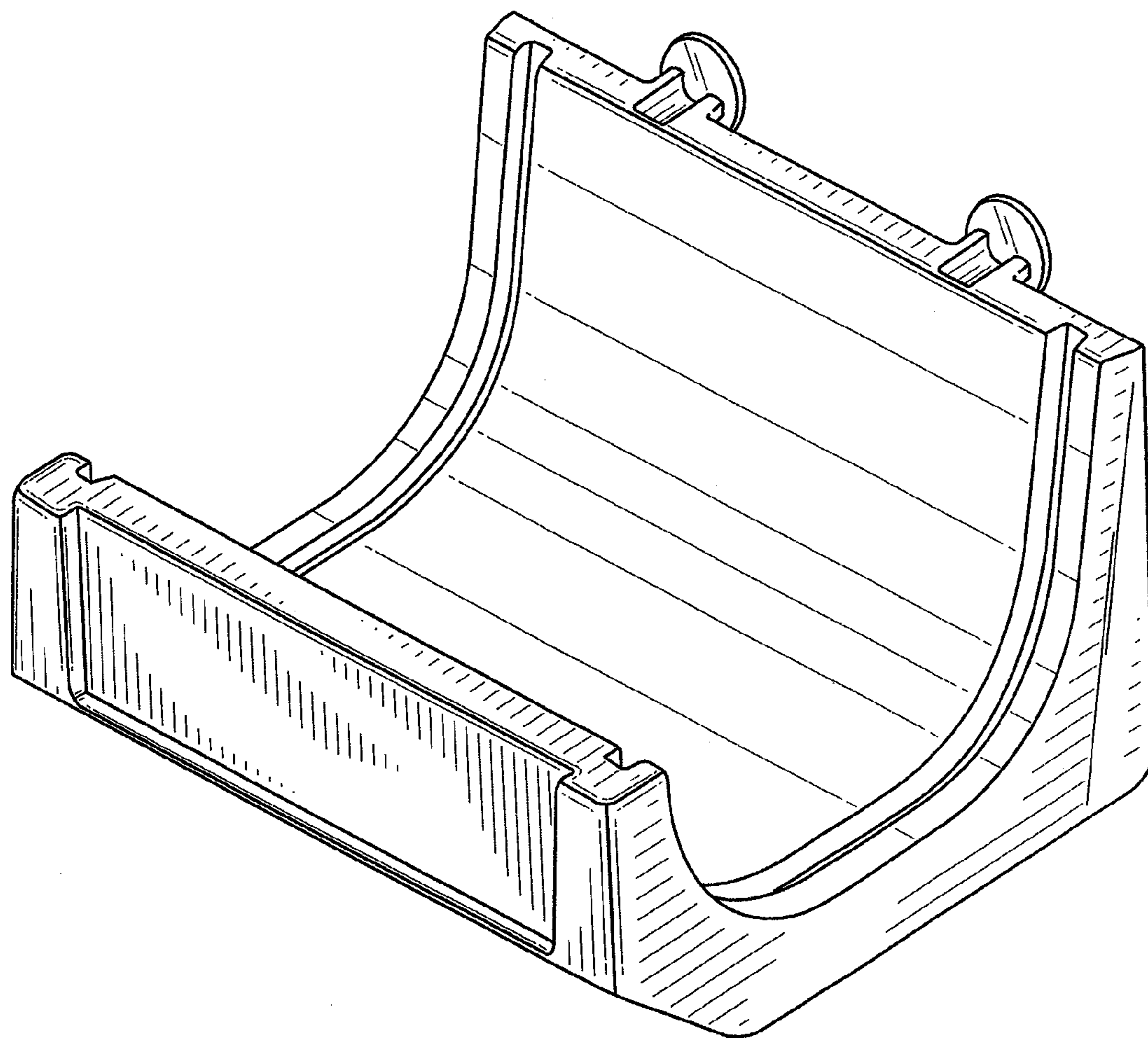


FIG. 1

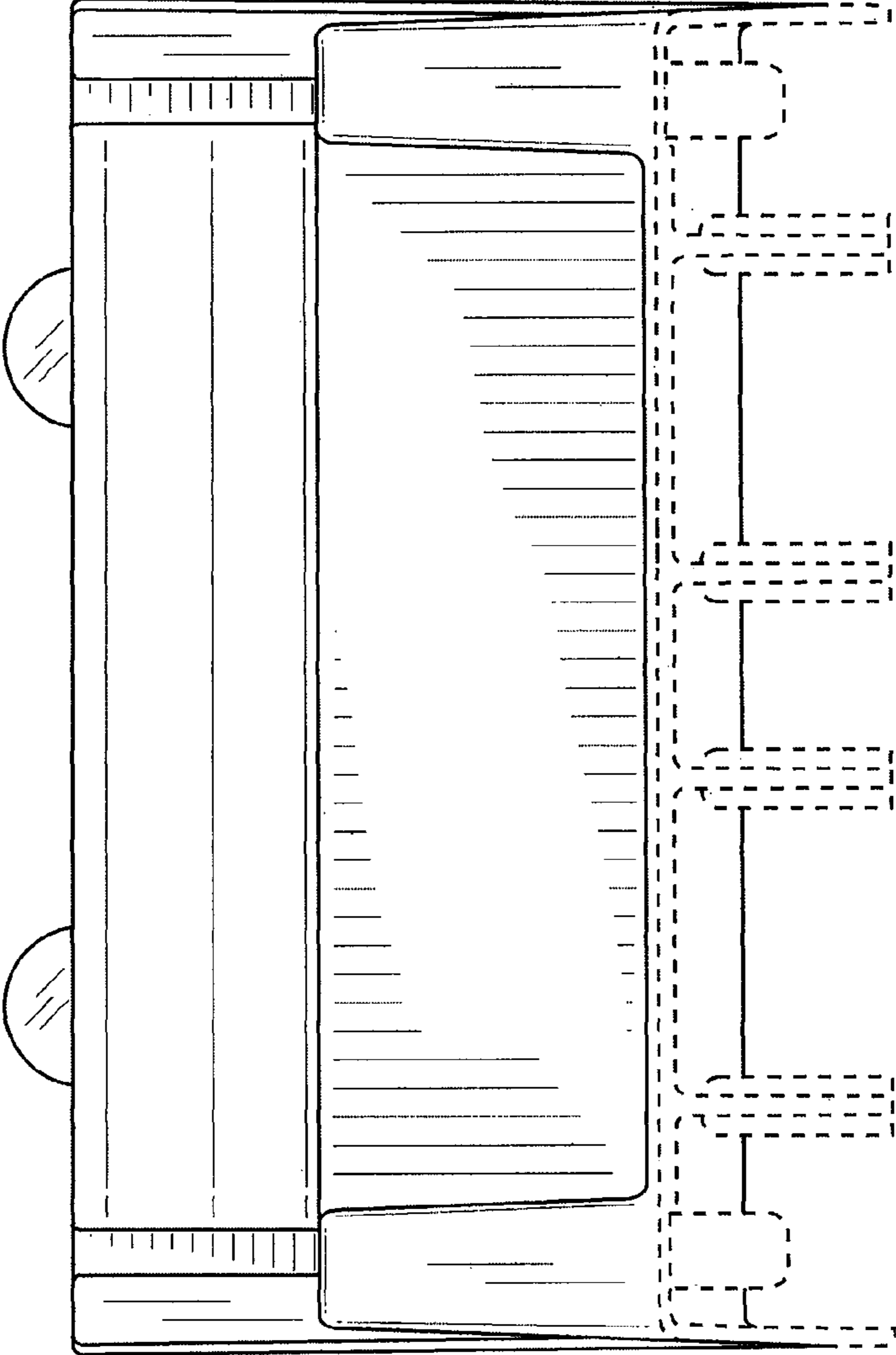


FIG. 2

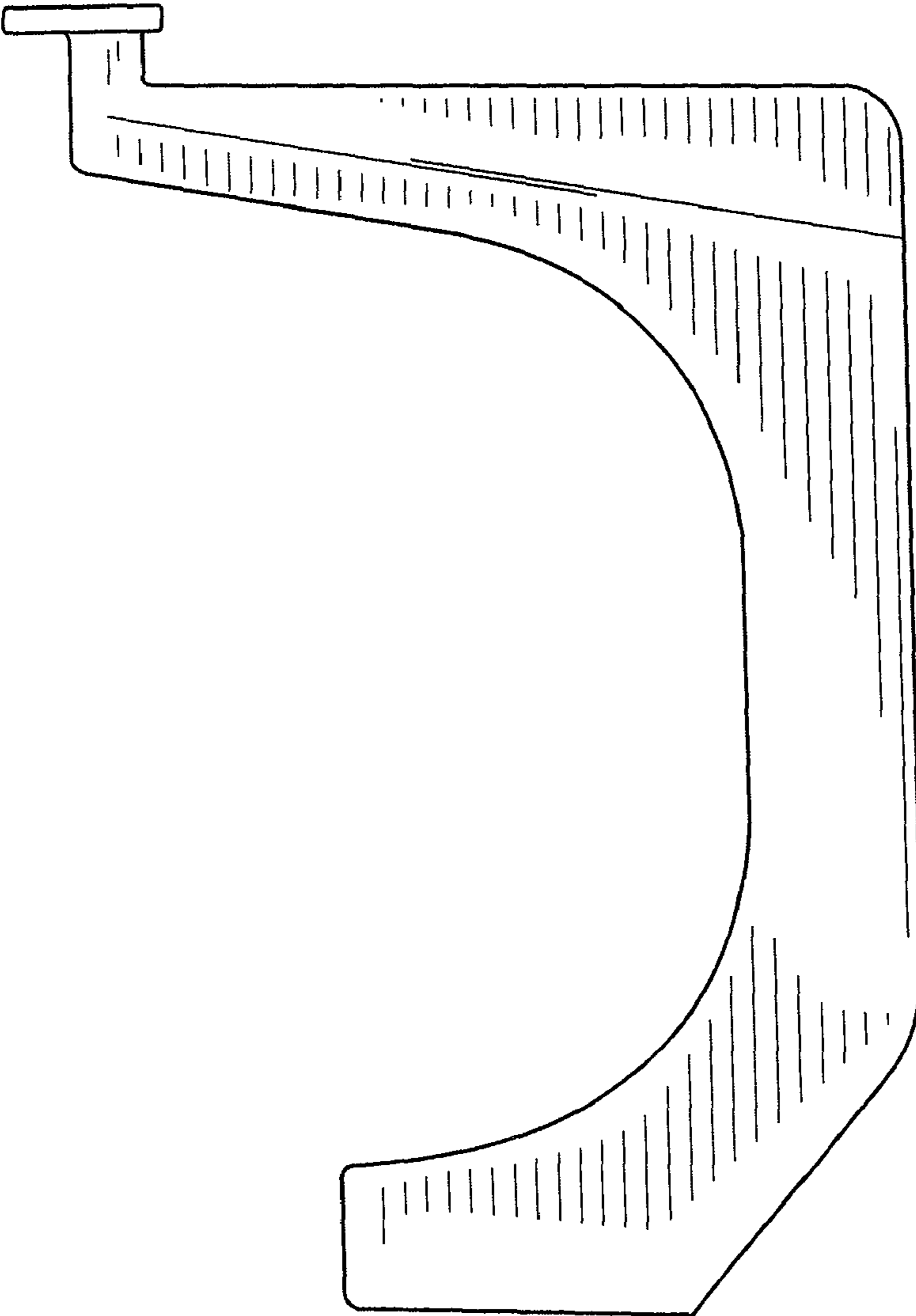


FIG. 3

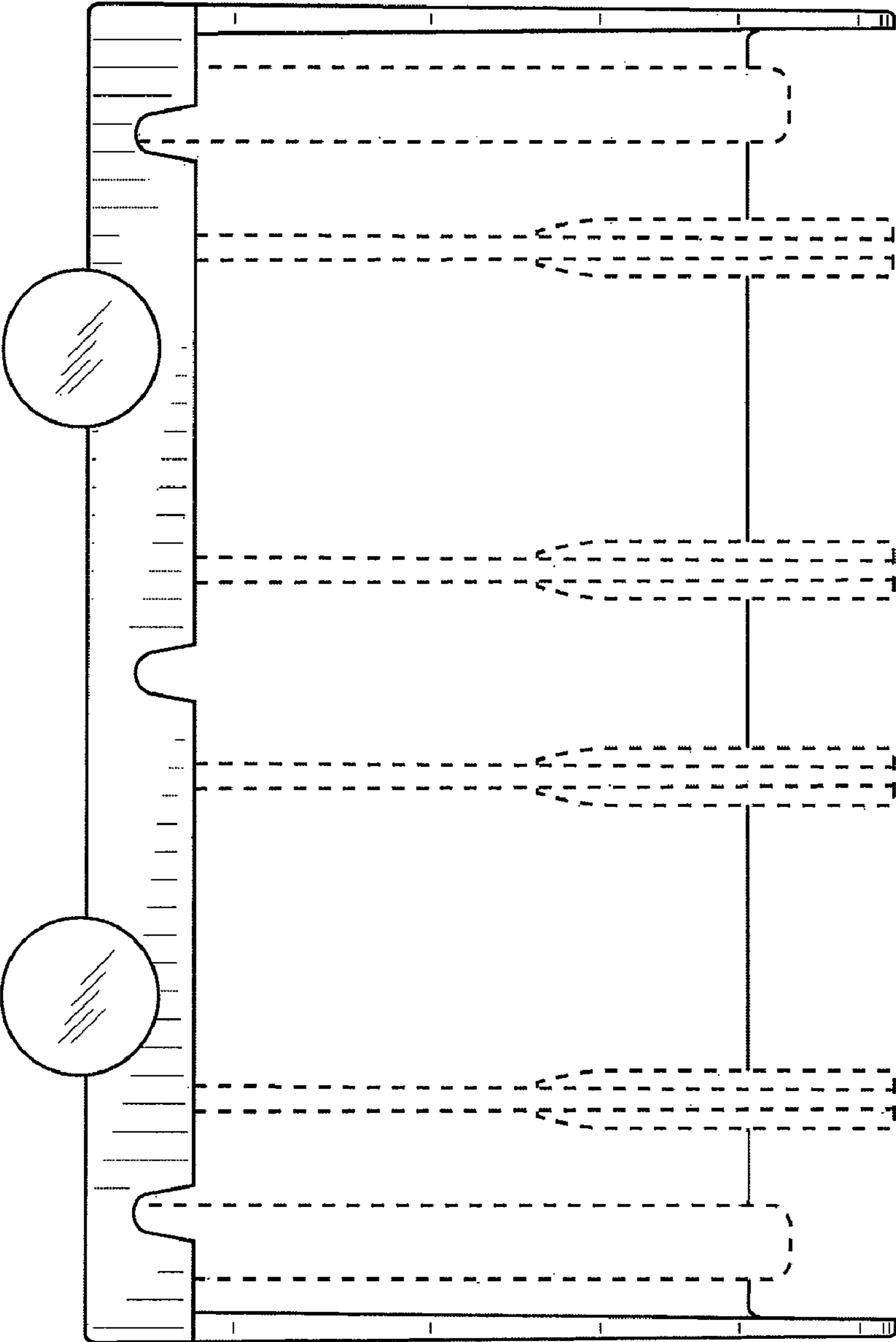


FIG. 4

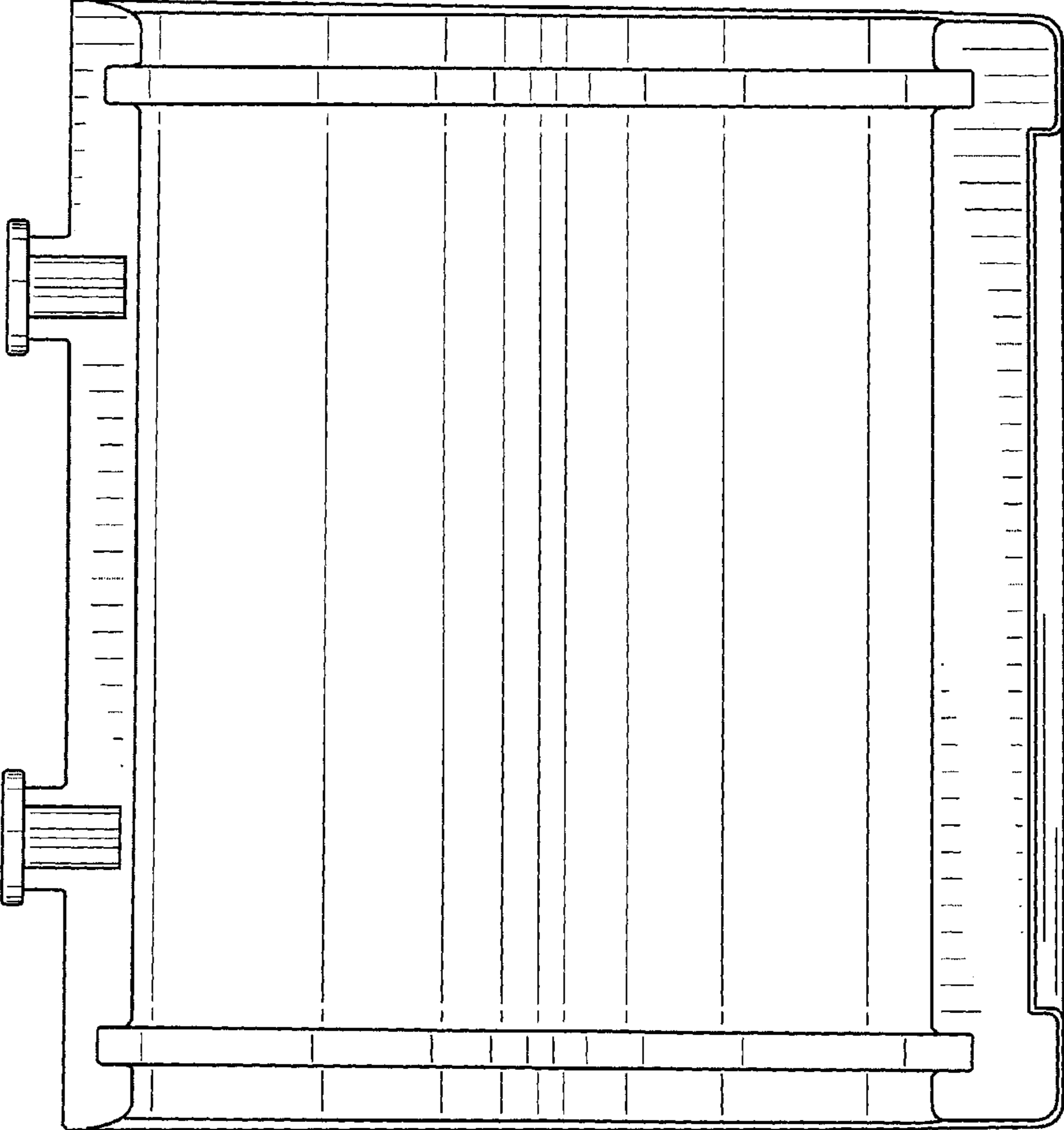


FIG. 5