



US00D626743S

(12) **United States Design Patent**
Fairchild et al.

(10) **Patent No.:** **US D626,743 S**

(45) **Date of Patent:** **** Nov. 9, 2010**

(54) **MOOSEHEAD CUSTOM ROD RACK**

(76) Inventors: **Herman Wesley Fairchild**, 917 W. 4th St., Sand Springs, OK (US) 74063;
Cynthia Dawn Fairchild, 917 W. 4th St., Sand Springs, OK (US) 74063

(**) Term: **14 Years**

(21) Appl. No.: **29/342,891**

(22) Filed: **Sep. 2, 2009**

(51) **LOC (9) Cl.** **03-01**

(52) **U.S. Cl.** **D3/259; D6/552**

(58) **Field of Classification Search** D3/201,
D3/221, 260, 254, 259, 318, 328, 904, 905;
D6/552; D21/385, 782; 211/70.8, 60, 68,
211/89.01, 70.1; 224/326, 922
See application file for complete search history.

(56) **References Cited**

U.S. PATENT DOCUMENTS

D193,011 S	6/1962	Alston	
3,315,816 A *	4/1967	Mallory	211/70.6
D225,706 S	1/1973	McCollum	
3,876,076 A *	4/1975	Hazelhurst	211/4
D248,433 S	7/1978	McCollum	
D256,303 S	8/1980	Rieman	
D268,461 S *	4/1983	Wess et al.	D3/259
D269,751 S	7/1983	Rieman	
D272,787 S	2/1984	Rumbaugh	
4,582,203 A	4/1986	Davis	
D300,283 S *	3/1989	Duckro et al.	D3/259
D303,192 S *	9/1989	Bogar, III	D6/552
4,881,674 A *	11/1989	Medianik	224/311
D307,087 S *	4/1990	Gibson et al.	D6/552

D310,302 S *	9/1990	Southard	D6/552
5,094,351 A *	3/1992	Barney	211/70.8
D373,271 S	9/1996	Rosh	
D380,115 S	6/1997	Fairweather	
5,657,883 A *	8/1997	Badia	211/70.8
D404,234 S	1/1999	Lamb	
6,267,425 B1 *	7/2001	Dorsey	294/143
D446,280 S	8/2001	Marriott	
D486,779 S	2/2004	Alberti	
D508,842 S	8/2005	Paolini	
D537,771 S	3/2007	Pflieger	

* cited by examiner

Primary Examiner—Prabhakar Deshmukh

(74) *Attorney, Agent, or Firm*—QuickPatents, Inc.; Kevin Prince

(57) **CLAIM**

We claim the ornamental design for a moosehead custom rod rack, as shown and described.

DESCRIPTION

FIG. 1 is a perspective view of a moosehead custom rod rack, showing our new design;

FIG. 2 is a front elevational view thereof, the rear elevational view being a mirror image thereof;

FIG. 3 is a left-side elevational view thereof;

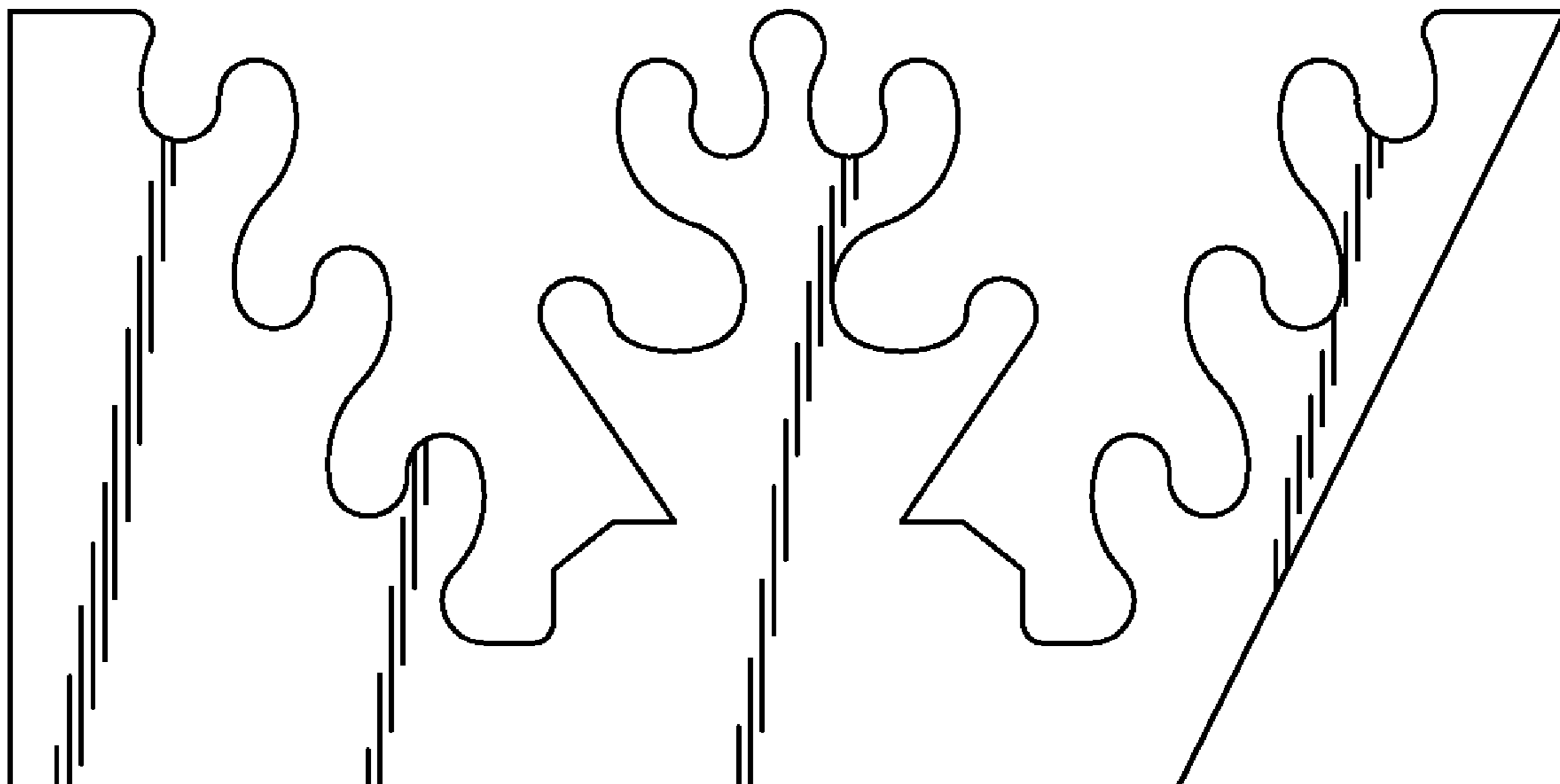
FIG. 4 is a left-side elevational view thereof;

FIG. 5 is a top plan view thereof; and,

FIG. 6 is a bottom plan view thereof.

The broken lines showing a fishing pole and storage compartment in FIG. 1 are included for the purpose of illustrating the invention in use, and form no part of the claimed design.

1 Claim, 2 Drawing Sheets



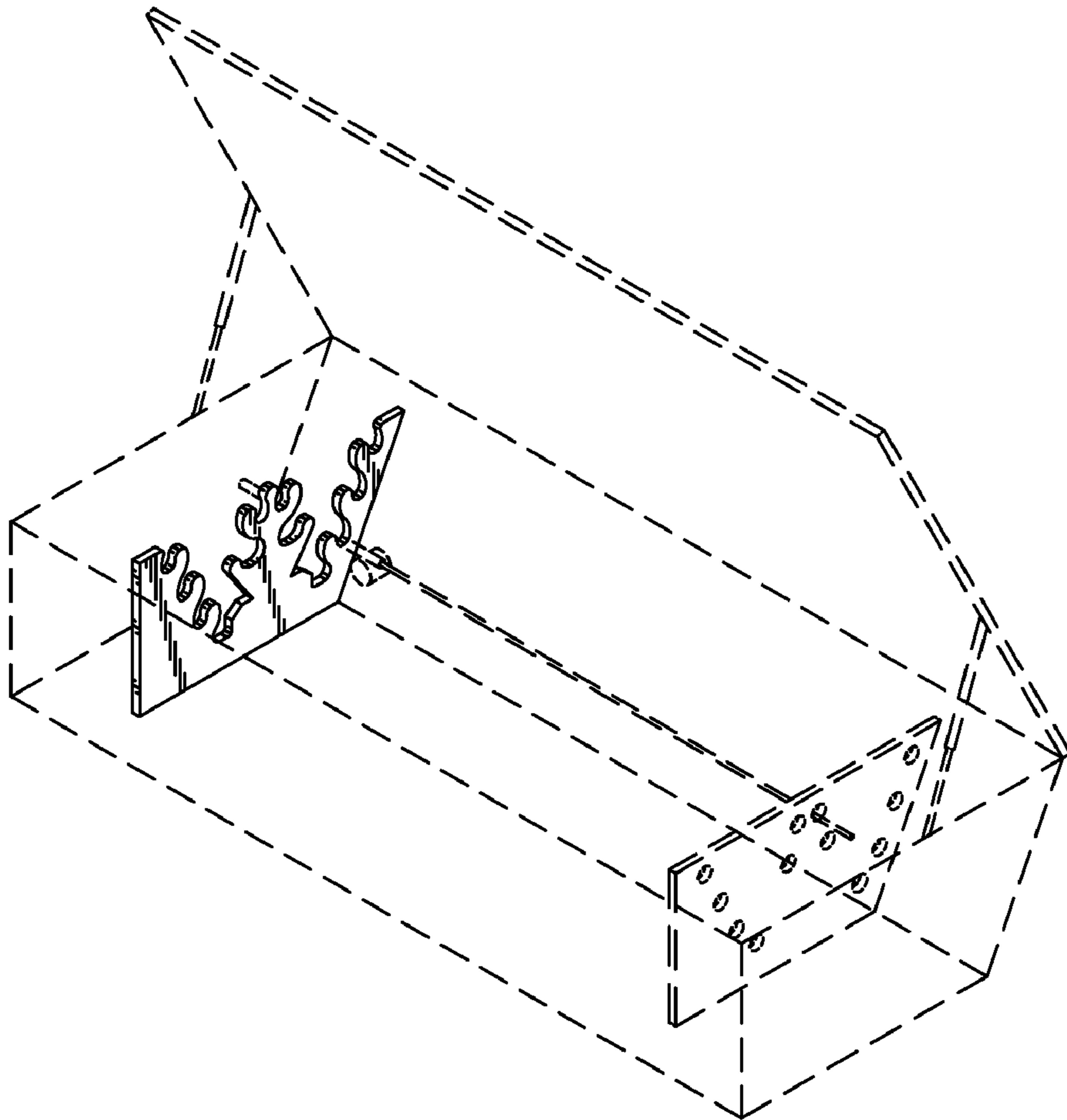


FIG. 1

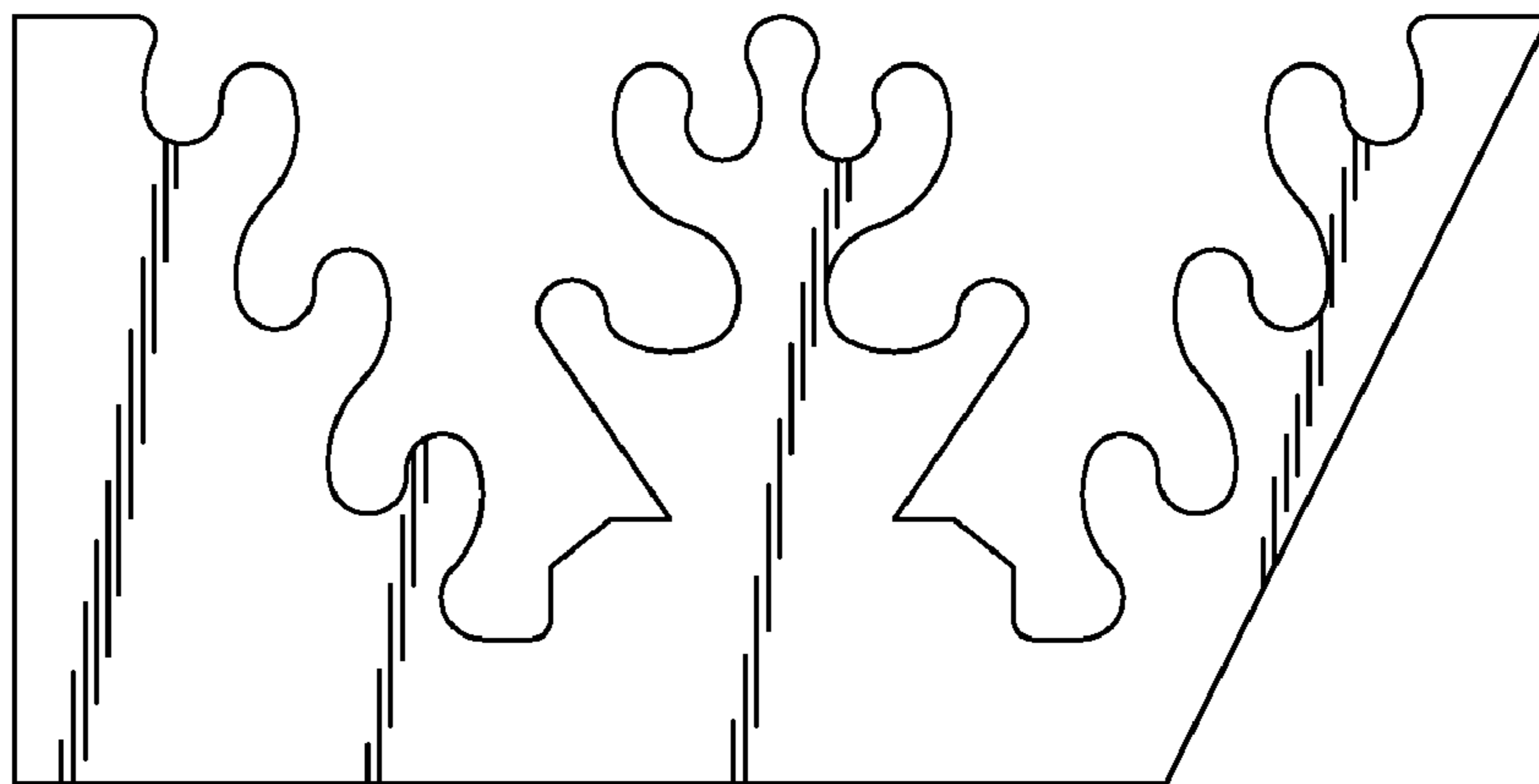


FIG. 2



FIG. 3



FIG. 4



FIG. 5



FIG. 6