



US00D626736S

(12) **United States Design Patent**
Skaja et al.

(10) **Patent No.:** **US D626,736 S**

(45) **Date of Patent:** **** Nov. 9, 2010**

(54) **SHOE INSOLE**

(75) Inventors: **Joseph J. Skaja**, Englewood, NJ (US);
Laurence I. Schwartz, Closter, NJ (US)

(73) Assignee: **Aetrex Worldwide, Inc.**, Teaneck, NJ (US)

(**) Term: **14 Years**

(21) Appl. No.: **29/325,778**

(22) Filed: **Oct. 6, 2008**

(51) **LOC (9) Cl.** **02-99**

(52) **U.S. Cl.** **D2/961; D2/946**

(58) **Field of Classification Search** D2/896,
D2/946, 961, 962; 36/71, 43, 44, 28, 154,
36/173, 140, 174, 180

See application file for complete search history.

(56) **References Cited**

U.S. PATENT DOCUMENTS

| | | | | |
|---------------|---------|---------------|-------|--------|
| D62,591 S * | 6/1923 | Ross | | D2/961 |
| 4,380,878 A | 4/1983 | Skaja | | |
| 4,633,877 A * | 1/1987 | Pendergast | | 36/140 |
| D295,690 S * | 5/1988 | Finn | | D2/961 |
| D297,980 S * | 10/1988 | Sugiyama | | D2/961 |
| D300,085 S * | 3/1989 | Ito et al. | | D2/961 |
| D307,072 S * | 4/1990 | Graham et al. | | D2/961 |
| D308,901 S * | 7/1990 | Hase | | D2/961 |
| 5,572,804 A | 11/1996 | Skaja et al. | | |
| 5,768,803 A * | 6/1998 | Levy | | 36/43 |
| 5,976,451 A | 11/1999 | Skaja et al. | | |

| | | | | |
|-------------------|---------|--------------|-------|--------|
| 6,098,313 A | 8/2000 | Skaja | | |
| 7,178,267 B2 | 2/2007 | Skaja et al. | | |
| 7,380,352 B2 * | 6/2008 | Seiter | | 36/44 |
| 7,526,882 B2 * | 5/2009 | Rhenter | | 36/174 |
| D612,139 S * | 3/2010 | Ford et al. | | D2/961 |
| 2001/0039746 A1 * | 11/2001 | Seiter | | 36/44 |
| 2002/0050077 A1 | 5/2002 | Wang et al. | | |

* cited by examiner

Primary Examiner—Robert M Spear

Assistant Examiner—Rashida C McCoy

(74) *Attorney, Agent, or Firm*—Lowenstein Sandler PC

(57) **CLAIM**

The ornamental design for a shoe insole, as shown and described.

DESCRIPTION

FIG. 1 is a perspective view of a shoe insole according to our new design;

FIG. 2 is an enlarged perspective view thereof;

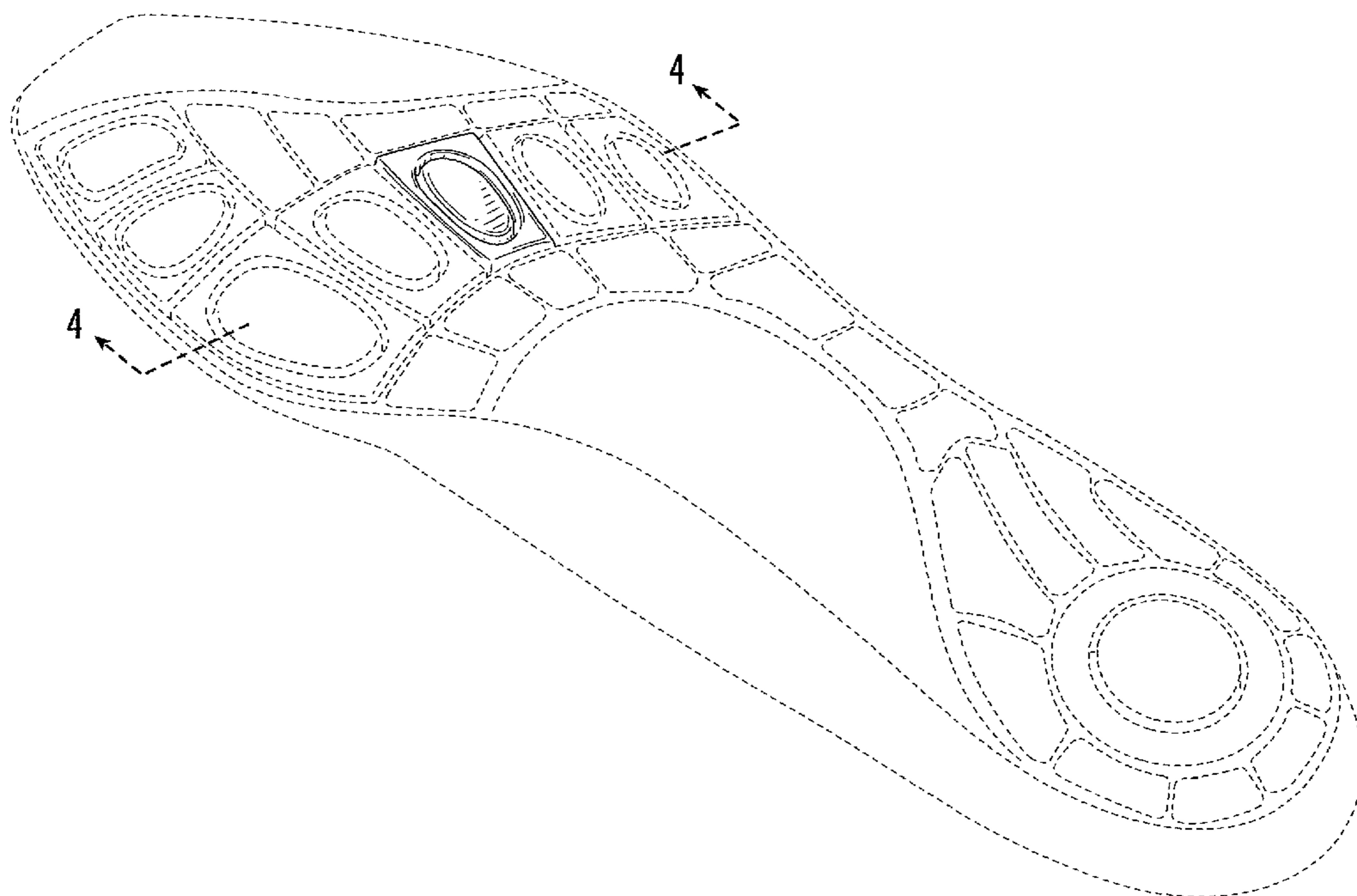
FIG. 3 is an enlarged top plan view thereof;

FIG. 4 is an enlarged cross-section view of the foreground only thereof taken along line 4—4 of FIG. 1; and,

FIG. 5 is an enlarged exploded cross-section view of the foreground only thereof taken along line 4—4 of FIG. 1.

The broken lines shown herein for illustrative purposes of the environment or which define the bounds of the claimed design form no part of the claimed design.

1 Claim, 3 Drawing Sheets



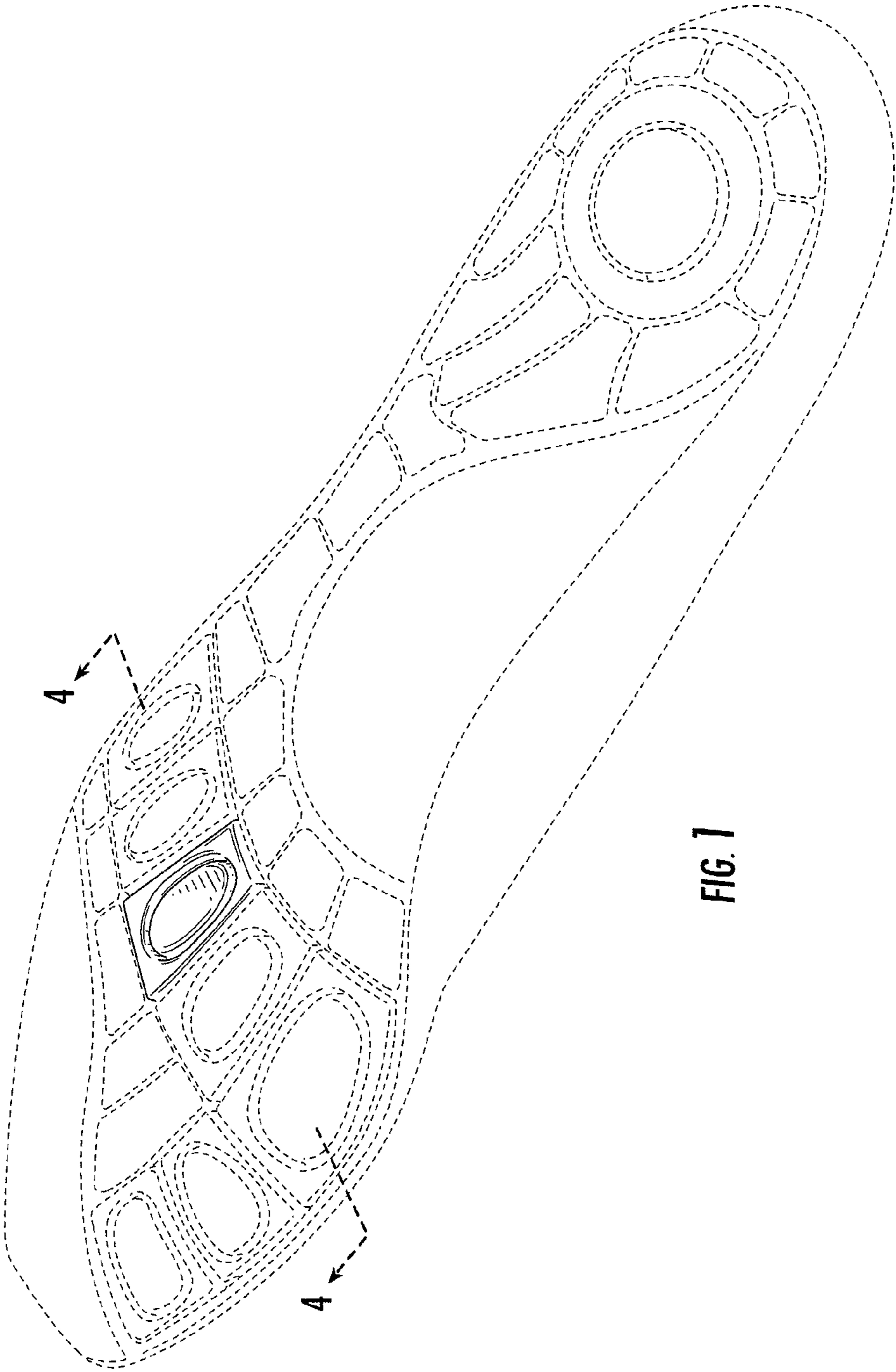


FIG. 7

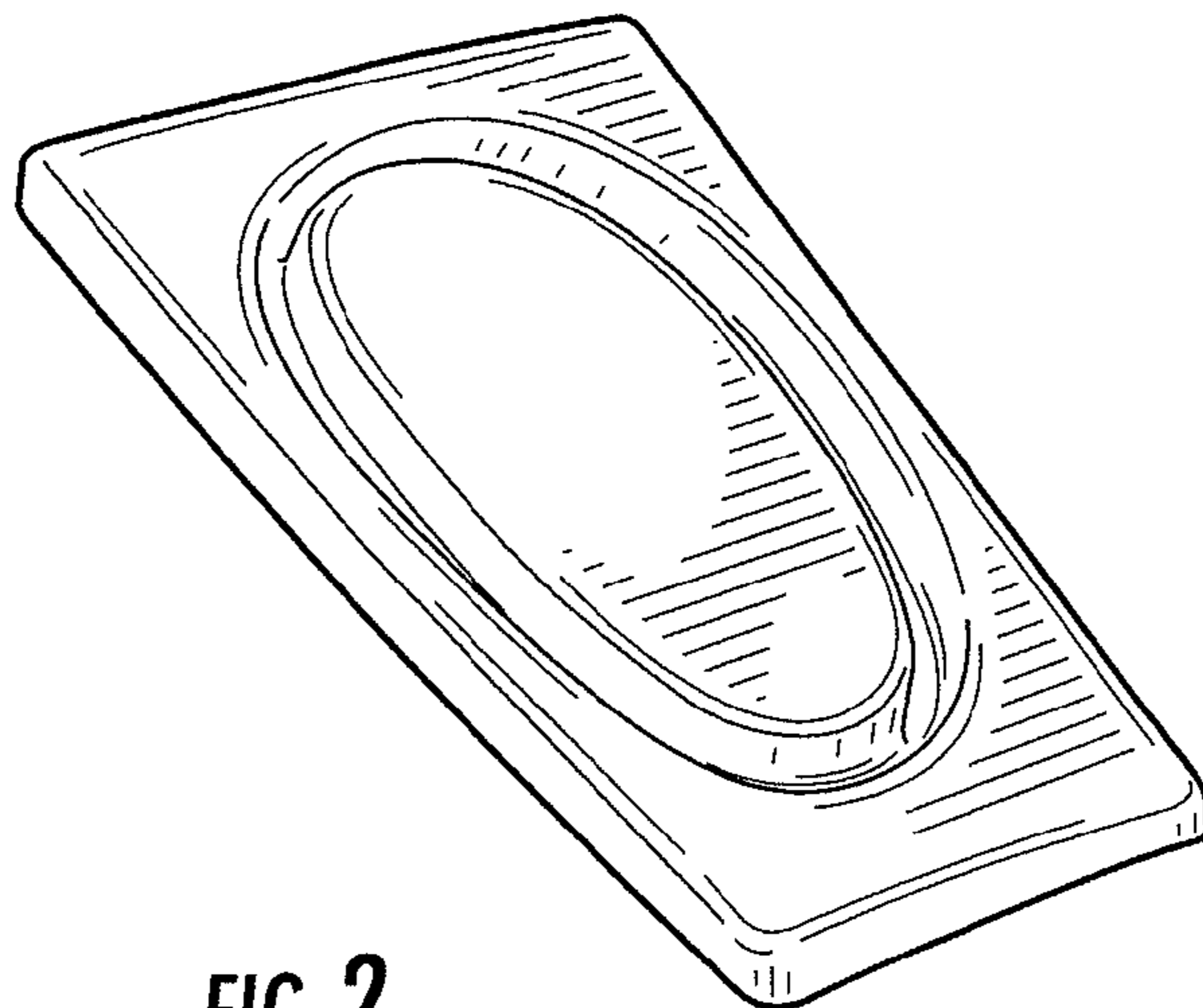


FIG. 2

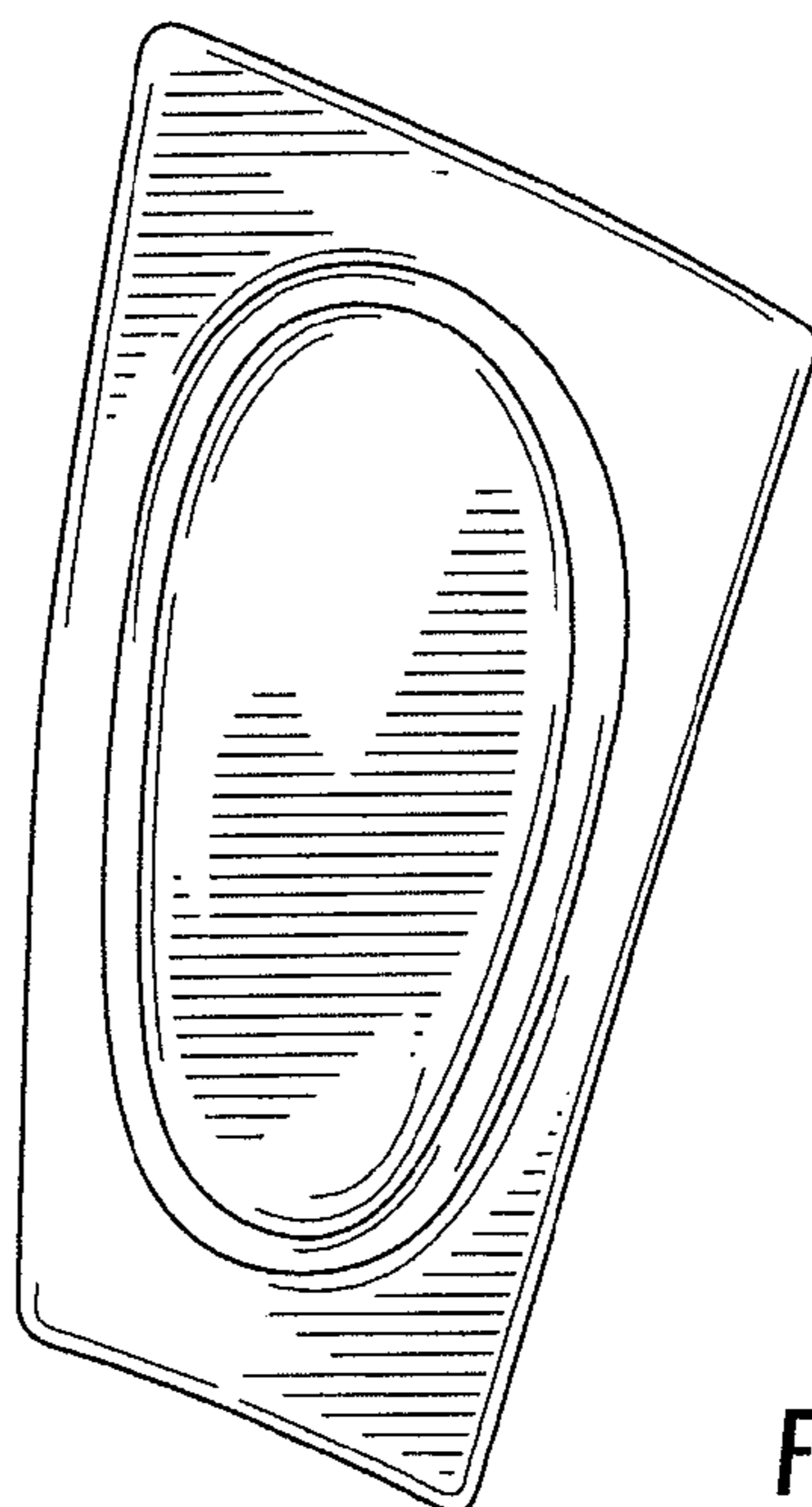


FIG. 3

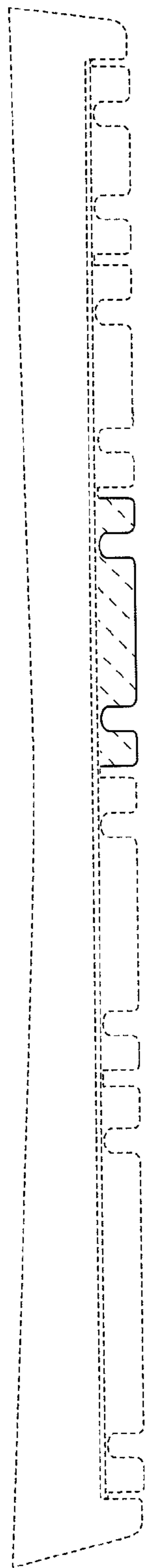


FIG. 4

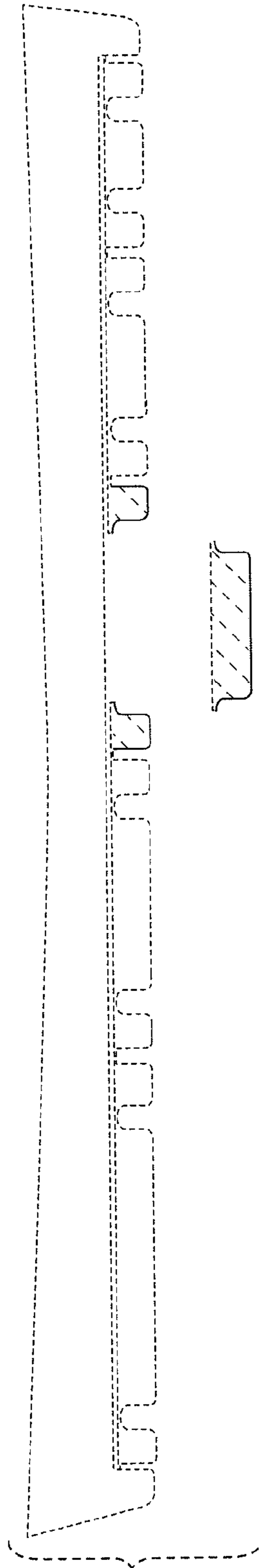


FIG. 5