



US00D626728S

(12) **United States Design Patent**  
**Tzenos et al.**

(10) **Patent No.:** **US D626,728 S**  
(45) **Date of Patent:** **\*\* Nov. 9, 2010**

- (54) **SHOE**
- (75) Inventors: **Andreas Tzenos**, Toronto (CA); **John Hawker**, Granada Hills (CA); **Rudy Escobar**, North Hills (CA)
- (73) Assignee: **Strategic Partners, Inc.**, Chatsworth, CA (US)
- (\*\*) Term: **14 Years**
- (21) Appl. No.: **29/359,405**
- (22) Filed: **Apr. 9, 2010**
- (51) **LOC (9) Cl.** ..... **02-04**
- (52) **U.S. Cl.** ..... **D2/896; D2/902; D2/916; D2/923**
- (58) **Field of Classification Search** ..... D2/896, D2/898, 900, 903, 919–923, 943, 952, 969; 36/45, 11.5, 8.1, 77 M, 77 R, 83, 113, 144, 36/116, 126–131  
See application file for complete search history.

D561,982 S *	2/2008	Hoyt	.....	D2/896
D567,482 S *	4/2008	Hoyt	.....	D2/896
D567,483 S *	4/2008	Liow	.....	D2/896
D569,087 S *	5/2008	Ringholz	.....	D2/957
D575,034 S *	8/2008	Hoyt	.....	D2/896
D575,480 S *	8/2008	Zimmerman	.....	D2/896
D575,482 S *	8/2008	Hoyt	.....	D2/896
D575,937 S *	9/2008	Klavano	.....	D2/896
D578,743 S *	10/2008	Liow	.....	D2/896
D586,543 S *	2/2009	Wolff	.....	D2/954
D586,989 S *	2/2009	Dave et al.	.....	D2/956
D599,088 S *	9/2009	Kay et al.	.....	D2/909
D609,440 S *	2/2010	Morris	.....	D2/951

\* cited by examiner

*Primary Examiner*—Robert M Spear  
*Assistant Examiner*—Rashida C McCoy  
(74) *Attorney, Agent, or Firm*—Blakely Sokoloff Taylor & Zafman LLP

(57) **CLAIM**

The ornamental design for a shoe, as shown and described.

**DESCRIPTION**

FIG. 1 is a perspective view of our new design;  
FIG. 2 is a front view thereof;  
FIG. 3 is a rear view thereof;  
FIG. 4 is a right side elevation view thereof;  
FIG. 5 is a left side elevation view thereof;  
FIG. 6 is atop view thereof; and,  
FIG. 7 is a bottom view thereof.

**1 Claim, 4 Drawing Sheets**

- (56) **References Cited**
- U.S. PATENT DOCUMENTS
- D432,776 S \* 10/2000 McDowell ..... D2/972
- D451,271 S \* 12/2001 Gerber ..... D2/972
- D452,070 S \* 12/2001 Holmes ..... D2/972
- D470,996 S \* 3/2003 Bronga ..... D2/897
- D473,040 S \* 4/2003 Hawker et al. .... D2/896
- D517,789 S \* 3/2006 Seamans ..... D2/969
- D517,790 S \* 3/2006 Seamans ..... D2/969
- D529,263 S \* 10/2006 Wolf ..... D2/923
- D545,032 S \* 6/2007 Wolf ..... D2/923





FIG. 1

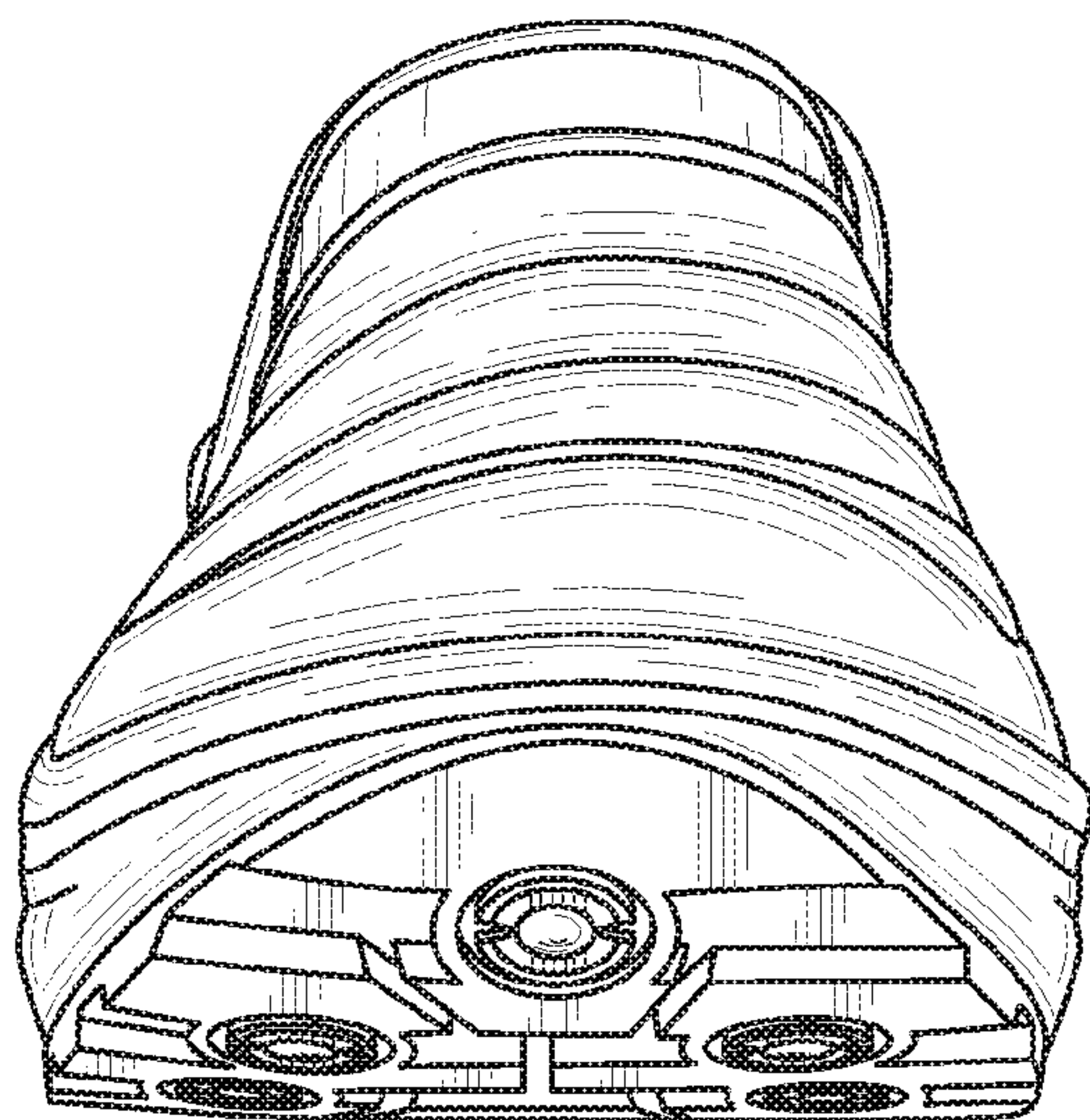


FIG. 2

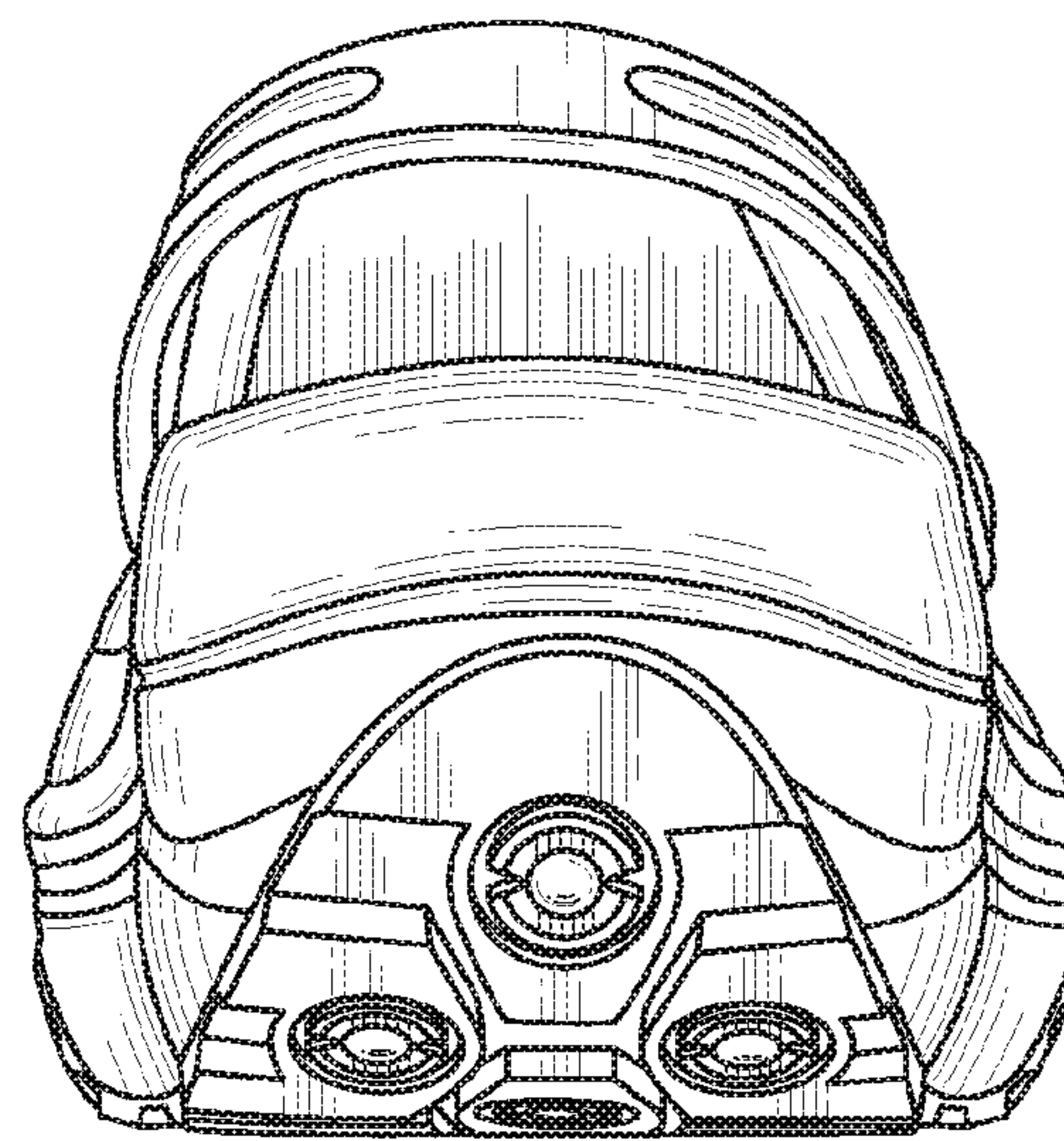


FIG. 3



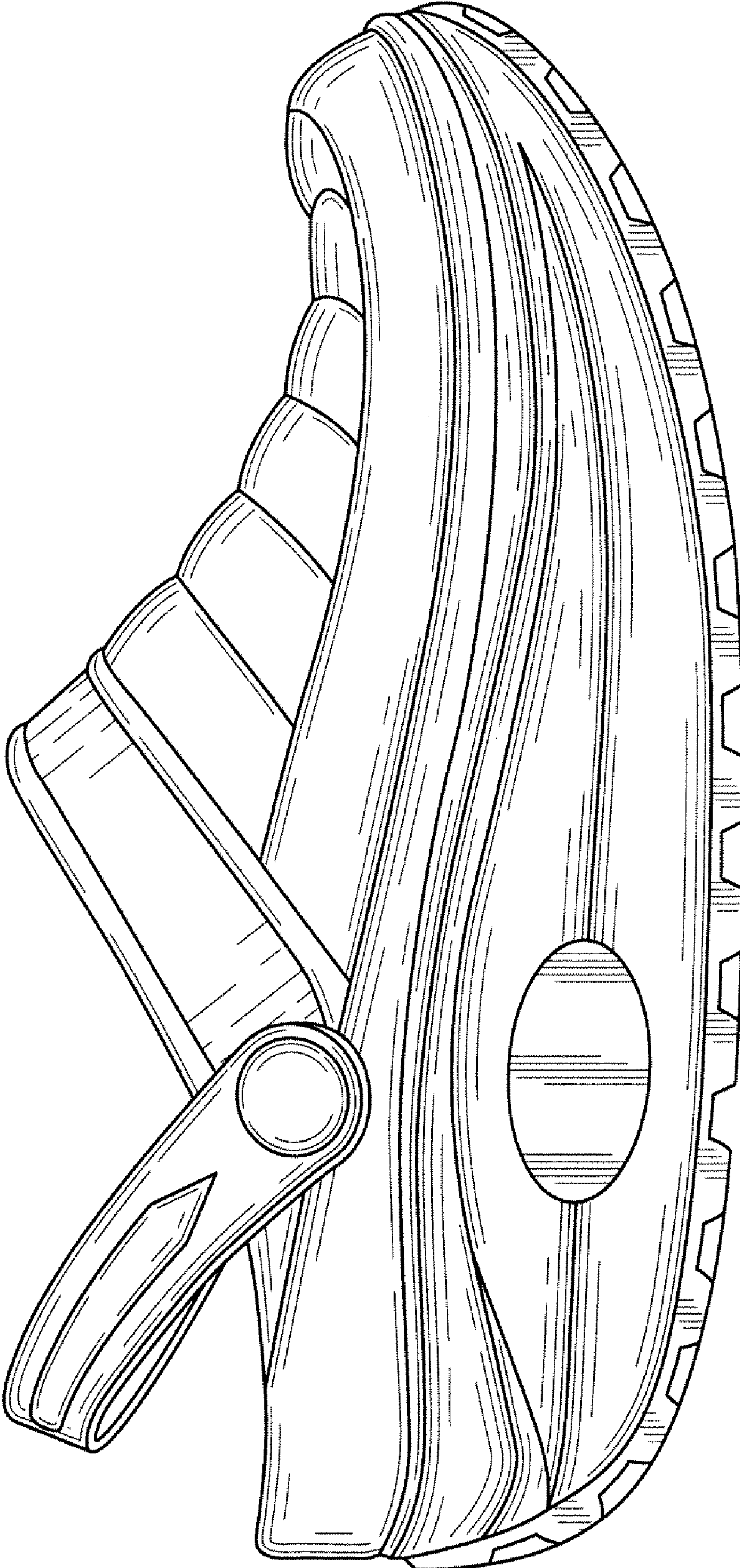


FIG. 4

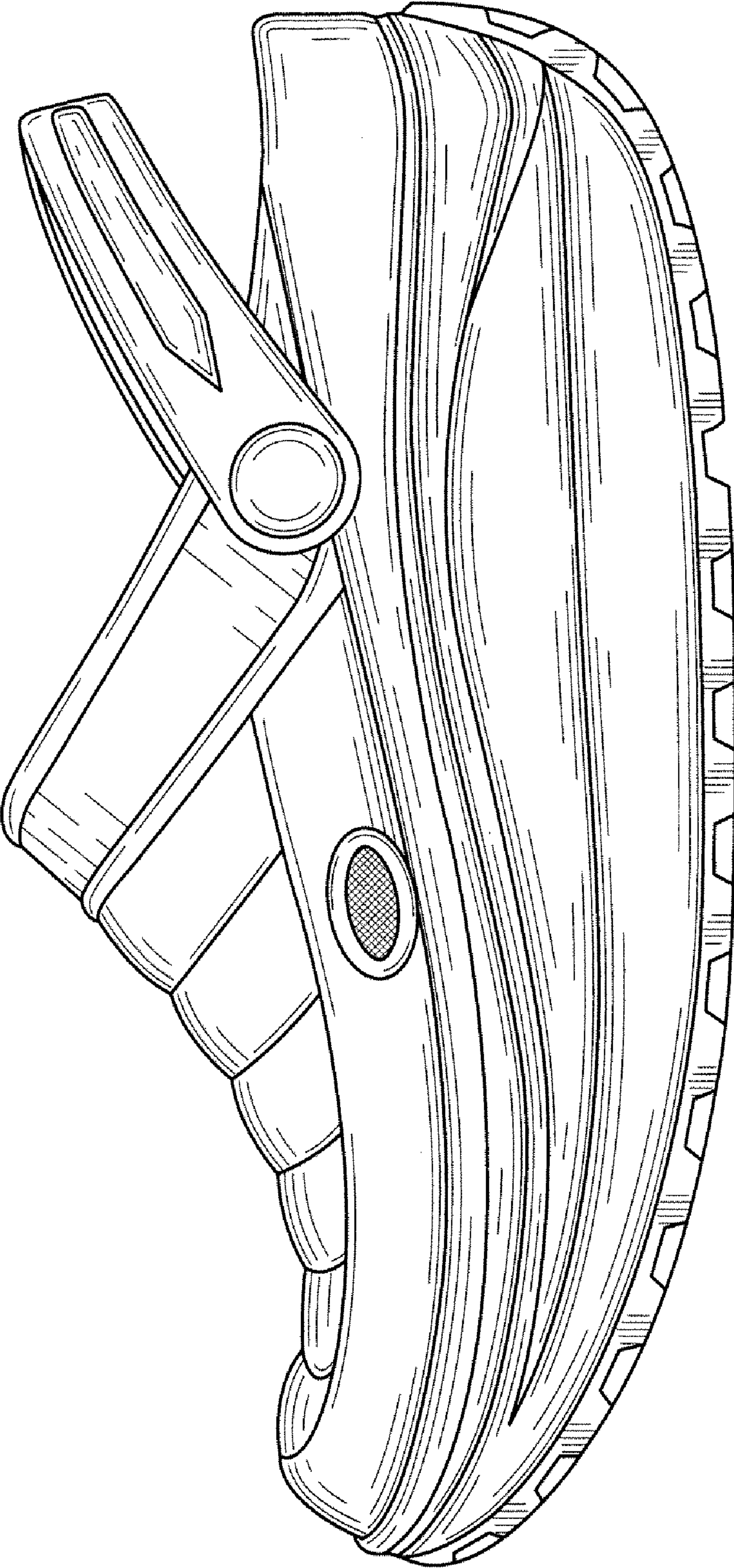


FIG. 5



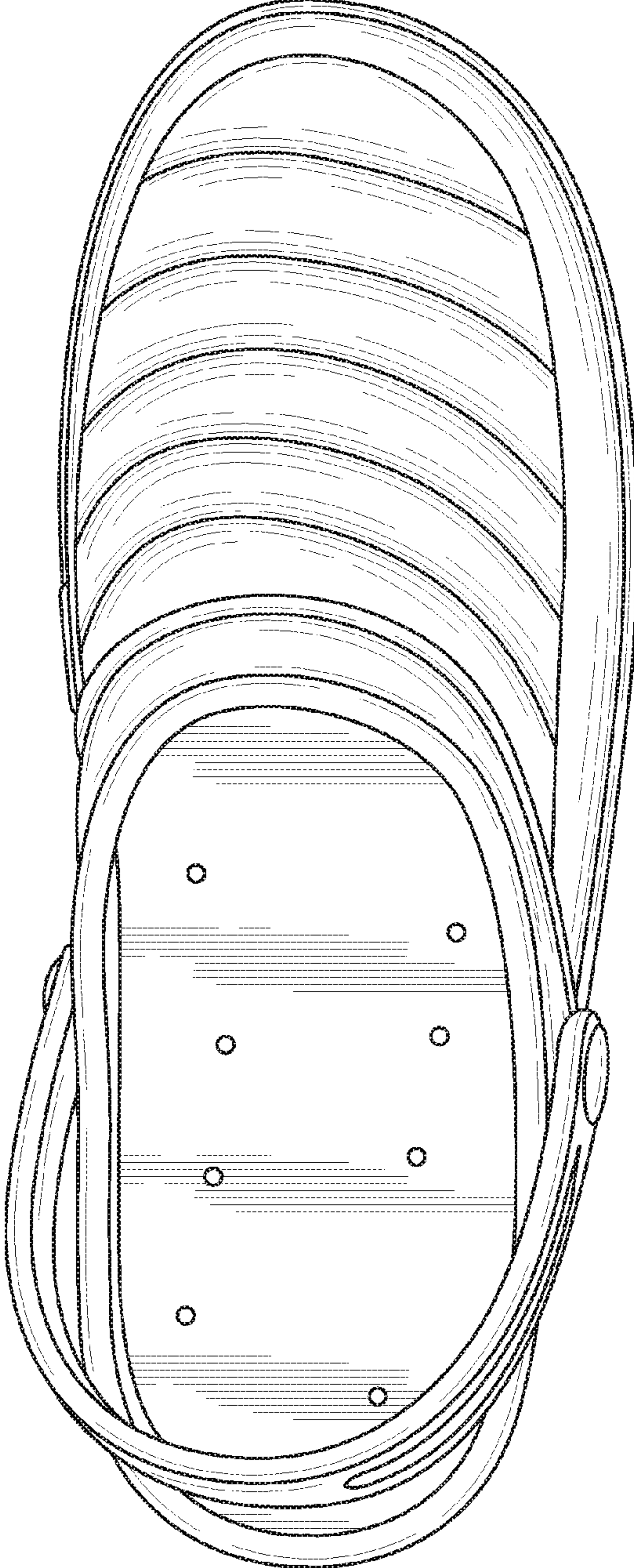


FIG. 6

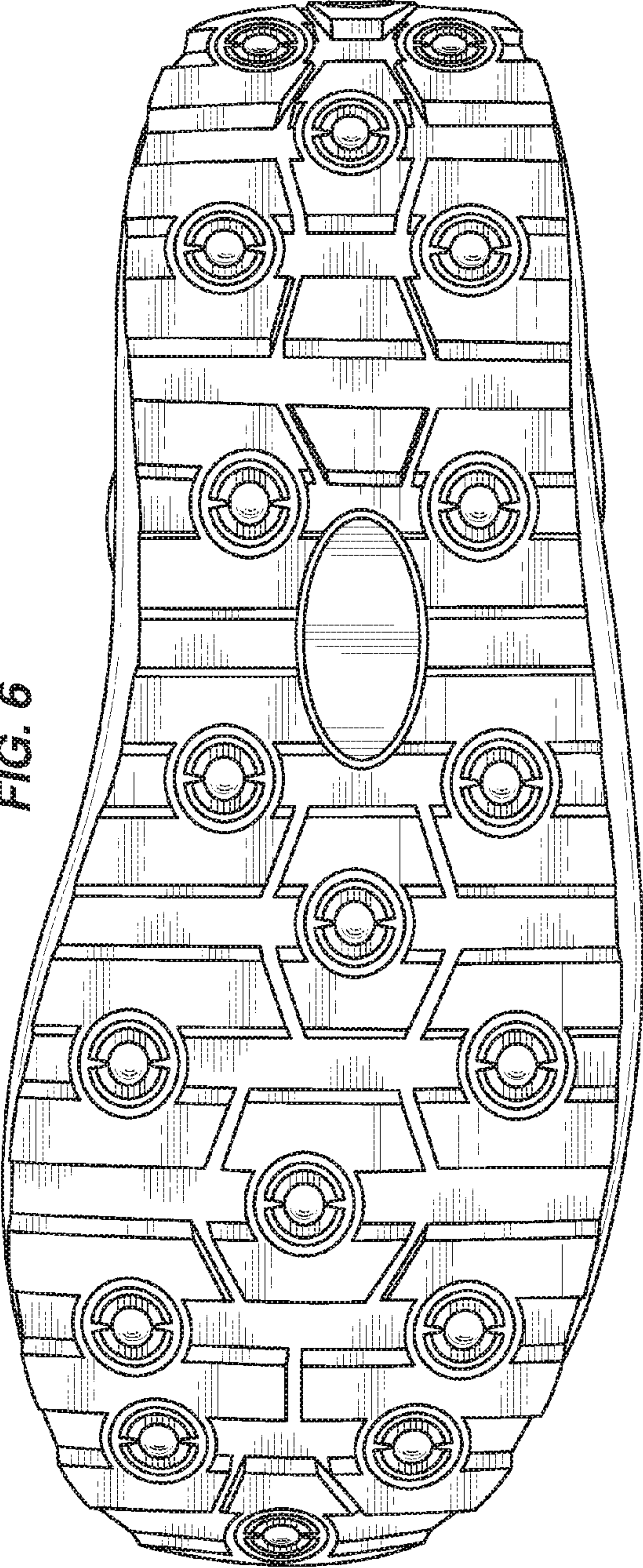


FIG. 7