



US00D626715S

(12) **United States Design Patent**
Kendall

(10) **Patent No.:** **US D626,715 S**

(45) **Date of Patent:** **** Nov. 2, 2010**

(54) **PET CASKET**

(75) Inventor: **Desmond M. Kendall**, Toronto (CA)

(73) Assignee: **Swedcan Lumican Plastics Inc.** (CA)

(**) Term: **14 Years**

(21) Appl. No.: **29/346,729**

(22) Filed: **Nov. 5, 2009**

(30) **Foreign Application Priority Data**

Jun. 25, 2009 (CA) 131112

(51) **LOC (9) Cl.** **99-02**

(52) **U.S. Cl.** **D99/1**

(58) **Field of Classification Search** D99/1-27,
D99/314, 315, 341; D9/522, 629, 757; D28/76,
D28/77, 78, 79, 80, 87; D3/270, 294, 295,
D3/205, 903; 229/116.2, 116.1, 116.3-116.5;
D11/30, 48, 56, 81, 103; 428/67; 63/32;
206/457, 518

See application file for complete search history.

(56) **References Cited**

U.S. PATENT DOCUMENTS

D138,201 S * 7/1944 Newlon D99/1

D253,975 S * 1/1980 Brunson D99/6
D341,915 S * 11/1993 Martin D99/1
D415,870 S * 10/1999 Severson et al. D99/1

* cited by examiner

Primary Examiner—Holly H Baynham

Assistant Examiner—Michelle E Wilson

(74) *Attorney, Agent, or Firm*—Trevor C. Klotz

(57) **CLAIM**

The ornamental design for a pet casket, as shown and described.

DESCRIPTION

FIG. 1 is a top plan view;

FIG. 2 is a front view;

FIG. 3 is a rear view;

FIG. 4 is a bottom plan view;

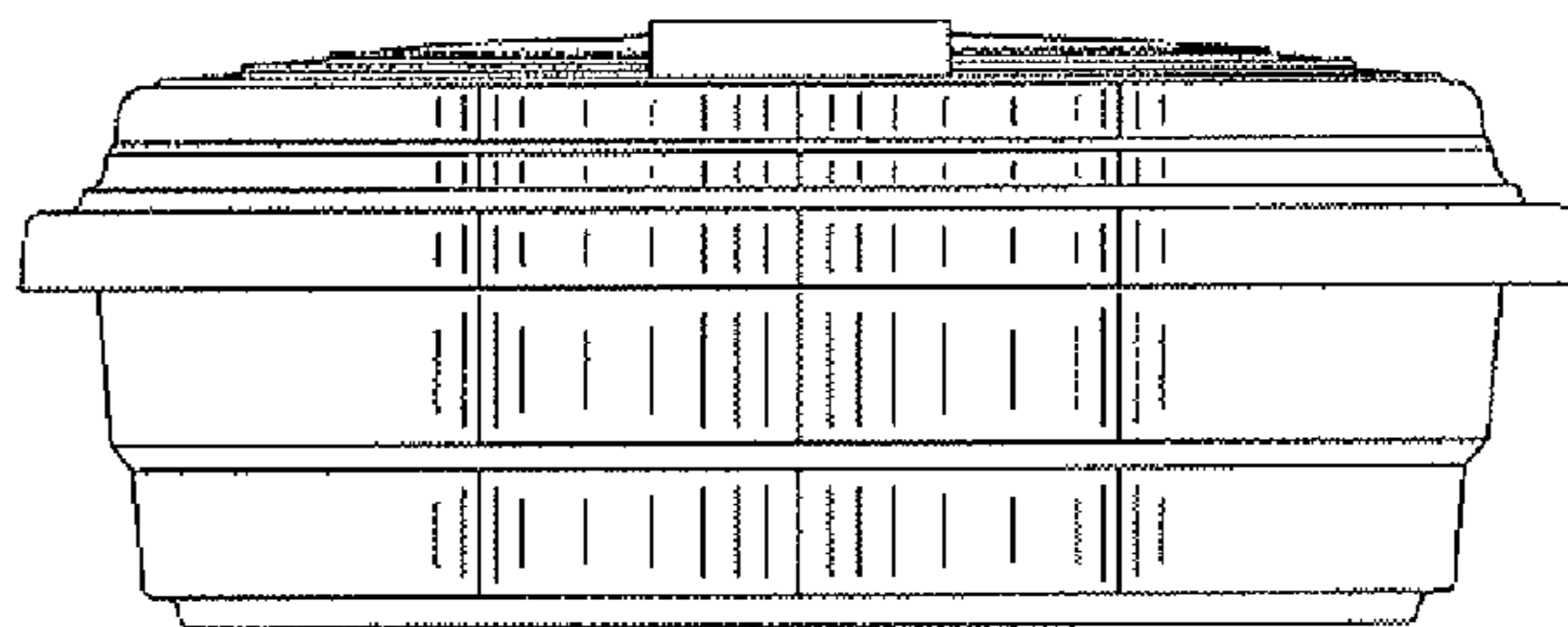
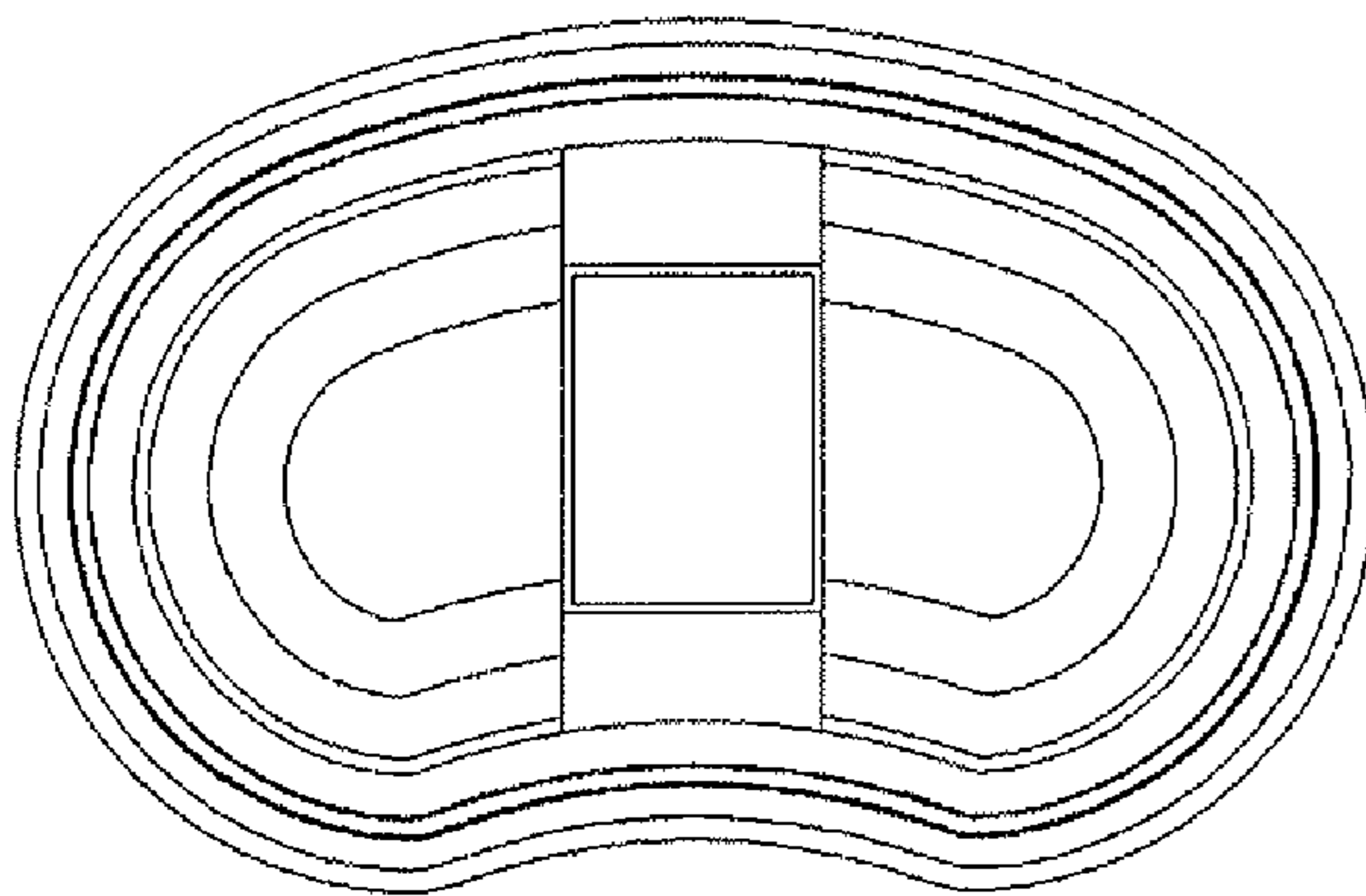
FIG. 5 is a left side view;

FIG. 6 is a right side view;

FIG. 7 is a front perspective view; and,

FIG. 8 is a rear perspective view.

1 Claim, 3 Drawing Sheets



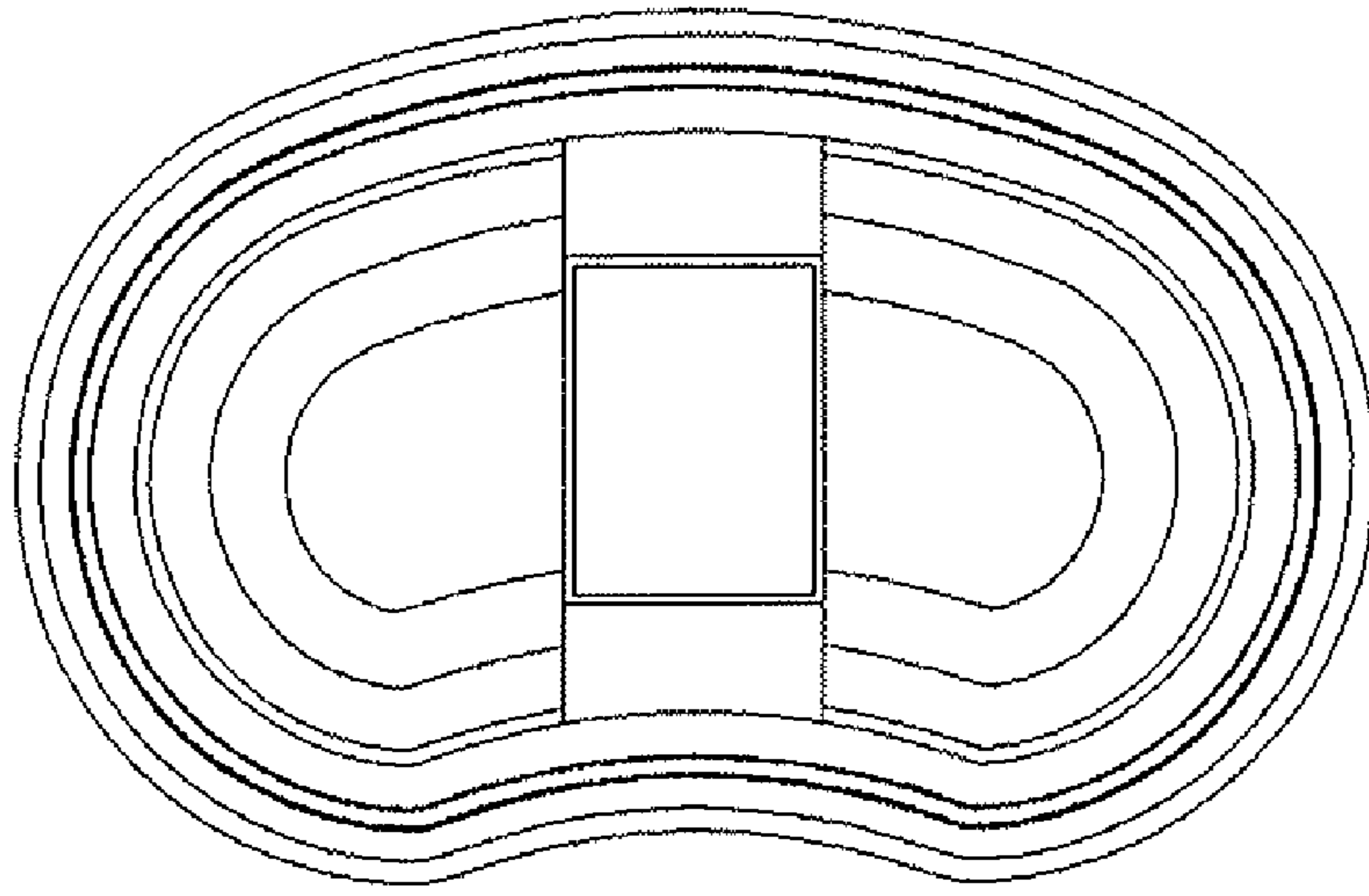


Figure: 1

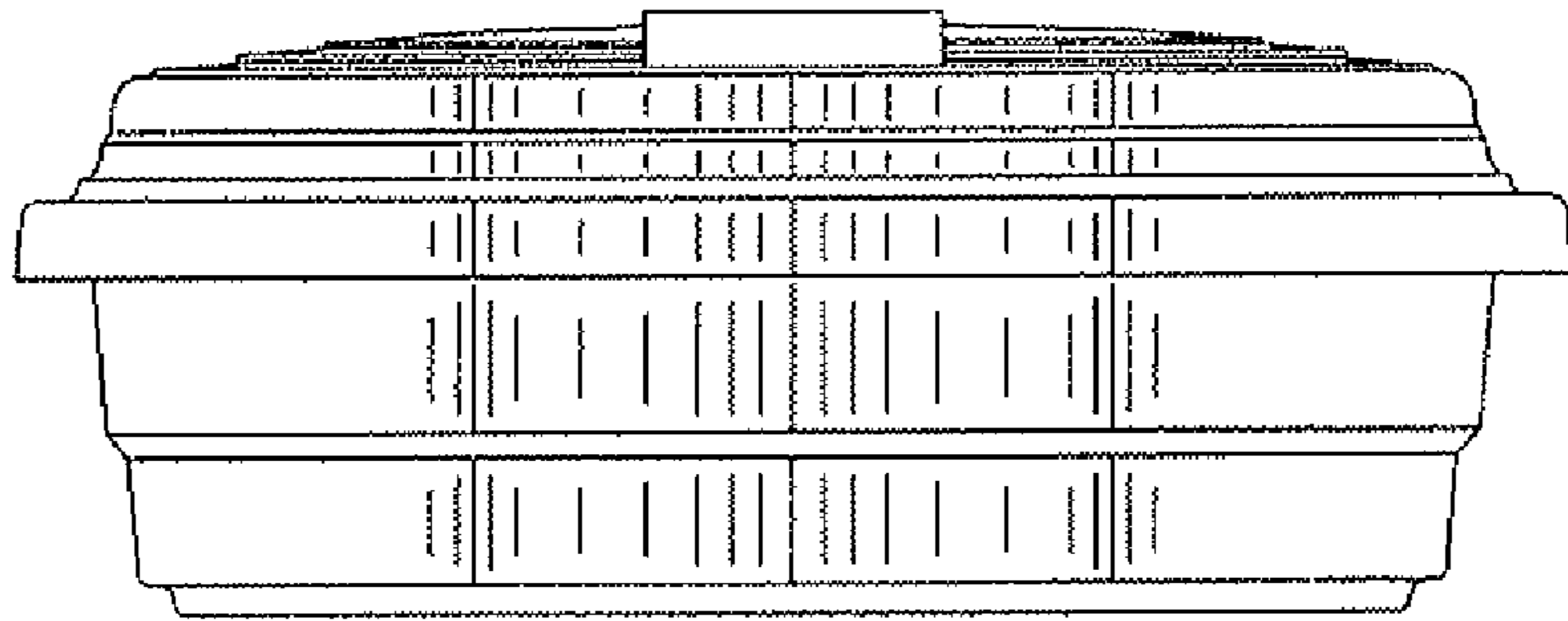


Figure: 2

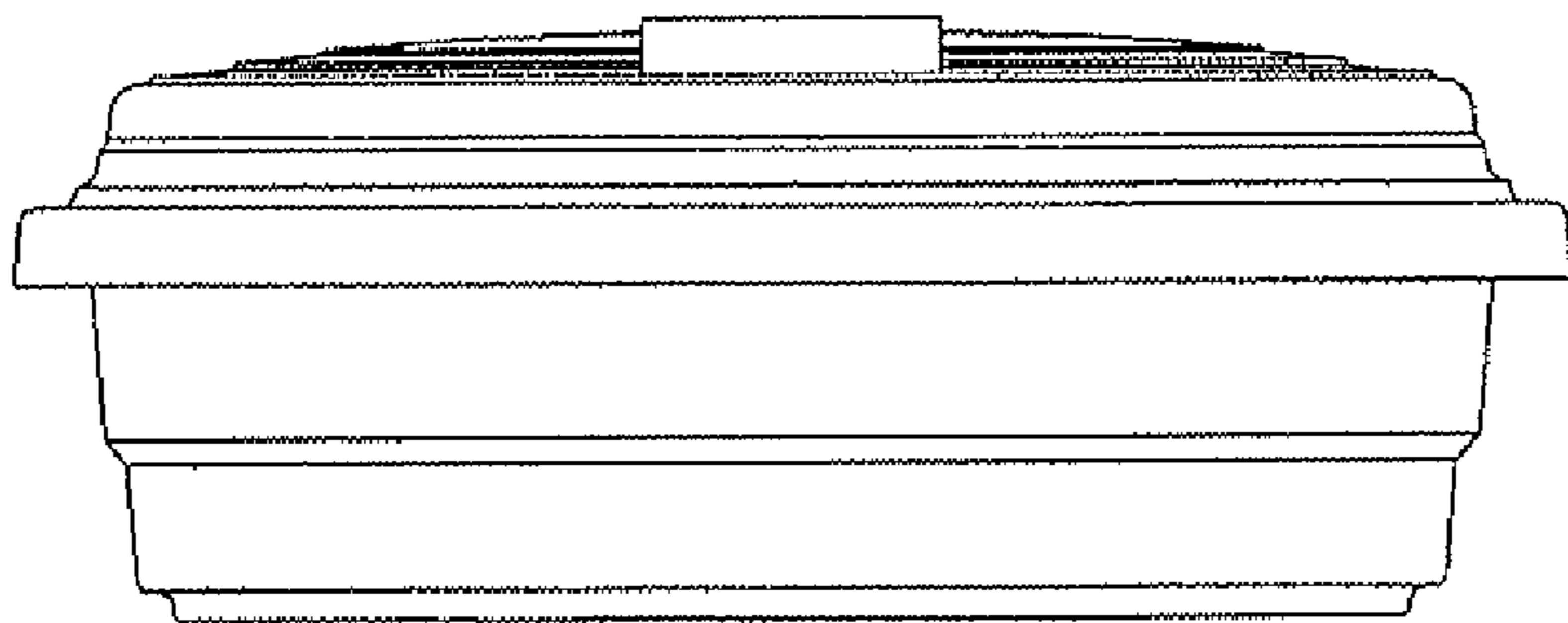


Figure: 3

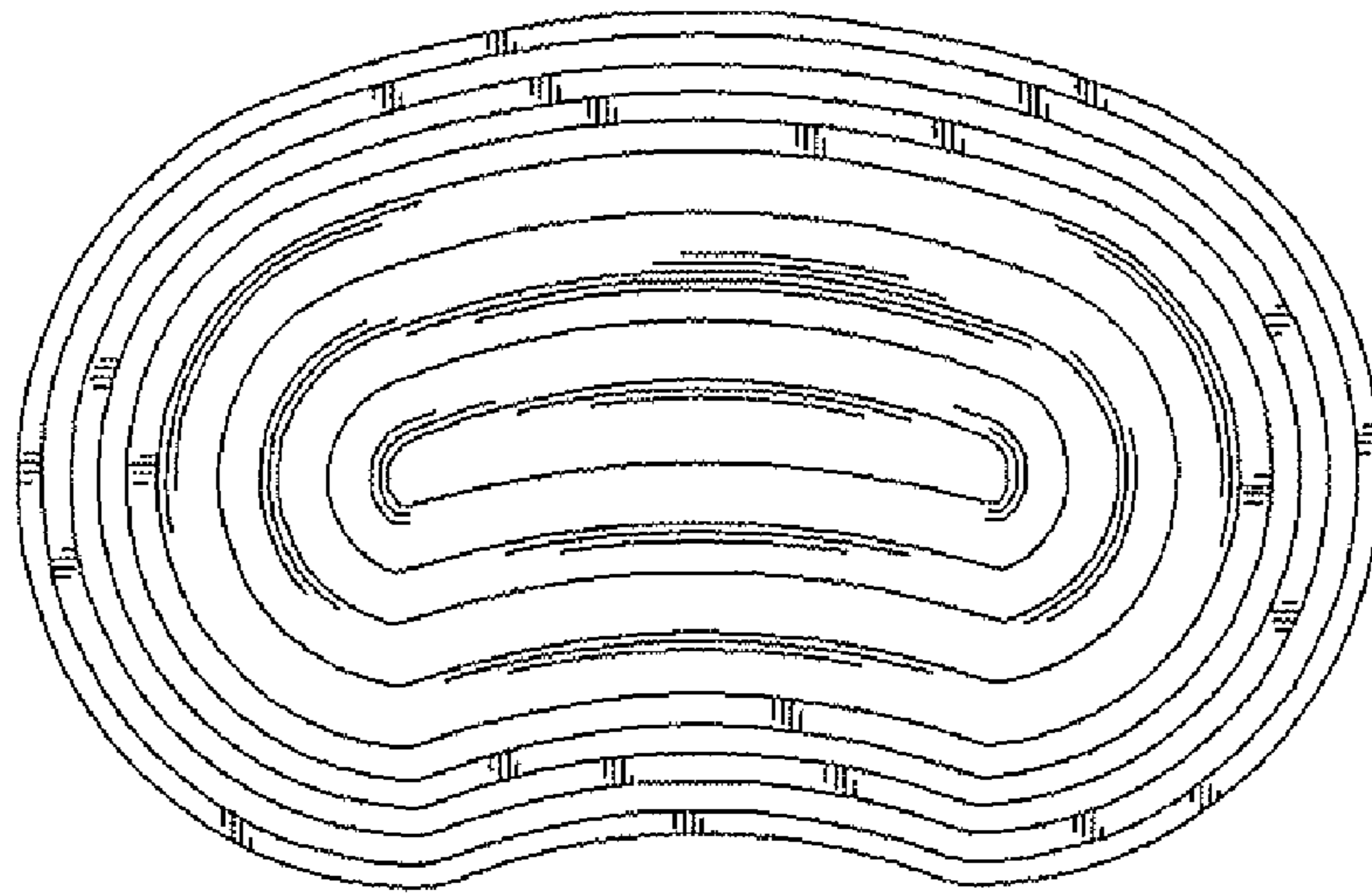


Figure: 4

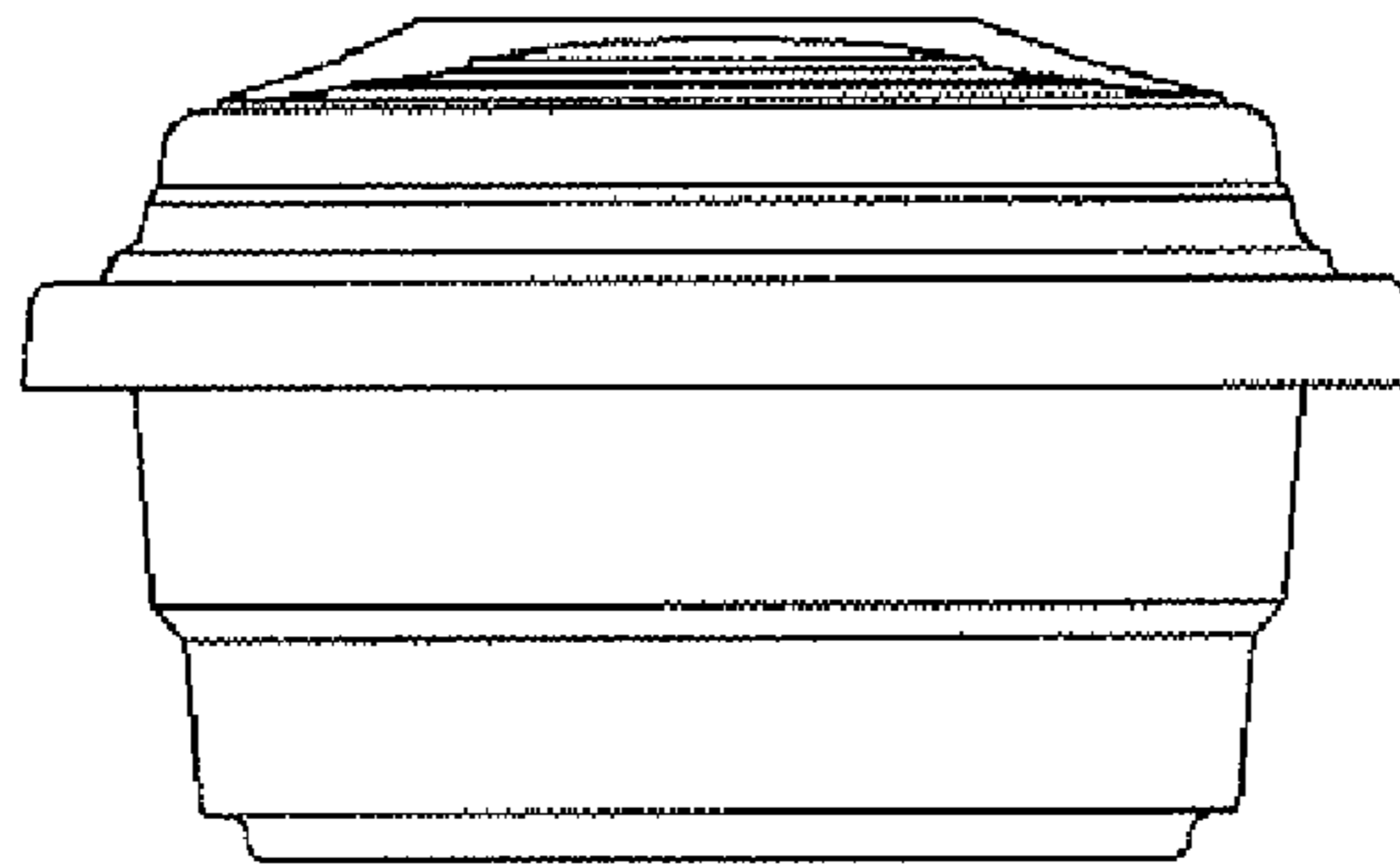


Figure: 5

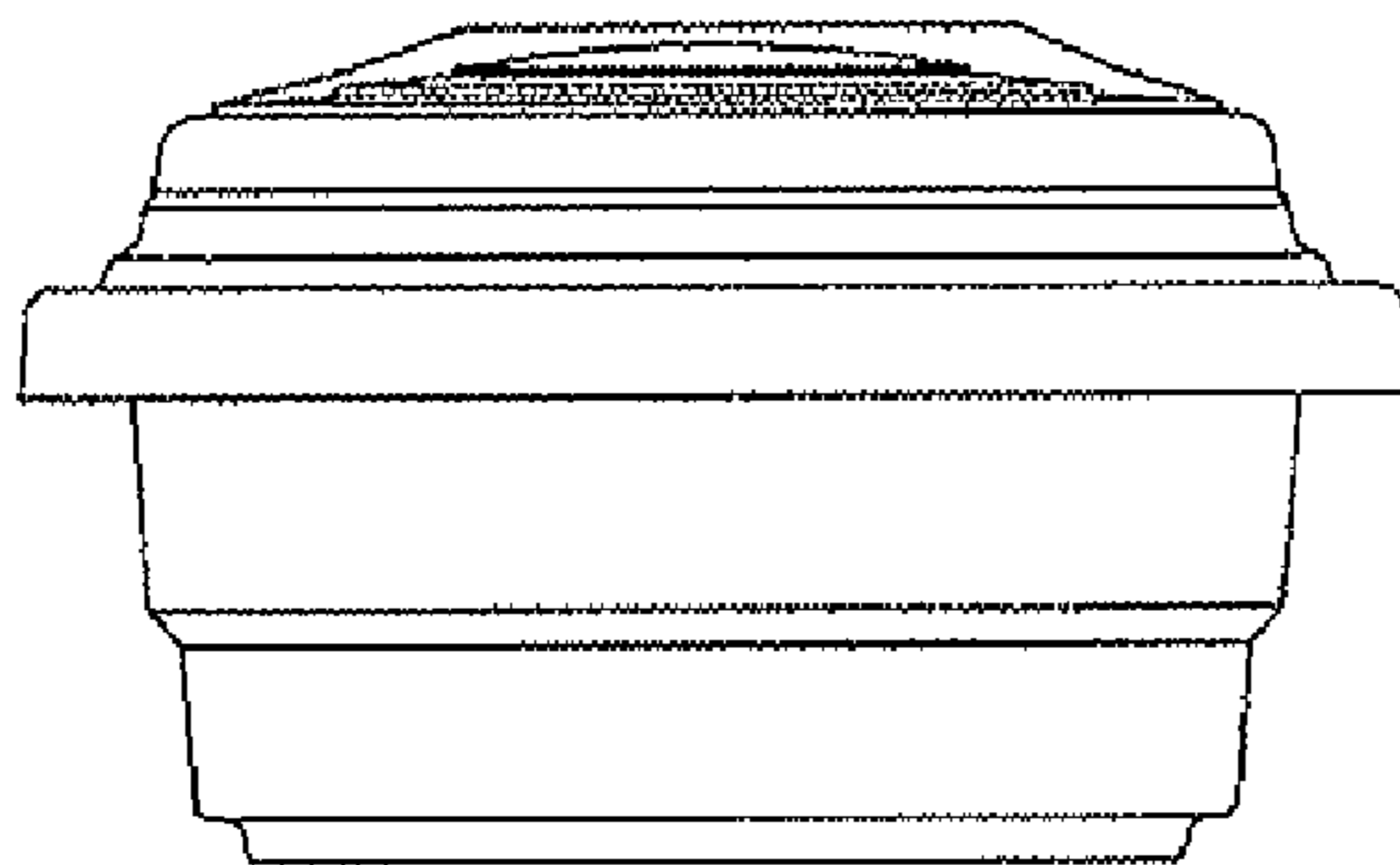


Figure: 6

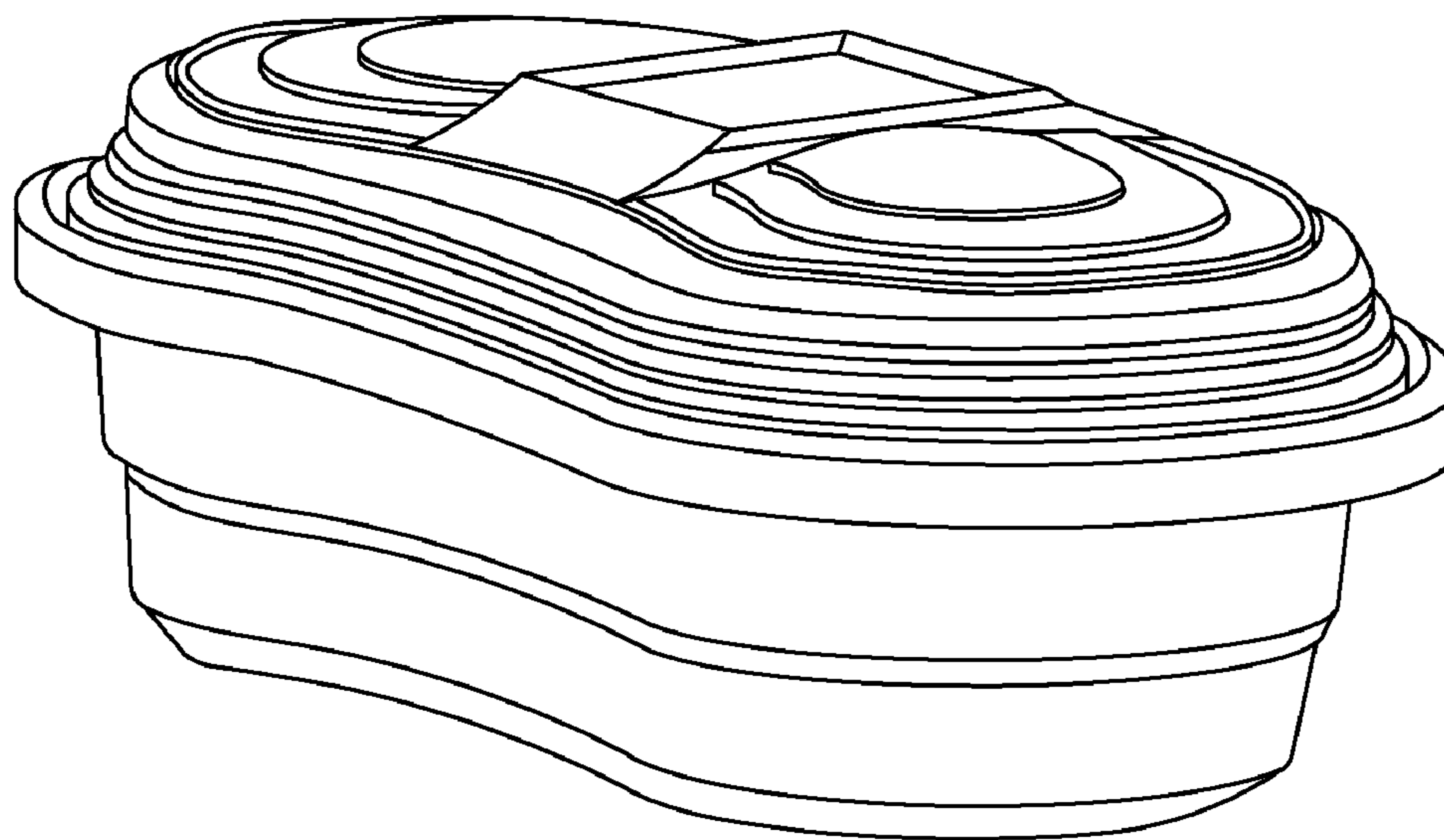


Figure: 7

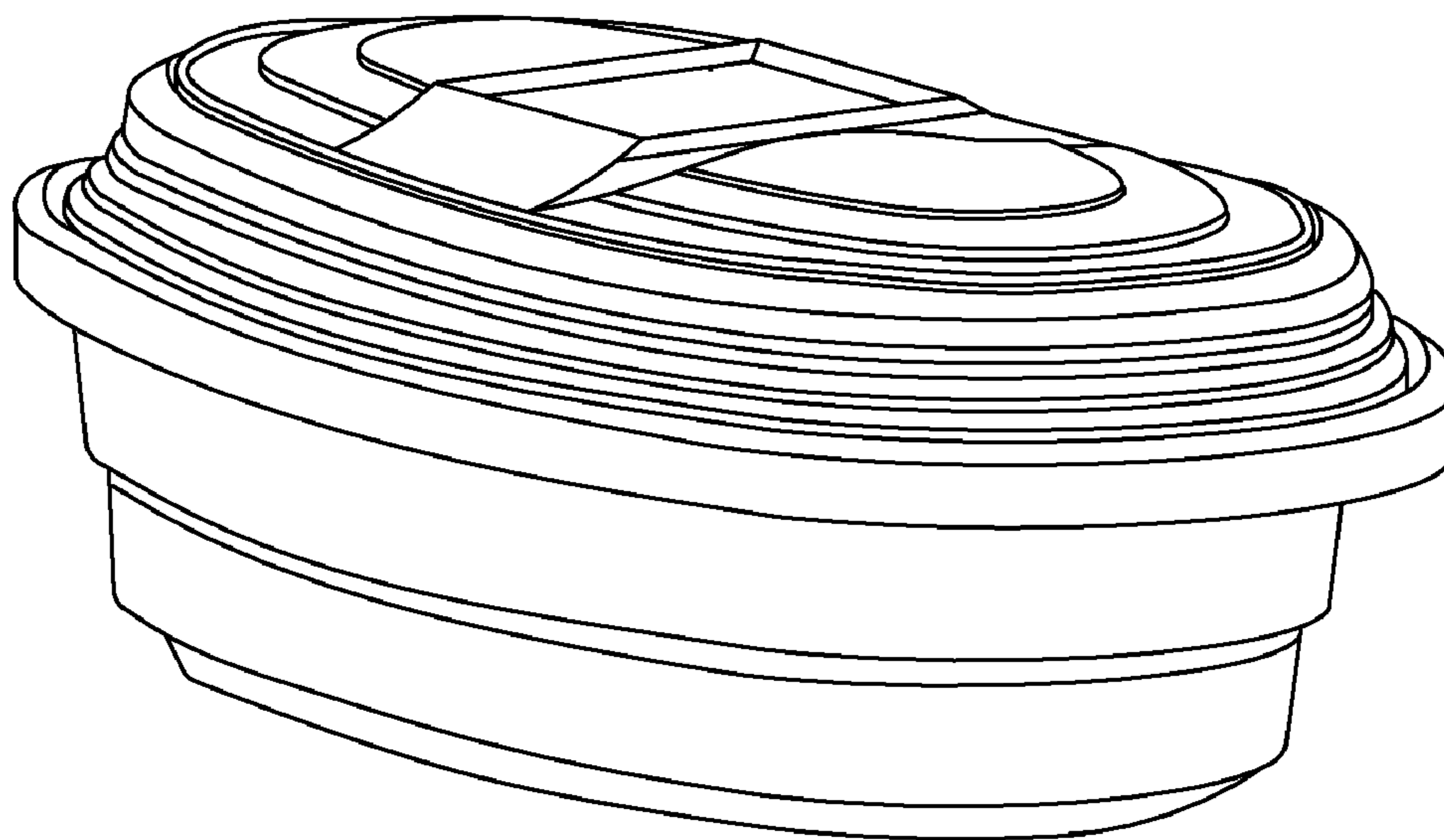


Figure: 8