



US00D626714S

(12) **United States Design Patent**
Standke

(10) **Patent No.:** **US D626,714 S**

(45) **Date of Patent:** **** Nov. 2, 2010**

(54) **HANDLE UNIT**

(75) Inventor: **Kurt Standke**, Bonn (DE)

(73) Assignee: **Rema Lipprandt GmbH & Co. KG**,
Bonn (DE)

(**) Term: **14 Years**

(21) Appl. No.: **29/352,486**

(22) Filed: **Dec. 22, 2009**

(30) **Foreign Application Priority Data**

Jun. 23, 2009 (EM) 001558271

(51) **LOC (9) Cl.** **12-05**

(52) **U.S. Cl.** **D34/35**

(58) **Field of Classification Search** D34/34,
D34/35; 280/43.12, 43.23, 43.17; 74/488,
74/484 R; 187/237, 238; 180/89.12, 89.13,
180/89.17

See application file for complete search history.

(56) **References Cited**

U.S. PATENT DOCUMENTS

D364,029 S * 11/1995 Noonan et al. D34/35

D384,478 S * 9/1997 Prehn et al. D34/35

5,964,313 A * 10/1999 Guy 180/332
D445,553 S * 7/2001 Pulskamp et al. D34/35
D450,417 S * 11/2001 Pulskamp et al. D34/35
D497,463 S * 10/2004 Swetish D34/35
D563,074 S * 2/2008 Standke D34/35
D600,425 S * 9/2009 Smiley et al. D34/35
2006/0232030 A1 * 10/2006 Passeri 280/43.12

* cited by examiner

Primary Examiner—Cynthia E Ramirez

(74) *Attorney, Agent, or Firm*—Norman B. Thot

(57) **CLAIM**

The ornamental design for a handle unit, as shown and described.

DESCRIPTION

FIG. 1 is a front, top perspective view of a handle unit showing my new design;

FIG. 2 is a front, left, top-side perspective view thereof;

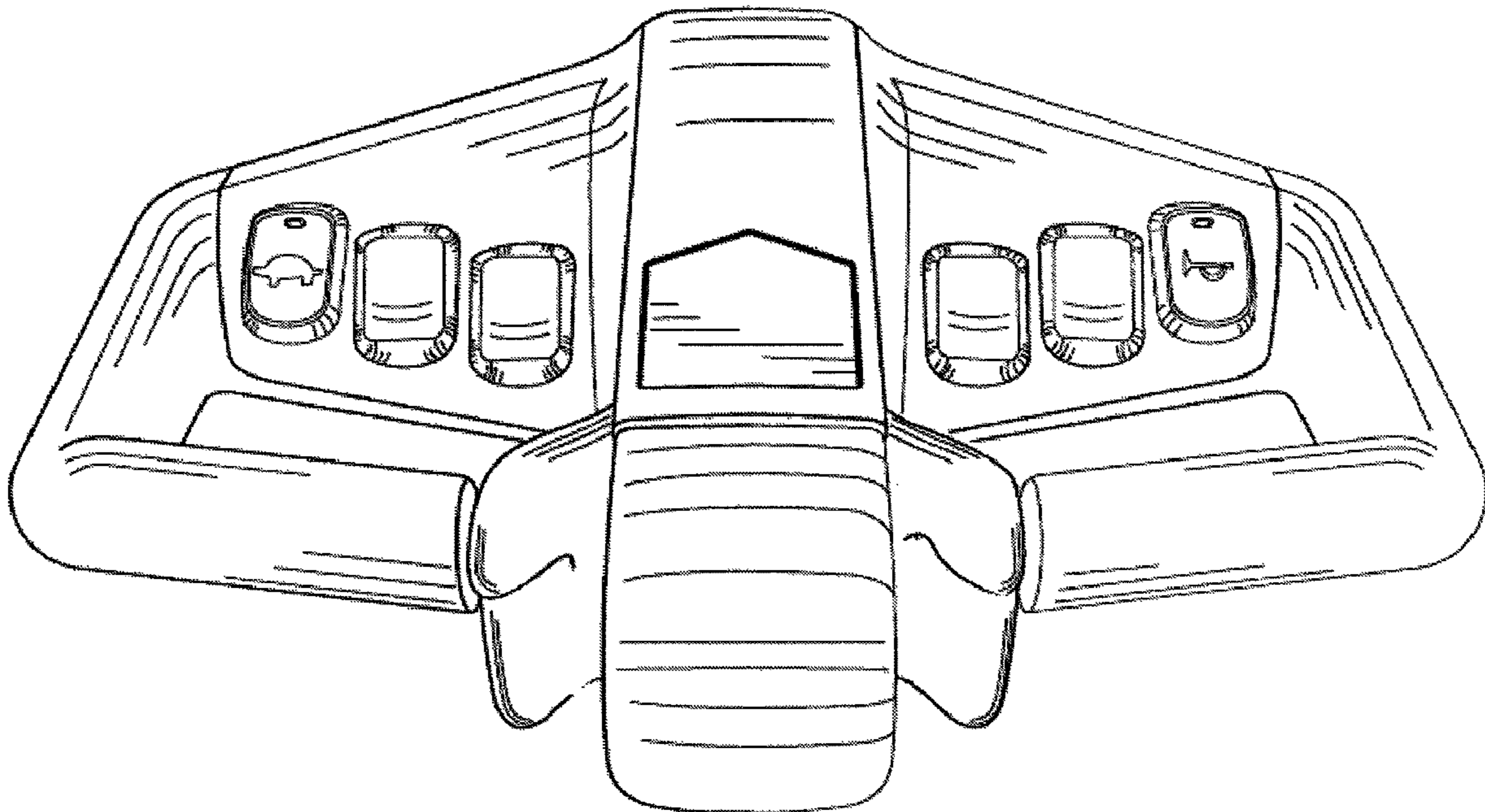
FIG. 3 is a front, right, top-side perspective view thereof;

FIG. 4 is a back, right, top-side perspective view thereof;

FIG. 5 is a back, left, top-side perspective view thereof; and,

FIG. 6 is a front, bottom perspective view thereof.

1 Claim, 6 Drawing Sheets



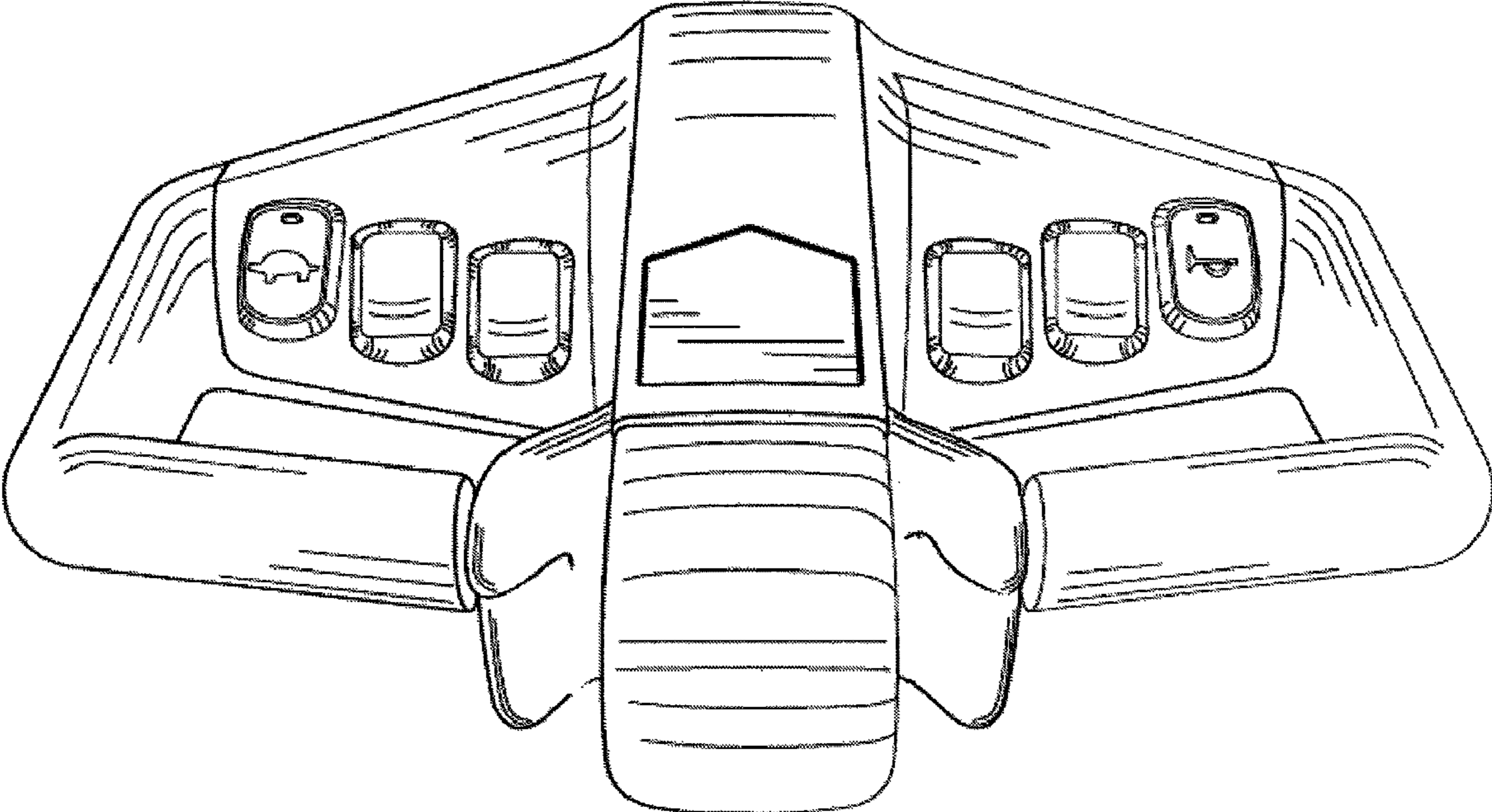


FIG. 1

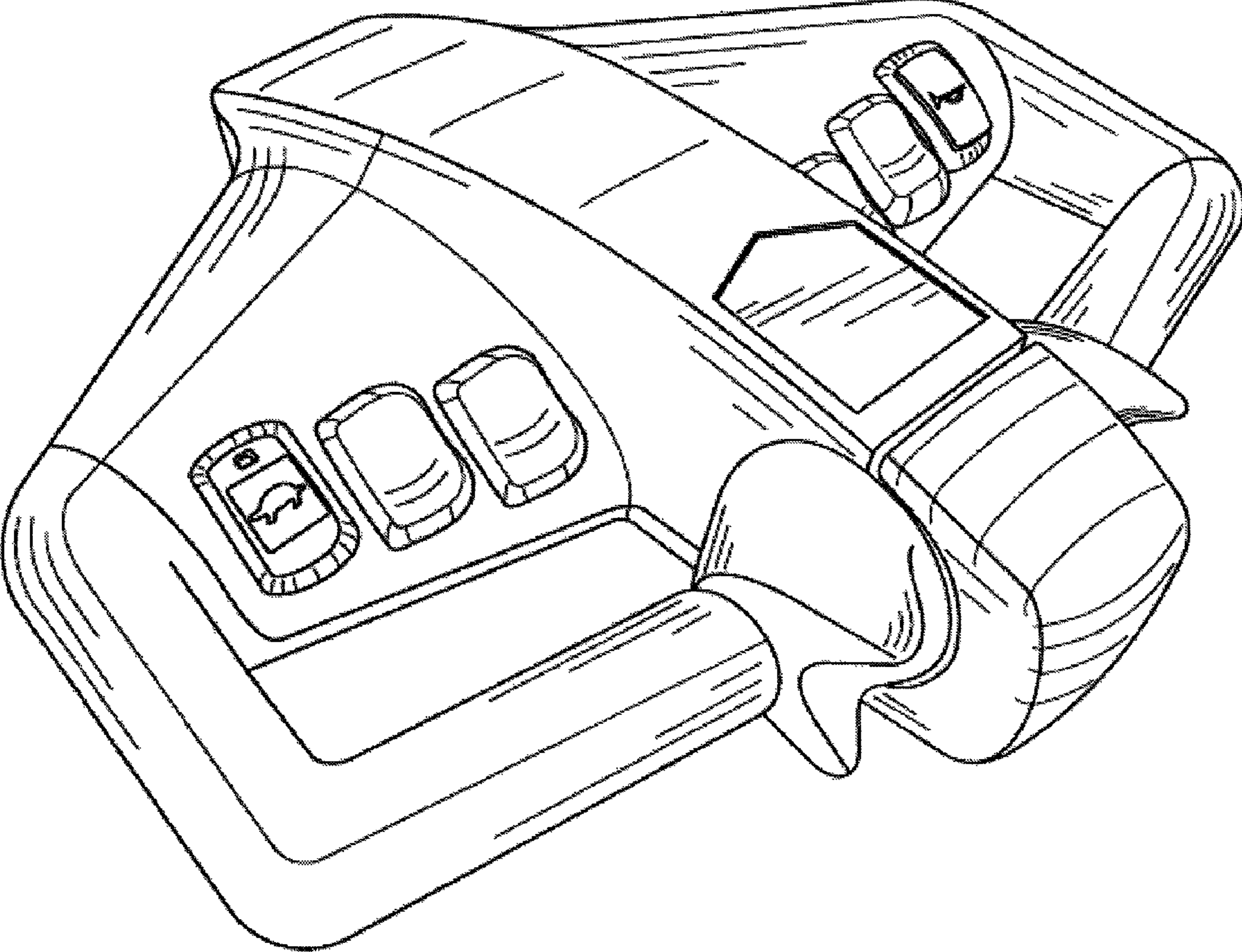


FIG. 2

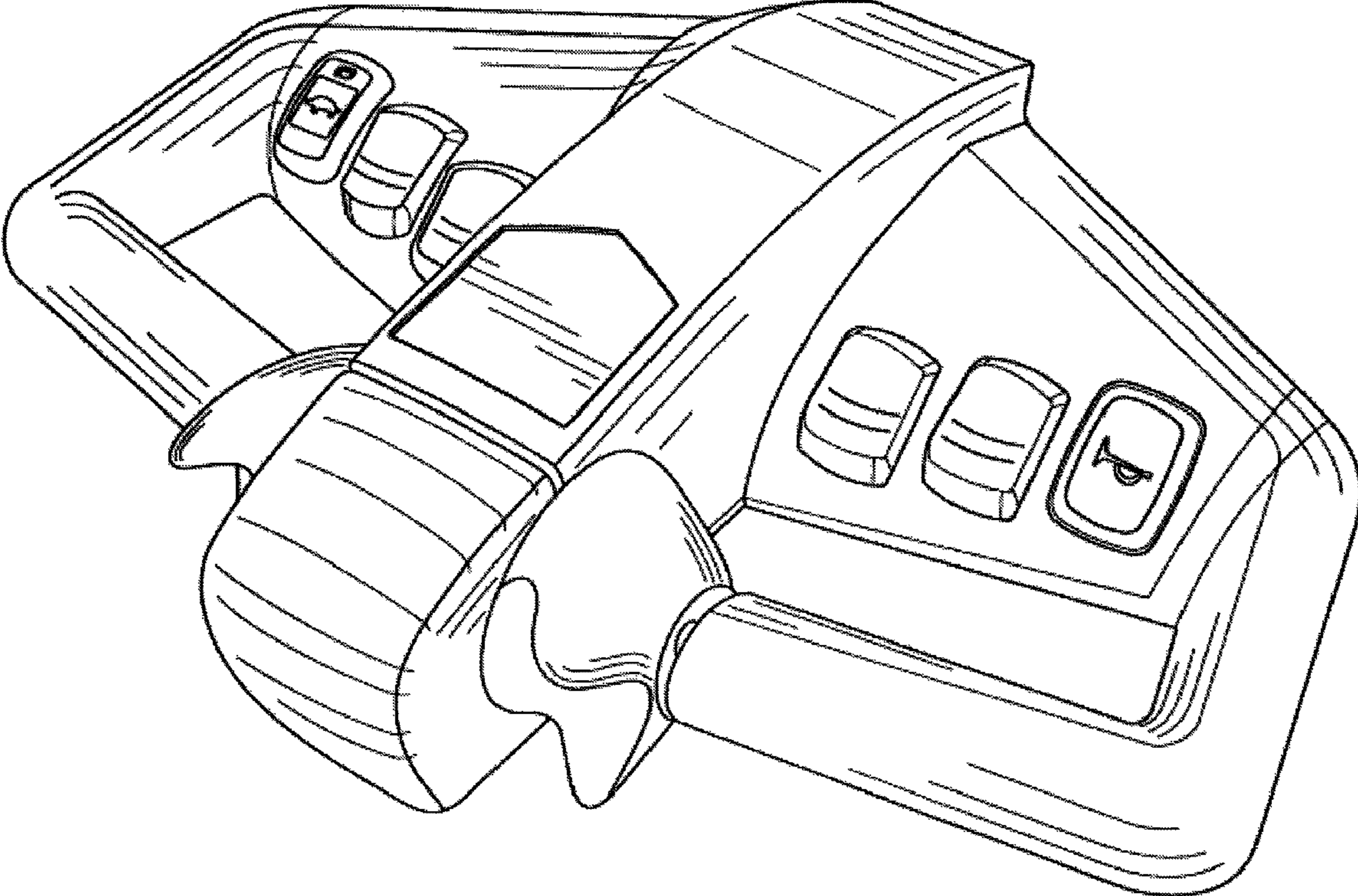


FIG. 3

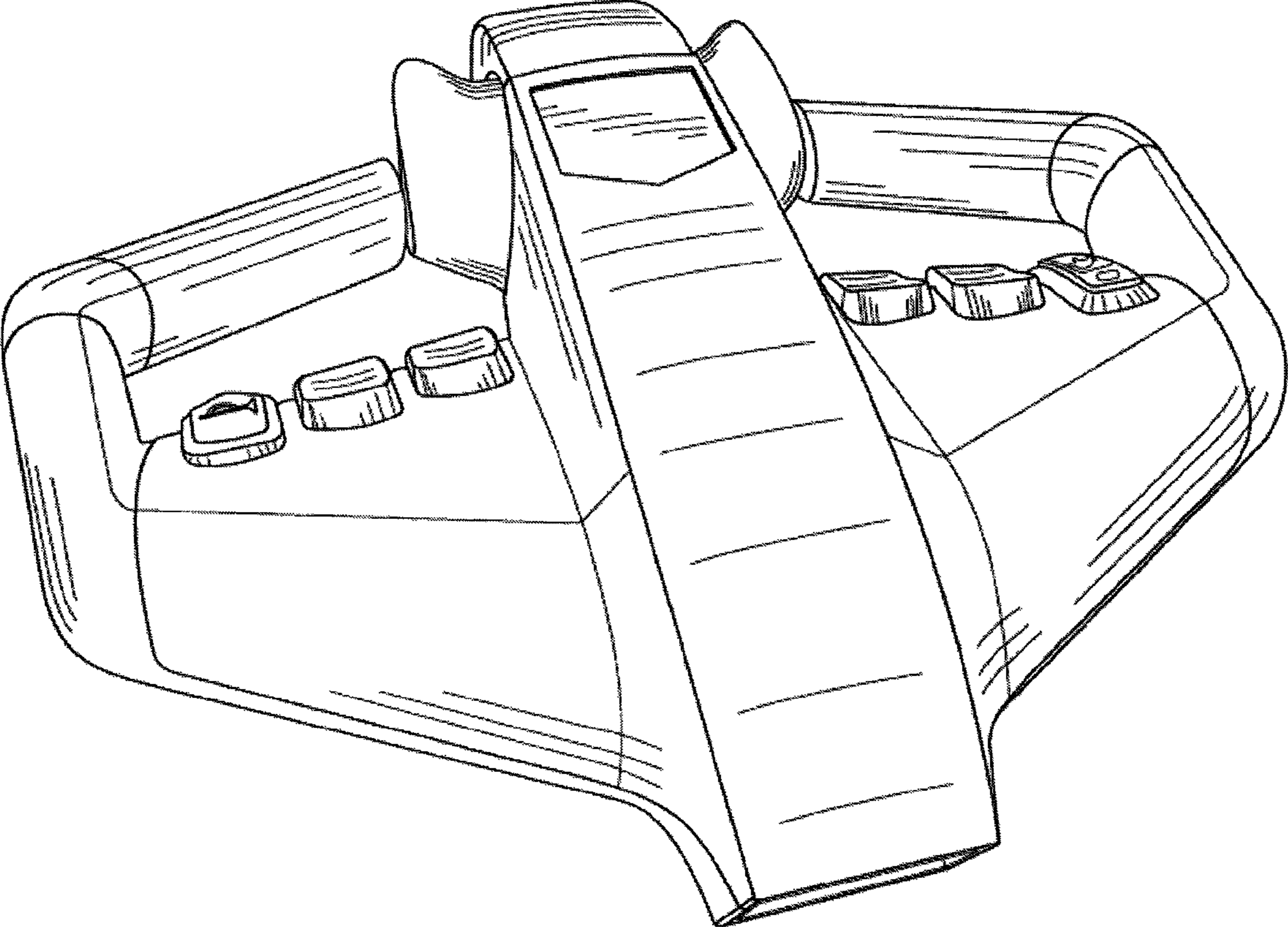


FIG. 4

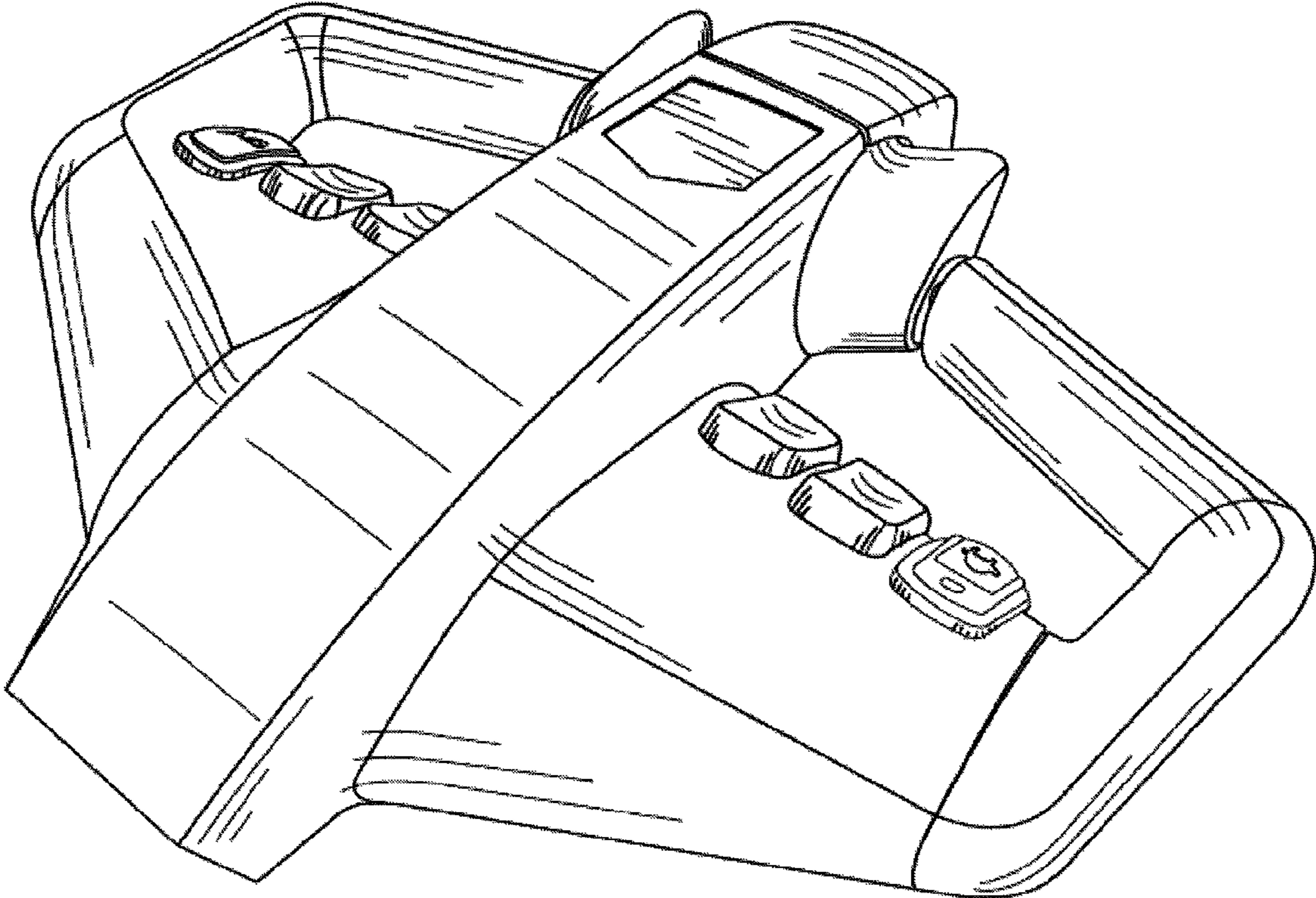


FIG. 5

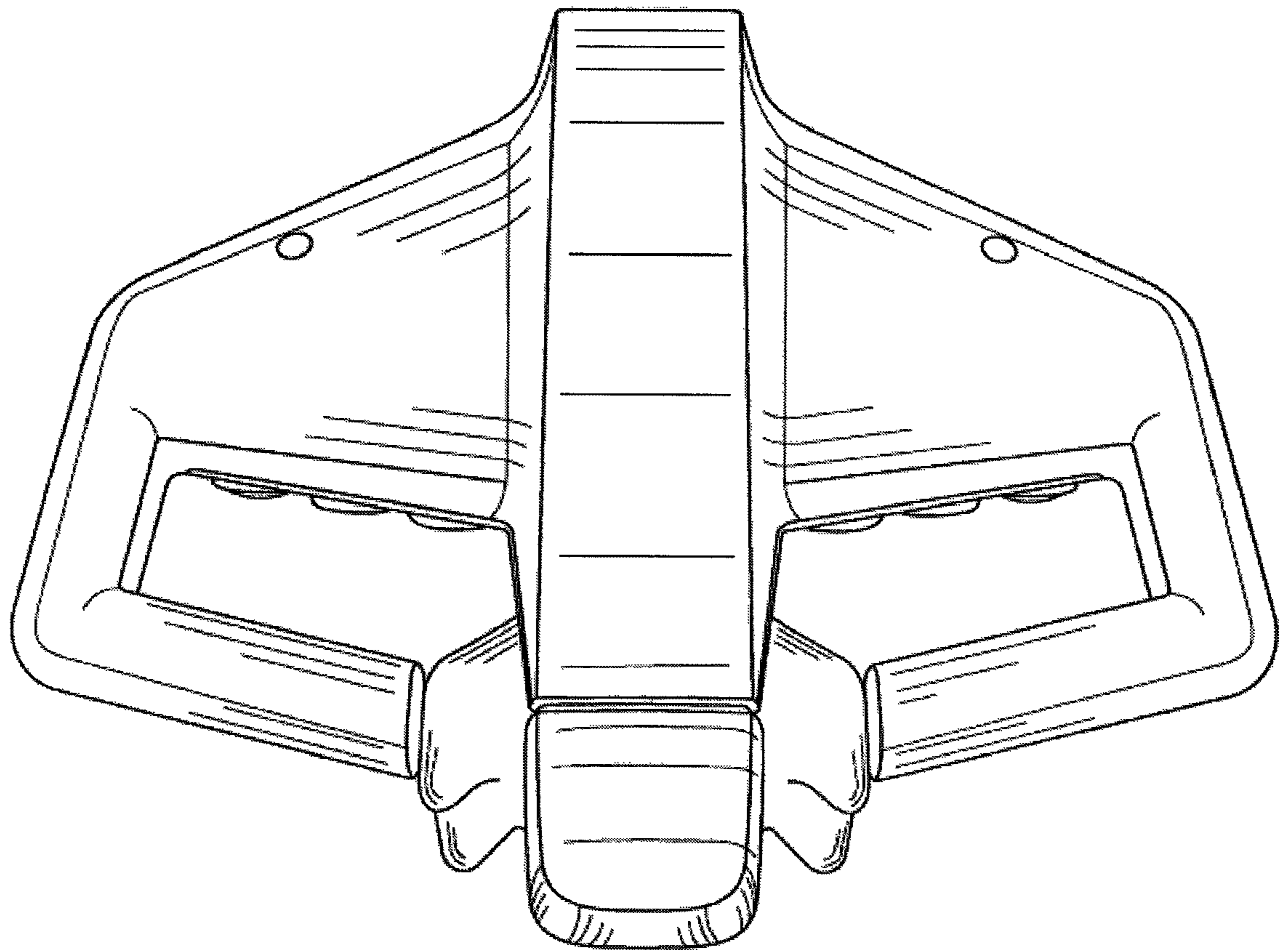


FIG. 6