



US00D626709S

(12) **United States Design Patent**  
**Fjellman**

(10) **Patent No.:** **US D626,709 S**  
(45) **Date of Patent:** **\*\* Nov. 2, 2010**

(54) **VACUUM CLEANER**

(75) **Inventor:** **Oskar Fjellman**, Stockholm (SE)

(73) **Assignee:** **Aktiebolaget Electrolux**, Stockholm (SE)

(\*\*) **Term:** **14 Years**

(21) **Appl. No.:** **29/338,392**

(22) **Filed:** **Jun. 10, 2009**

(30) **Foreign Application Priority Data**

Dec. 22, 2008 (EM) ..... 001061519

(51) **LOC (9) Cl.** ..... **15-05**

(52) **U.S. Cl.** ..... **D32/21**

(58) **Field of Classification Search** ..... D32/17-18,  
D32/21, 23-24, 31; 15/327, 1, 327.2, 327.4-327.7,  
15/344, 353, 320-321, 412

See application file for complete search history.

(56) **References Cited**

**U.S. PATENT DOCUMENTS**

- D485,653 S \* 1/2004 Warburton ..... D32/21
- D518,609 S \* 4/2006 Ågren et al. .... D32/21
- D559,482 S \* 1/2008 Jansson et al. .... D32/21
- D584,463 S \* 1/2009 Jansson et al. .... D32/21

D599,512 S \* 9/2009 Lee et al. .... D32/21

**FOREIGN PATENT DOCUMENTS**

- EM 000010681-0001 7/2003
- EM 000833165-0001 7/2008

**OTHER PUBLICATIONS**

U.S. Appl. No. 29/323,205, filed Aug. 20, 2008.

\* cited by examiner

*Primary Examiner*—Ruth McInroy

(74) *Attorney, Agent, or Firm*—Banner & Witcoff, Ltd.

(57) **CLAIM**

The ornamental design for a vacuum cleaner, as shown and described.

**DESCRIPTION**

FIG. 1 is a front perspective view of a vacuum cleaner showing my new design;

FIG. 2 is a left side view thereof;

FIG. 3 is a top plan view thereof;

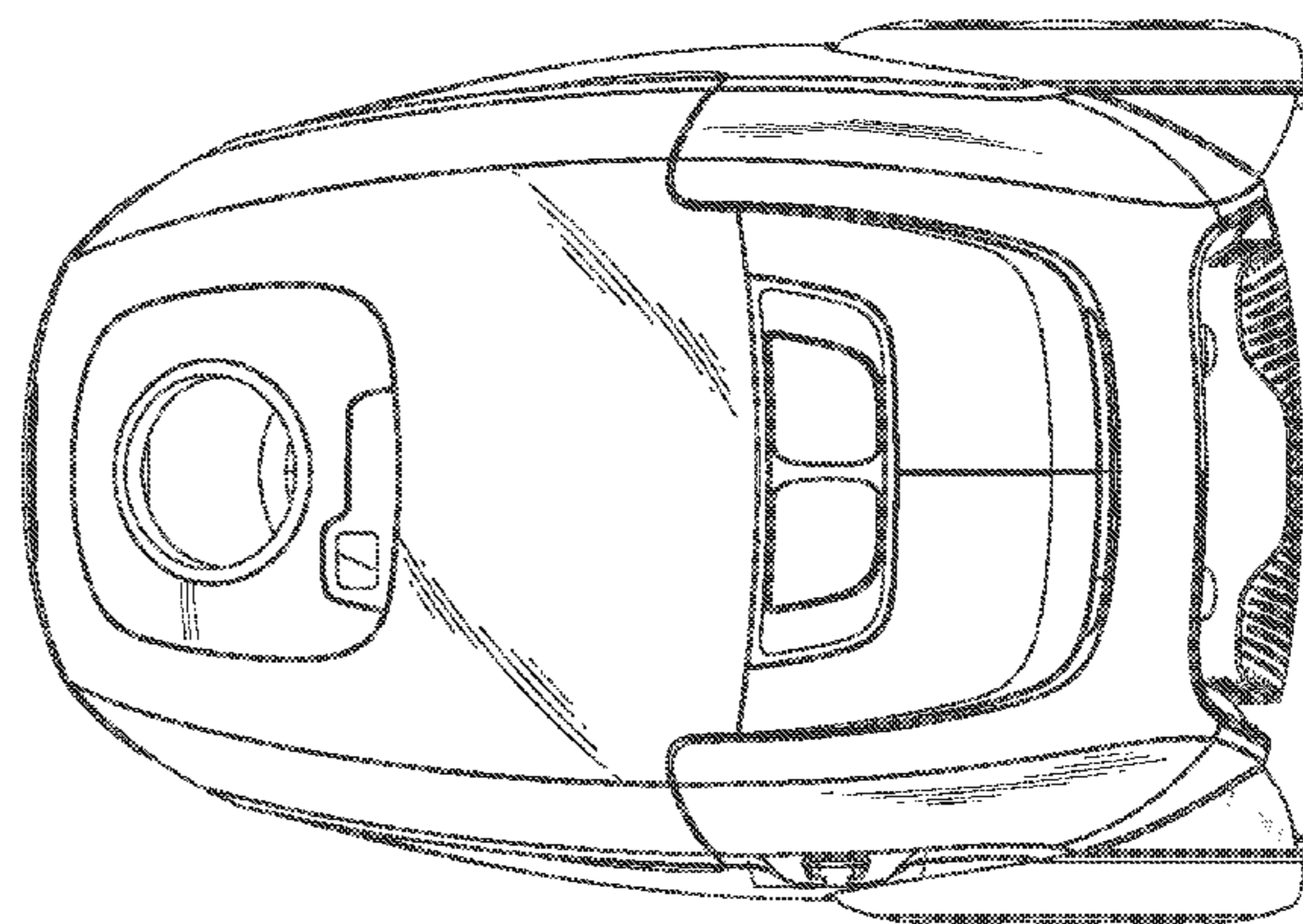
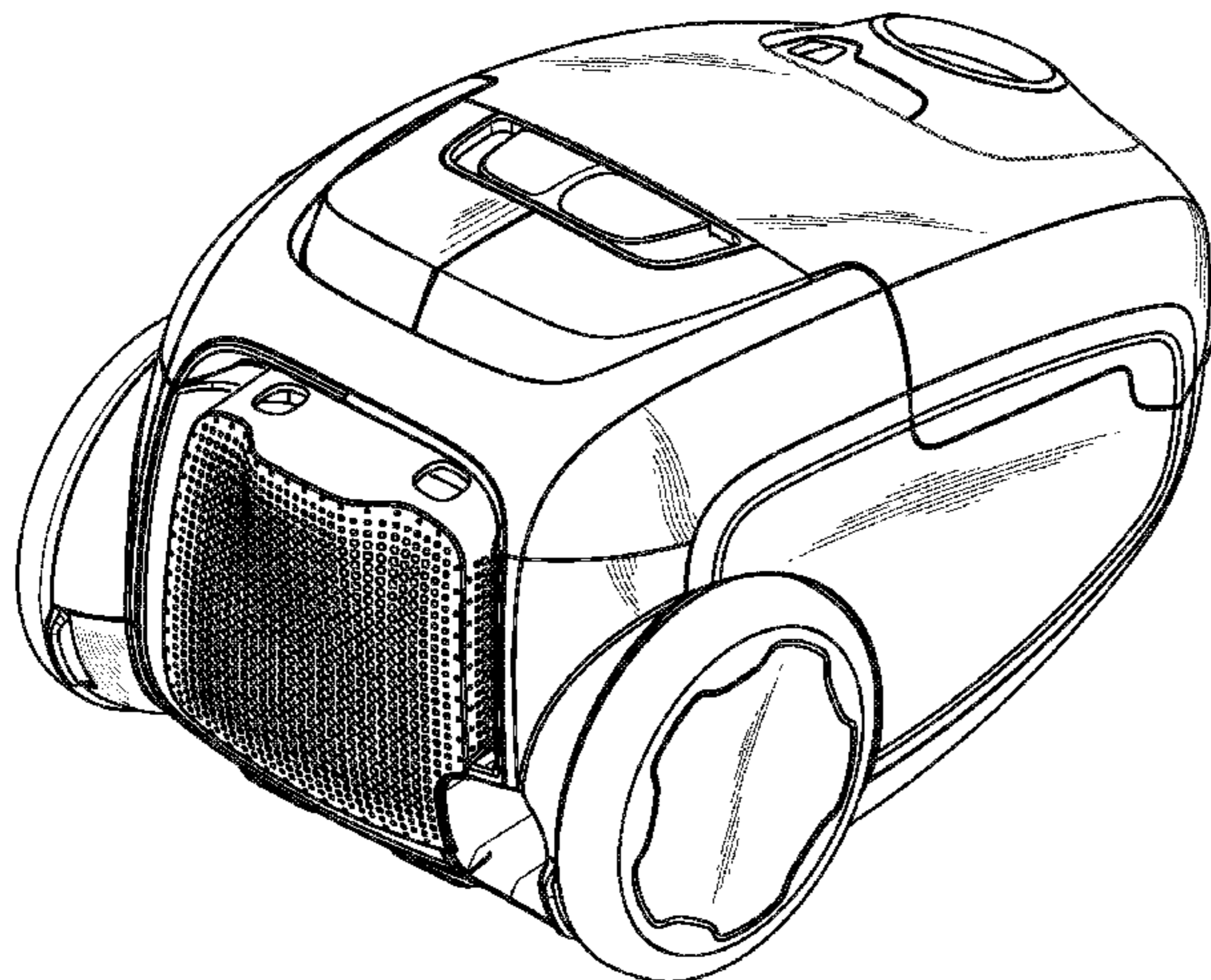
FIG. 4 is a right side view thereof;

FIG. 5 is a bottom view thereof;

FIG. 6 is a rear elevational view thereof; and,

FIG. 7 is a front perspective view thereof.

**1 Claim, 4 Drawing Sheets**



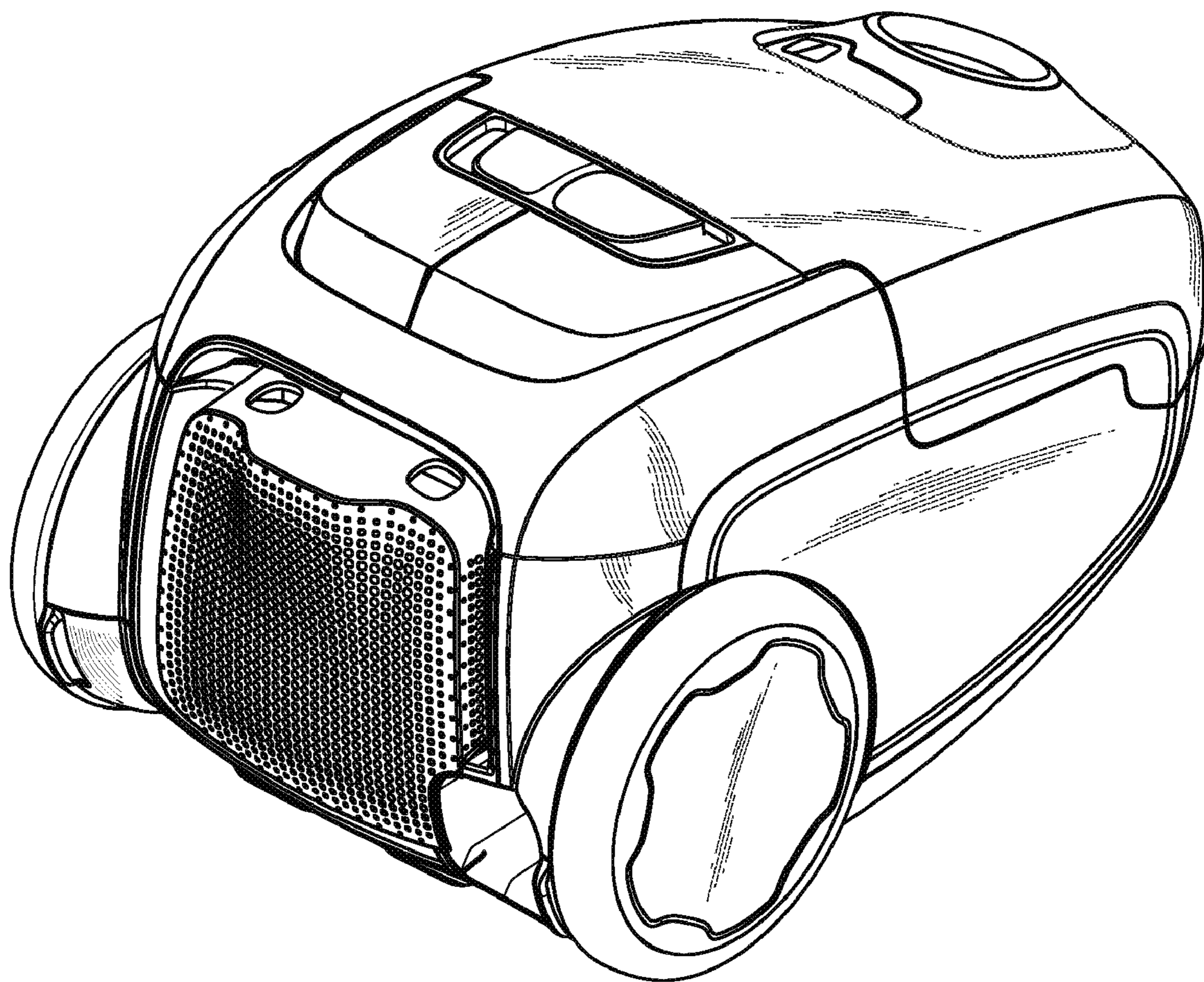


FIG. 1



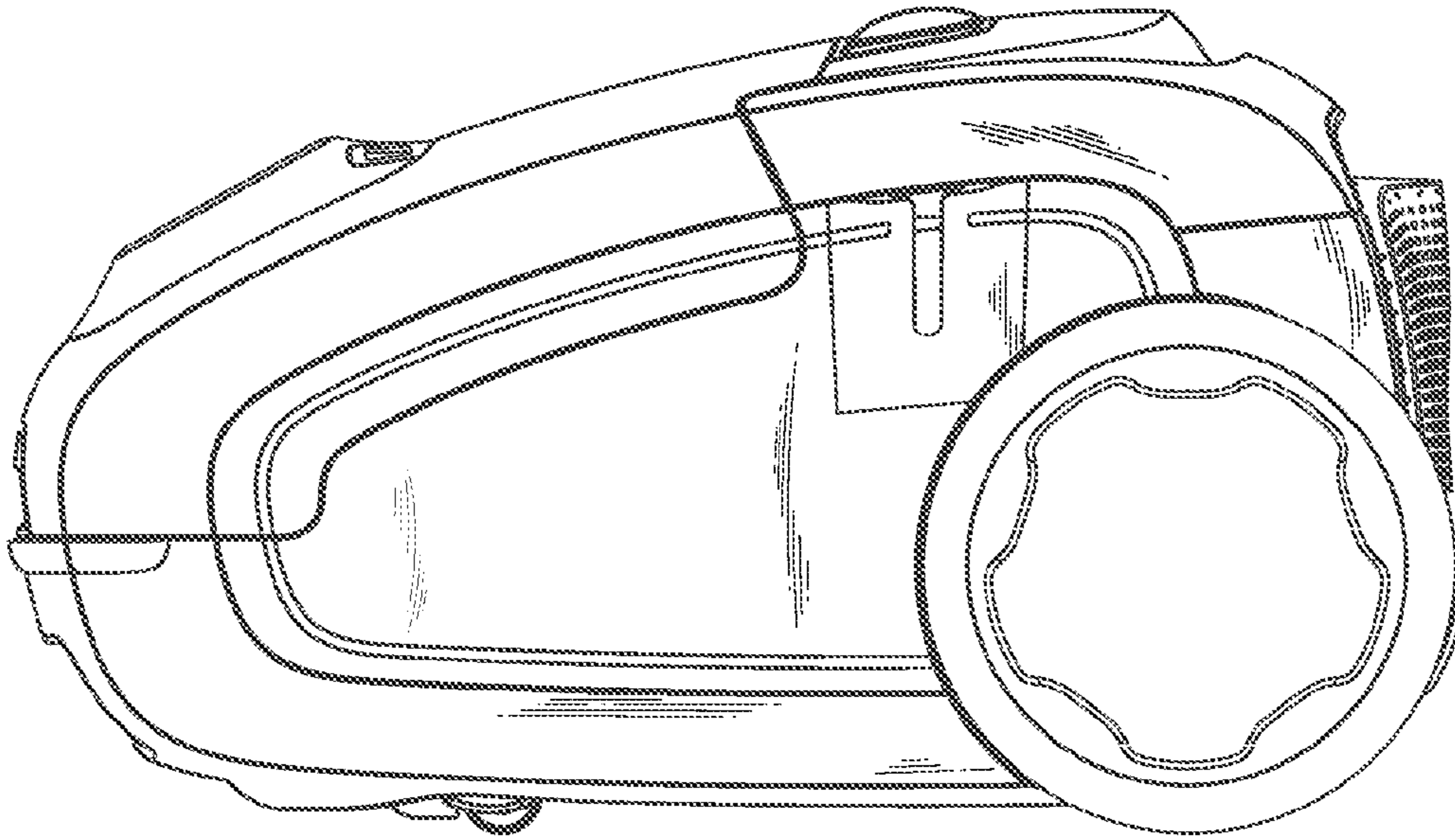


FIG. 2

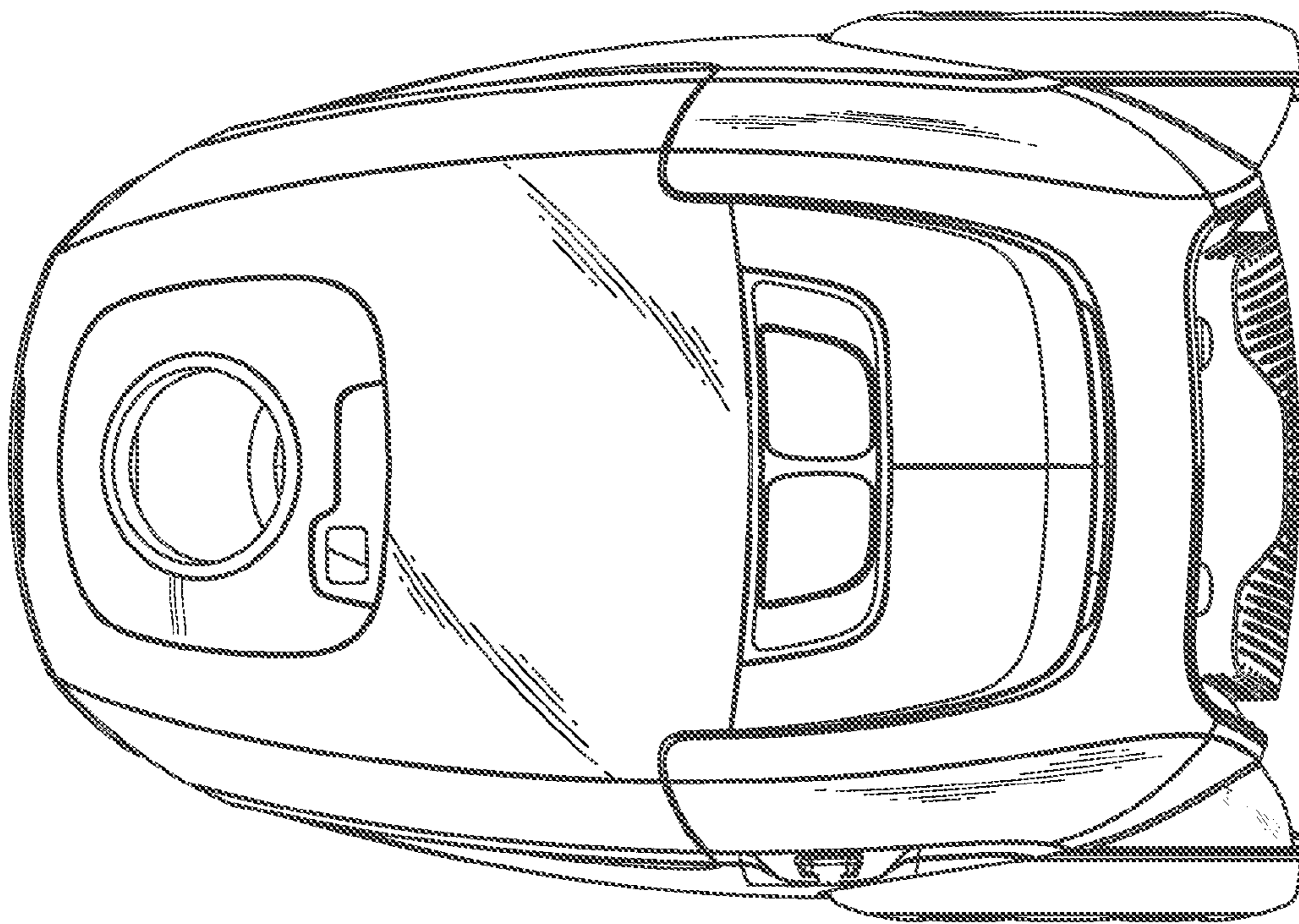


FIG. 3

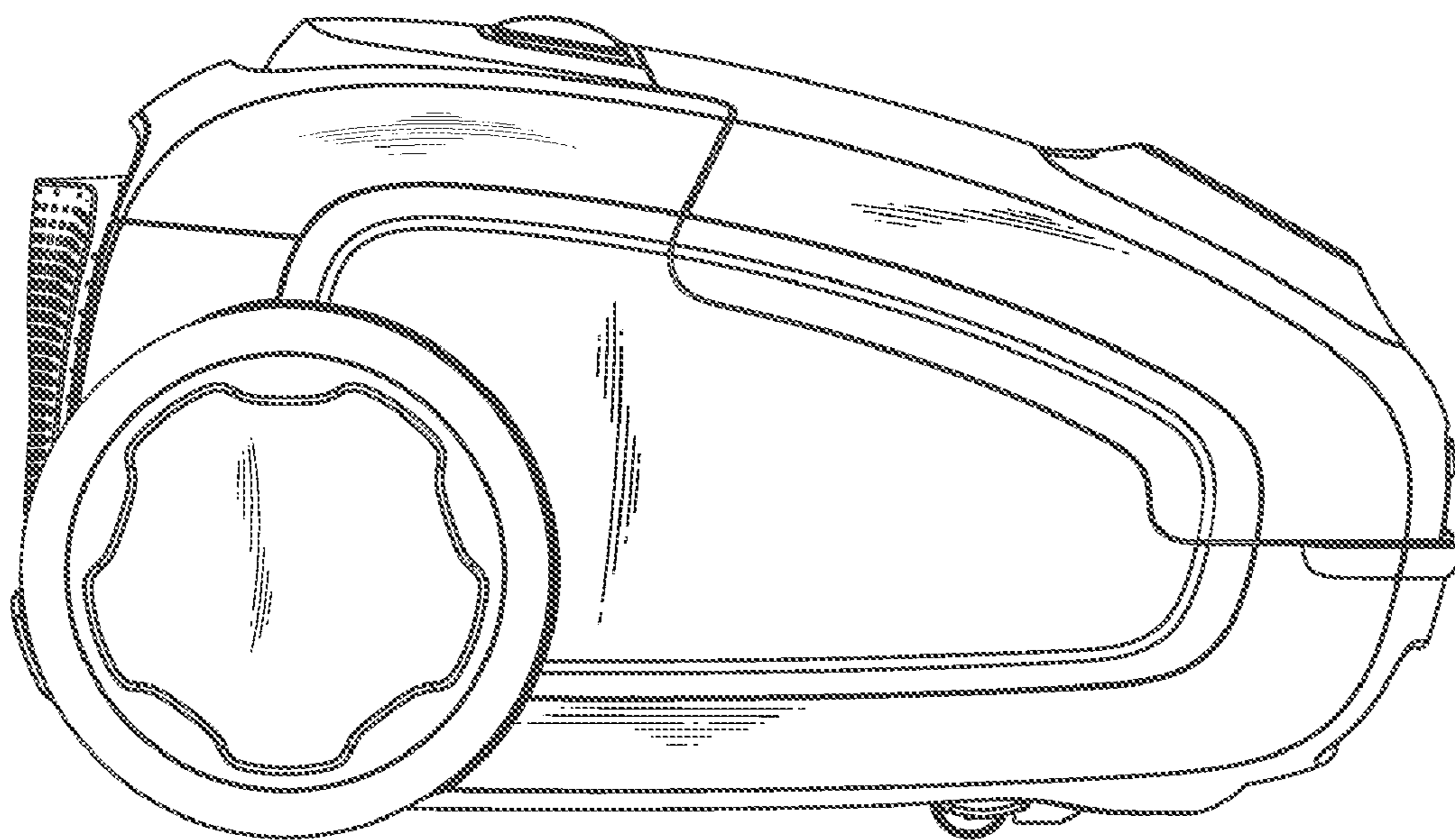


FIG. 4

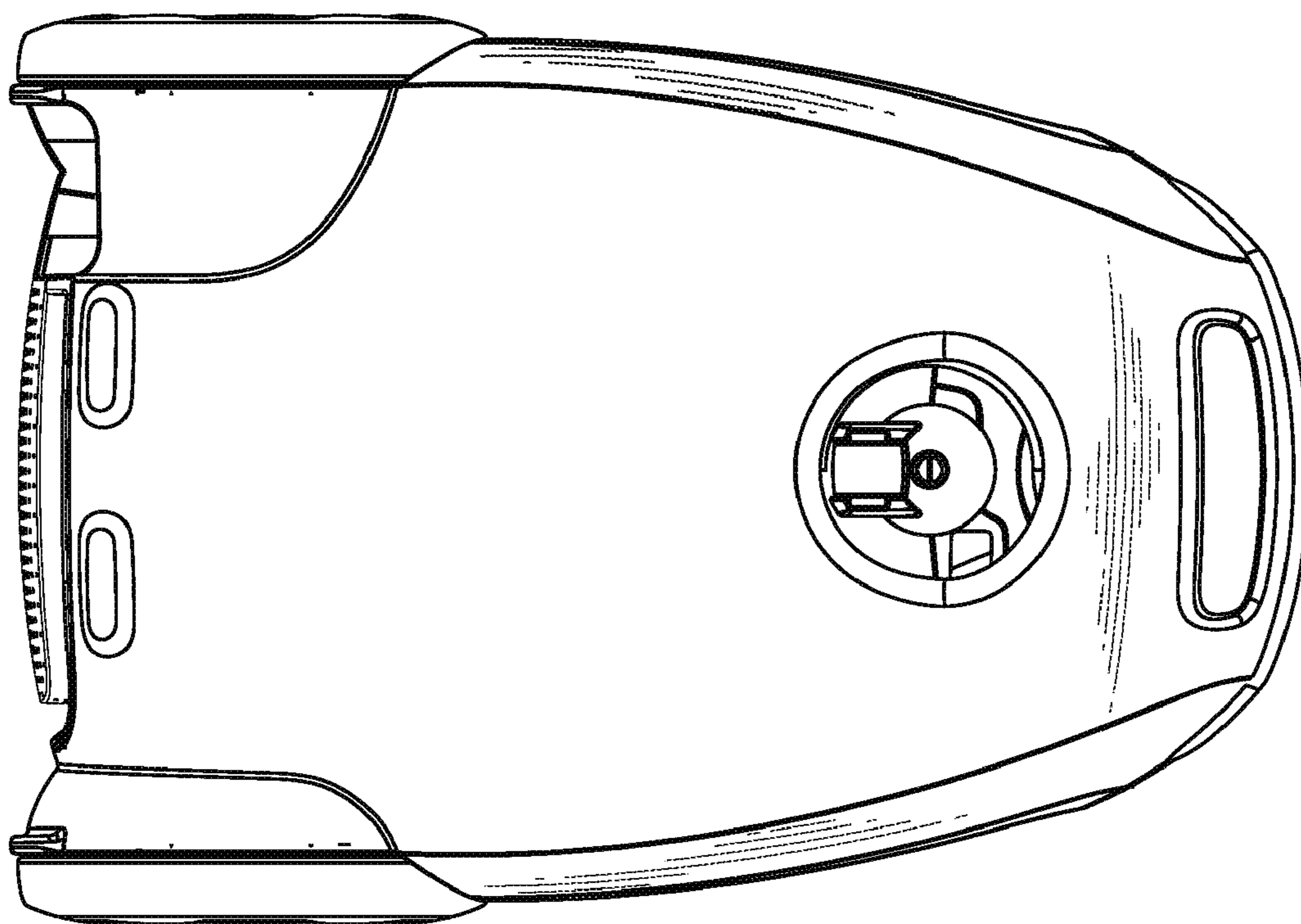


FIG. 5

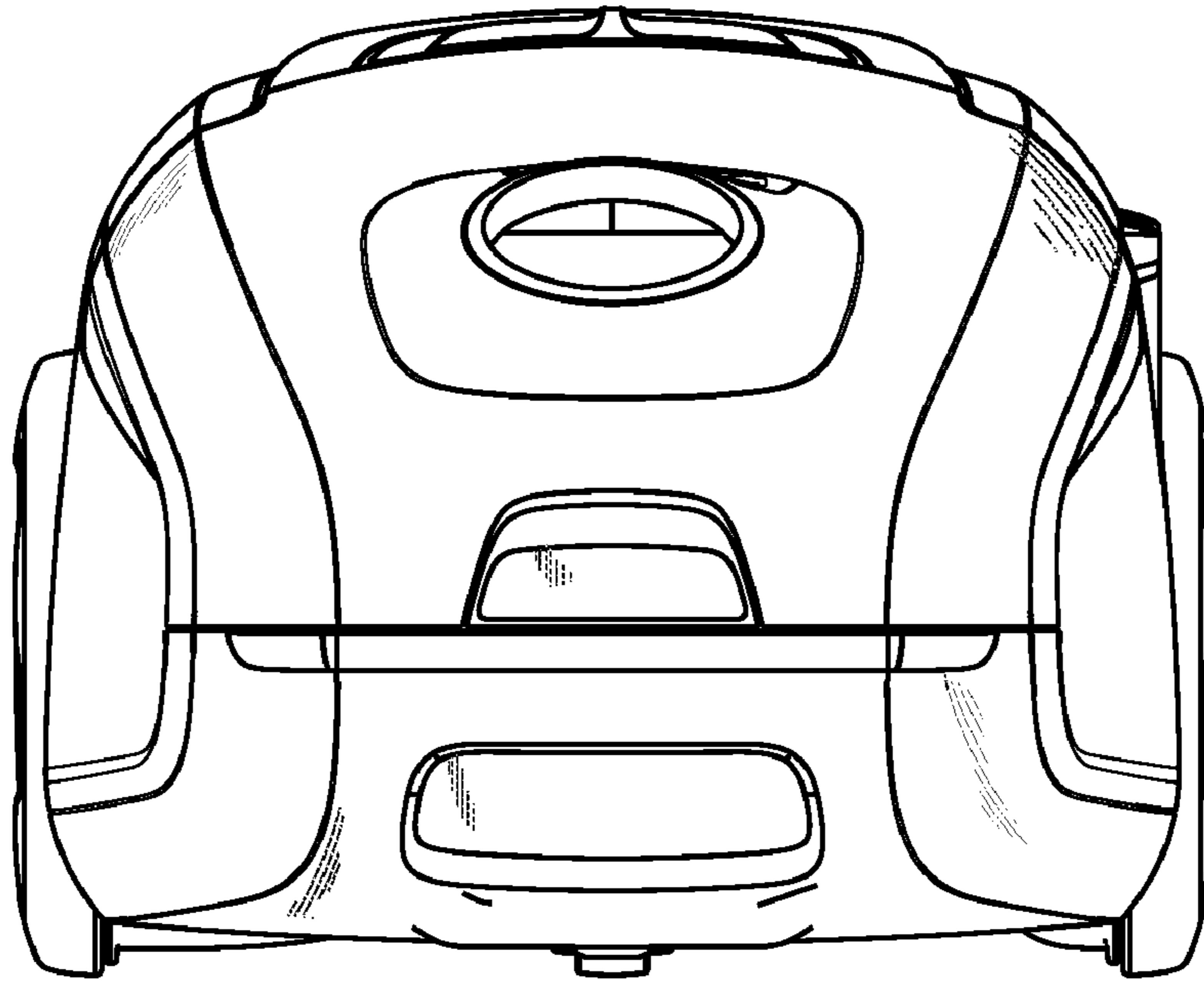


FIG. 6

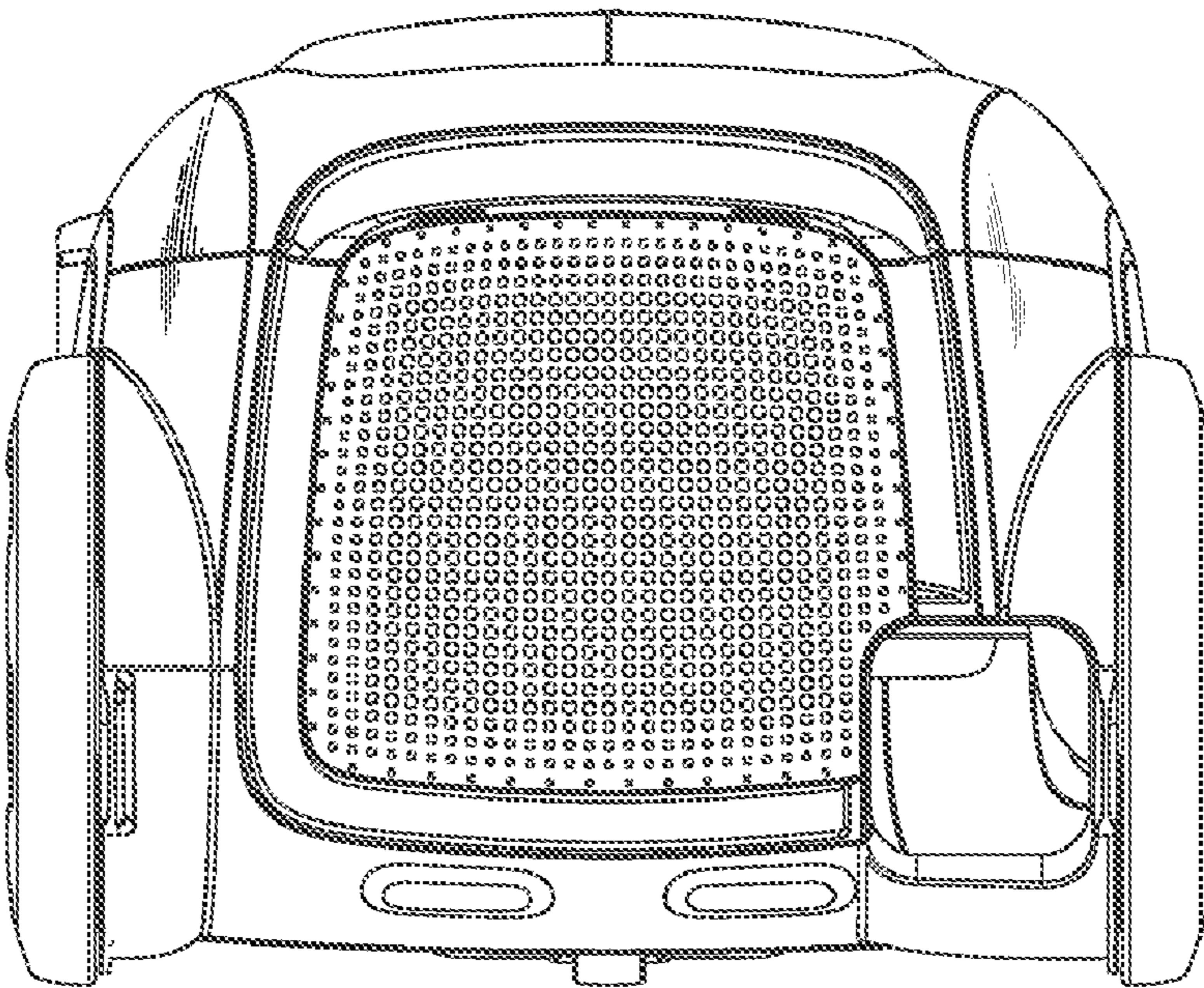


FIG. 7