



US00D626706S

(12) **United States Design Patent**  
**Ragonetti**

(10) **Patent No.:** **US D626,706 S**

(45) **Date of Patent:** **\*\* Nov. 2, 2010**

(54) **PET TOY**

(75) Inventor: **Peter Ragonetti**, Brooklyn, NY (US)

(73) Assignee: **J.W. Pet Company, Inc.**, Teterboro, NJ (US)

(\*\*) Term: **14 Years**

(21) Appl. No.: **29/360,770**

(22) Filed: **Apr. 30, 2010**

(51) **LOC (9) Cl.** ..... **30-99**

(52) **U.S. Cl.** ..... **D30/160**

(58) **Field of Classification Search** ..... D30/160,  
D30/199; D24/211, 214, 212; D21/681,  
D21/682; 482/108; 446/419, 490; 601/121,  
601/118-120, 131; D9/683; 119/702, 706-712  
See application file for complete search history.

(56) **References Cited**

**U.S. PATENT DOCUMENTS**

670,487 A	3/1901	Van Wagner	
D95,215 S *	4/1935	Barone et al. ....	D1/102
2,103,083 A	12/1937	Lynch	
2,644,890 A *	7/1953	Hollihan .....	250/462.1
3,104,648 A *	9/1963	Fisher .....	119/711
3,198,173 A	8/1965	Fisher	
3,548,814 A *	12/1970	Montgomery et al. ....	601/118
3,650,185 A *	3/1972	Takata .....	404/121
3,830,202 A	8/1974	Garrison	
D234,789 S	4/1975	Rosenberg	
D253,373 S	11/1979	Celeste	
D256,958 S	9/1980	Markham	
4,378,007 A	3/1983	Kachadourian	
4,585,416 A	4/1986	DeNiro et al.	
D285,117 S *	8/1986	Snyder .....	D24/211
4,802,444 A	2/1989	Markham et al.	
5,135,455 A *	8/1992	King et al. ....	482/108
D333,937 S	3/1993	Prosser	
D337,398 S	7/1993	Axelrod	
RE34,352 E	8/1993	Markham et al.	
D339,839 S *	9/1993	Day .....	D21/678
5,250,014 A *	10/1993	Chang .....	482/106
5,263,436 A	11/1993	Axelrod	

D344,591 S	2/1994	Zhuang	
D349,786 S	8/1994	Markham	
D357,952 S	5/1995	Chen	
D361,132 S *	8/1995	Lee .....	D24/200
D376,449 S	12/1996	Axelrod	
D380,879 S	7/1997	Hernandez	
5,647,302 A	7/1997	Shipp	

(Continued)

**FOREIGN PATENT DOCUMENTS**

GB 2 271 705 4/1994

(Continued)

**OTHER PUBLICATIONS**

“Fetch and Flash Bone”—Home Pet Shop catalogue Apr. 2000, p. 67—1 page total.\*

(Continued)

*Primary Examiner*—Susan Moon Lee

(74) *Attorney, Agent, or Firm*—Katten Muchin Rosenman LLP

(57) **CLAIM**

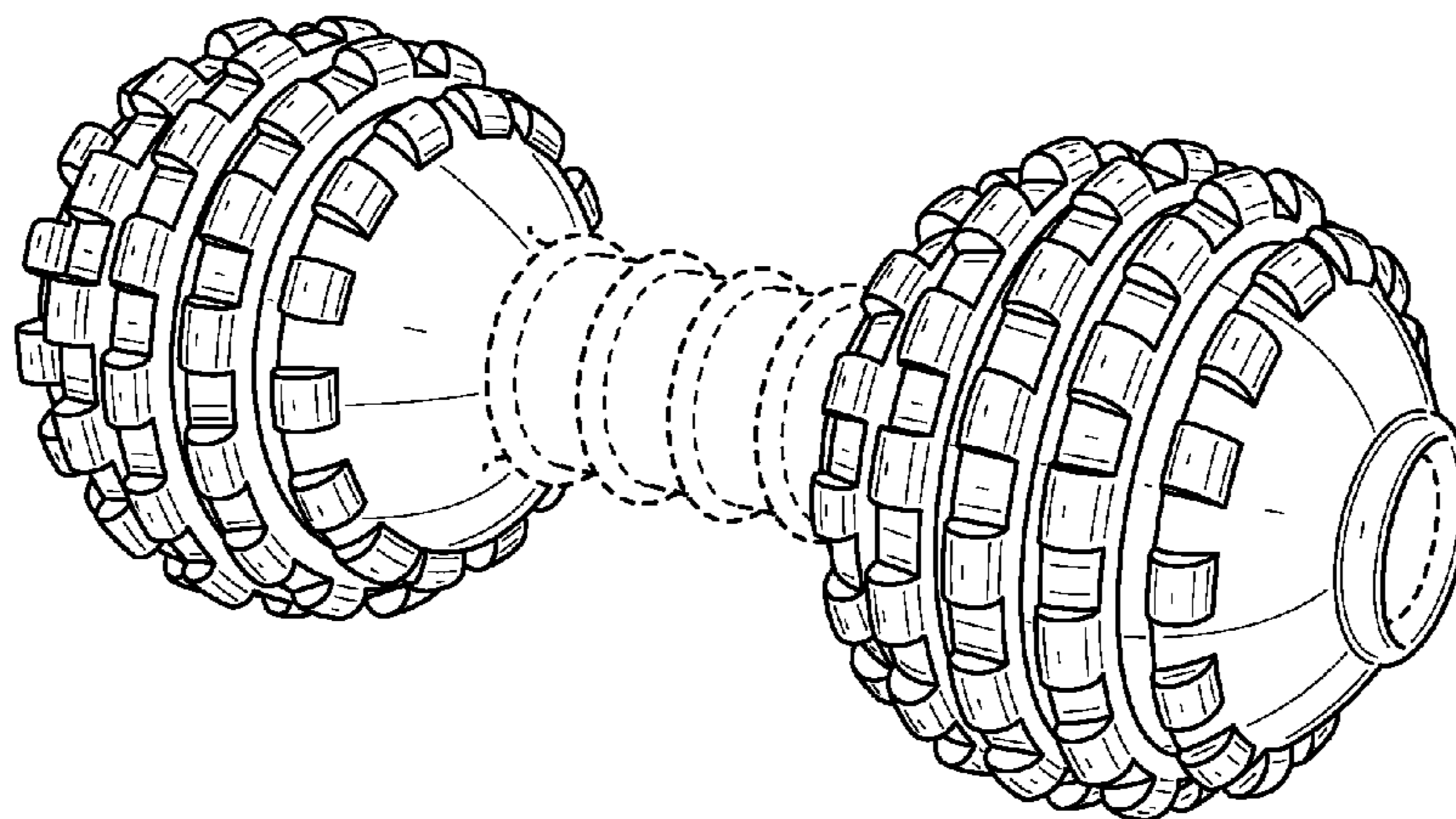
The ornamental design for a pet toy, as shown and described.

**DESCRIPTION**

FIG. 1 is a perspective view of the pet toy,  
FIG. 2 is a front view thereof;  
FIG. 3 is a rear view thereof;  
FIG. 4 is a left side view thereof;  
FIG. 5 is a right side view thereof;  
FIG. 6 is a top view thereof; and  
FIG. 7 is a bottom view thereof.

The broken line portions are not claimed. Furthermore, the boundary line of the unclaimed portion of the midsection runs up to the edge of the shade lines on the claimed left and right round elements.

**1 Claim, 4 Drawing Sheets**



# US D626,706 S

Page 2

## U.S. PATENT DOCUMENTS

D382,382 S 8/1997 Weinacker, Jr.  
D387,816 S \* 12/1997 Krull ..... D21/406  
D399,569 S 10/1998 Wier et al.  
5,865,146 A \* 2/1999 Markham ..... 119/707  
D407,868 S 4/1999 Axelrod  
D412,767 S 8/1999 Bemis et al.  
D415,803 S \* 10/1999 Cousins ..... D21/681  
D418,639 S 1/2000 Simon  
D427,389 S 6/2000 Baiera et al.  
D427,390 S 6/2000 Gill  
D427,391 S 6/2000 Gill  
D431,886 S 10/2000 Owens  
D432,741 S 10/2000 Owens  
D435,660 S 12/2000 Yoo  
6,158,391 A \* 12/2000 Simonetti ..... 119/707  
6,186,096 B1 \* 2/2001 Miller ..... 119/709  
D451,651 S 12/2001 Kaplan  
D453,242 S 1/2002 Kaplan  
D453,400 S 2/2002 Kaplan  
6,439,166 B1 8/2002 Markham  
D462,487 S 9/2002 Axelrod  
D473,683 S 4/2003 Willinger  
D478,947 S 8/2003 Lu  
6,688,258 B1 2/2004 Kolesar  
D489,102 S \* 4/2004 Chen ..... D21/681  
D497,457 S 10/2004 Willinger  
D504,748 S \* 5/2005 Jager ..... D30/160  
D533,688 S \* 12/2006 Jager ..... D30/160  
D538,359 S \* 3/2007 Yordinsky ..... D21/681  
D540,894 S \* 4/2007 Crawford et al. .... D21/681  
7,223,251 B1 \* 5/2007 Cassidy Phillips ..... 601/118

RE40,430 E \* 7/2008 Markham ..... 119/707  
D587,411 S \* 2/2009 Rezny ..... D30/160  
D587,862 S \* 3/2009 Rutherford ..... D30/160  
7,549,952 B2 \* 6/2009 Towley et al. .... 482/108  
7,600,488 B2 \* 10/2009 Mann ..... 119/710  
7,604,578 B2 \* 10/2009 Liu ..... 482/108  
7,614,982 B2 \* 11/2009 Crawford et al. .... 482/107  
D610,636 S \* 2/2010 Golesh et al. .... D21/681  
7,704,197 B2 \* 4/2010 Yu ..... 482/108  
2003/0079693 A1 \* 5/2003 Jager ..... 119/707  
2004/0244719 A1 \* 12/2004 Jager ..... 119/709  
2007/0225132 A1 \* 9/2007 Liu ..... 482/106  
2007/0254785 A1 \* 11/2007 Lin ..... 482/108  
2008/0026921 A1 \* 1/2008 Liu ..... 482/107  
2008/0039299 A1 \* 2/2008 Crawford et al. .... 482/107  
2009/0042700 A1 \* 2/2009 Liu ..... 482/107  
2009/0124470 A1 \* 5/2009 Yu ..... 482/107  
2009/0186748 A1 \* 7/2009 Golesh et al. .... 482/107  
2009/0203506 A1 \* 8/2009 Kessler et al. .... 482/108  
2010/0035736 A1 \* 2/2010 Crawford et al. .... 482/107

## FOREIGN PATENT DOCUMENTS

NL 7810061 4/1979

## OTHER PUBLICATIONS

“Waggle Rubber Dumbbell”—JB Wholesale Pet Supply catalogue  
Jan. 2006, p. 92—1 page total.\*  
United States Office Action dated Mar. 11, 2004, from corresponding  
U.S. Appl. No. 29/173,764, now U.S. Patent D497,457.  
Sternco; Delta Products catalog; Jul. 6, 1971, p. 11; #157—Dumbell  
(Scented) Rubber Toy.

\* cited by examiner

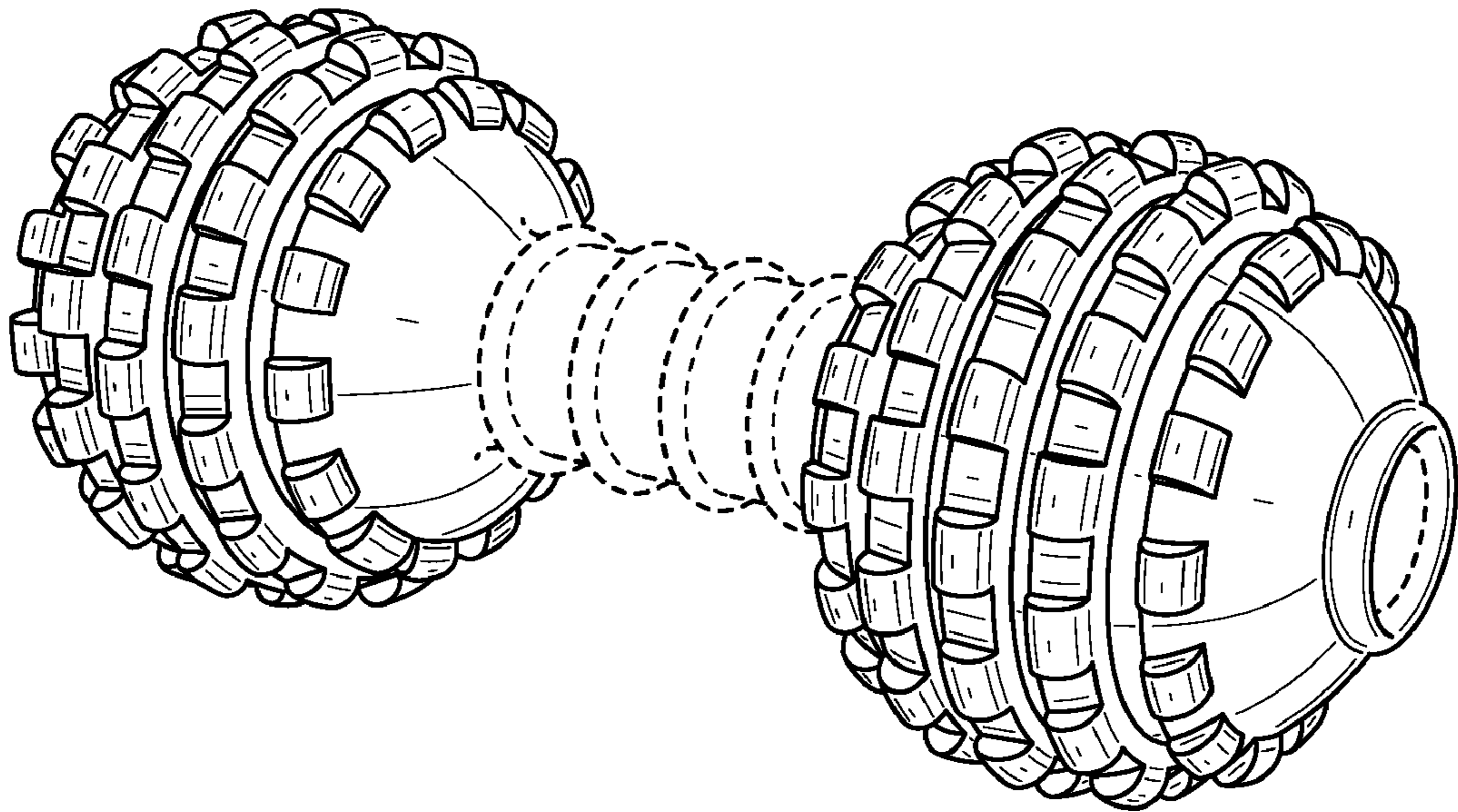


FIG. 1

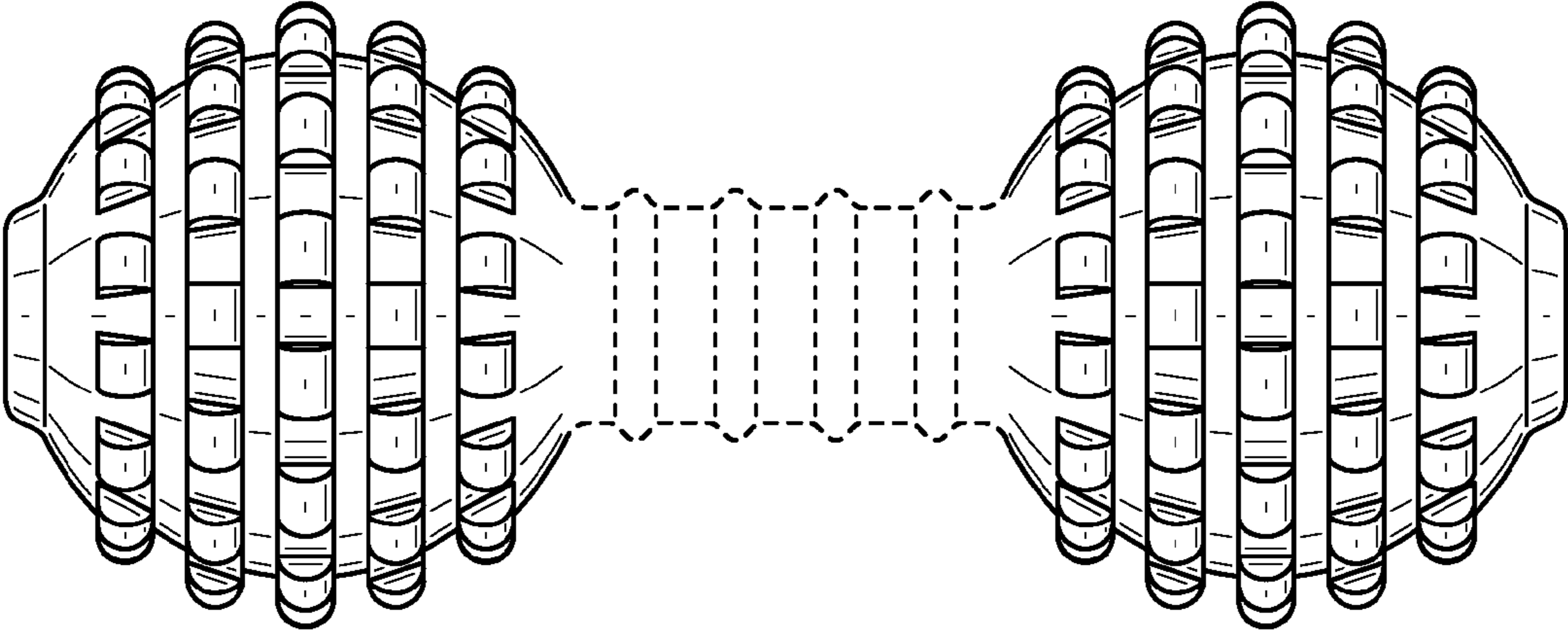


FIG. 2

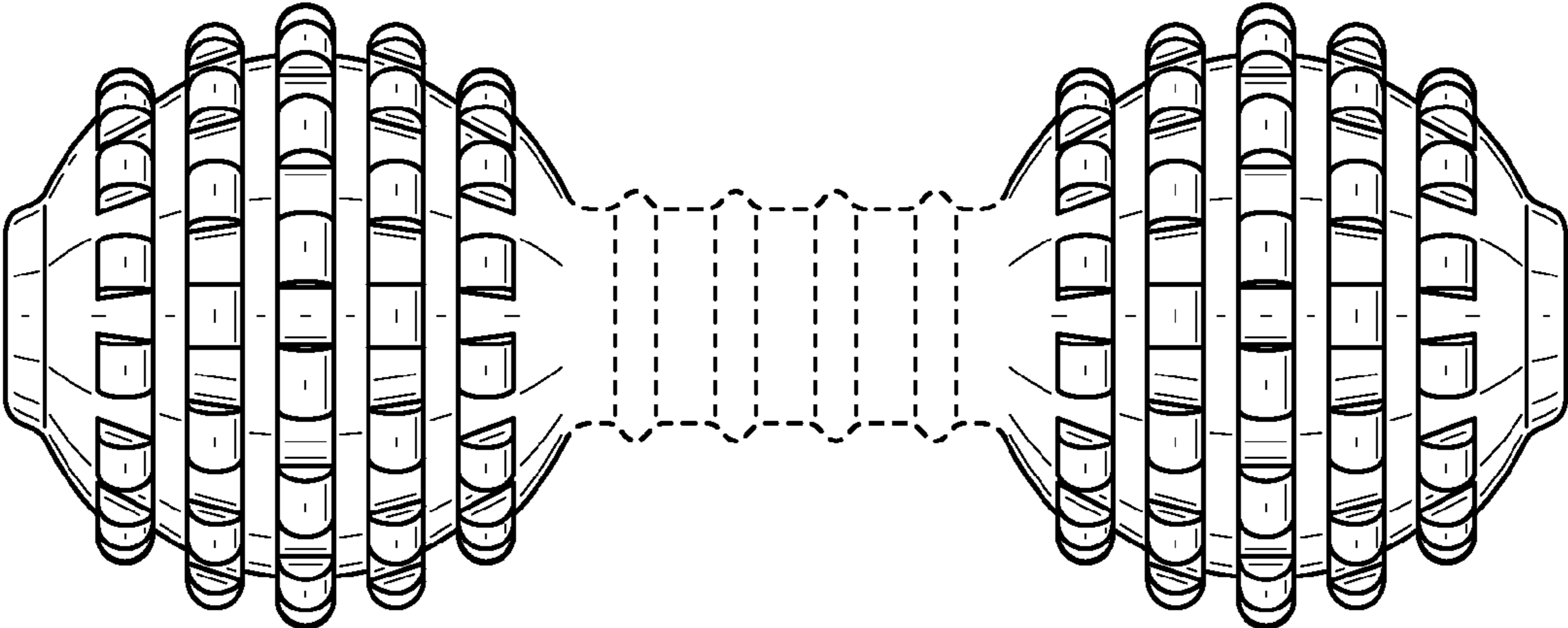


FIG. 3

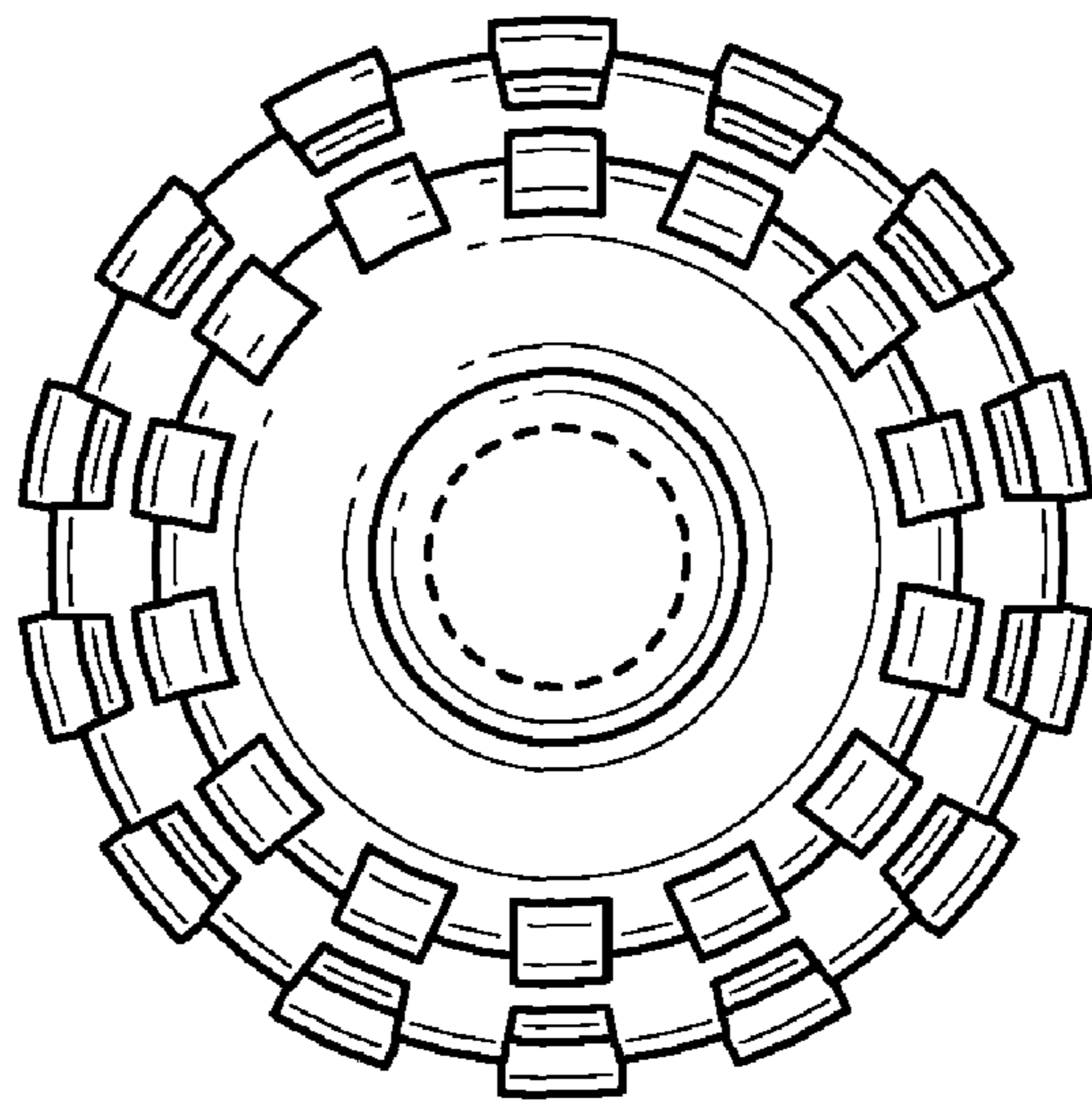


FIG. 4

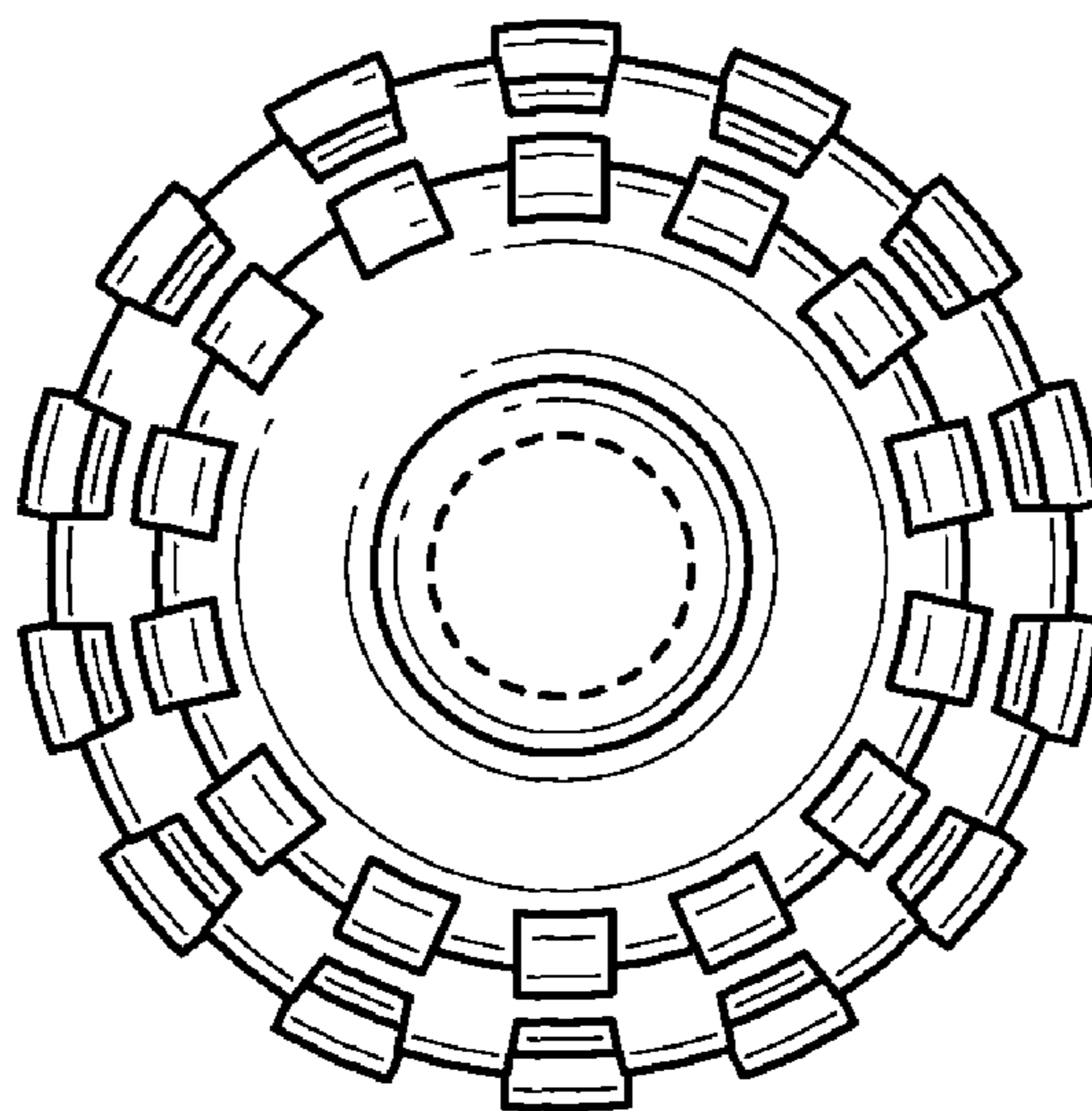


FIG. 5

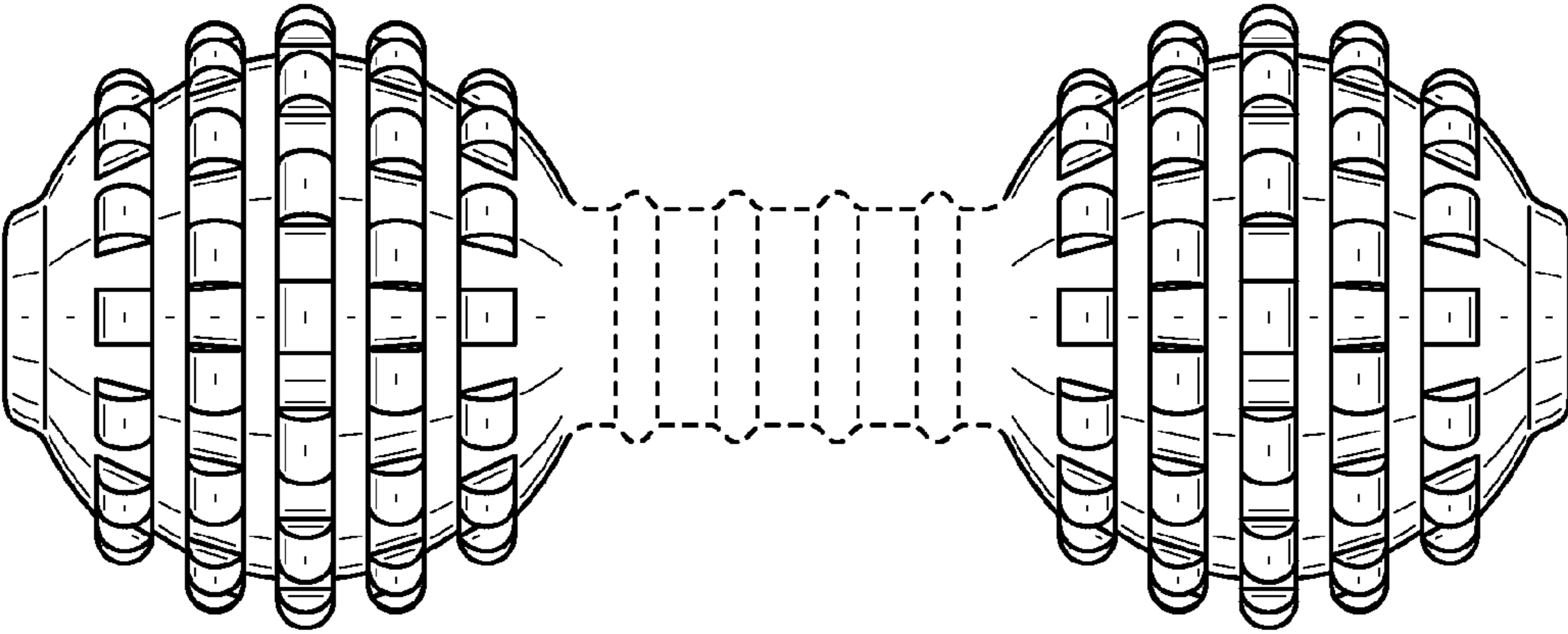


FIG. 6

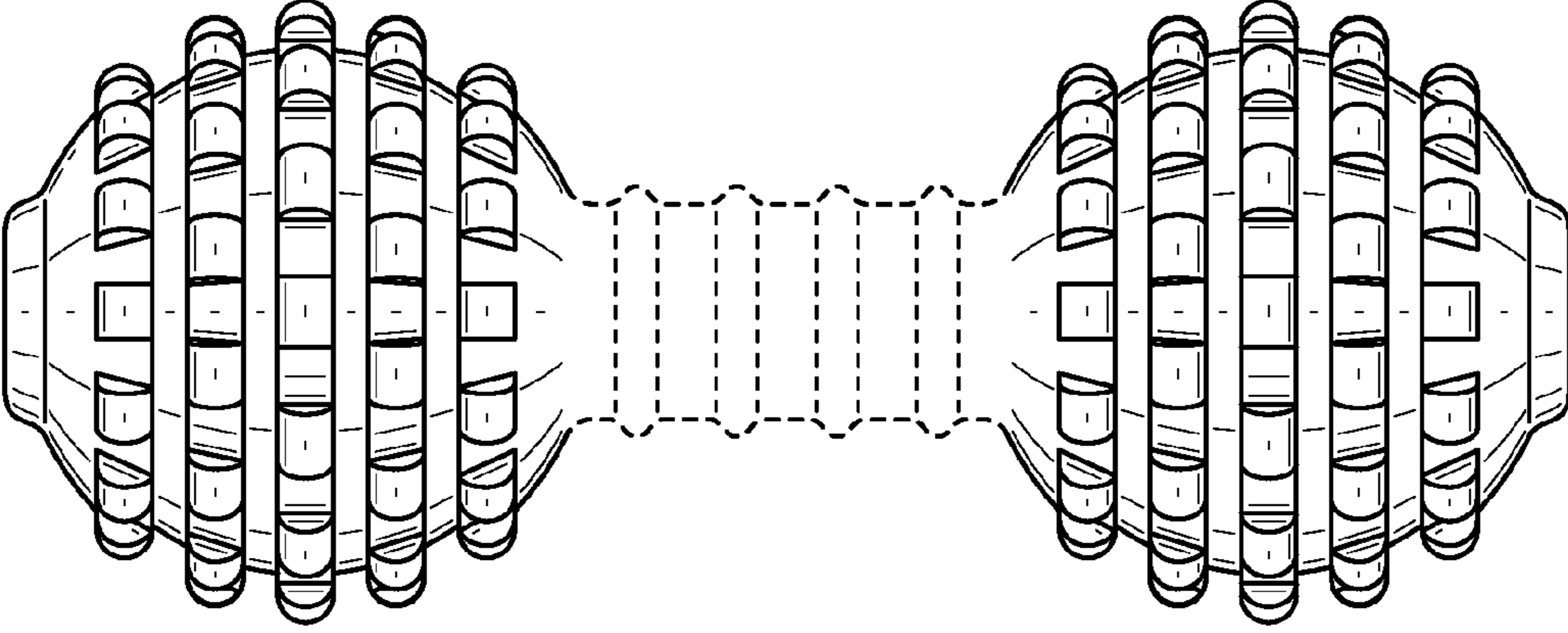


FIG. 7

UNITED STATES PATENT AND TRADEMARK OFFICE  
**CERTIFICATE OF CORRECTION**

PATENT NO. : D626,706 S  
APPLICATION NO. : 29/360770  
DATED : November 2, 2010  
INVENTOR(S) : Peter Ragonetti

Page 1 of 1

It is certified that error appears in the above-identified patent and that said Letters Patent is hereby corrected as shown below:

Title page add item

-- (60) Related U.S. Application Data

Division of application No. 29/354,995, filed on Feb. 1, 2010, now Pat. No. D626,705 S. --

Signed and Sealed this  
Ninth Day of August, 2011

A handwritten signature in black ink that reads "David J. Kappos". The signature is written in a cursive style with a large initial "D".

David J. Kappos  
*Director of the United States Patent and Trademark Office*