



US00D626702S

(12) **United States Design Patent**
Sacher

(10) **Patent No.:** **US D626,702 S**
(45) **Date of Patent:** **** Nov. 2, 2010**

(54) **CAT BED**

(76) **Inventor:** **Sandra Elizabeth Sacher**, P.O. Box
204, Mooresburg, TN (US) 37811

(**) **Term:** **14 Years**

(21) **Appl. No.:** **29/345,447**

(22) **Filed:** **Oct. 15, 2009**

(51) **LOC (9) Cl.** **30-06**

(52) **U.S. Cl.** **D30/118**

(58) **Field of Classification Search** D30/118;
D6/388, 390, 595-597, 601, 604-605, 349;
119/28.5, 169, 702, 707; D21/814, 826,
D21/836; D2/719

See application file for complete search history.

(56) **References Cited**

U.S. PATENT DOCUMENTS

2,032,248	A *	2/1936	Bins	119/28.5
D224,685	S *	8/1972	Michlap	119/28.5
D224,792	S *	9/1972	Knox	D30/118
3,842,454	A	10/1974	Young	
3,989,008	A	11/1976	Neumann	
4,008,687	A	2/1977	Keys	
4,347,807	A *	9/1982	Reich	119/706
4,729,343	A *	3/1988	Evans	119/28.5
D309,046	S *	7/1990	Andersen	D30/112
D314,644	S	2/1991	Kosharek et al.	
5,000,116	A *	3/1991	Fife et al.	119/28.5
5,010,843	A	4/1991	Henry	
D319,271	S	8/1991	Senitt	
5,072,694	A *	12/1991	Haynes et al.	119/28.5
5,188,063	A *	2/1993	Evans	119/28.5
5,282,439	A *	2/1994	Oaks	119/28.5

D390,686	S *	2/1998	Grabowski	D2/719
5,749,314	A	5/1998	Pelham et al.	
D406,923	S	3/1999	Simpkins	
D427,747	S *	7/2000	Bentley	D30/118
D443,116	S *	5/2001	Badler	D30/118
6,557,494	B2 *	5/2003	Pontes	119/707
D486,966	S *	2/2004	Steendyk	D6/349
D522,183	S *	5/2006	Wylie	D30/118
D529,237	S *	9/2006	Piagentini	D30/118
D537,574	S *	2/2007	Holmes et al.	D30/118
D607,610	S *	1/2010	Higashi et al.	D30/118
7,712,437	B2 *	5/2010	Leung	119/28.5
7,765,952	B1 *	8/2010	Archibald	119/28.5
2007/0051323	A1 *	3/2007	Guard	119/28.5

* cited by examiner

Primary Examiner—Cathy Anne MacCormac

(74) *Attorney, Agent, or Firm*—James Addison Barry, Jr.

(57) **CLAIM**

The ornamental design for a cat bed, as shown and described.

DESCRIPTION

FIG. 1 is a top view of the cat bed showing the new design;

FIG. 2 is a front view of the cat bed;

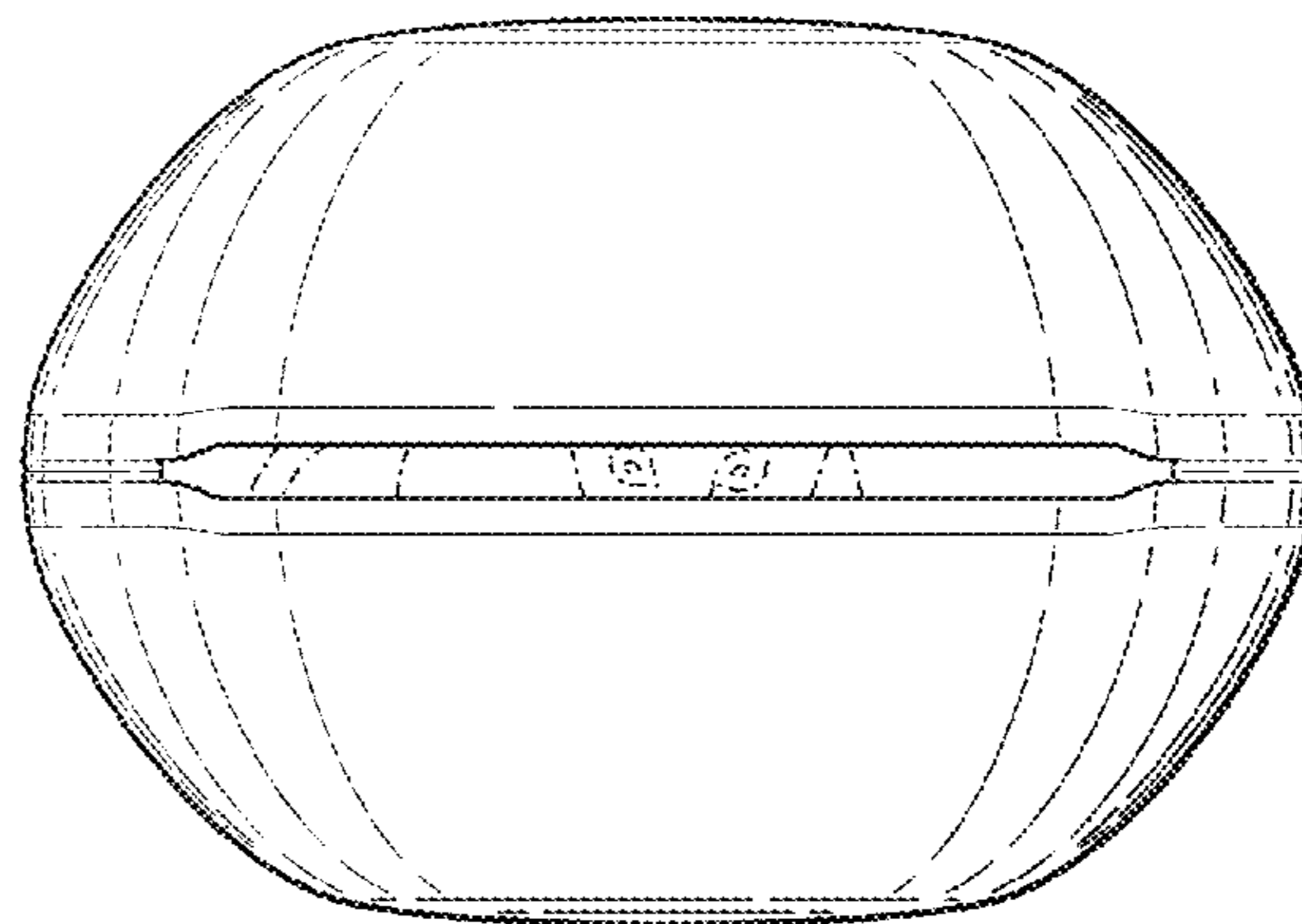
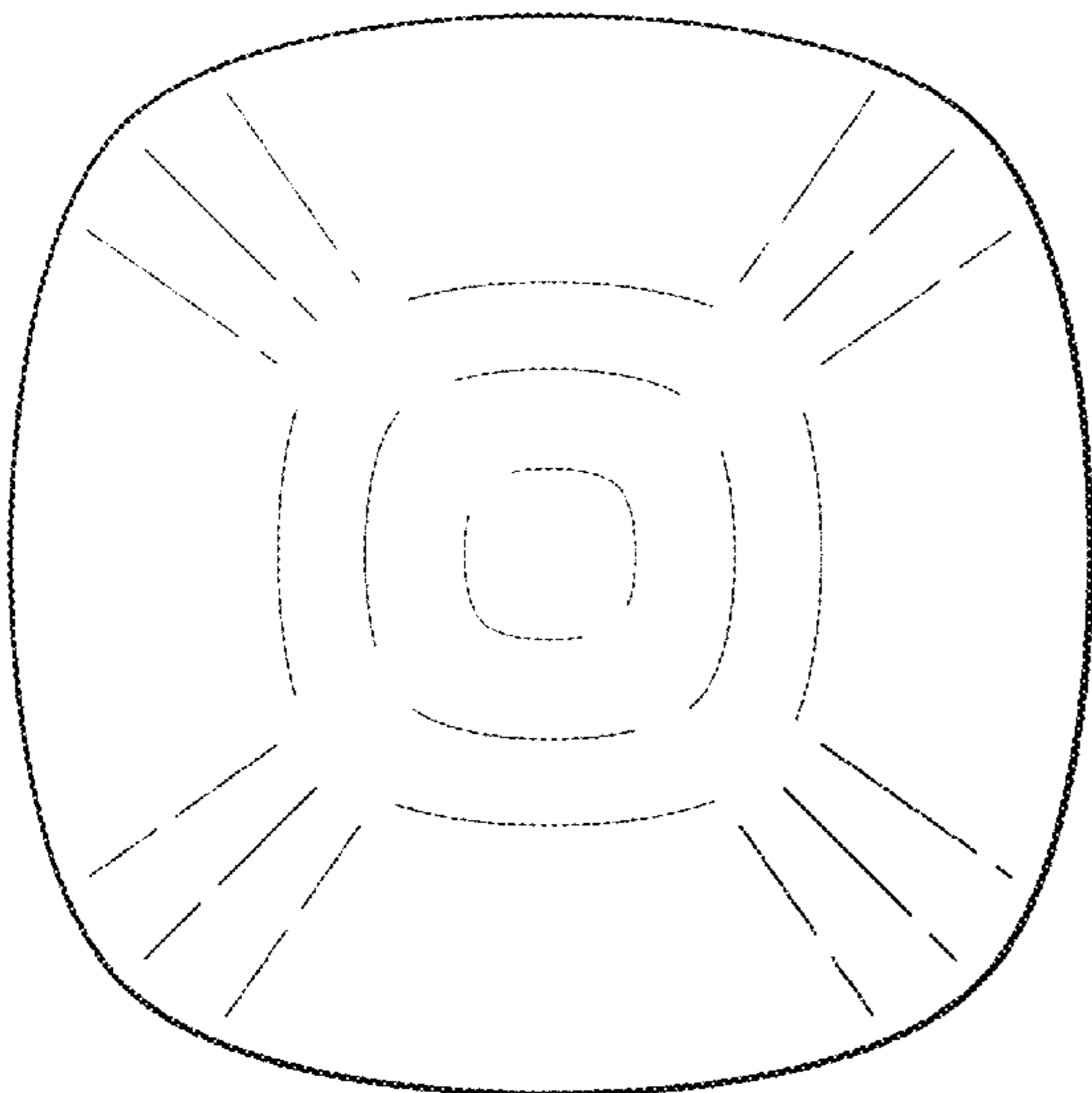
FIG. 3 is another front view of the cat bed in an alternate-position;

FIG. 4 is a left side view of the cat bed, the right side being a mirror image of the left side shown; and,

FIG. 5 is a back view of the cat bed.

The cat shown in broken lines in FIGS. 2 and 3 is for illustration only and forms no part of the claimed design.

1 Claim, 2 Drawing Sheets



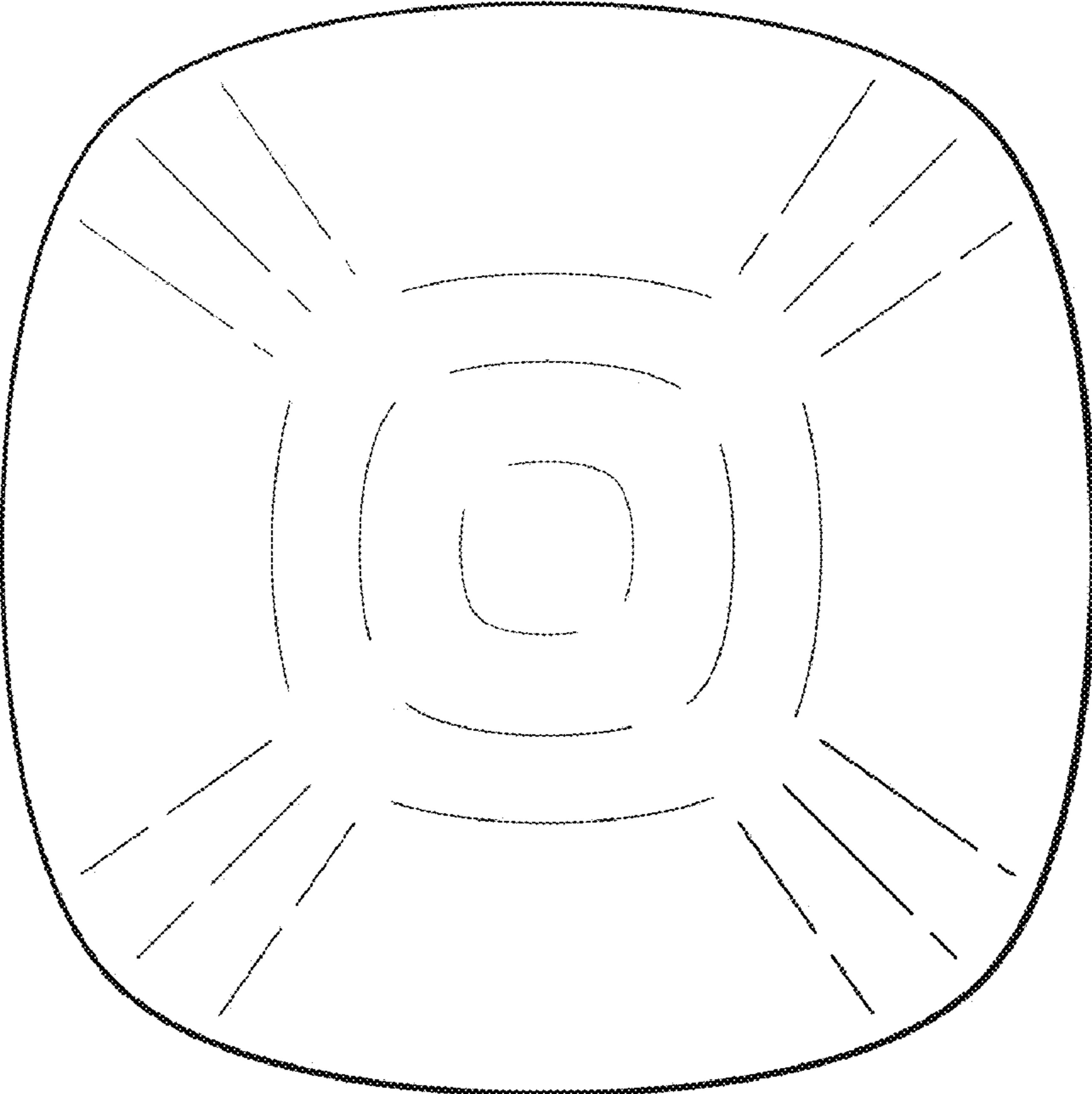


FIG. 1

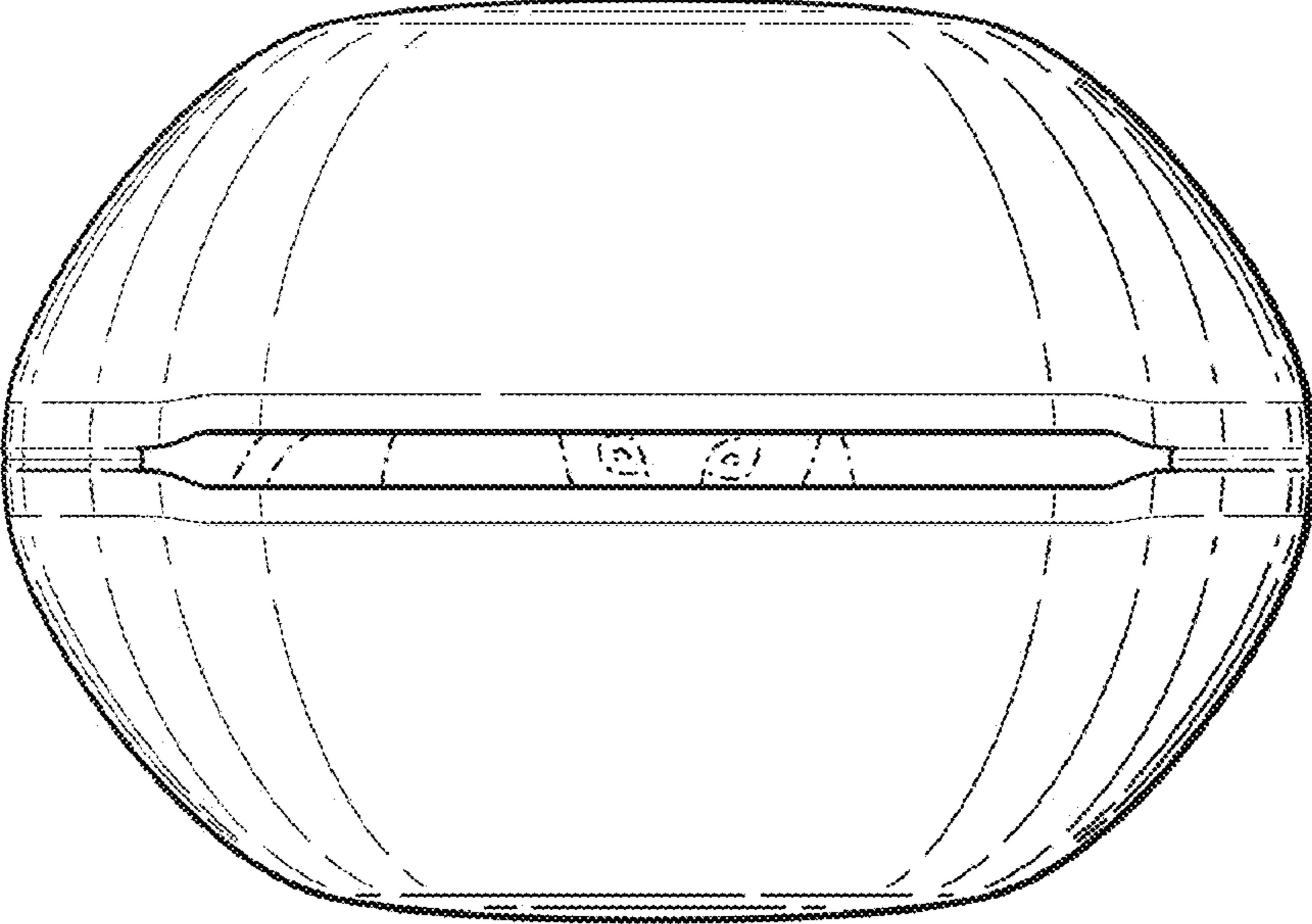


FIG. 2

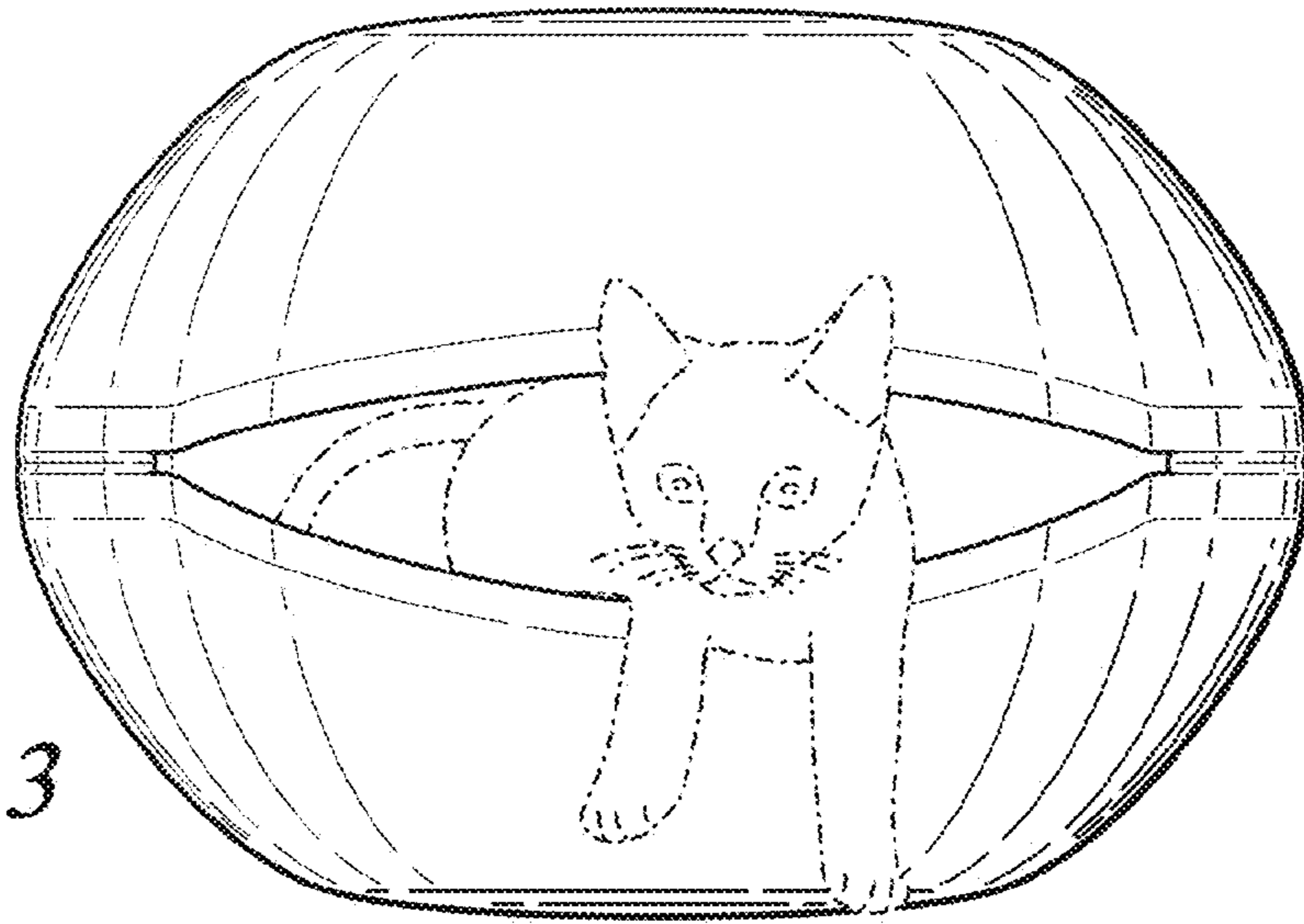


FIG. 3

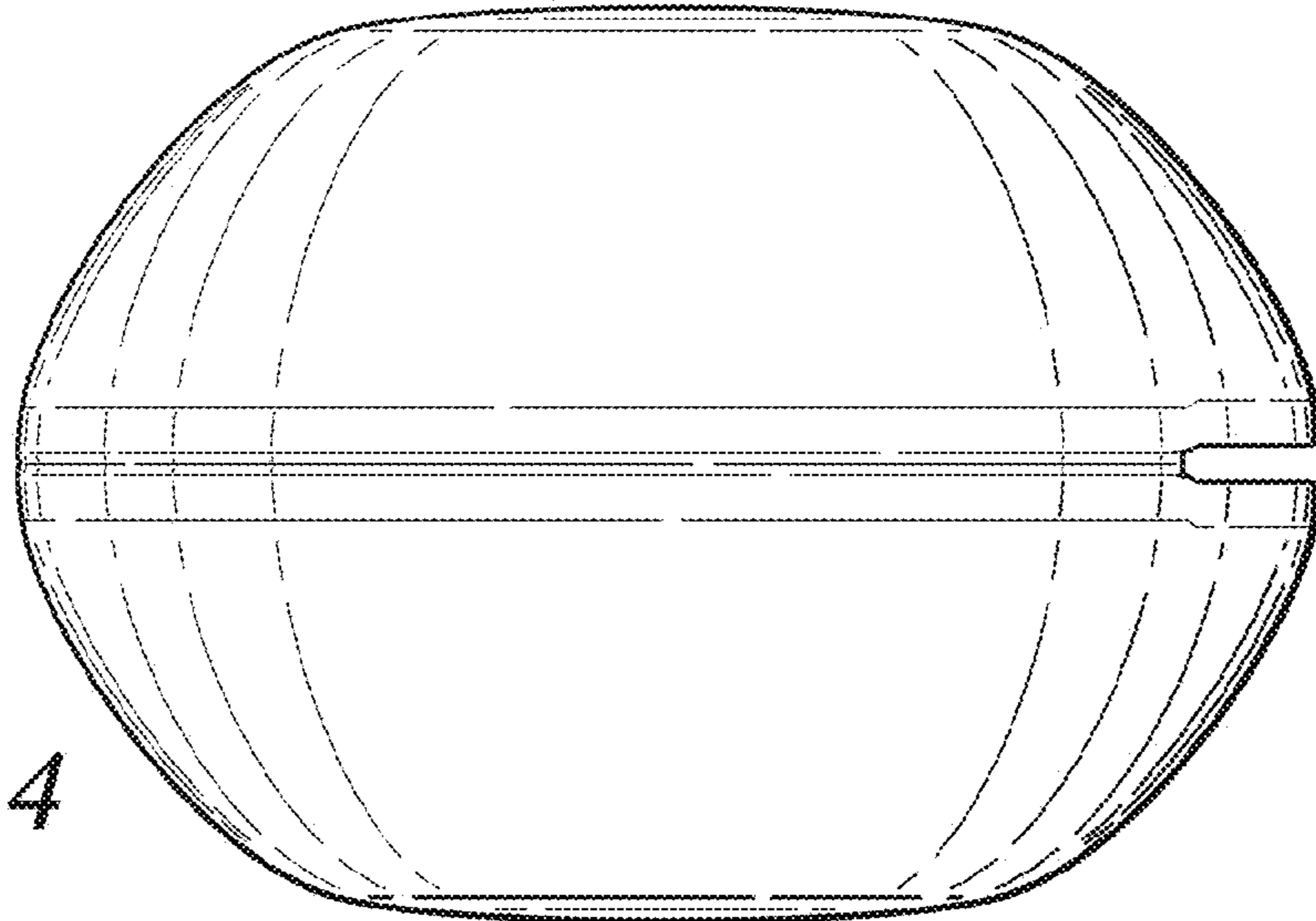


FIG. 4

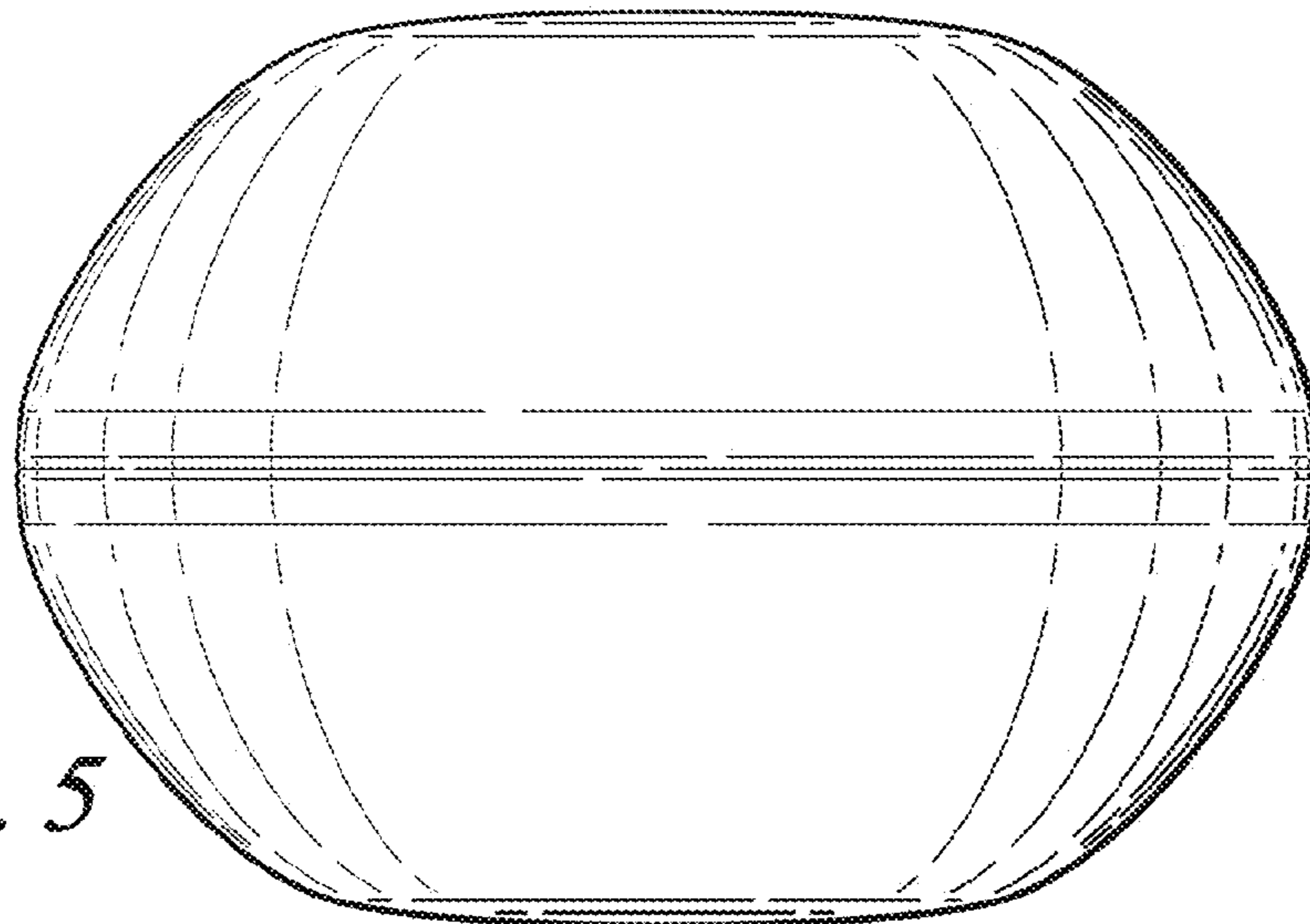


FIG. 5