



US00D626699S

(12) **United States Design Patent**
Tang

(10) **Patent No.:** **US D626,699 S**

(45) **Date of Patent:** **** Nov. 2, 2010**

(54) **BIRD HOUSE**

5,479,877 A * 1/1996 Demboske 119/428
5,803,018 A * 9/1998 Liou 119/474

(76) Inventor: **Jack Tang**, 1F, No. 7, Alley 27, Lane
247, Chung Cheng Rd., Hsin Tien City,
Taipei Hsien (TW)

* cited by examiner

Primary Examiner—Cathy Anne MacCormac
(74) *Attorney, Agent, or Firm*—Bacon & Thomas, PLLC

(**) Term: **14 Years**

(21) Appl. No.: **29/347,780**

(57) **CLAIM**

(22) Filed: **Jun. 2, 2010**

The ornamental design for a bird house, as shown.

(51) **LOC (9) Cl.** **30-02**

(52) **U.S. Cl.** **D30/110**

(58) **Field of Classification Search** D30/110–111,
D30/124–128; 119/421, 427–431, 433, 435,
119/452–453, 472, 474, 482, 496–498, 500–501
See application file for complete search history.

DESCRIPTION

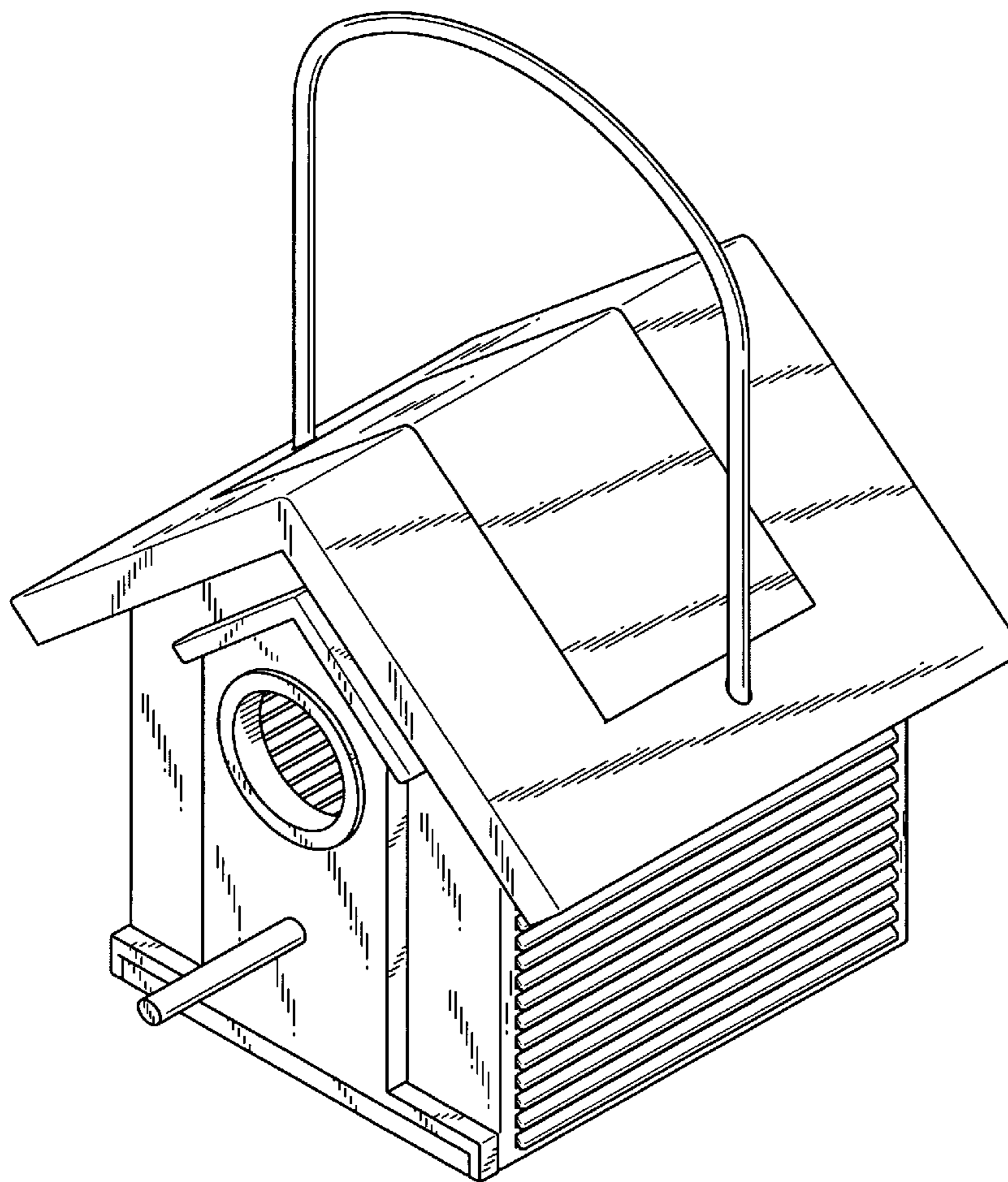
FIG. 1 shows a perspective view of the present design;
FIG. 2 shows a front elevational view of the present design;
FIG. 3 shows a rear elevational view of the present design;
FIG. 4 shows a left side elevational view of the present design;
FIG. 5 shows a right side elevational view of the present design;
FIG. 6 shows a top plan view of the present design; and,
FIG. 7 shows a bottom plan view of the present design.

(56) **References Cited**

U.S. PATENT DOCUMENTS

D100,564 S * 7/1936 Klein D30/111
2,230,305 A * 2/1941 Mallgraf 119/431
D163,666 S * 6/1951 Worden D30/110
D215,855 S * 11/1969 Henreid D30/111
D269,468 S * 6/1983 Babcock et al. D30/110

1 Claim, 7 Drawing Sheets



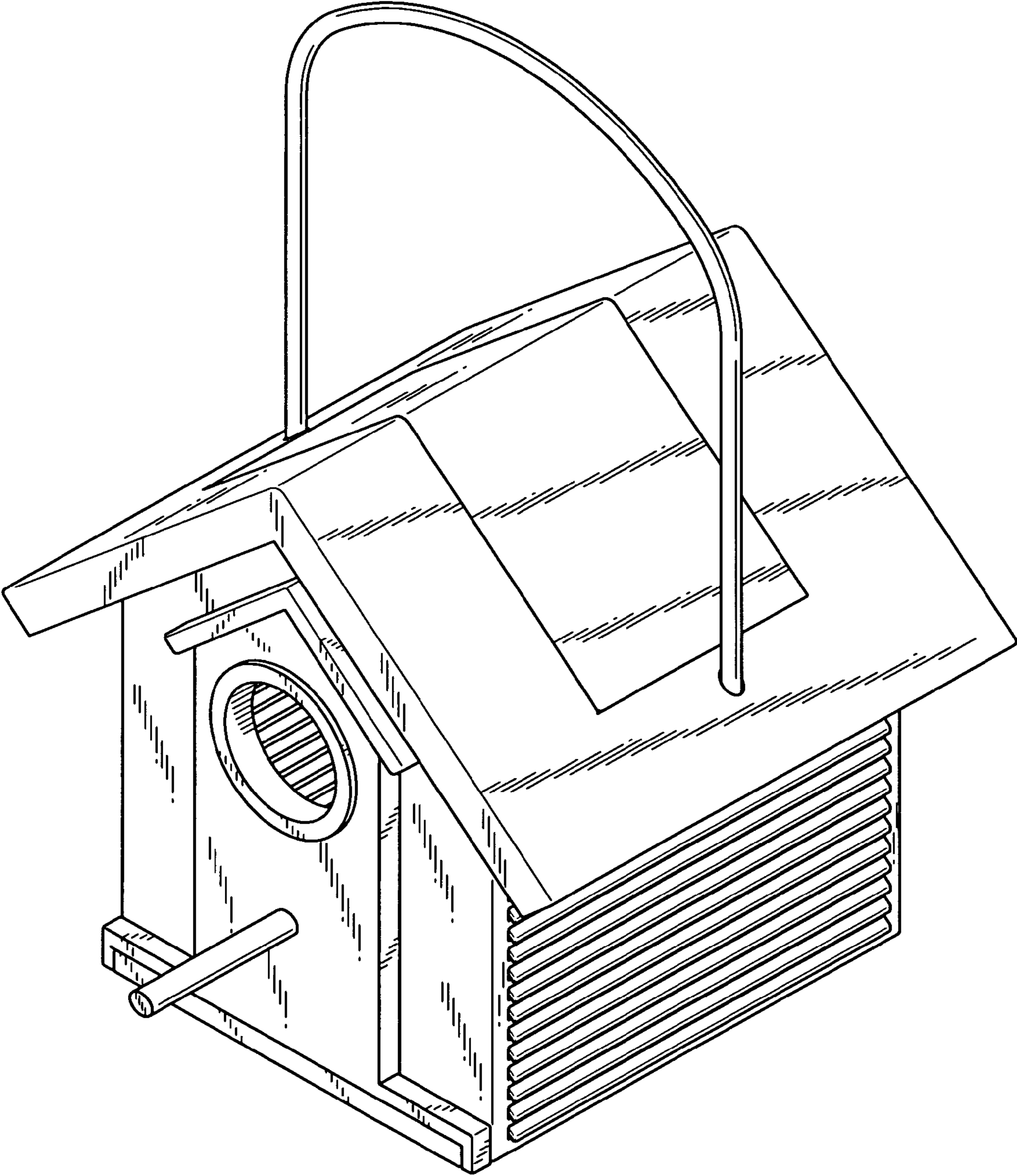


FIG. 1

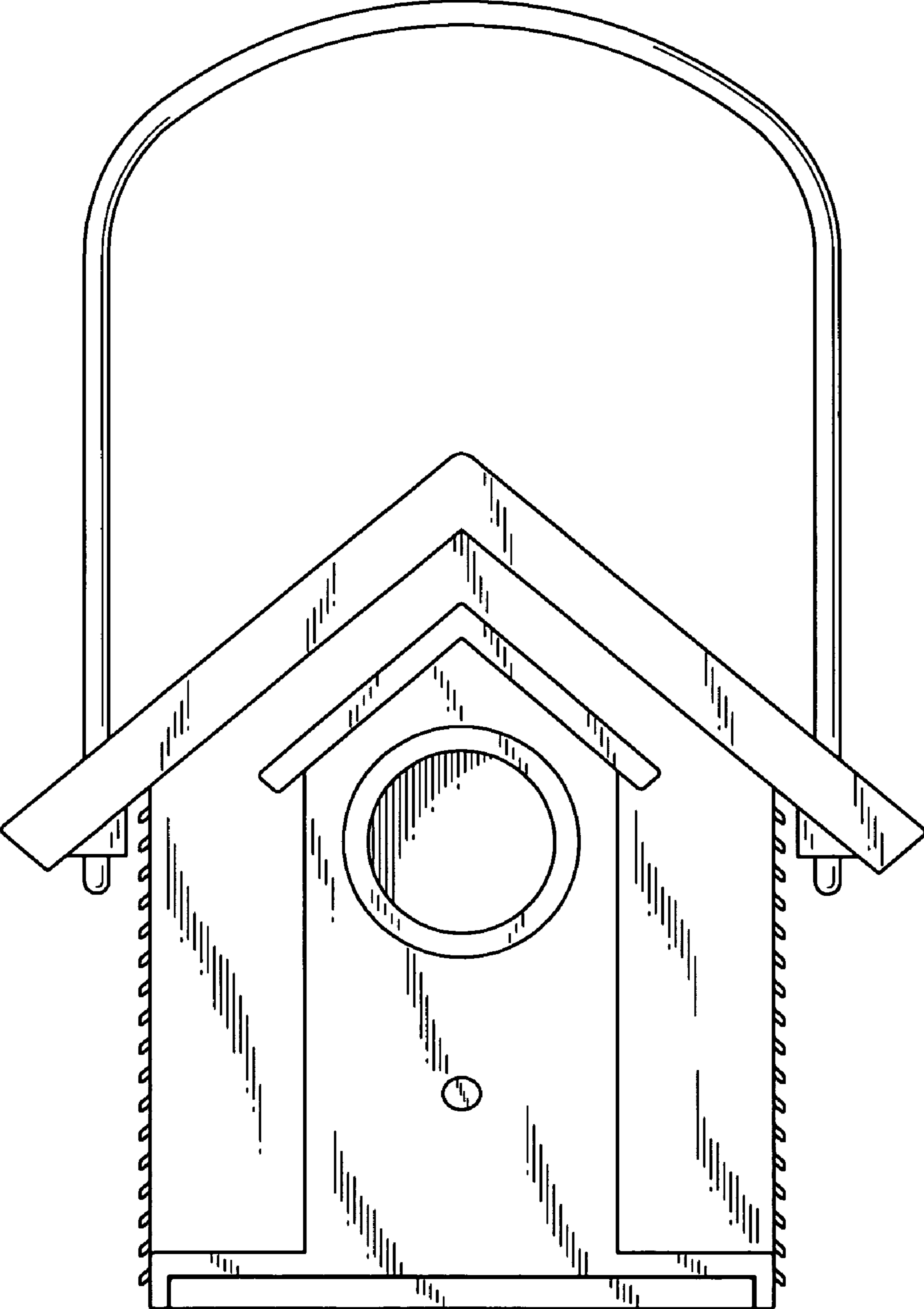


FIG. 2

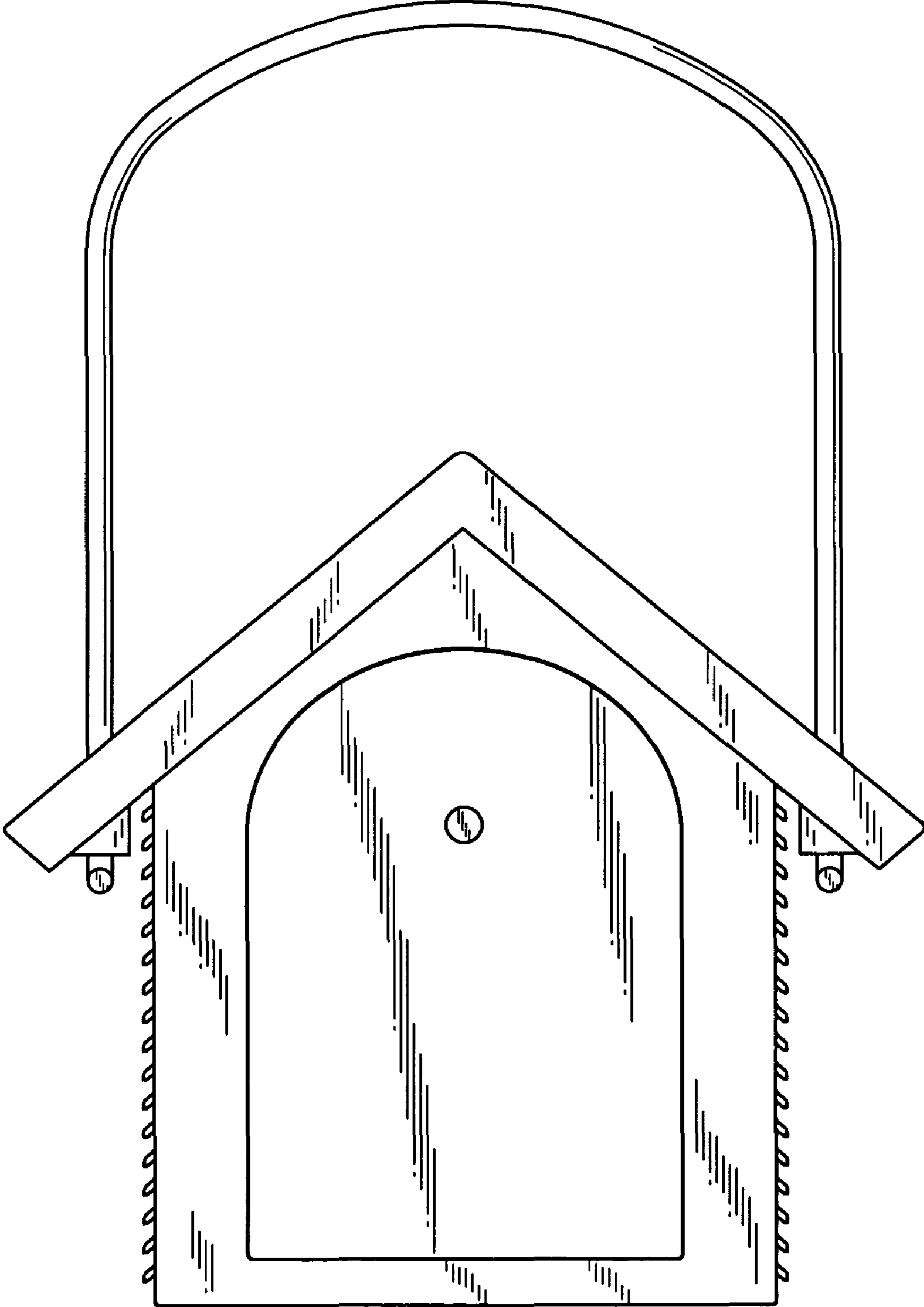


FIG. 3

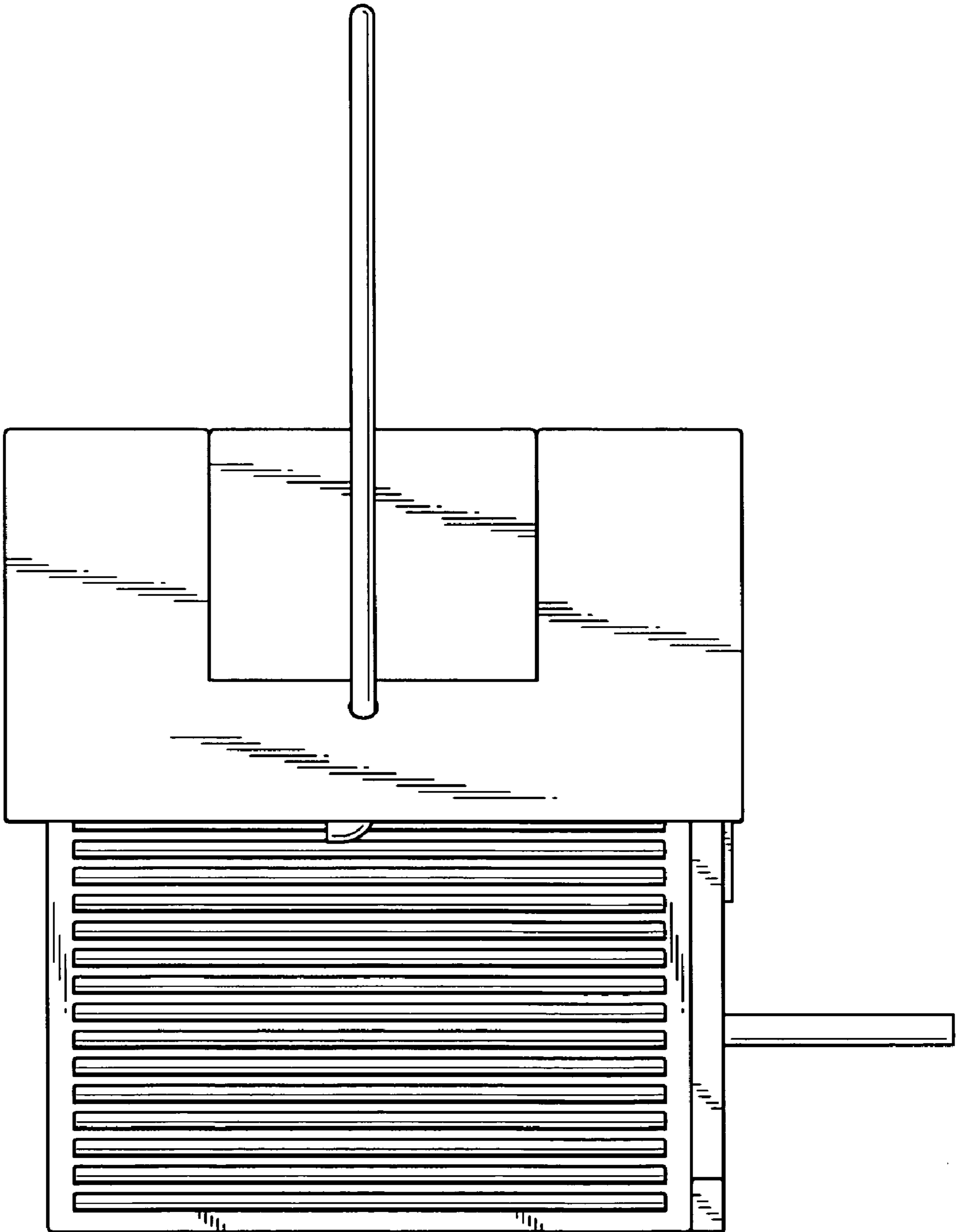


FIG. 4

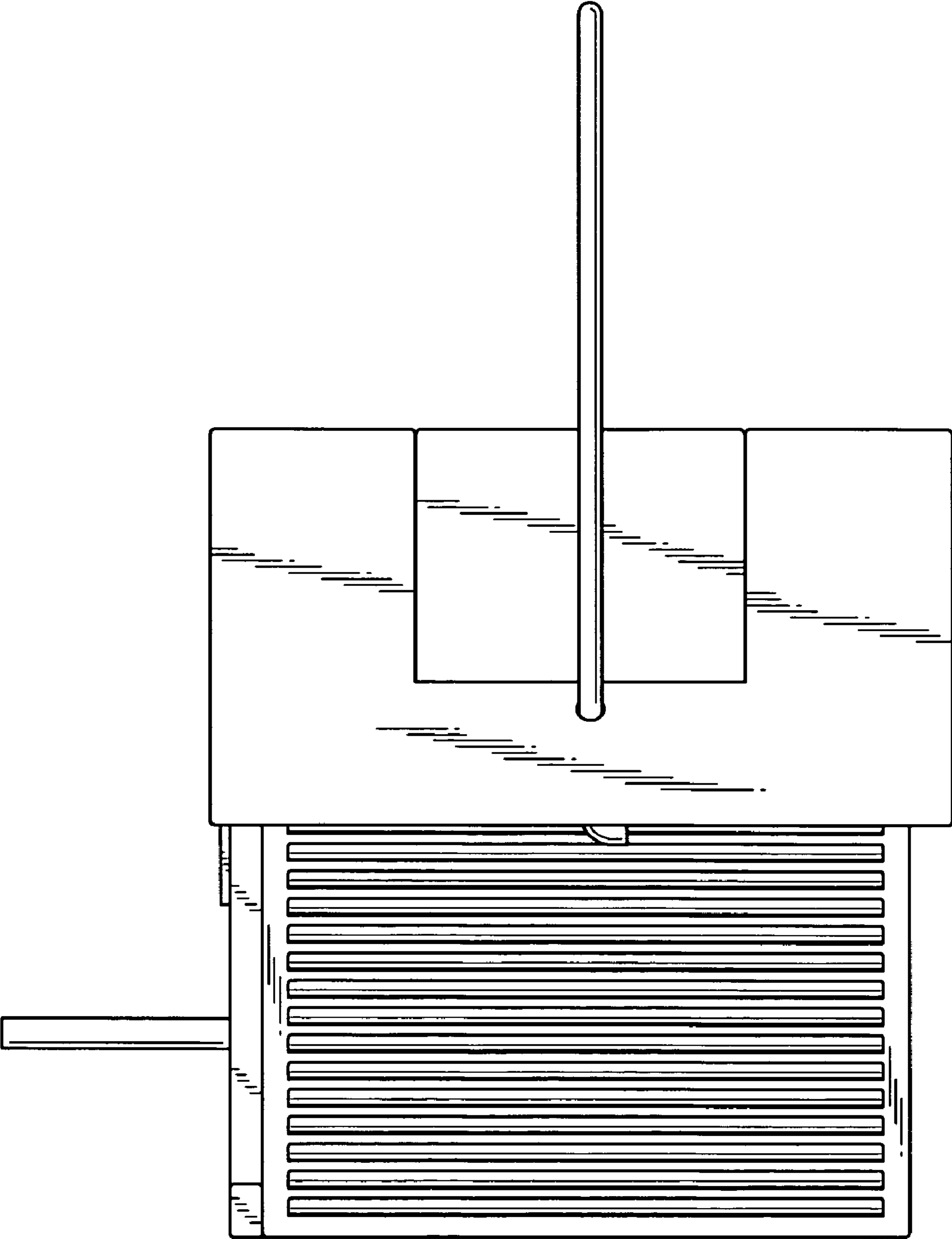


FIG. 5

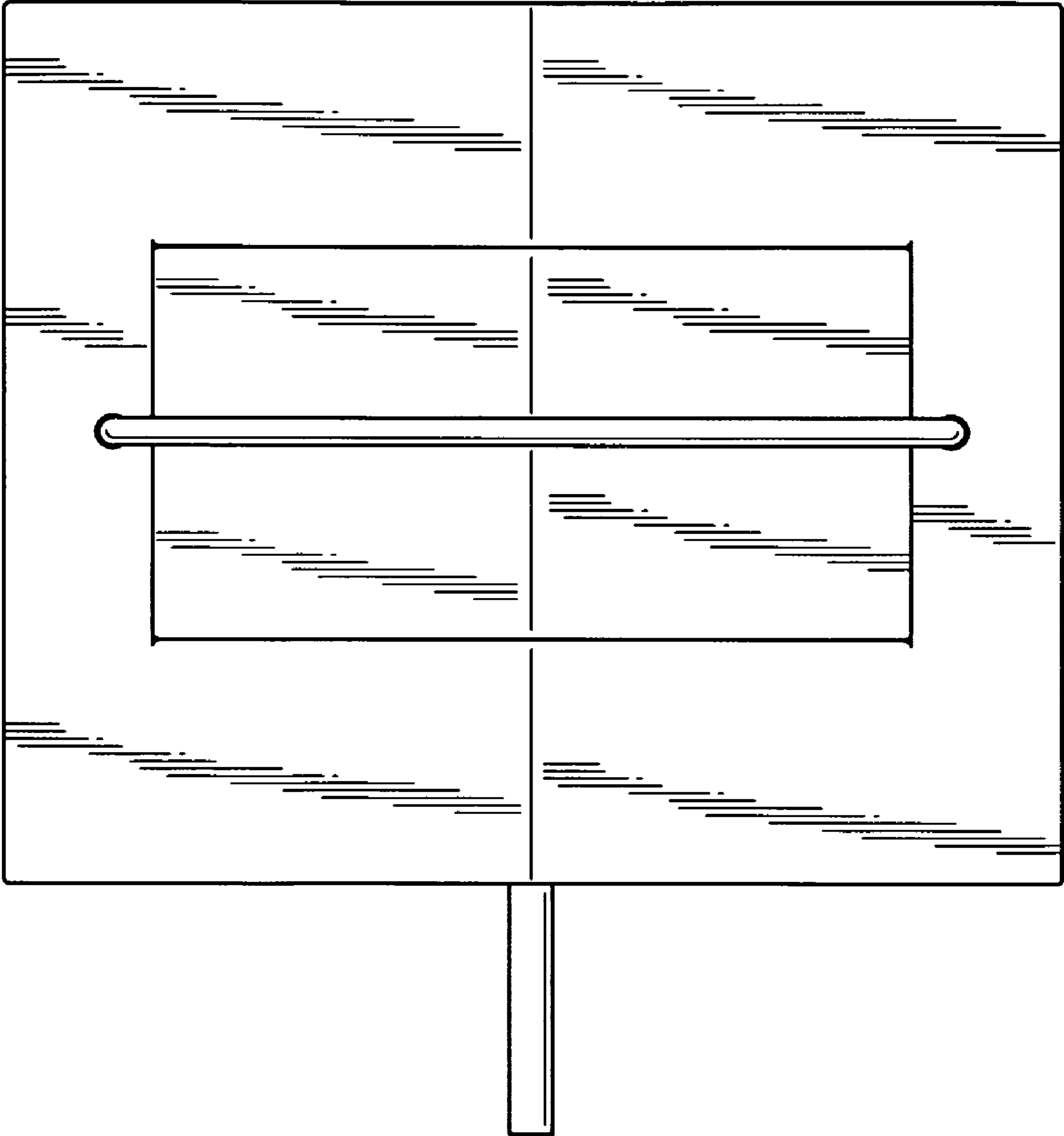


FIG. 6

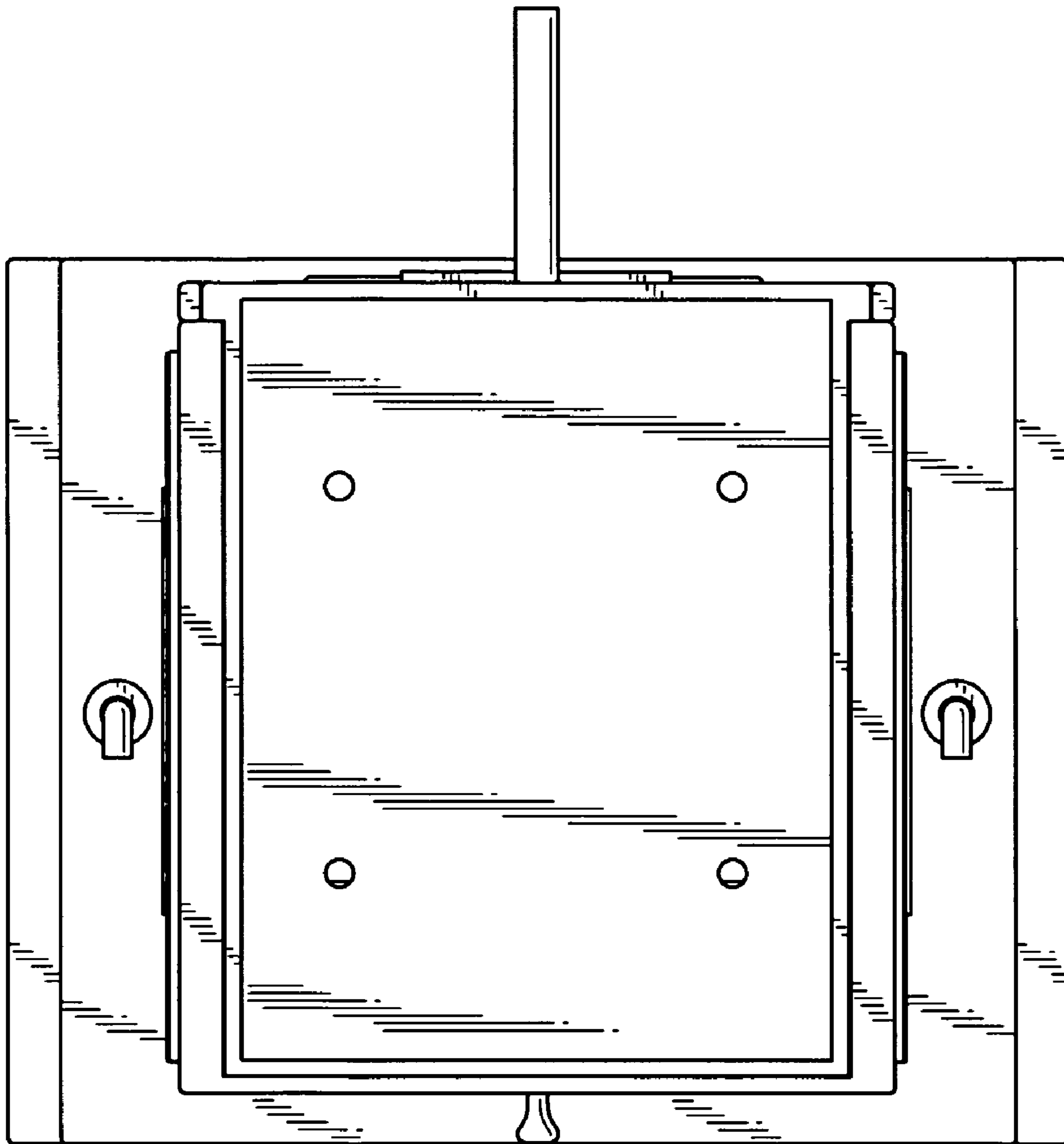


FIG. 7