



US00D626698S

(12) **United States Design Patent**
Stevenson et al.

(10) **Patent No.:** **US D626,698 S**

(45) **Date of Patent:** **** *Nov. 2, 2010**

(54) **AQUARIUM**

(75) Inventors: **Matthew Stevenson**, Norwich (GB);
John Wright, Norwich (GB)

(73) Assignee: **Reef One Limited**, Norwich, Norfolk (GB)

(**) Term: **14 Years**

(21) Appl. No.: **29/310,372**

(22) Filed: **Aug. 11, 2008**

(30) **Foreign Application Priority Data**

Feb. 11, 2008	(GB)	4006239
Feb. 11, 2008	(GB)	4006240
Feb. 14, 2008	(EM)	000878491-0001
Feb. 14, 2008	(EM)	000878491-0002

(51) **LOC (9) Cl.** **30-02**

(52) **U.S. Cl.** **D30/101**

(58) **Field of Classification Search** D30/101-107;
119/245-247, 253-256, 258
See application file for complete search history.

(56) **References Cited**

U.S. PATENT DOCUMENTS

D236,633 S *	9/1975	Shalom	D30/101
D240,141 S *	6/1976	Robert	D30/101
D244,146 S *	4/1977	Chapleau	D30/101

D327,233 S *	6/1992	McClellan	D30/101
D449,717 S *	10/2001	Fang	D30/101
D560,316 S *	1/2008	Ying-chuan et al.	D30/101

* cited by examiner

Primary Examiner—Cathy Anne MacCormac

(74) *Attorney, Agent, or Firm*—Renner, Otto, Boisselle & Sklar LLP

(57) **CLAIM**

The ornamental design for an aquarium, as shown and described.

DESCRIPTION

FIG. 1 is a front perspective view of a first embodiment of an aquarium showing my new design.

FIG. 2 is a rear perspective view of the aquarium.

FIG. 3 is bottom perspective view of the aquarium.

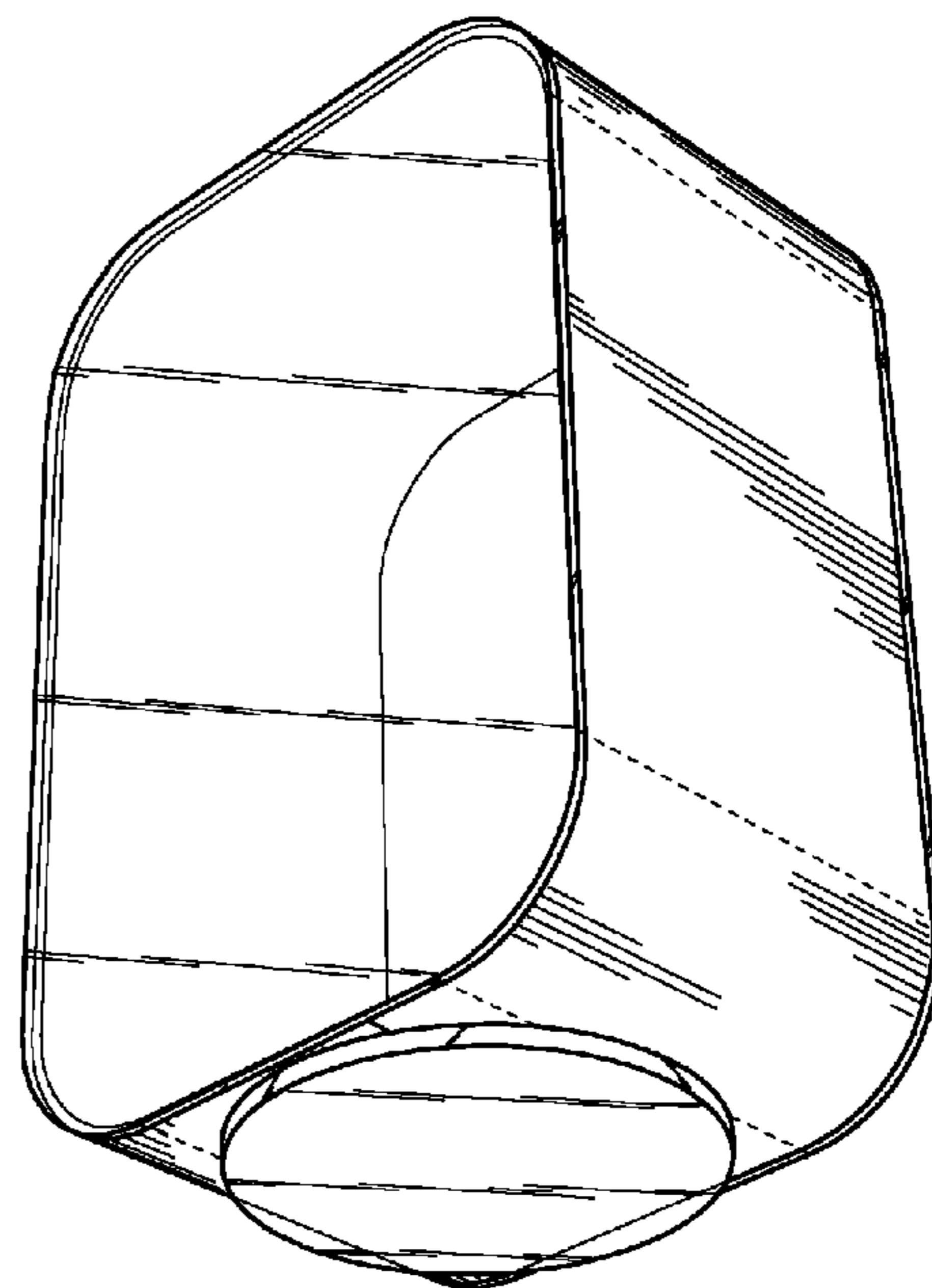
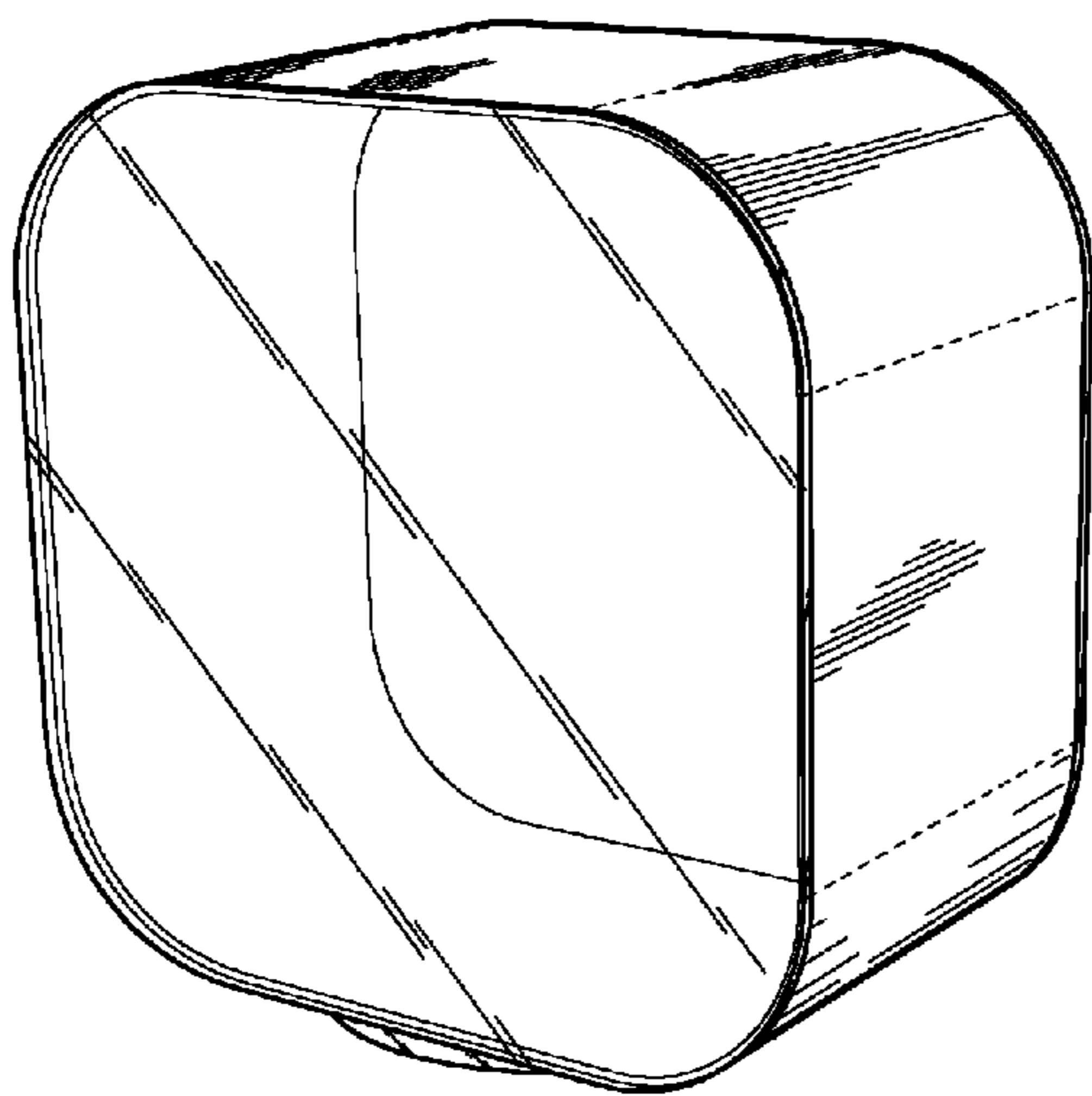
FIG. 4 is a front perspective view of a second embodiment of an aquarium showing my new design.

FIG. 5 is a rear perspective view of the aquarium shown in FIG. 4; and,

FIG. 6 is bottom perspective view of the aquarium shown in FIG. 4.

The broken lines shown herein are for illustrative purposes only and form no part of the claimed design.

1 Claim, 3 Drawing Sheets



US00D626698S

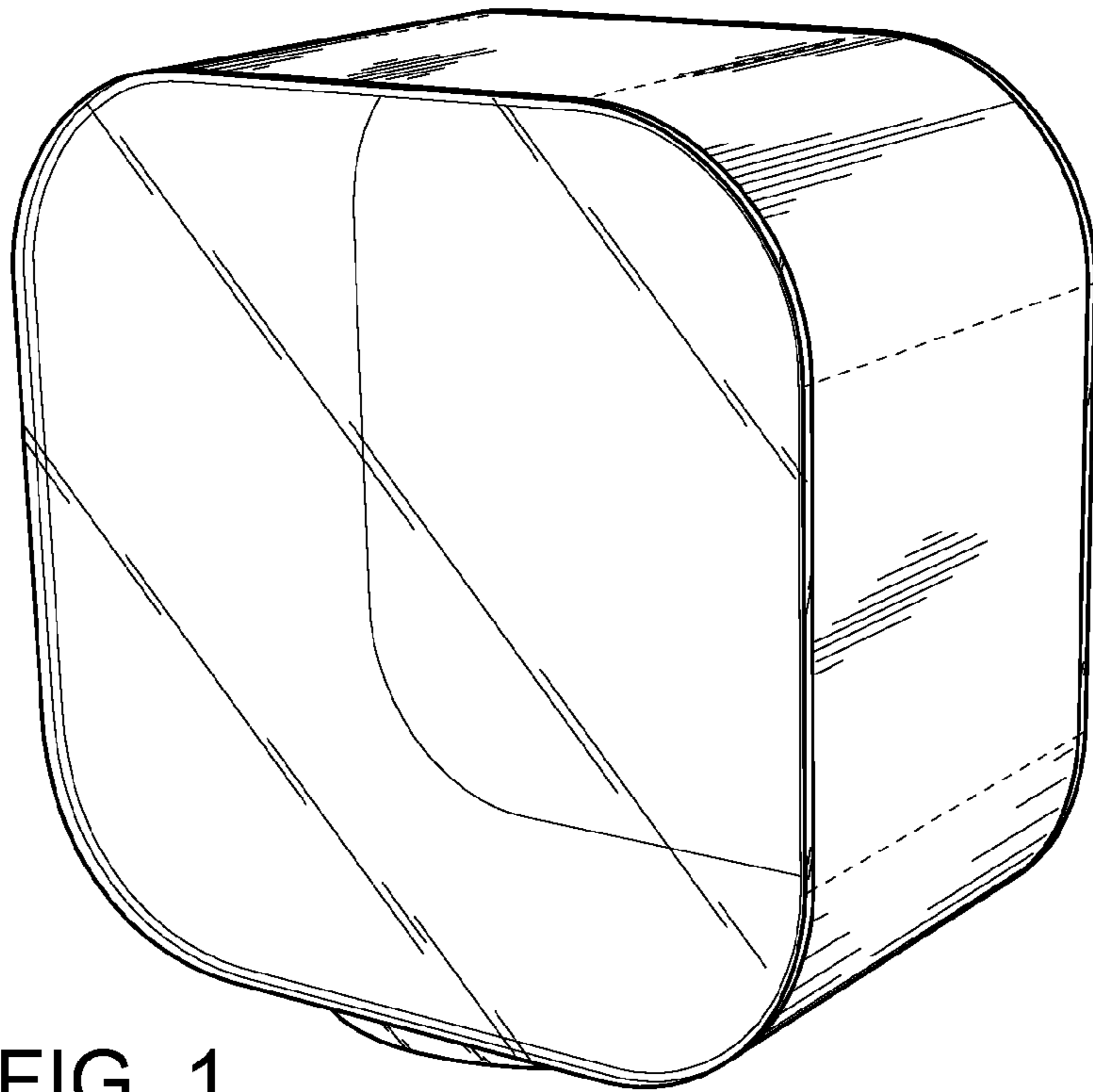


FIG. 1

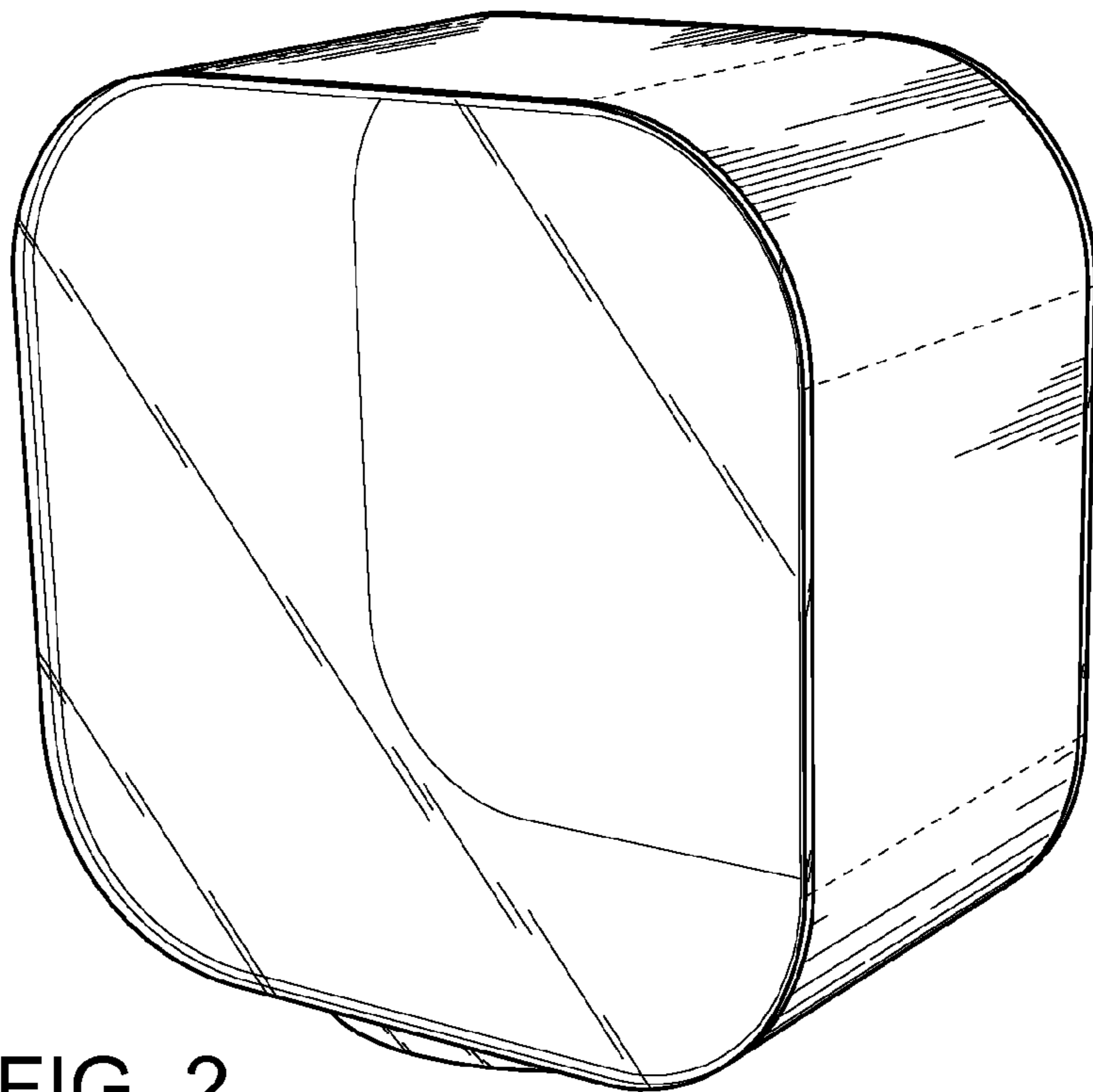


FIG. 2

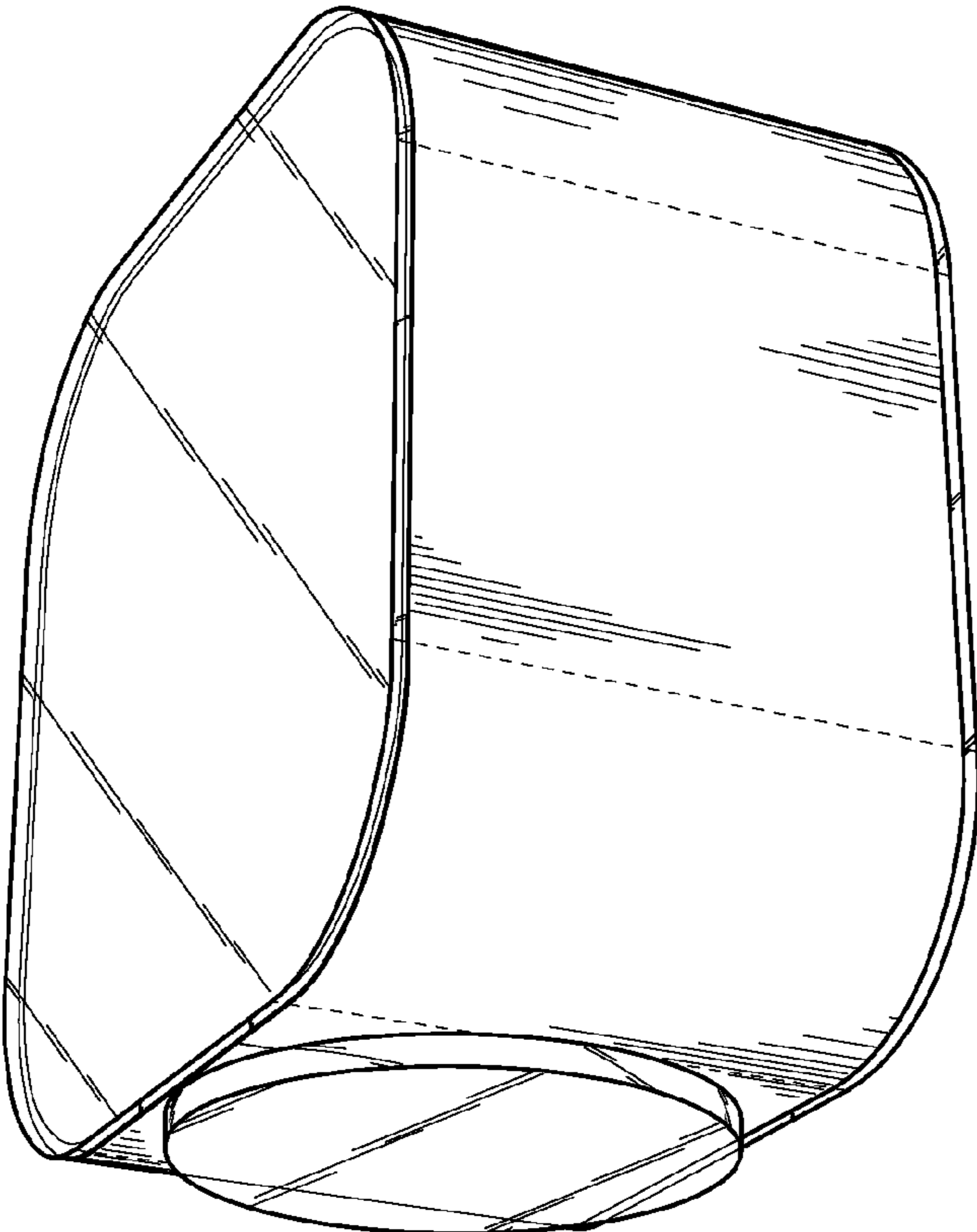


FIG. 3

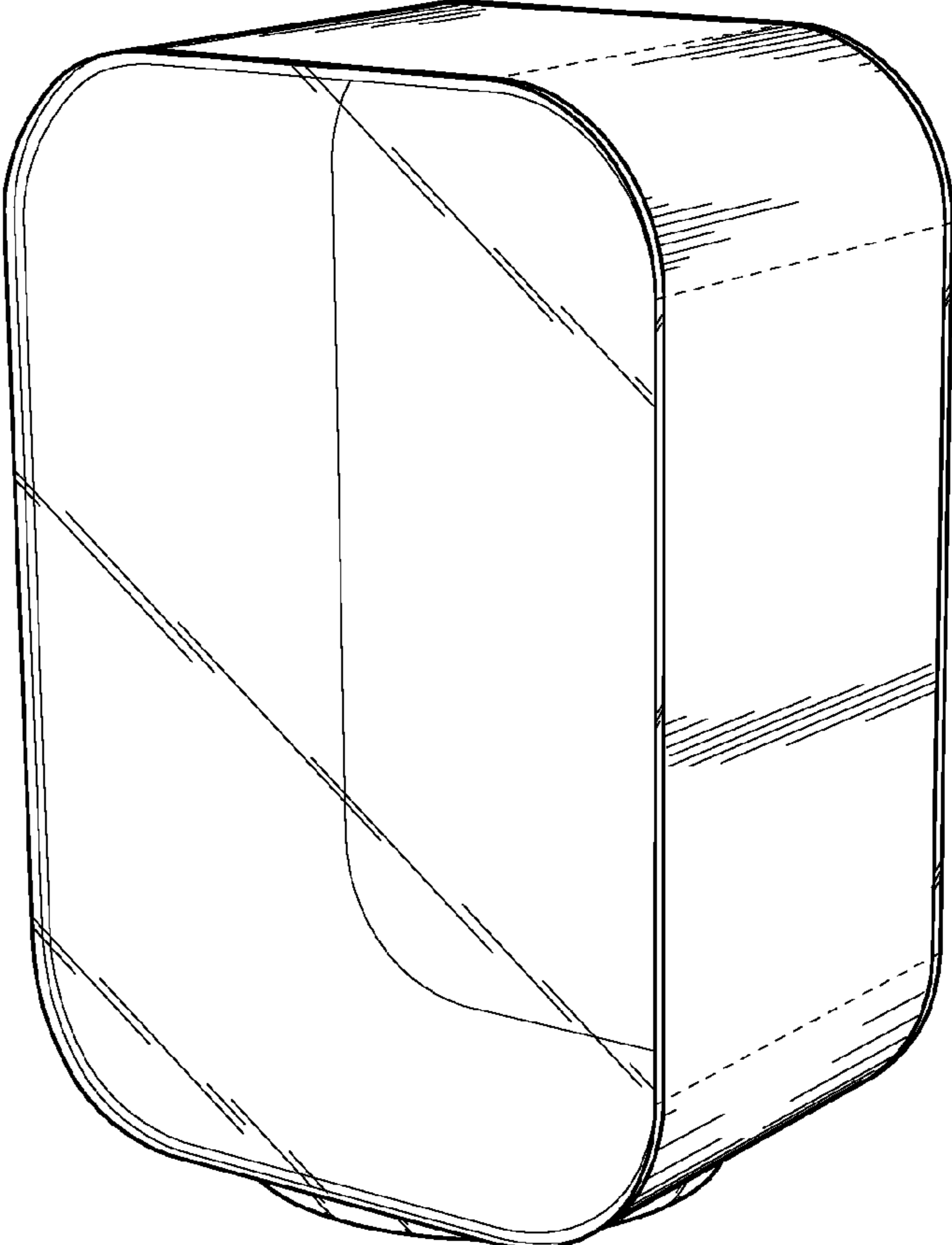


FIG. 4

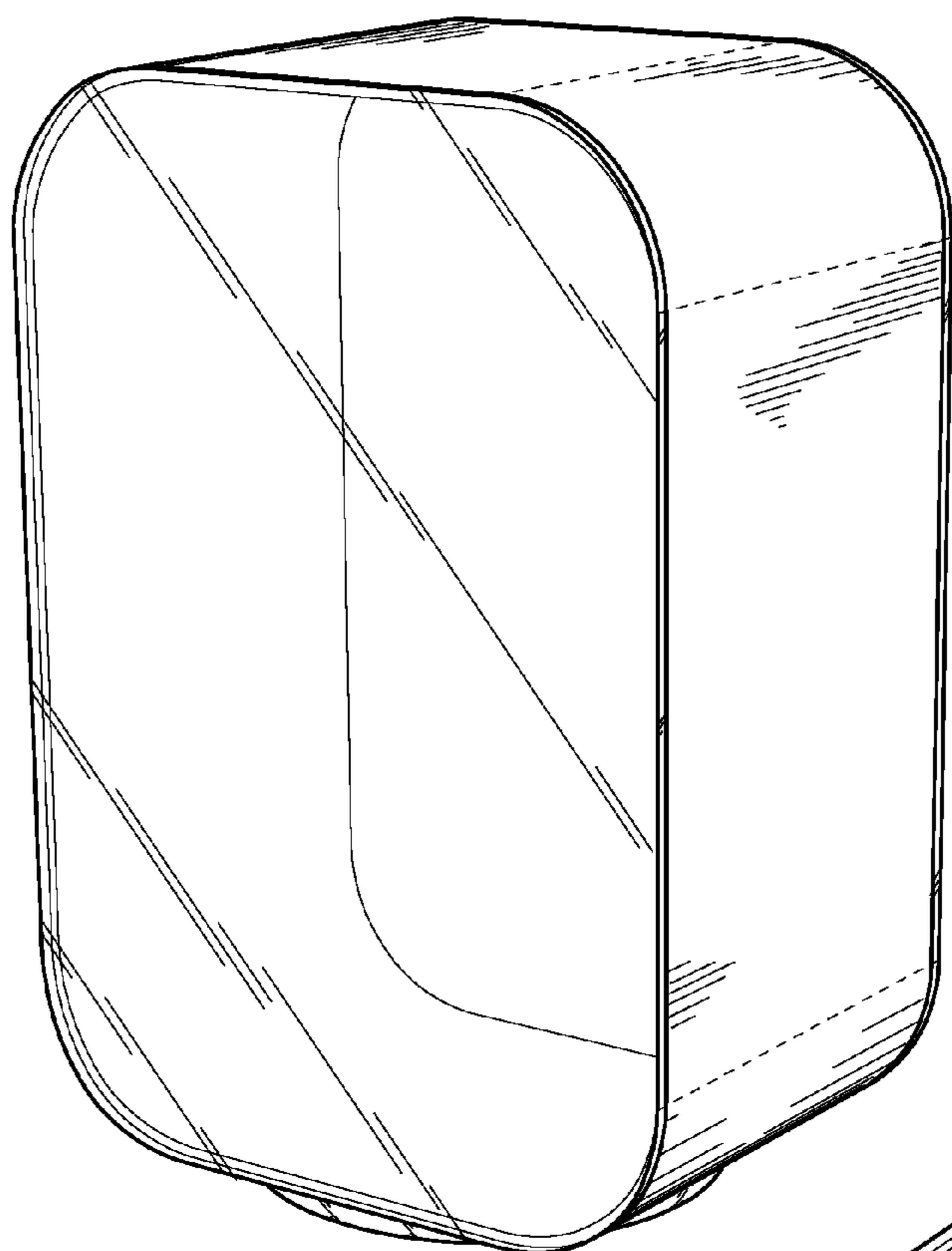


FIG. 5

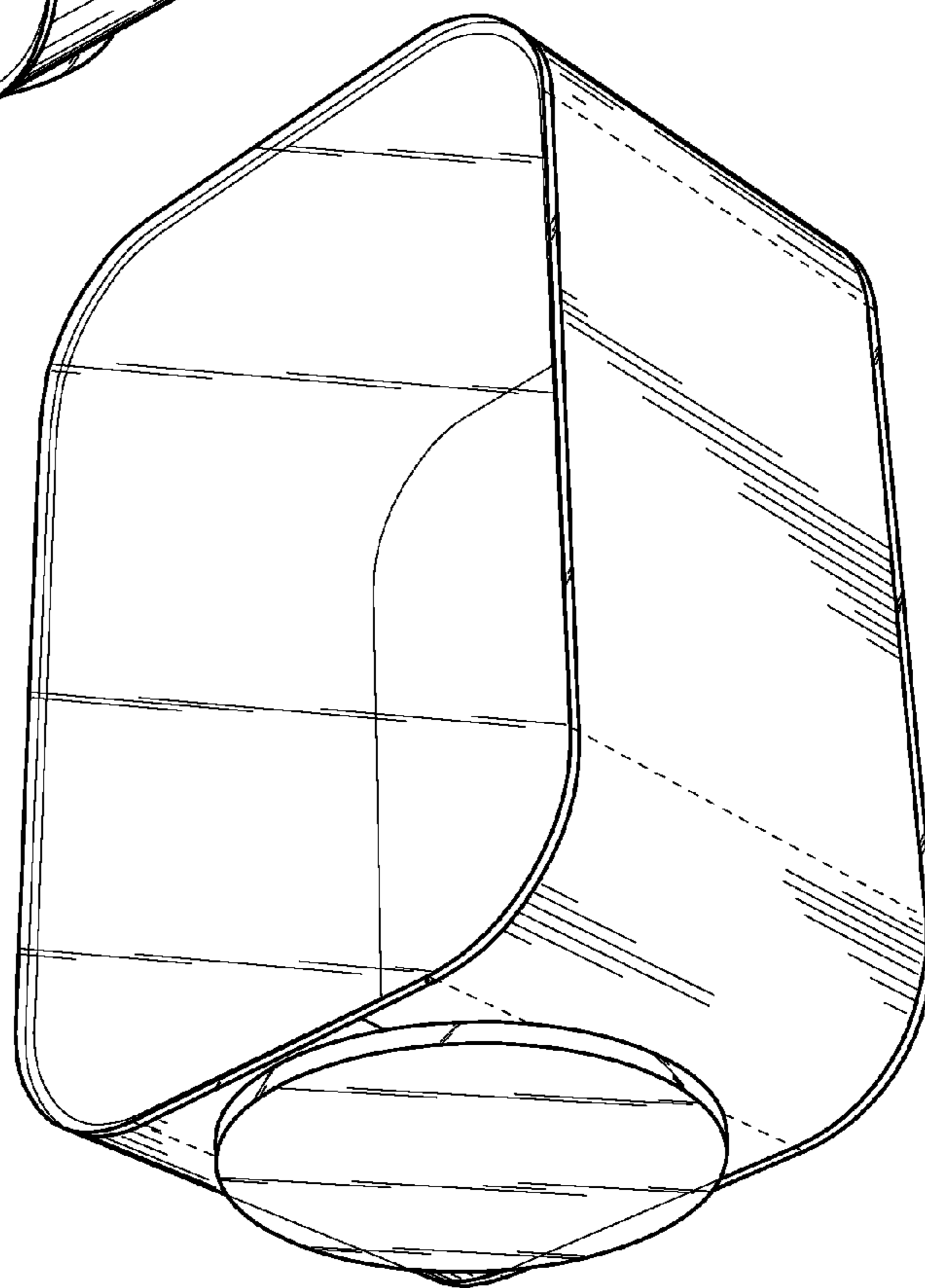


FIG. 6