



US00D626695S

(12) **United States Design Patent**
Boyden

(10) **Patent No.:** **US D626,695 S**

(45) **Date of Patent:** **** Nov. 2, 2010**

(54) **LIMB BAG**

(75) Inventor: **Scott Collishaw Boyden**, Victoria (ZA)

(73) Assignee: **Liquid Fire Trade and Invest 21 (Pty) Ltd.**, Gauteng (ZA)

(**) Term: **14 Years**

(21) Appl. No.: **29/309,831**

(22) Filed: **Oct. 22, 2008**

(51) **LOC (9) Cl.** **29-02**

(52) **U.S. Cl.** **D29/122**

(58) **Field of Classification Search** D2/610-623;
D3/215, 226, 247, 252; 224/219, 222, 267;
D29/120.1, 121.1, 122

See application file for complete search history.

(56) **References Cited**

U.S. PATENT DOCUMENTS

1,643,023	A *	9/1927	Marino	36/2 R
2,683,262	A *	7/1954	Foss	2/457
4,415,106	A *	11/1983	Connell et al.	224/221
4,461,030	A *	7/1984	Knudsen	224/222
D339,472	S *	9/1993	Parker	D3/230
5,400,936	A *	3/1995	Jones et al.	224/222
D365,677	S *	1/1996	Dolsey	D3/226

D373,900	S *	9/1996	Montgomery, Sr.	D3/226
5,671,481	A *	9/1997	Giard	2/170
D404,908	S *	2/1999	Lollis	D3/215
D487,844	S *	3/2004	Nichols	D3/215
D616,644	S *	6/2010	Ramon	D3/224

* cited by examiner

Primary Examiner—Raphael Barkai

Assistant Examiner—Randall H Gholson

(74) *Attorney, Agent, or Firm*—Birch, Stewart, Kolasch & Birch, LLP

(57) **CLAIM**

The ornamental design for a limb bag, as shown and described.

DESCRIPTION

FIG. 1 is a front perspective view of a first embodiment of a limb bag in a collapsed state showing my new design;

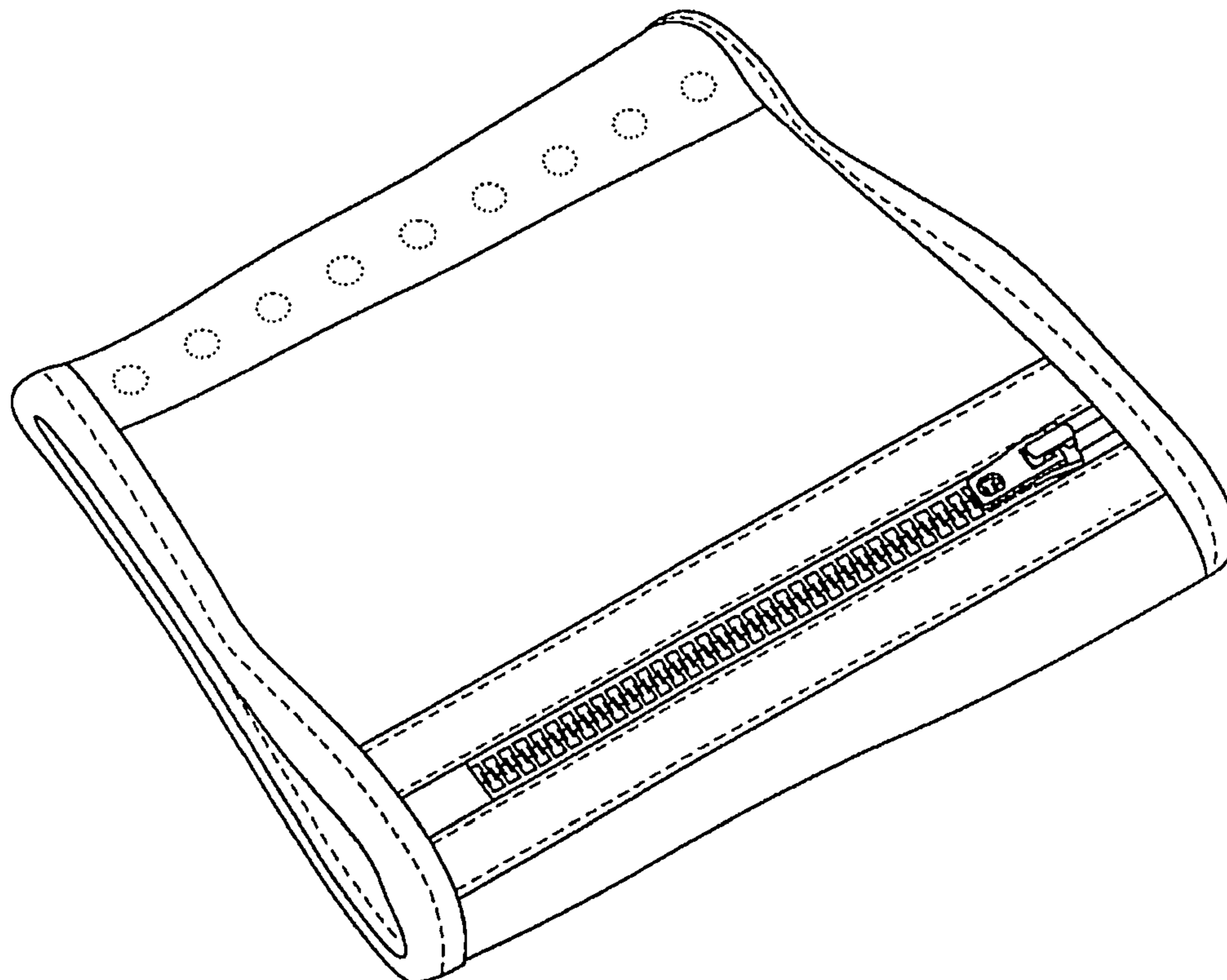
FIG. 2 is a perspective view thereof in an expanded state;

FIG. 3 is a front view thereof; and,

FIG. 4 is a rear view thereof.

The broken lines shown in the drawings are included for the purpose of illustration only and form no part of the claimed design.

1 Claim, 3 Drawing Sheets



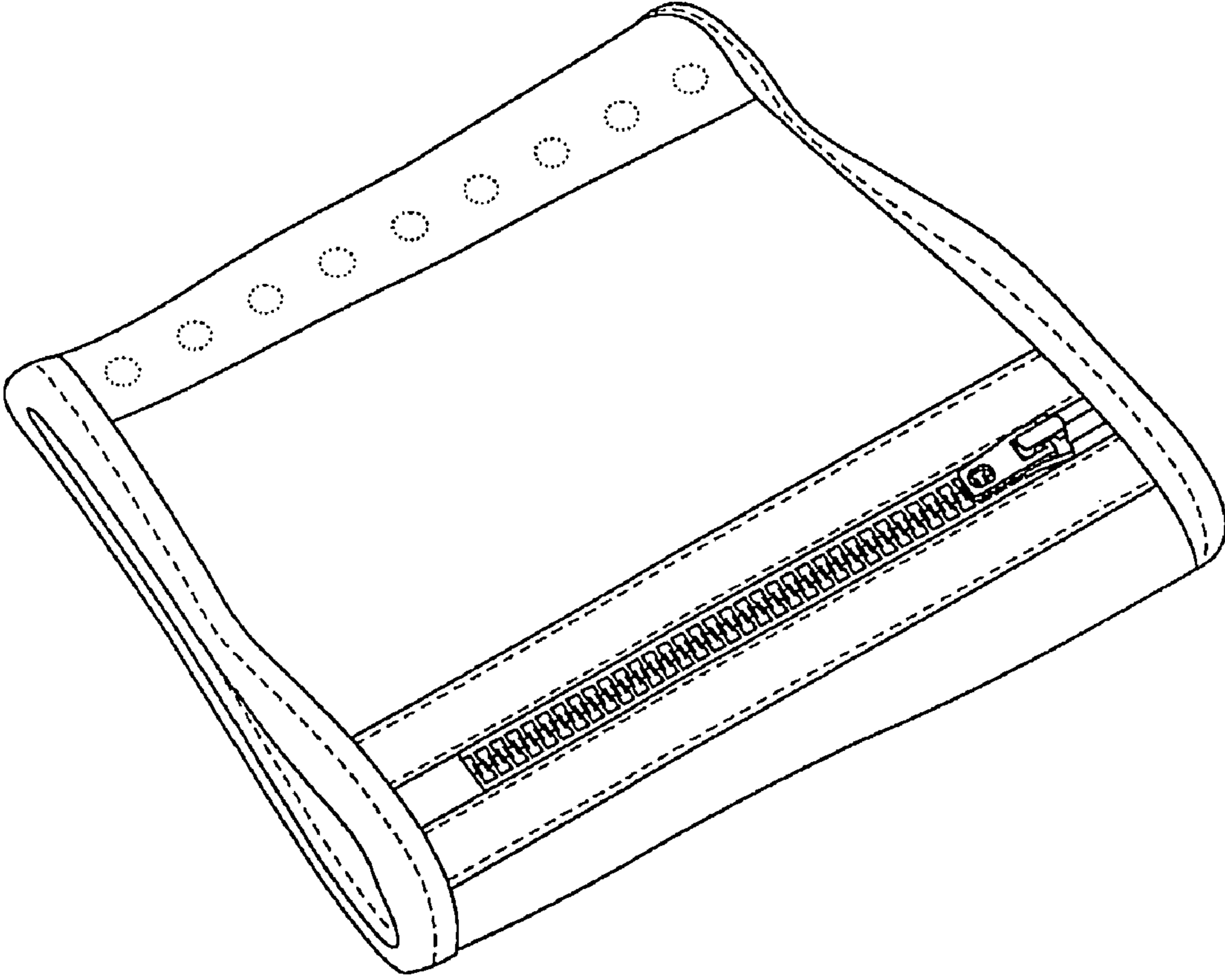


FIG. 1

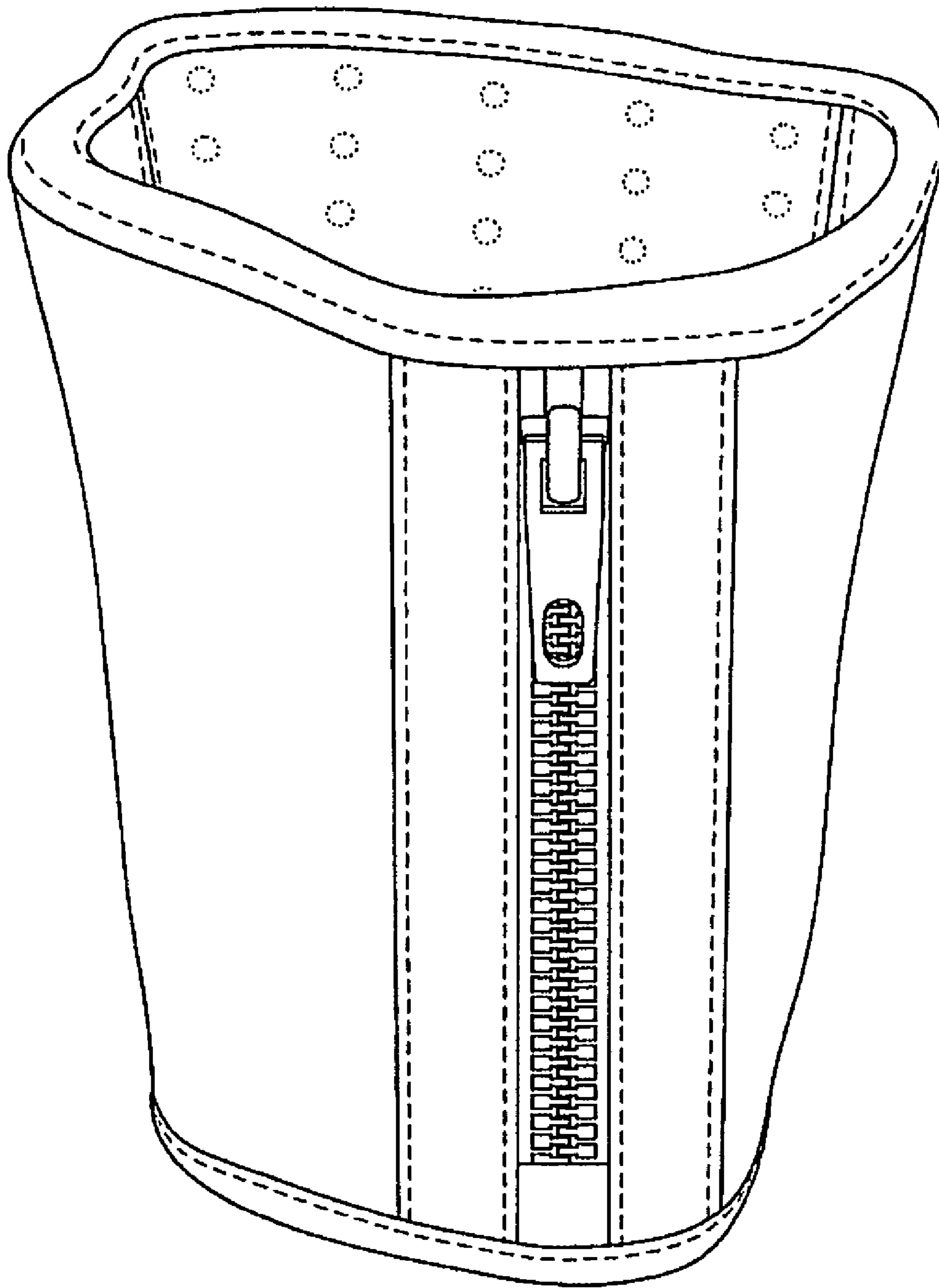


FIG. 2

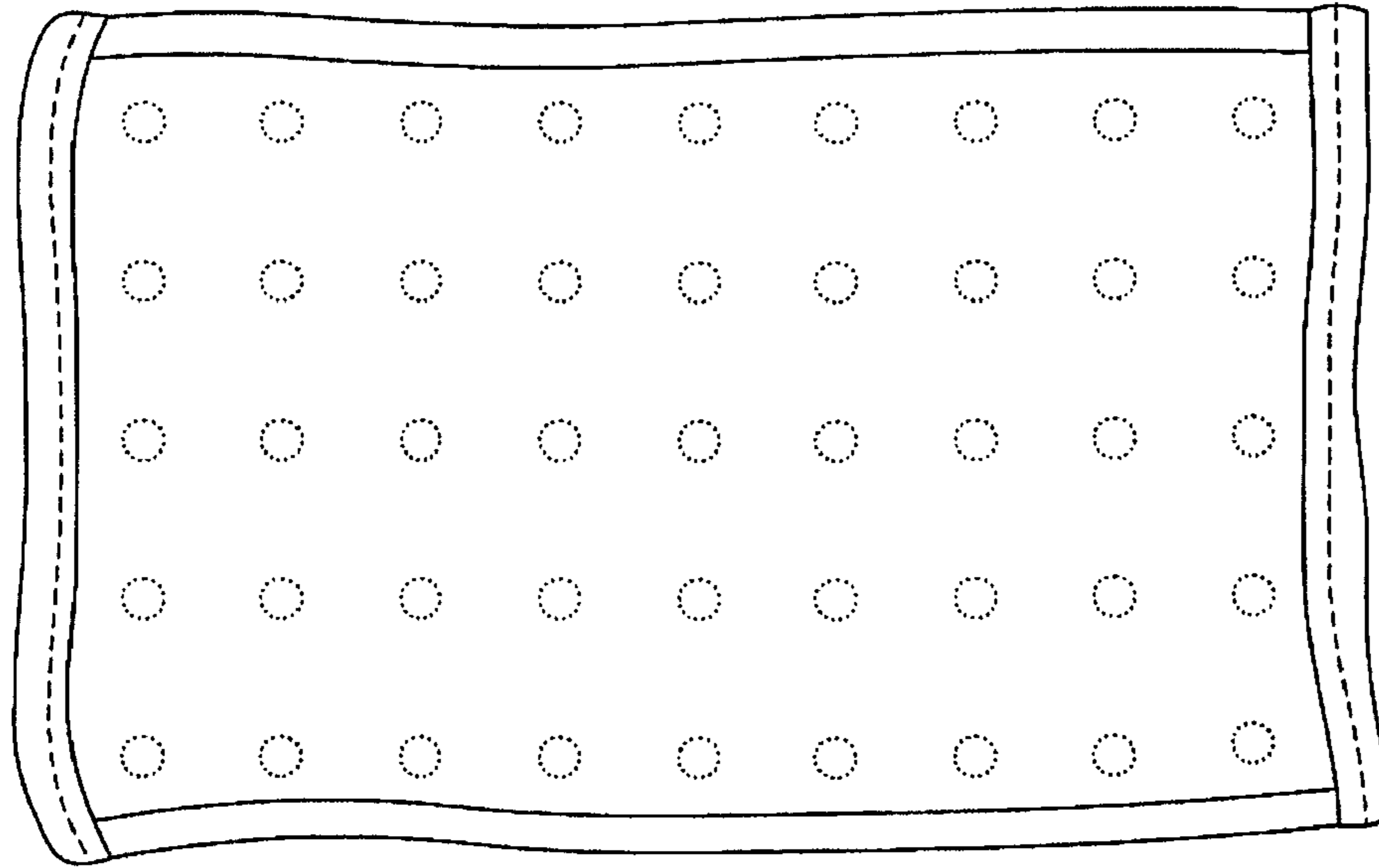


FIG. 4

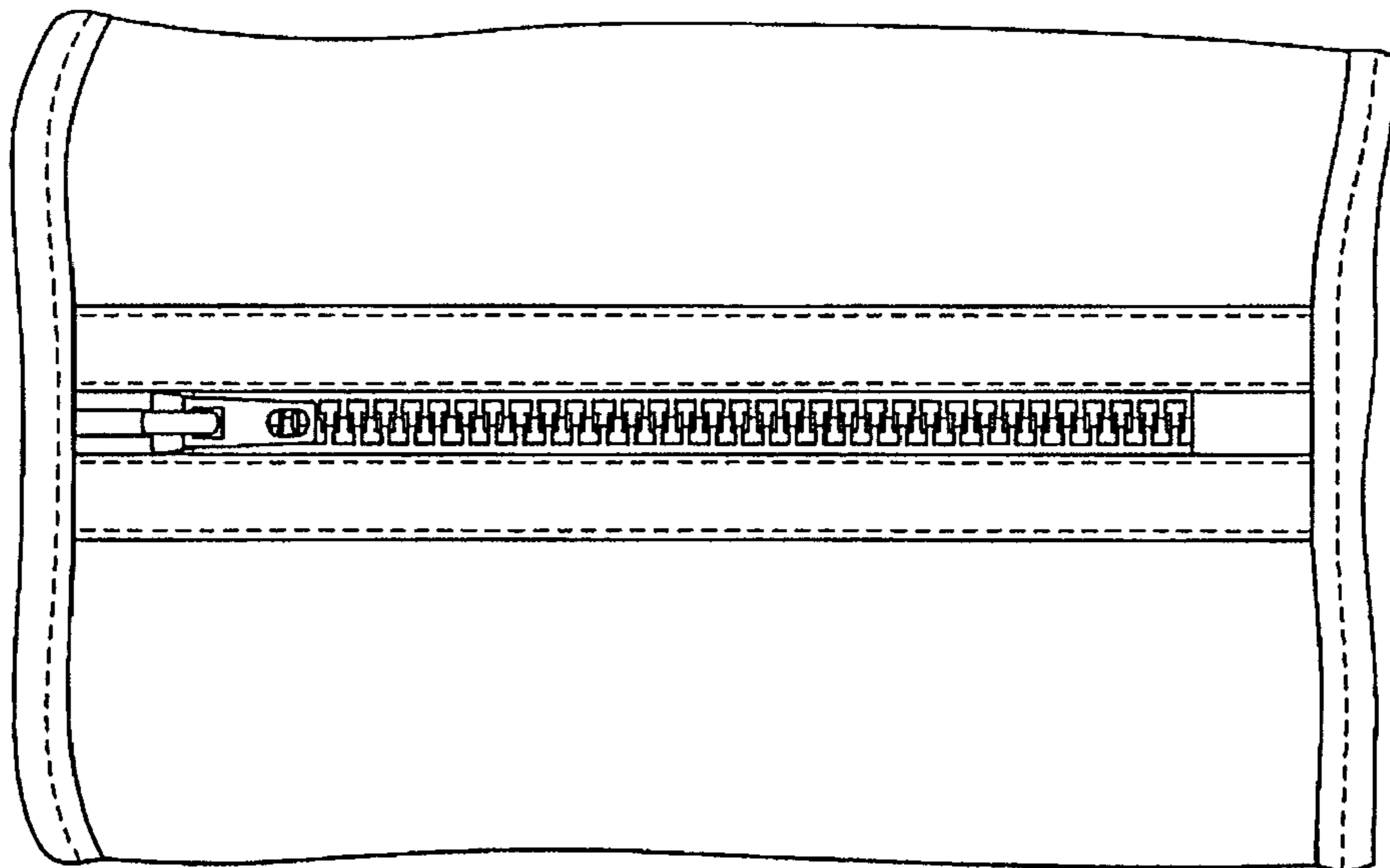


FIG. 3