



US00D626693S

(12) **United States Design Patent**
Harbeke

(10) **Patent No.:** **US D626,693 S**
(45) **Date of Patent:** **** Nov. 2, 2010**

(54) **CLIPPER**

DESCRIPTION

(75) Inventor: **Christian Harbeke**, Zurich (CH)

(73) Assignee: **Heiniger AG** (CH)

(**) Term: **14 Years**

(21) Appl. No.: **29/355,695**

(22) Filed: **Feb. 12, 2010**

(30) **Foreign Application Priority Data**

Aug. 20, 2009 (WO) DM/072 170

(51) **LOC (9) Cl.** **28-03**

(52) **U.S. Cl.** **D28/53**

(58) **Field of Classification Search** 30/29.5,
30/30, 32, 34.05, 34.1, 34.2, 43-43.92, 44-45,
30/526-537, 196, 201, 223, 233, 233.5; D28/44,
D28/44.1, 49-54

See application file for complete search history.

(56) **References Cited**

U.S. PATENT DOCUMENTS

D302,601 S *	8/1989	Uchida	D28/53
D454,980 S *	3/2002	Long et al.	D28/53
D538,476 S *	3/2007	Laube	D28/54
D555,286 S *	11/2007	Long	D28/53
D555,287 S *	11/2007	Long et al.	D28/53
D556,379 S *	11/2007	Akahori	D28/53
D556,380 S *	11/2007	Long	D28/53
D600,409 S *	9/2009	Klein	D28/53

* cited by examiner

Primary Examiner—Jennifer Rivard

(74) *Attorney, Agent, or Firm*—Ostrolenk Faber LLP

(57) **CLAIM**

The ornamental design for a clipper, as shown and described.

FIG. 1 is a front, side, perspective view of a clipper showing my new design;

FIG. 2 is an additional perspective view thereof;

FIG. 3 is a front view thereof;

FIG. 4 is a rear view thereof;

FIG. 5 is a side view thereof, the opposite side view being a mirror image;

FIG. 6 is a top view thereof;

FIG. 7 is a bottom view thereof;

FIG. 8 is a cross-sectional view along the line 8—8 in FIG. 3;

FIG. 9 is a cross-sectional view along the line 9—9 in FIG. 3;

FIG. 10 is a front, side, perspective view of a second embodiment thereof;

FIG. 11 is a front view thereof;

FIG. 12 is a rear view thereof;

FIG. 13 is a top view thereof;

FIG. 14 is a bottom view thereof;

FIG. 15 is a cross-sectional view along the line 15—15 in FIG. 11;

FIG. 16 is a cross-sectional view along the line 16—16 in FIG. 11;

FIG. 17 is a side view thereof, the opposite side view being a mirror image;

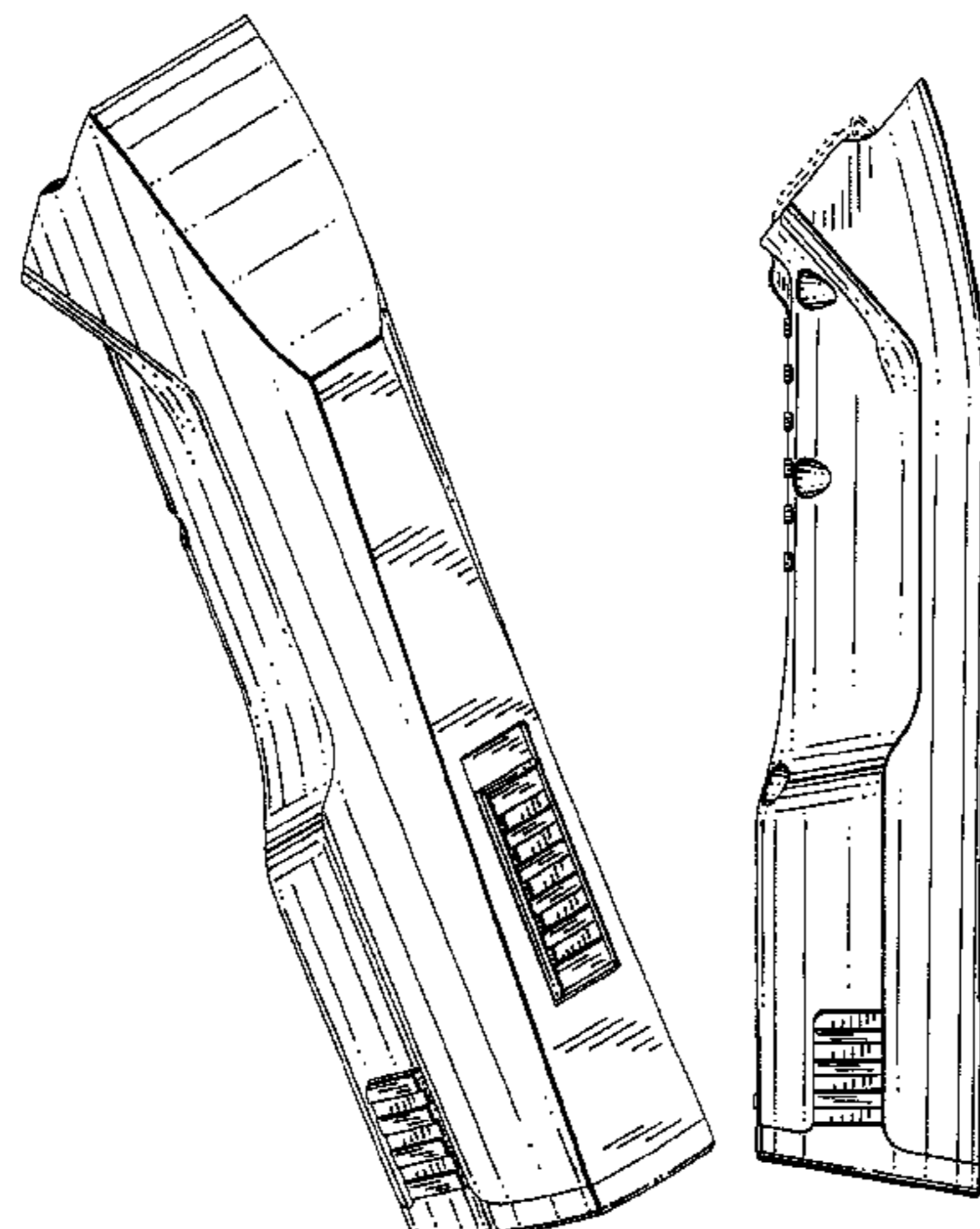
FIG. 18 is a front, side, perspective view of a third embodiment thereof; and,

FIG. 19 is a side view thereof, the opposite side view being a mirror image.

With the exception of the slight protuberance of the button along the front of the clipper, the remaining views of the third embodiment are illustrated by the views shown for the second embodiment.

The broken line showing is of environmental material and forms no part of the present design.

1 Claim, 13 Drawing Sheets



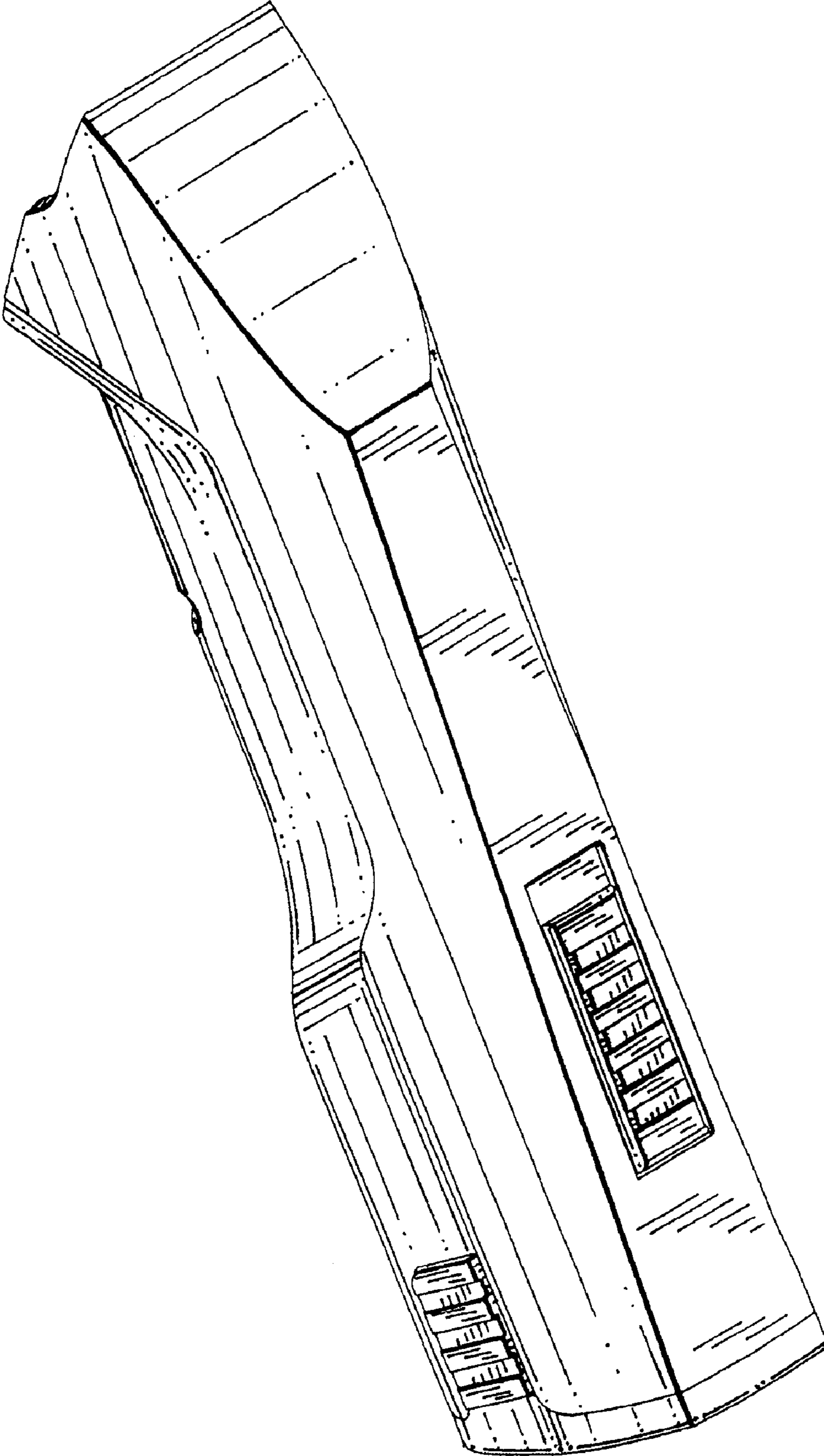


FIG. 1

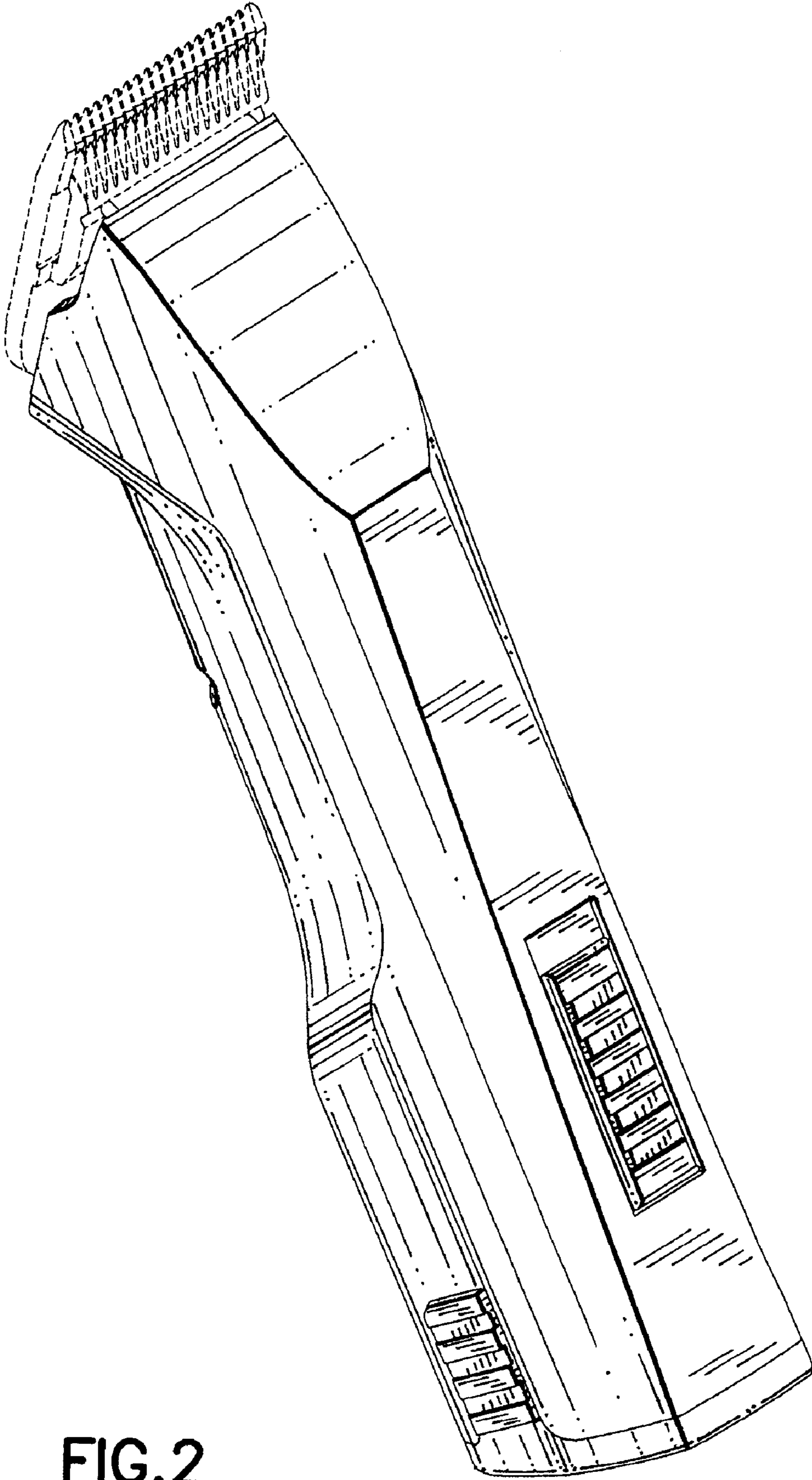


FIG.2

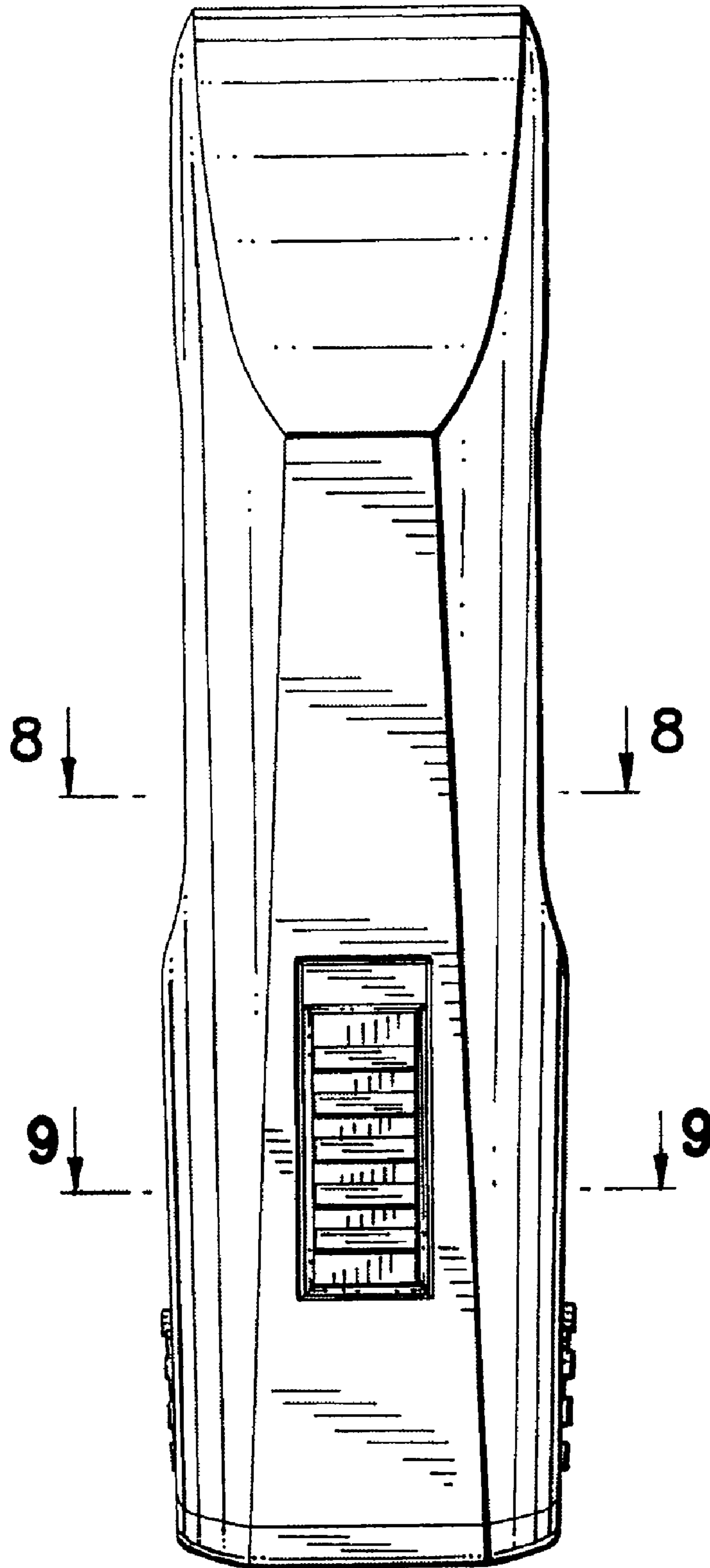


FIG.3

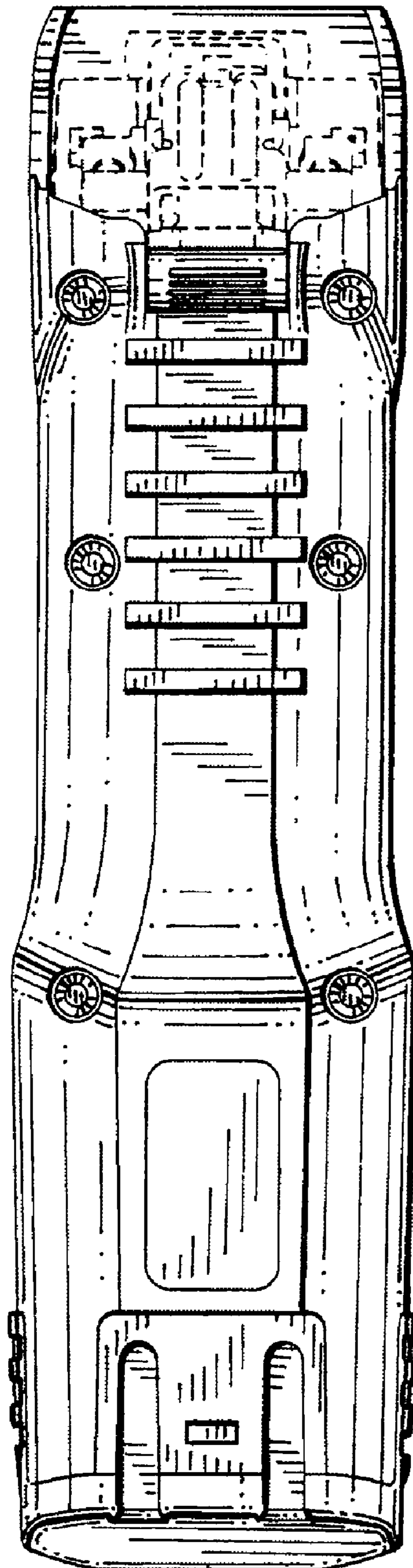


FIG.4

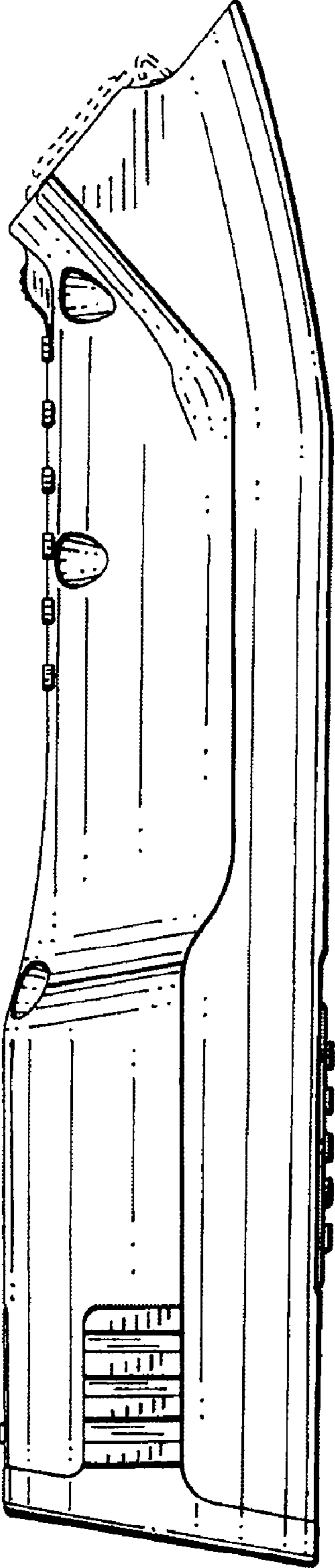


FIG.5

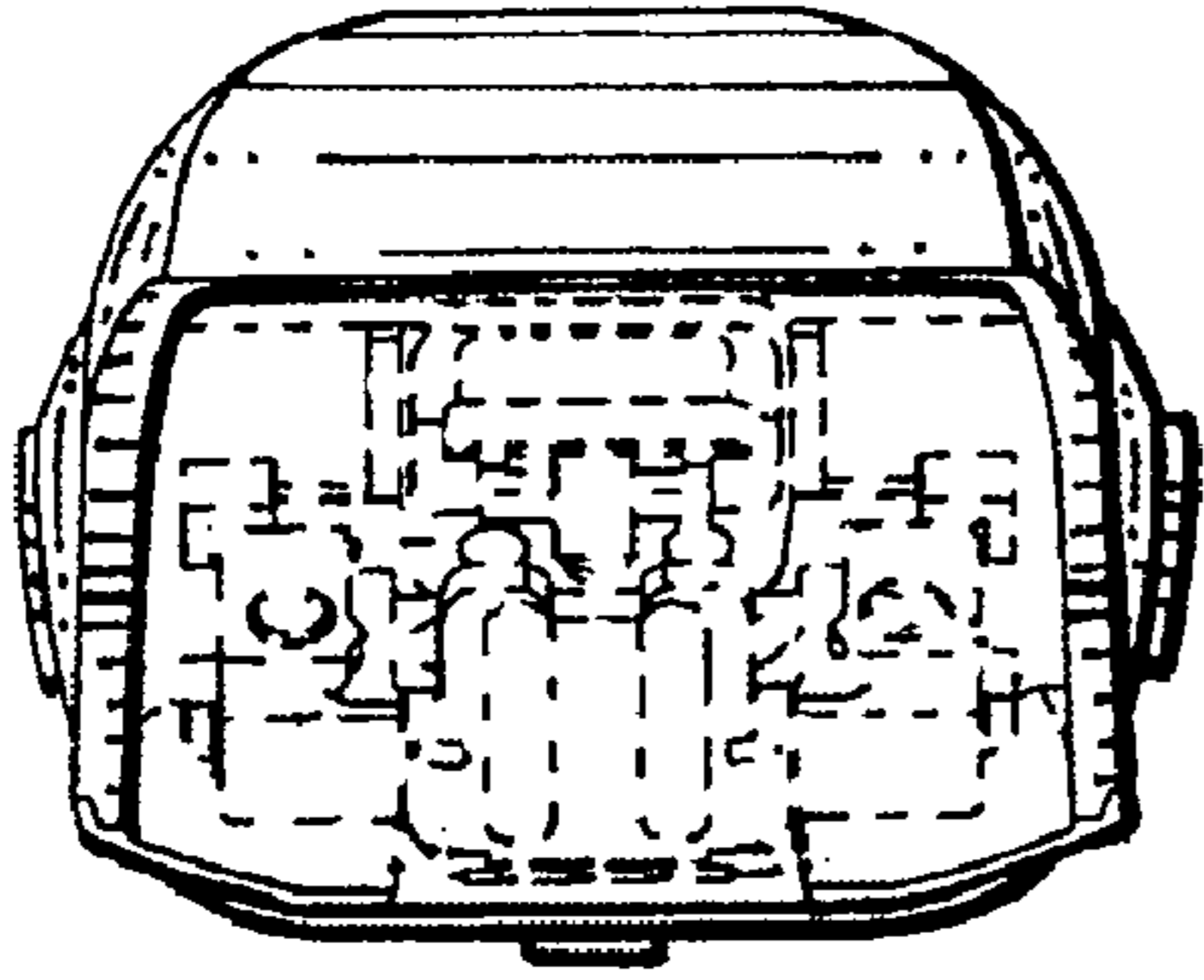


FIG. 6

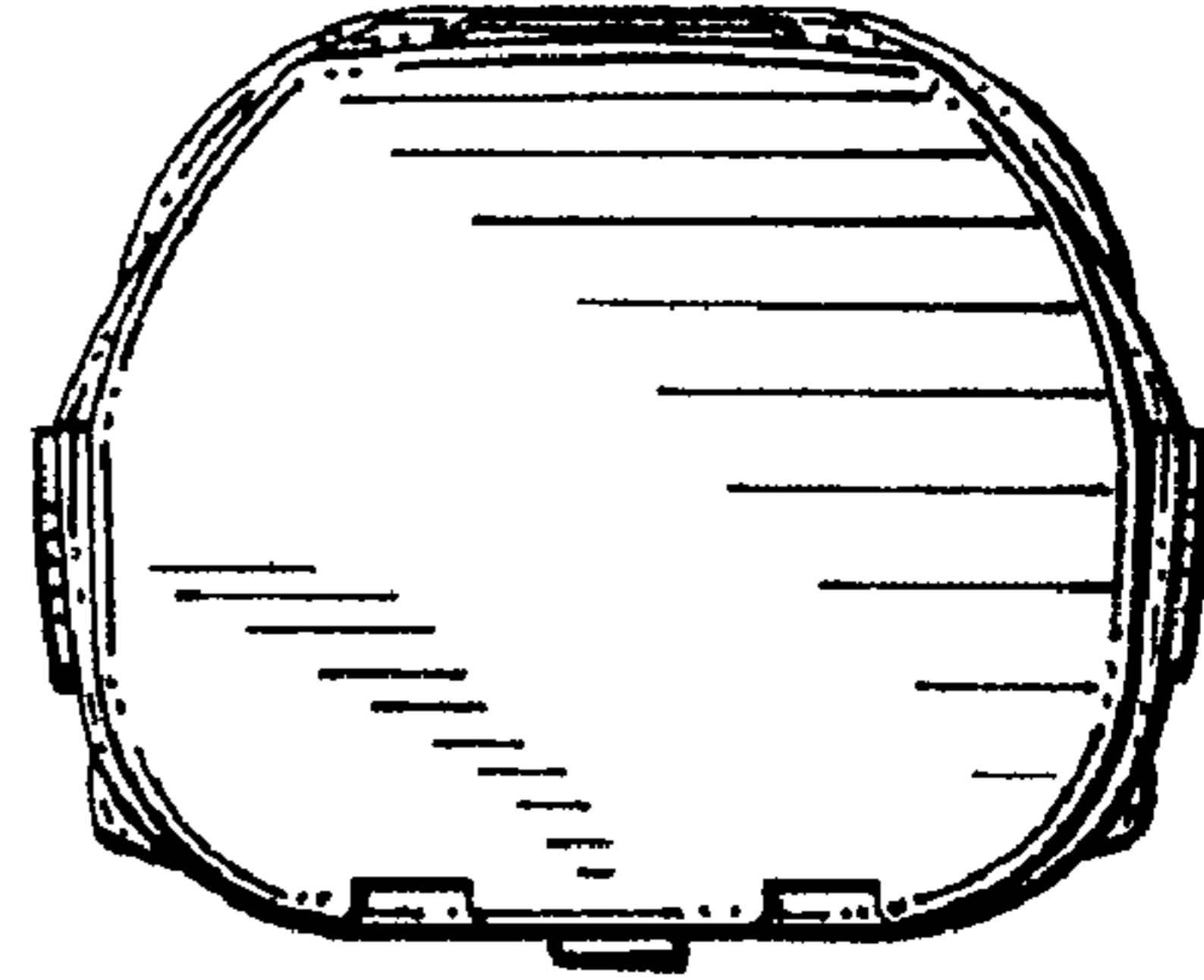


FIG. 7

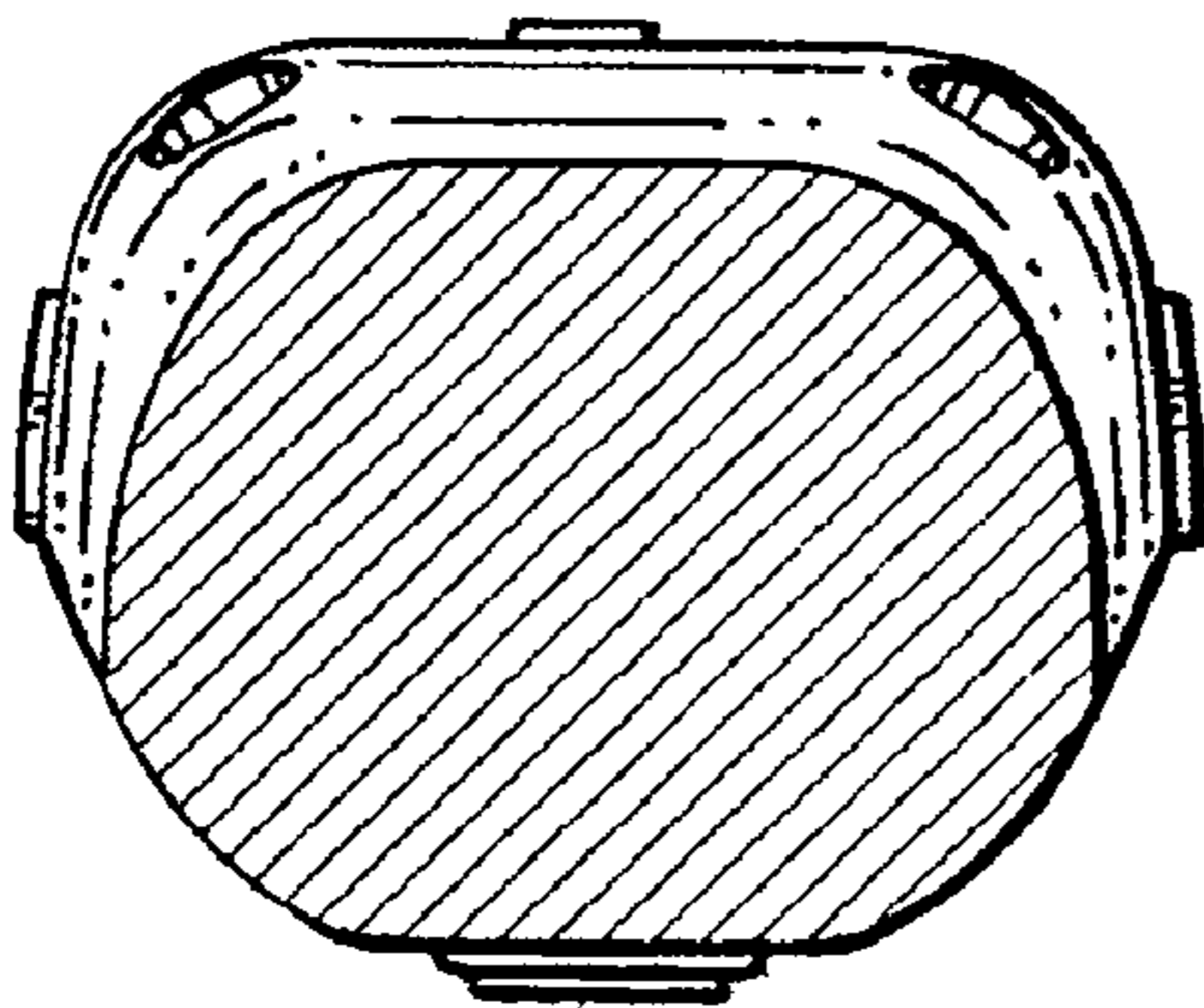


FIG. 8

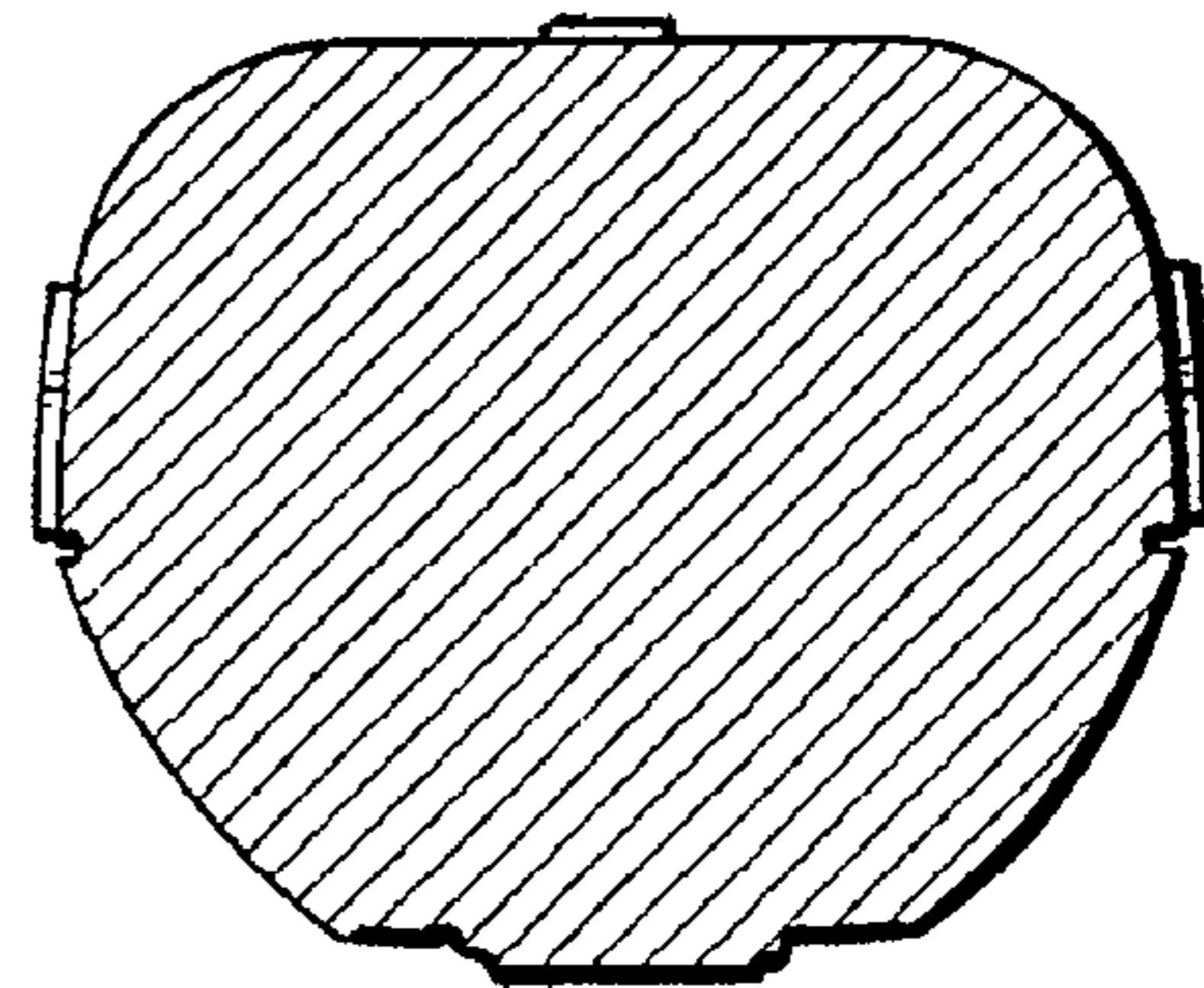


FIG. 9

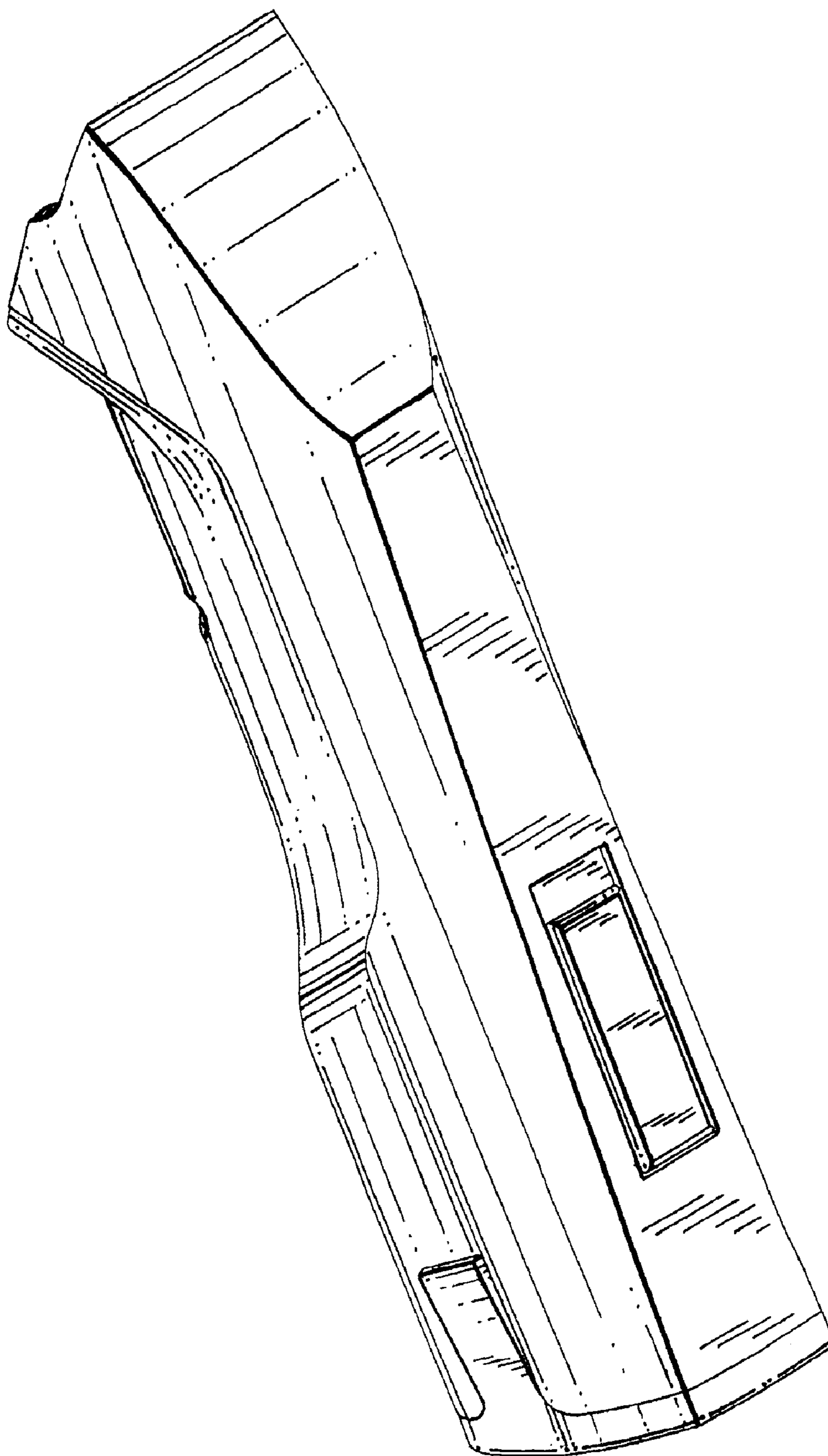


FIG. 10

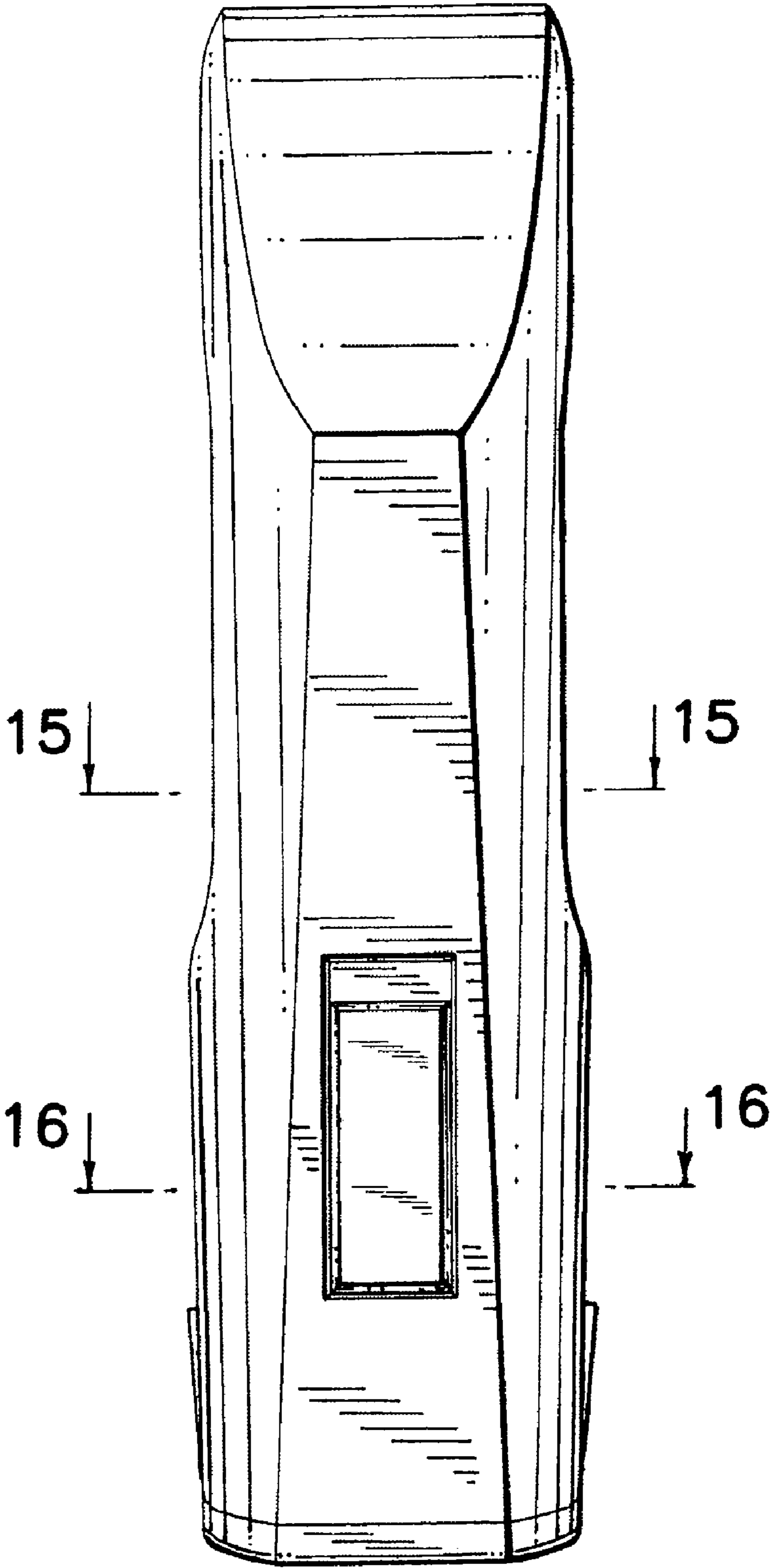


FIG. 11

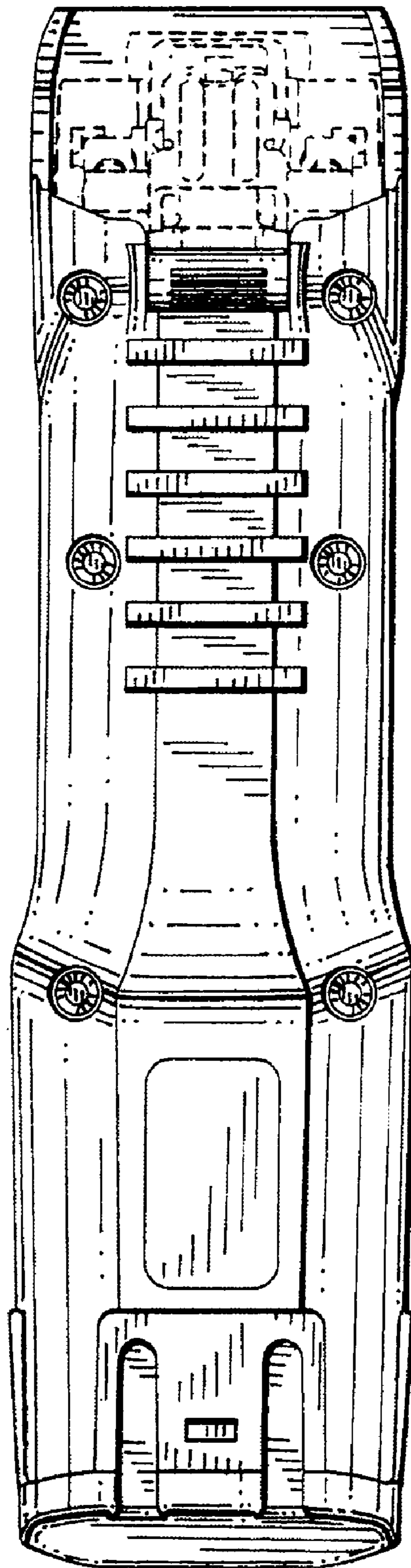


FIG.12

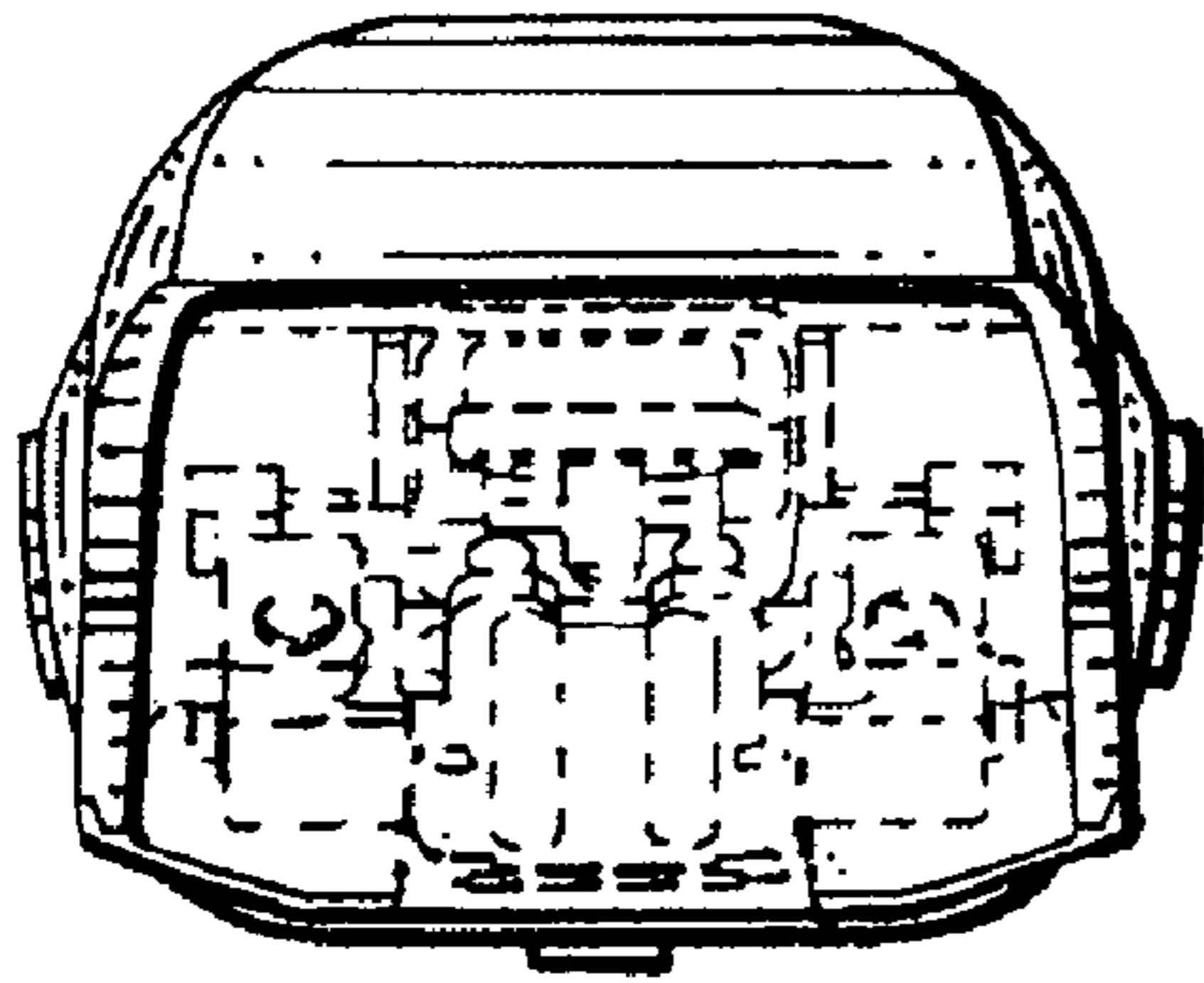


FIG. 13

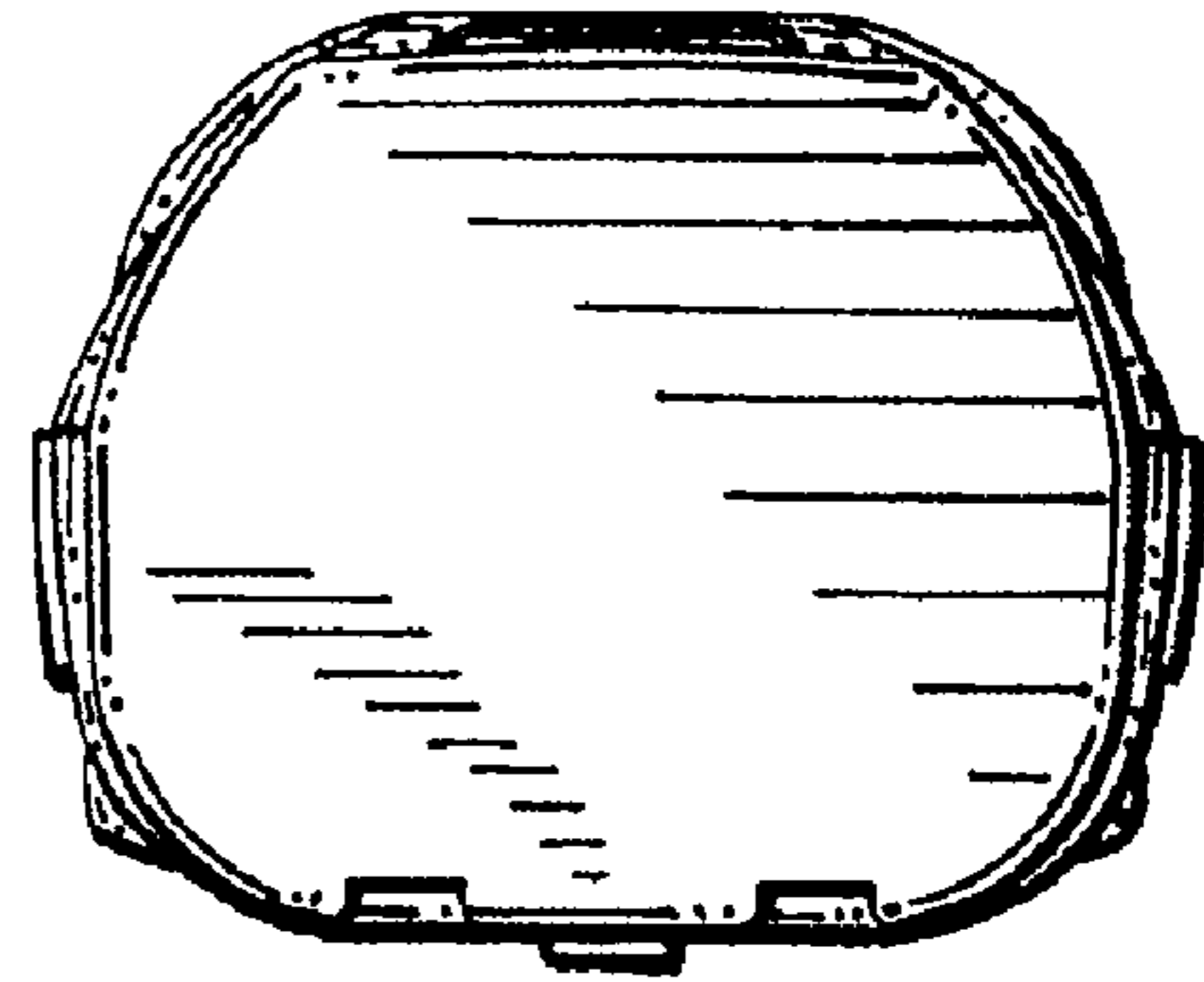


FIG. 14

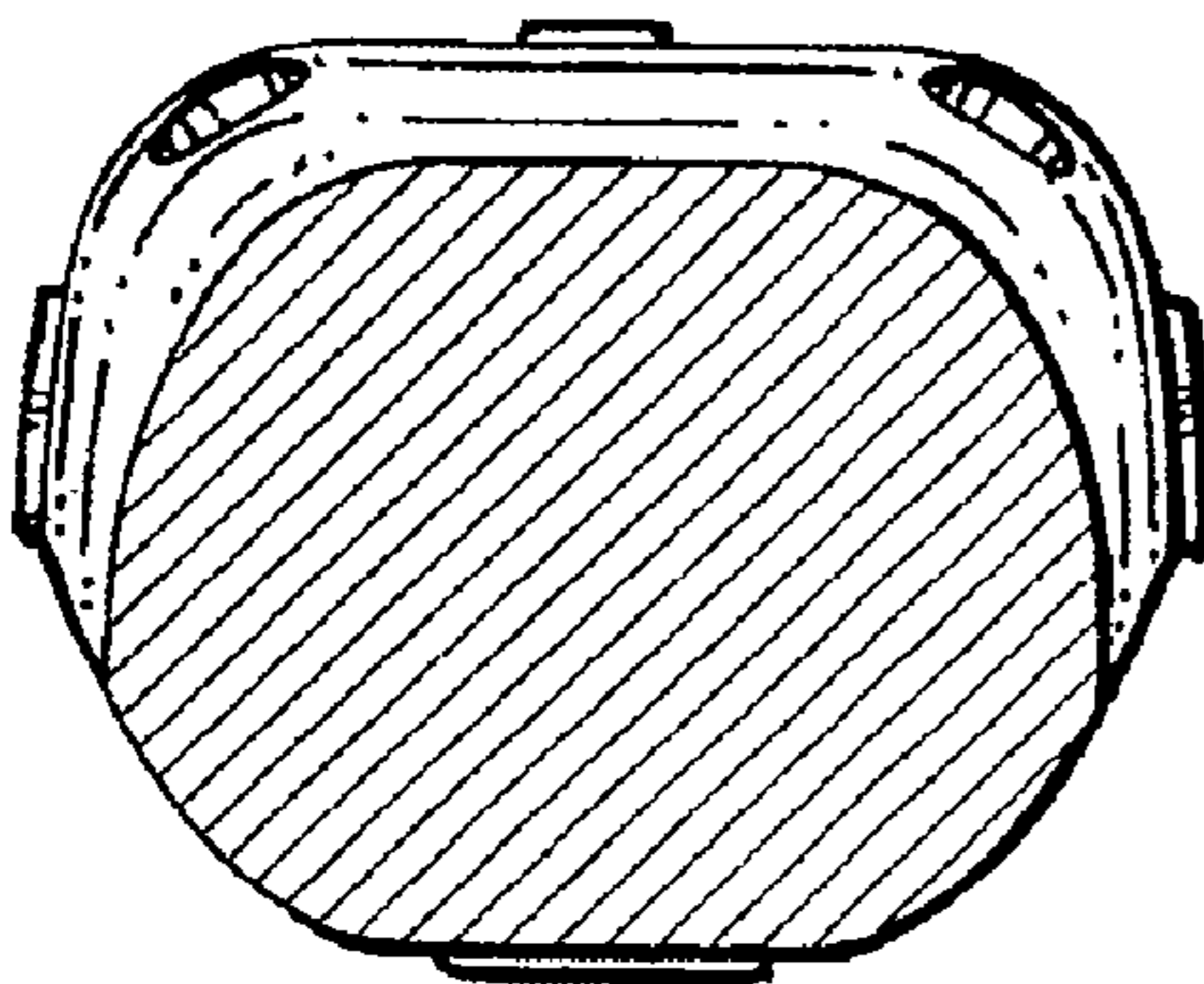


FIG. 15

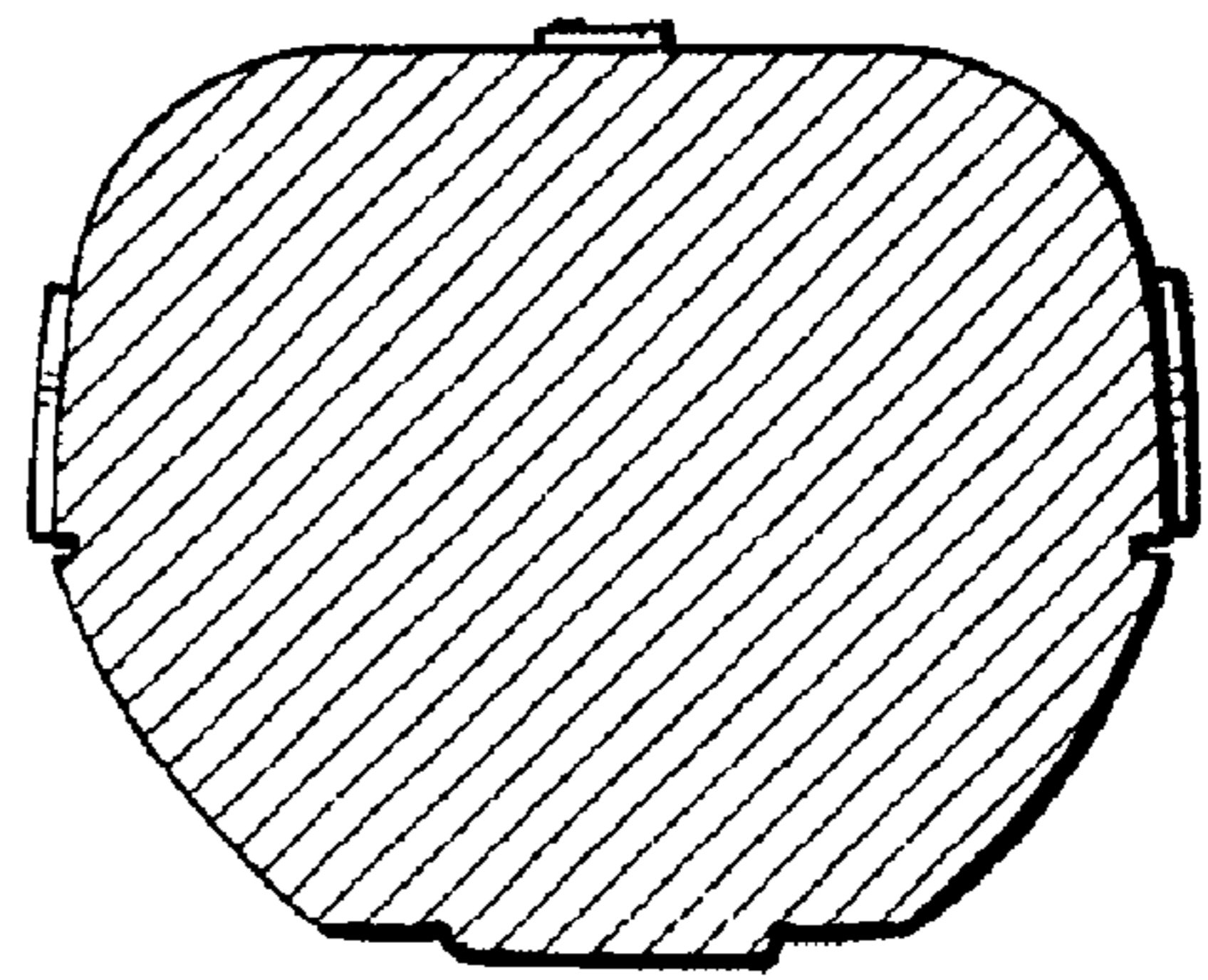


FIG. 16

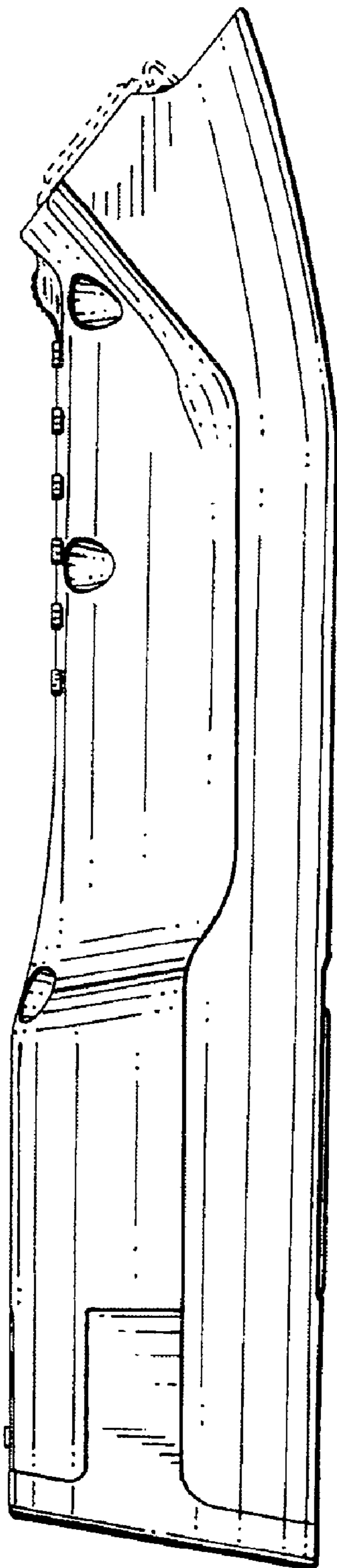


FIG. 17

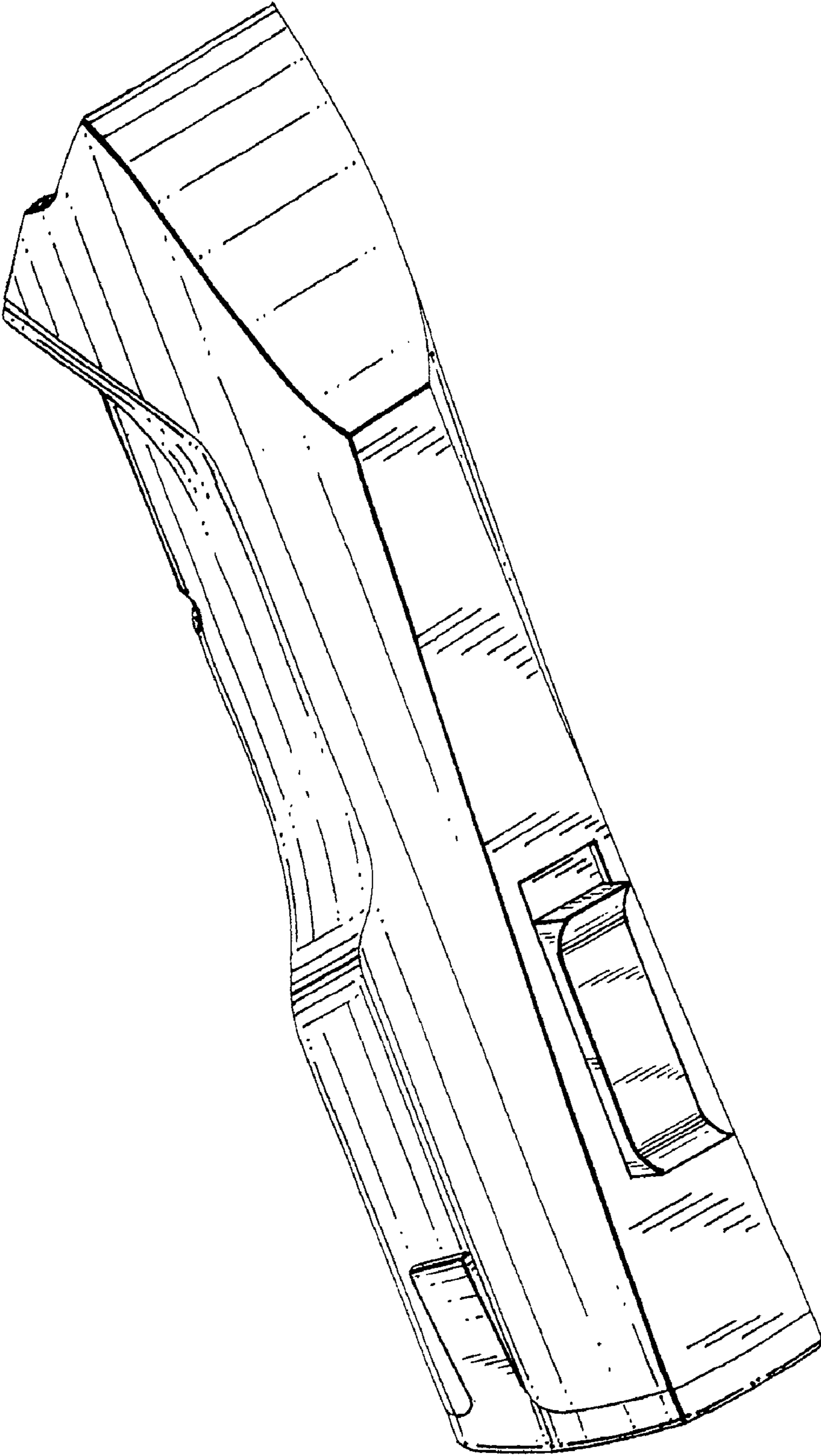


FIG. 18

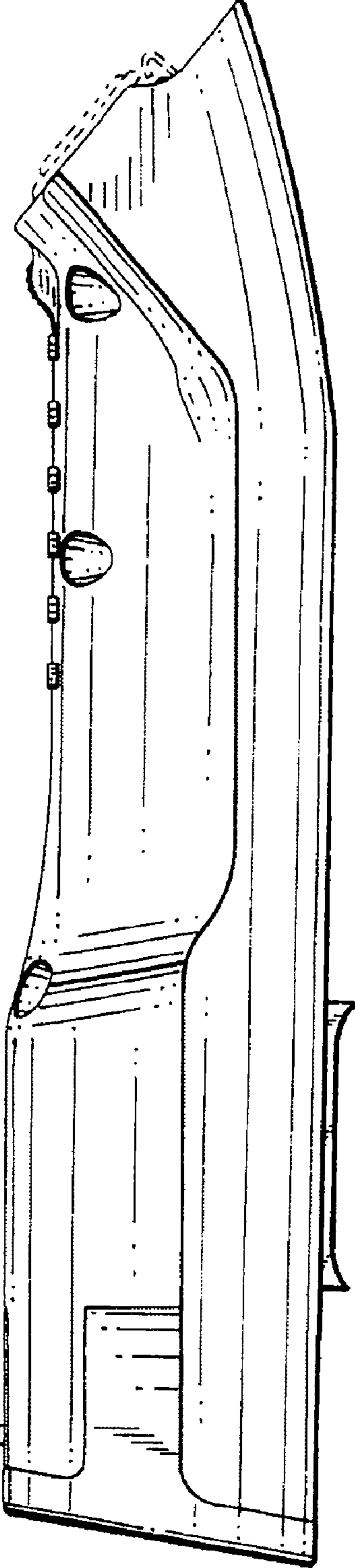


FIG. 19