



US00D626687S

(12) **United States Design Patent**  
**Gibson et al.**

(10) **Patent No.:** **US D626,687 S**

(45) **Date of Patent:** **\*\* Nov. 2, 2010**

(54) **TOBACCO BOX**

(75) Inventors: **Paul Gibson**, London (GB); **Aaron McKenzie**, London (GB)

(73) Assignee: **British American Tobacco (Investments) Limited**, London (GB)

(\*\*) Term: **14 Years**

(21) Appl. No.: **29/360,177**

(22) Filed: **Apr. 21, 2010**

**Related U.S. Application Data**

(62) Division of application No. 29/332,981, filed on Feb. 27, 2009.

(30) **Foreign Application Priority Data**

Aug. 29, 2008 (EM) ..... 000996269-001  
Aug. 29, 2008 (EM) ..... 000996269-002  
Aug. 29, 2008 (EM) ..... 000996269-003

(51) **LOC (9) Cl.** ..... **27-04**

(52) **U.S. Cl.** ..... **D27/183; D27/186; D27/189**

(58) **Field of Classification Search** ..... D27/172,  
D27/183, 186, 189, 190; 131/329; 206/242;  
D9/504

See application file for complete search history.

(56) **References Cited**

**U.S. PATENT DOCUMENTS**

D2,961 S \* 3/1868 Bull ..... D27/190

D3,443 S \* 4/1869 Parker ..... D27/190  
D114,760 S \* 5/1939 Johnson ..... D27/189  
D120,559 S \* 5/1940 Vendig ..... D27/189  
D398,716 S \* 9/1998 Schoen ..... D27/189  
D494,474 S \* 8/2004 Houk et al. .... D9/504  
D563,596 S \* 3/2008 Neias ..... D27/189  
D599,953 S \* 9/2009 Gibson et al. .... D27/190

\* cited by examiner

*Primary Examiner*—Dominic Simone

(74) *Attorney, Agent, or Firm*—Chadbourne & Parke LLP;  
Walter G. Hanchuk

(57) **CLAIM**

The ornamental design for a tobacco box, as shown and described.

**DESCRIPTION**

FIG. 1 provides an above front perspective view showing the new design of a tobacco box;

FIG. 2 provides an above front perspective view thereof with top lid removed;

FIG. 3 provides a below front perspective view thereof with bottom lid removed;

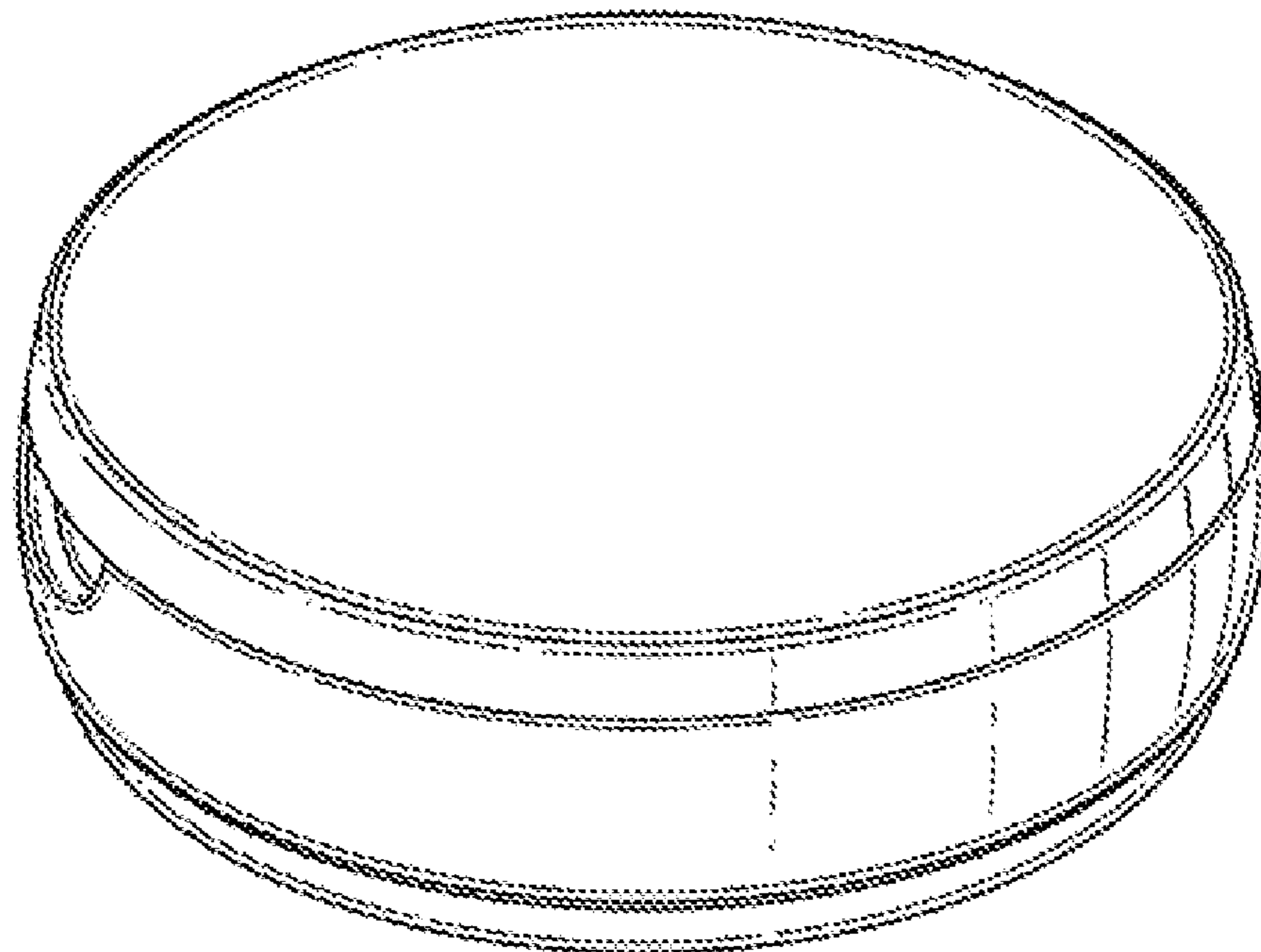
FIG. 4 provides an above view thereof;

FIG. 5 provides a below view thereof;

FIG. 6 provides a right-side view thereof; and,

FIG. 7 provides a left-side view thereof.

**1 Claim, 2 Drawing Sheets**



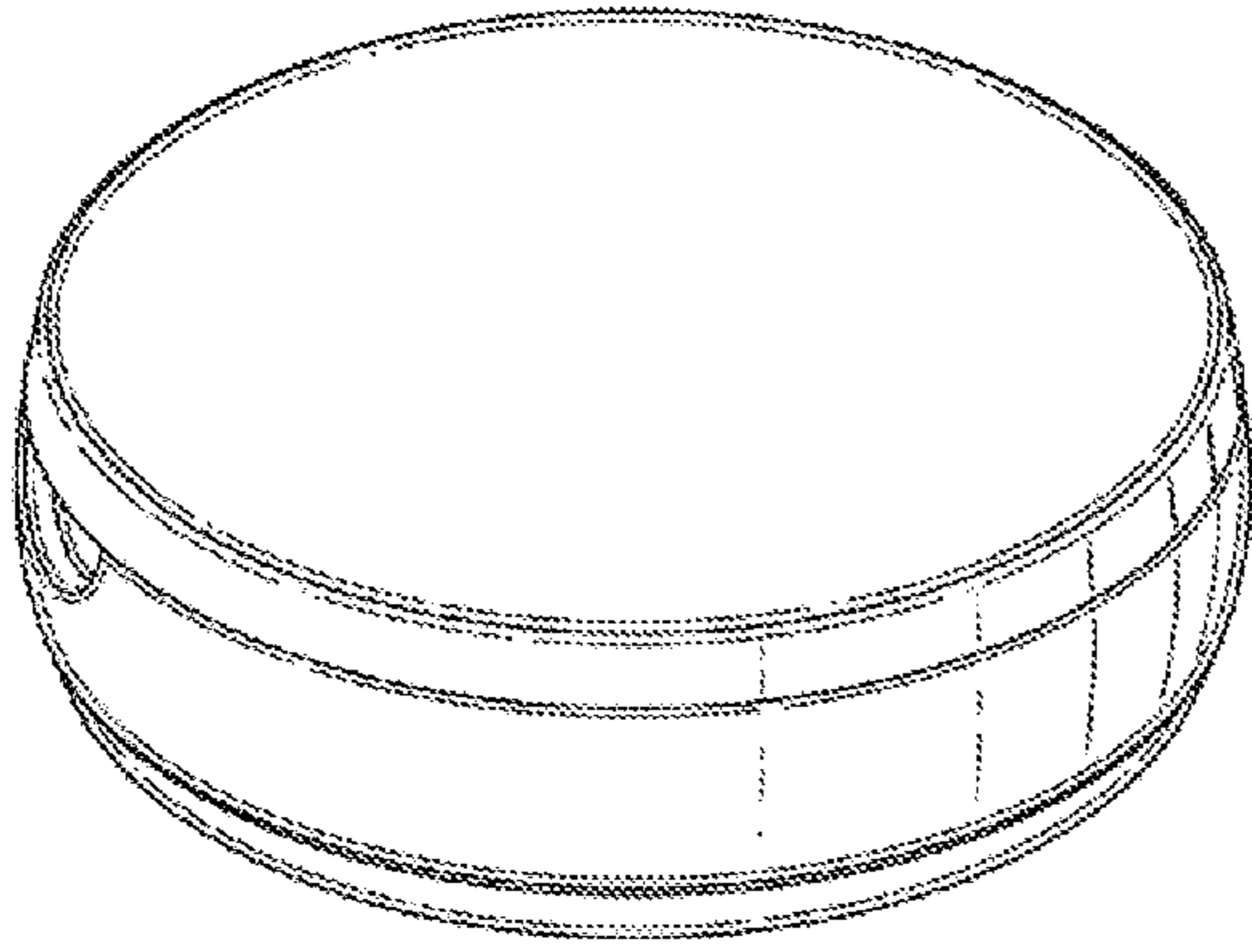


Fig. 1

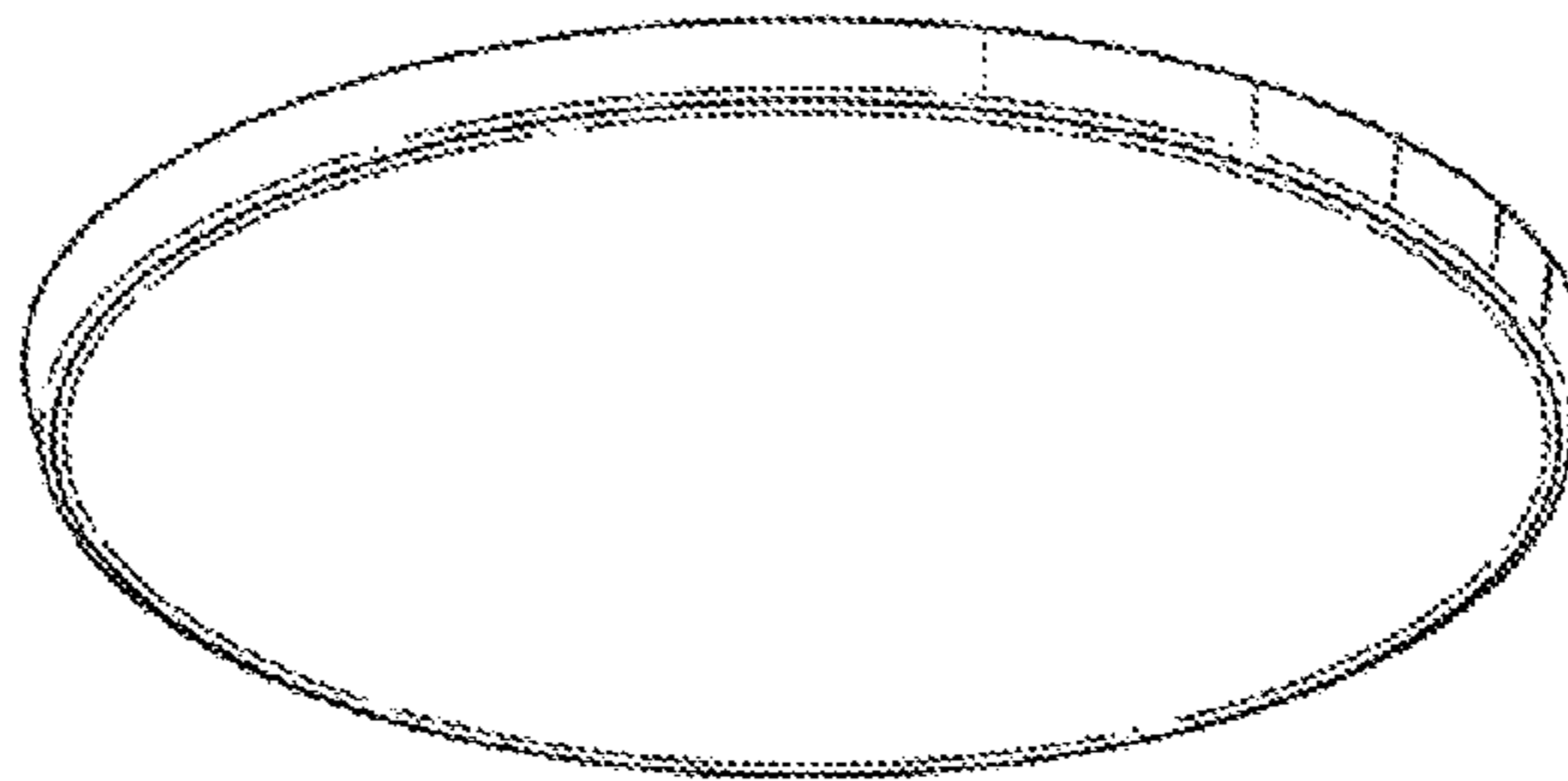
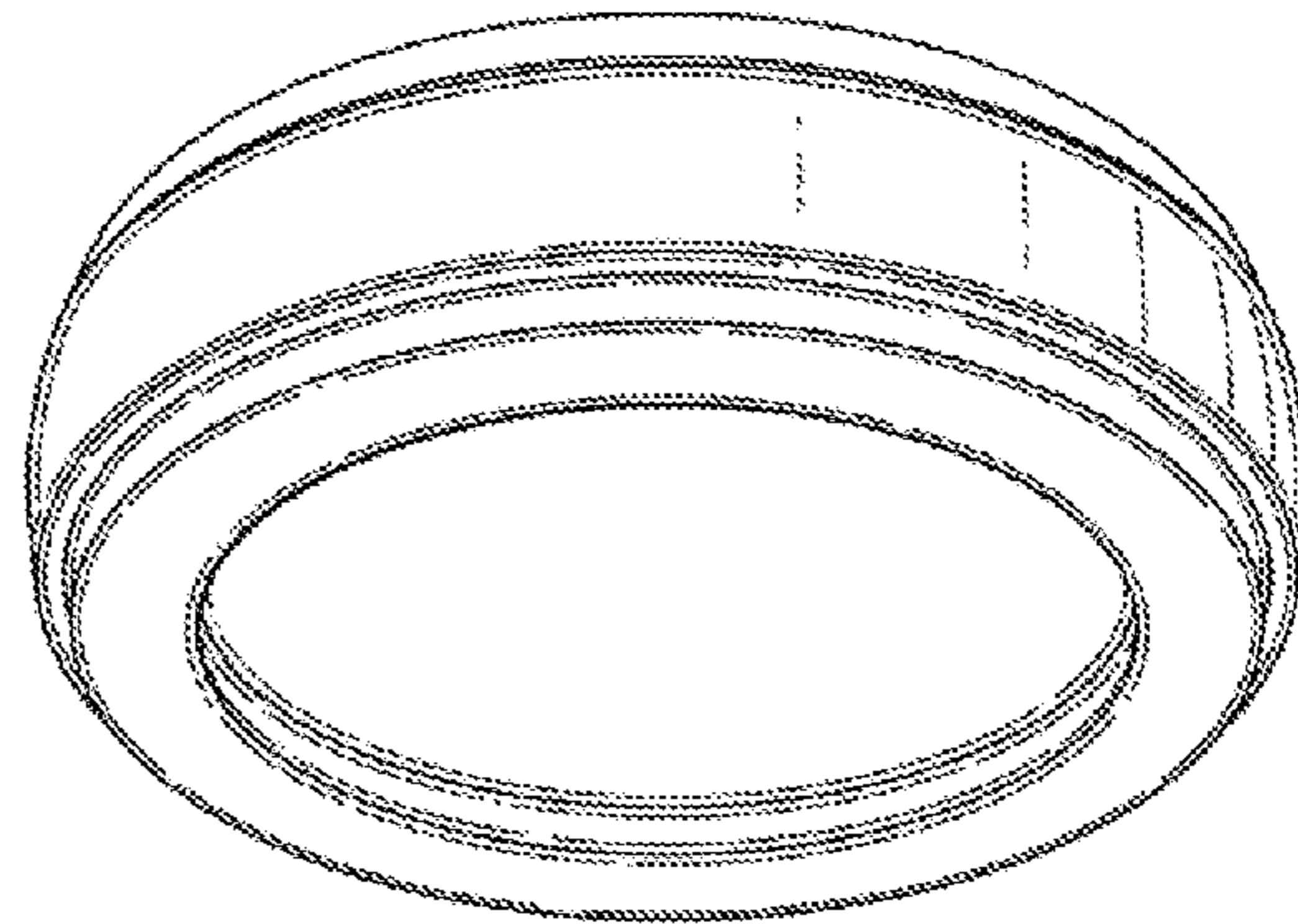


Fig. 3

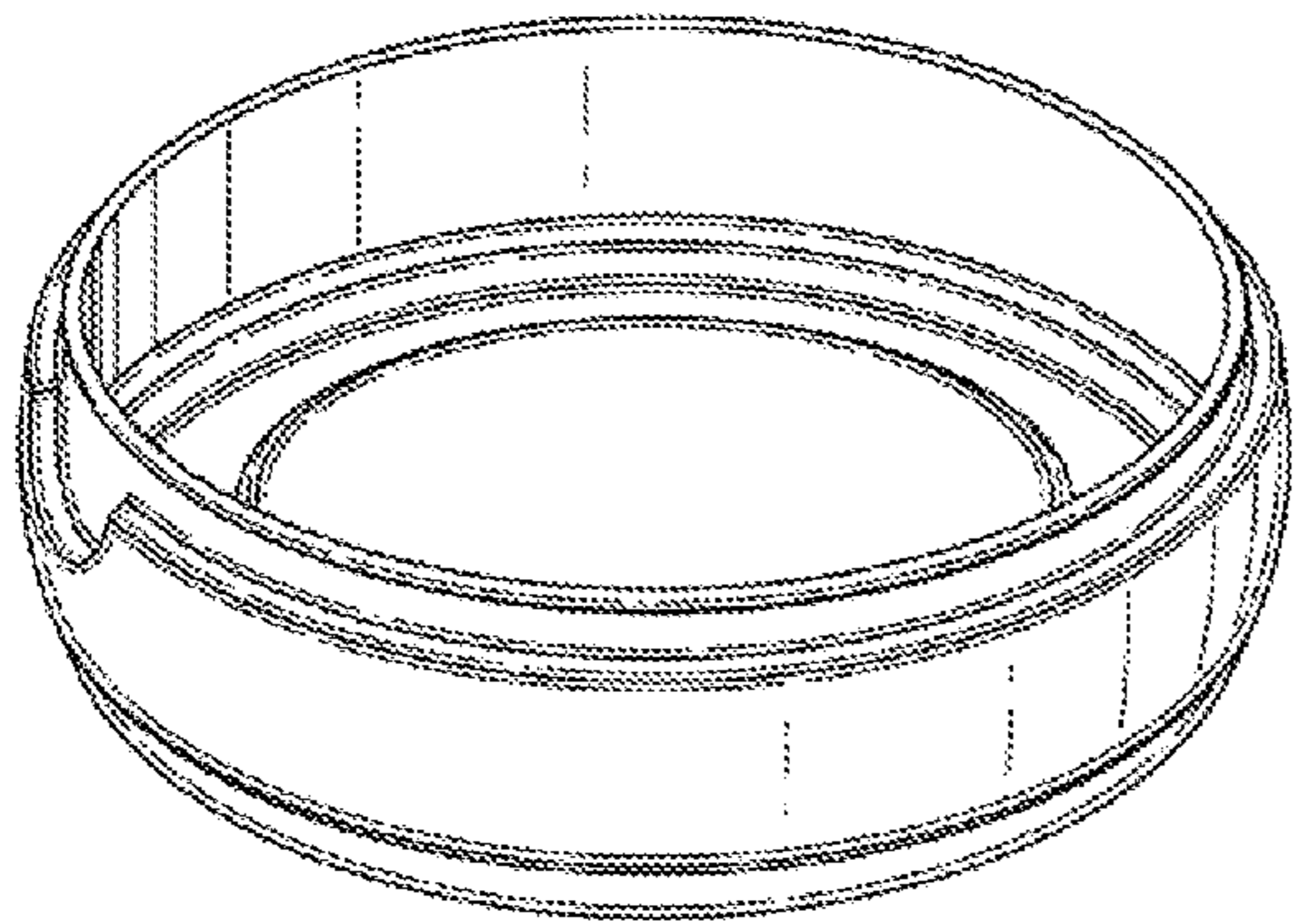
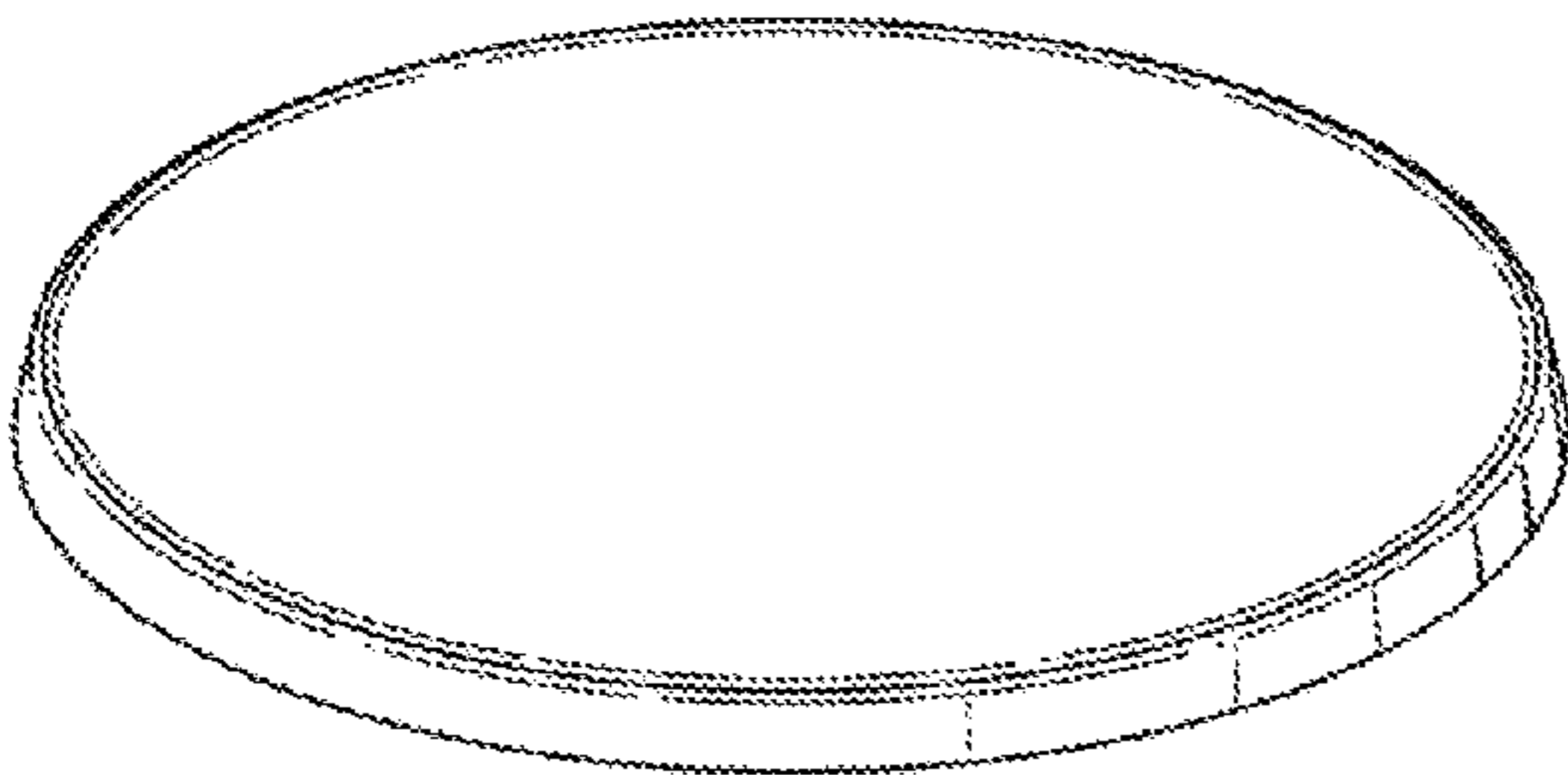


Fig. 2

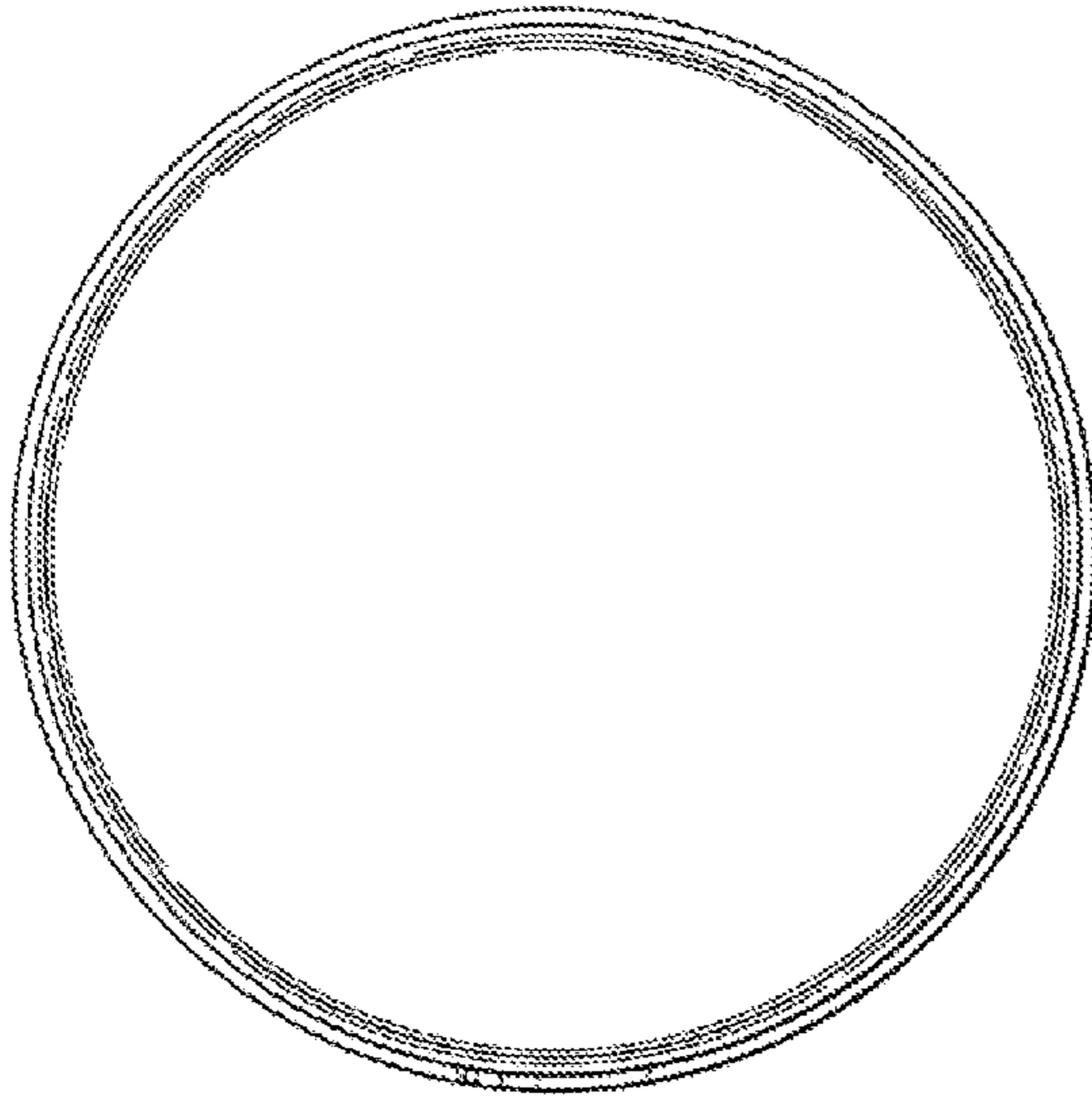


Fig. 4

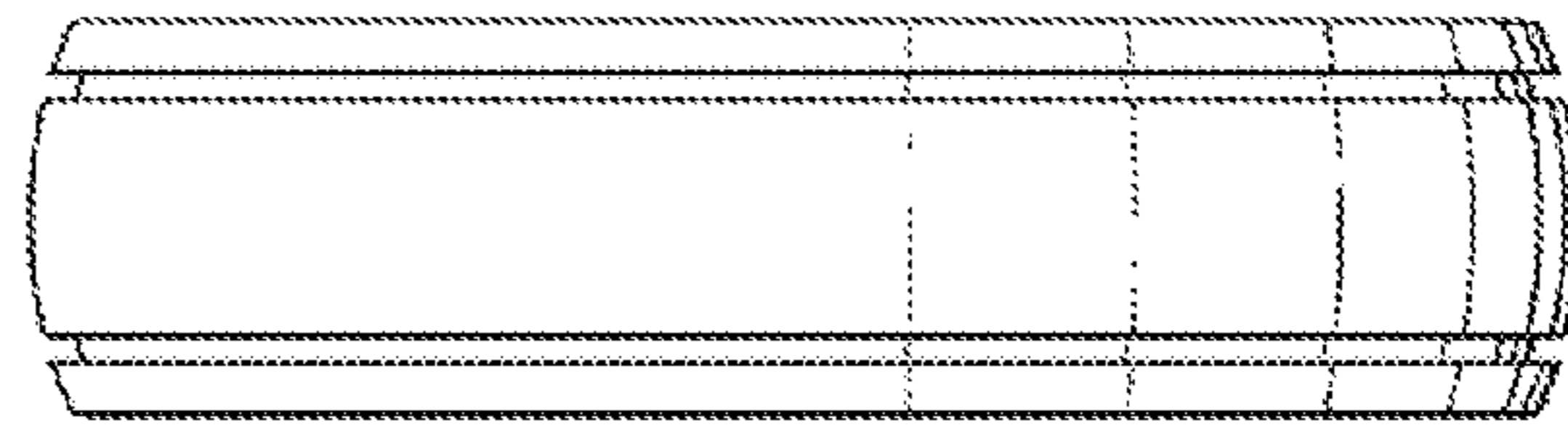


Fig. 6

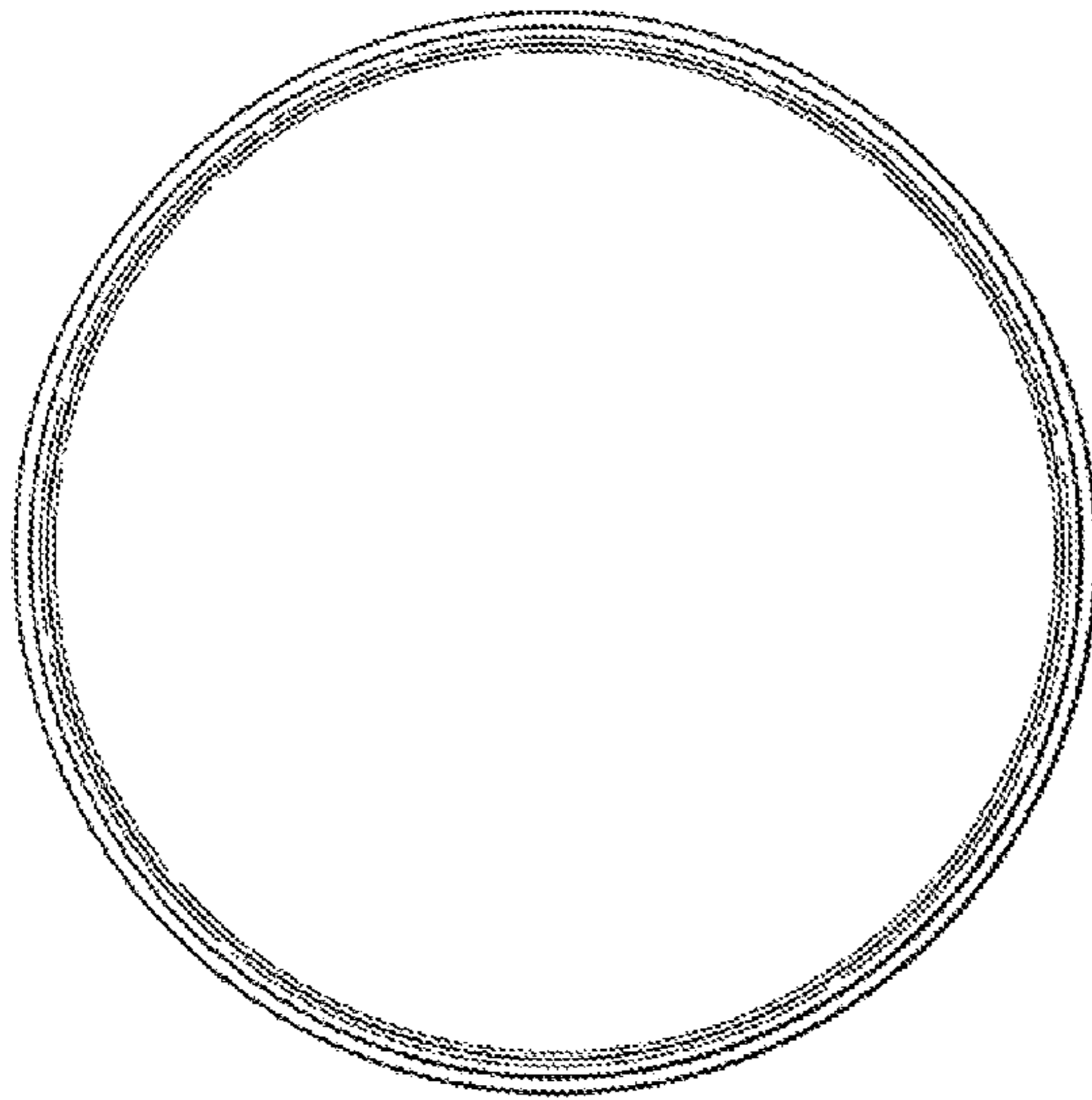


Fig. 5

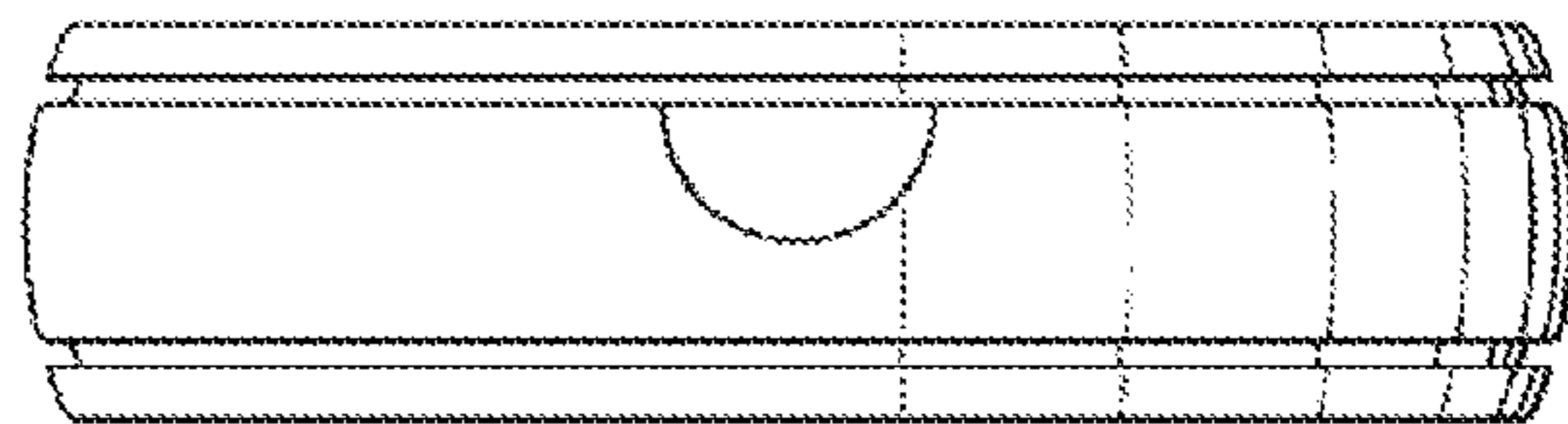


Fig. 7