



US00D626686S

(12) **United States Design Patent**
Daidone et al.

(10) **Patent No.:** **US D626,686 S**

(45) **Date of Patent:** **** Nov. 2, 2010**

(54) **WIND AND SOLAR-POWERED LIGHT POST**

(75) Inventors: **Paul D. Daidone**, Lindenhurst, NY
(US); **Lauren Elizabeth Ascani**,
Mahopac, NY (US)

(73) Assignee: **Duggal Dimensions LLC**, New York,
NY (US)

(**) Term: **14 Years**

(21) Appl. No.: **29/360,680**

(22) Filed: **Apr. 29, 2010**

Related U.S. Application Data

(63) Continuation of application No. 29/353,640, filed on
Jan. 12, 2010, now abandoned, which is a continuation
of application No. 29/332,955, filed on Feb. 27, 2009,
now Pat. No. Des. 610,732.

(51) **LOC (9) Cl.** **26-99**

(52) **U.S. Cl.** **D26/155; D26/145**

(58) **Field of Classification Search** D26/87,
D26/92, 145, 155; D25/127, 134; 362/431,
362/432; 248/218.4, 222.51; 52/146; 174/45 R
See application file for complete search history.

(56) **References Cited**

U.S. PATENT DOCUMENTS

| | | | |
|--------------|---------|------------------|---------|
| 168,705 A | 10/1875 | Barcellos | |
| 636,327 A | 11/1899 | Fletcher | |
| D42,281 S | 3/1912 | Grelle | |
| D42,688 S | 7/1912 | Grelle | |
| D78,342 S | 4/1929 | Collins | |
| D81,667 S | 7/1930 | Scotti | |
| D173,068 S * | 9/1954 | Harsh | D26/145 |
| D174,883 S | 5/1955 | Millerbernd | |
| 2,750,142 A | 6/1956 | McKee | |
| 2,907,543 A | 10/1959 | Heinzen | |
| 3,050,602 A | 8/1962 | Schlosser et al. | |
| D210,485 S | 3/1968 | Rhude | |
| D211,177 S | 5/1968 | Dake | |
| D213,519 S | 3/1969 | Vesely | |

| | | | |
|---------------|---------|----------------|----------|
| 3,439,107 A * | 4/1969 | Scott | 174/45 R |
| D214,944 S | 8/1969 | Vesely | |
| 3,571,991 A * | 3/1971 | Doocy et al. | 52/40 |
| D223,399 S | 4/1972 | Selden | |
| 3,746,776 A * | 7/1973 | Monahan et al. | 174/45 R |
| 3,975,580 A | 8/1976 | Lewis | |
| 4,200,904 A | 4/1980 | Doan | |
| 4,229,941 A | 10/1980 | Hope | |
| 4,281,369 A | 7/1981 | Batte | |
| 4,433,544 A | 2/1984 | Wells et al. | |
| 4,551,631 A | 11/1985 | Trigilio | |
| 4,679,672 A * | 7/1987 | Seddon et al. | 174/45 R |

(Continued)

OTHER PUBLICATIONS

Spreadsheet of product comparisons (3 pages) (unknown publication
date, if any).

Primary Examiner—Clare E Heflin

(74) *Attorney, Agent, or Firm*—McGuirewoods LLP

(57) **CLAIM**

We claim the ornamental design for a wind and solar-powered
light post, as shown and described.

DESCRIPTION

FIG. 1 is a perspective view of the wind and solar-powered
light post showing our new design;

FIG. 2 is a side elevation view thereof;

FIG. 3 is an opposite side elevation view thereof;

FIG. 4 is a front elevation view thereof;

FIG. 5 is a rear elevation view thereof;

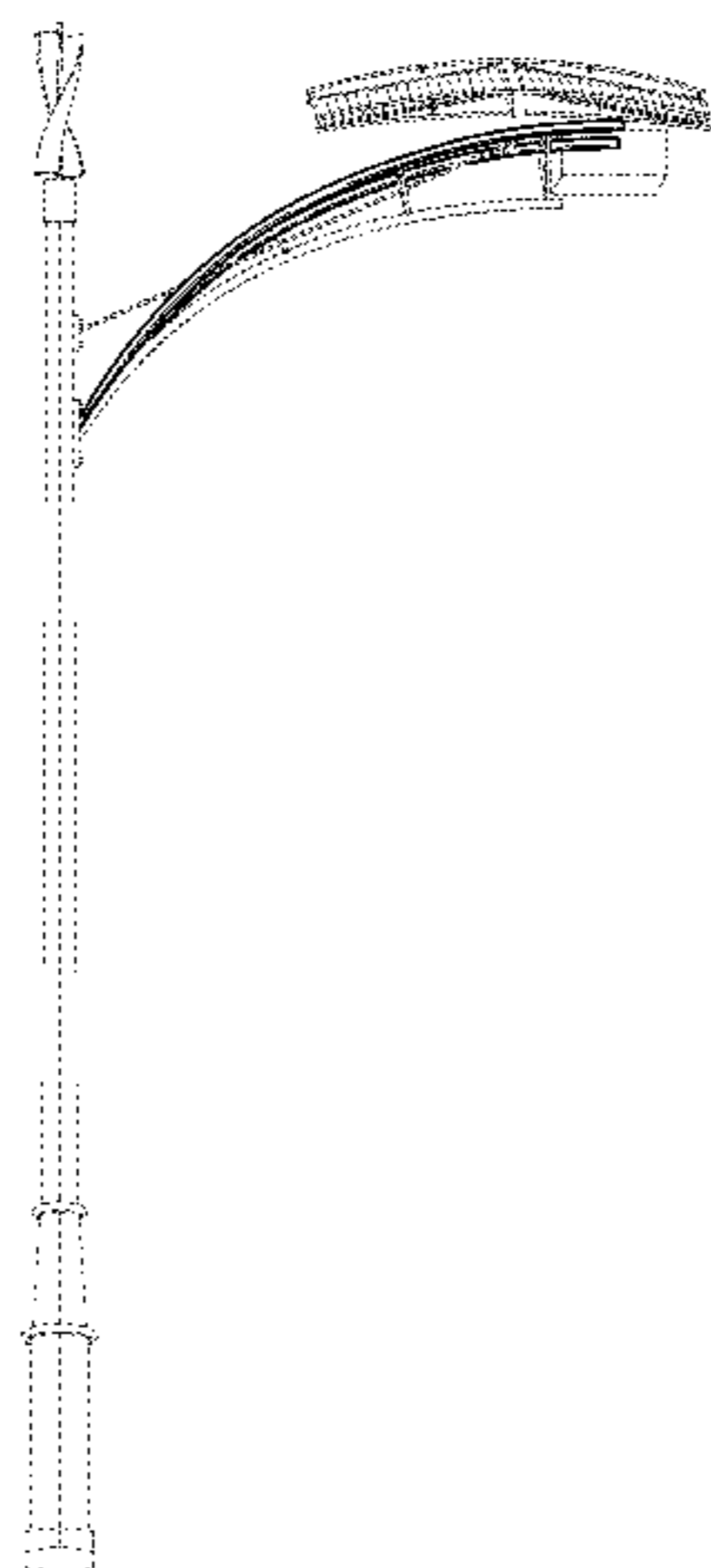
FIG. 6 is a top plan view thereof;

FIG. 7 is a bottom plan view thereof; and,

FIG. 8 is the bottom plan view of FIG. 7, except with certain
environmental aspects minimized to show more clearly the
ornamental design as claimed.

The broken lines shown on the drawings depict environment
only and form no part of the claimed design.

1 Claim, 4 Drawing Sheets



US D626,686 S

Page 2

| U.S. PATENT DOCUMENTS | | | | | | |
|-----------------------|------|---------|--------------|------|---------|------------------------------|
| | | | 7,321,173 | B2 | 1/2008 | Mann |
| | | | RE40,228 | E * | 4/2008 | Savoca 362/431 |
| 4,972,094 | A | 11/1990 | 7,453,167 | B2 | 11/2008 | Gilbert |
| 5,075,564 | A | 12/1991 | 7,518,253 | B2 | 4/2009 | Kuelbs |
| 5,103,646 | A | 4/1992 | 7,560,642 | B2 * | 7/2009 | Ygnelzi et al. 174/45 R |
| D332,669 | S | 1/1993 | D598,598 | S | 8/2009 | Zhou et al. |
| 5,254,876 | A | 10/1993 | D609,381 | S | 2/2010 | Laporte |
| D353,014 | S | 11/1994 | 2005/0068765 | A1 | 3/2005 | Ertze Encinas et al. |
| D387,881 | S * | 12/1997 | 2005/0132624 | A1 | 6/2005 | Gao et al. |
| D404,842 | S | 1/1999 | 2007/0090653 | A1 | 4/2007 | Martelon |
| 6,082,877 | A | 7/2000 | 2008/0037243 | A1 | 2/2008 | Discoe et al. |
| D440,704 | S | 4/2001 | 2008/0094818 | A1 | 4/2008 | Harris |
| D444,585 | S | 7/2001 | 2008/0143117 | A1 | 6/2008 | Shen et al. |
| D458,702 | S | 6/2002 | 2008/0150291 | A1 | 6/2008 | Fein et al. |
| D470,965 | S | 2/2003 | 2008/0298051 | A1 | 12/2008 | Chu |
| D482,481 | S | 11/2003 | 2009/0040750 | A1 | 2/2009 | Myer |
| 6,661,113 | B1 | 12/2003 | 2009/0046460 | A1 | 2/2009 | Li |
| D489,472 | S | 5/2004 | 2009/0080182 | A1 | 3/2009 | Huang |
| 6,784,357 | B1 | 8/2004 | 2009/0101135 | A1 | 4/2009 | Tsai |
| D507,068 | S | 7/2005 | 2009/0128085 | A1 | 5/2009 | Yang |
| D508,581 | S | 8/2005 | 2009/0196038 | A1 | 8/2009 | Vargas Maciel |
| 7,045,702 | B2 | 5/2006 | 2009/0231838 | A1 | 9/2009 | Kim |
| 7,057,103 | B1 * | 6/2006 | 2009/0237918 | A1 | 9/2009 | Yang |
| 7,157,642 | B2 * | 1/2007 | | | | |
| | | | | | | * cited by examiner |

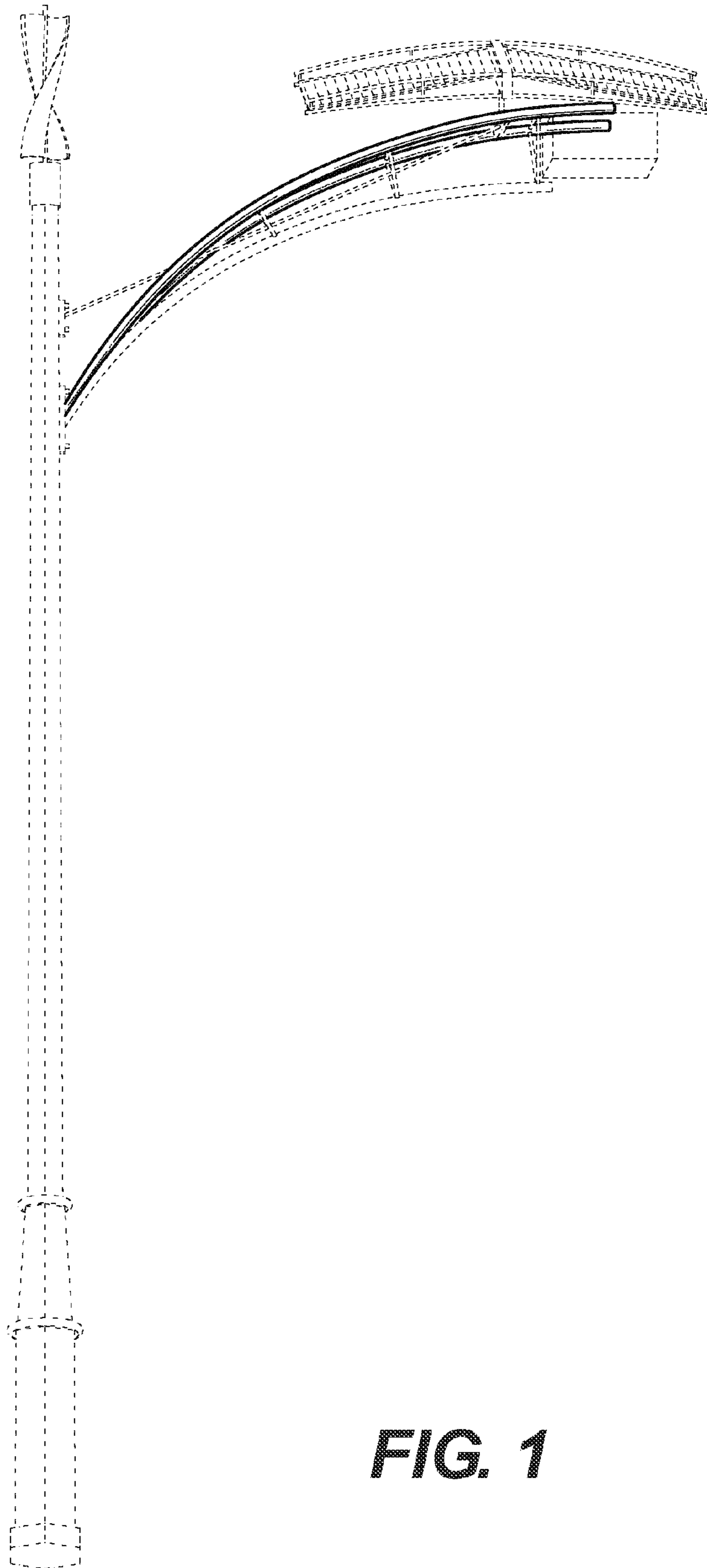


FIG. 1

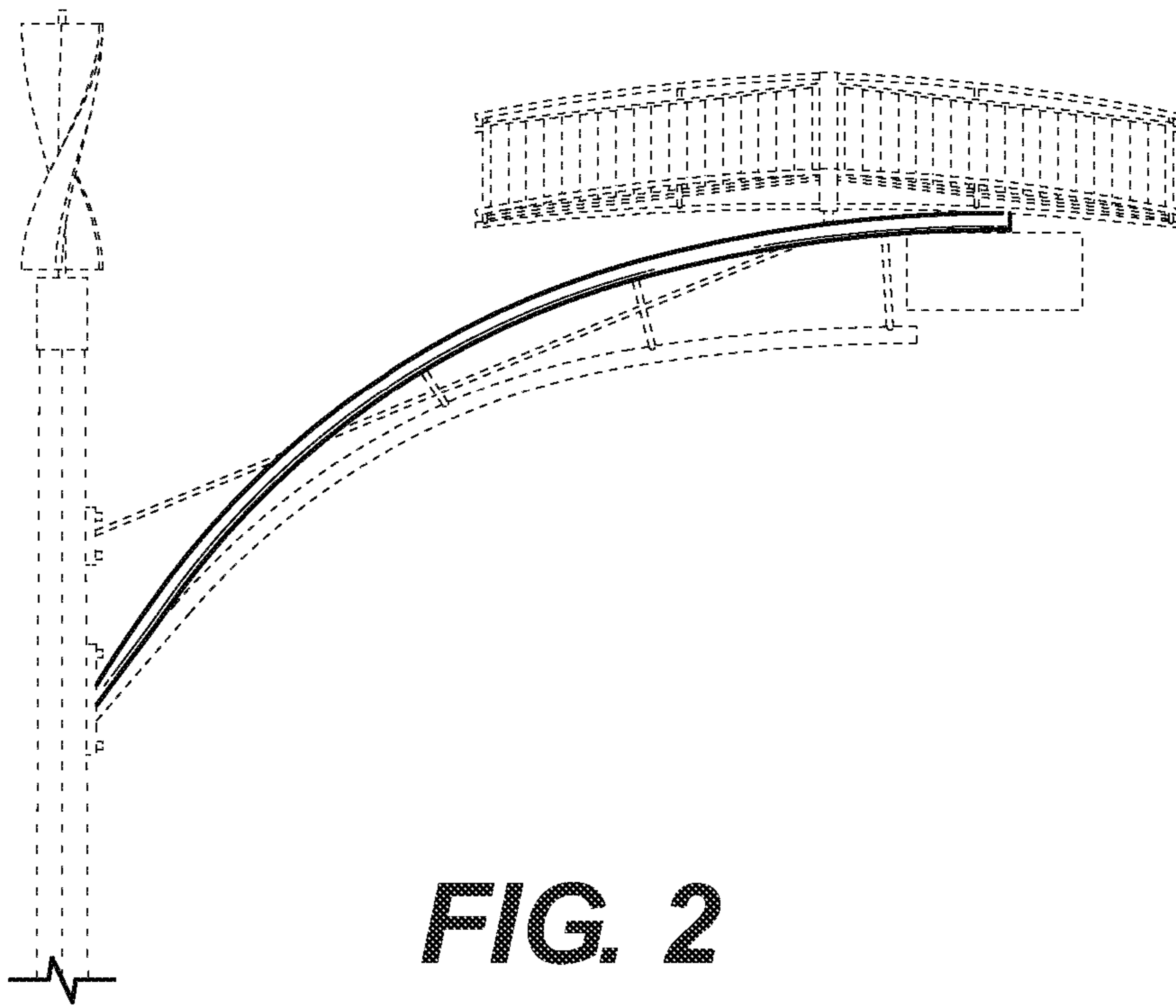


FIG. 2

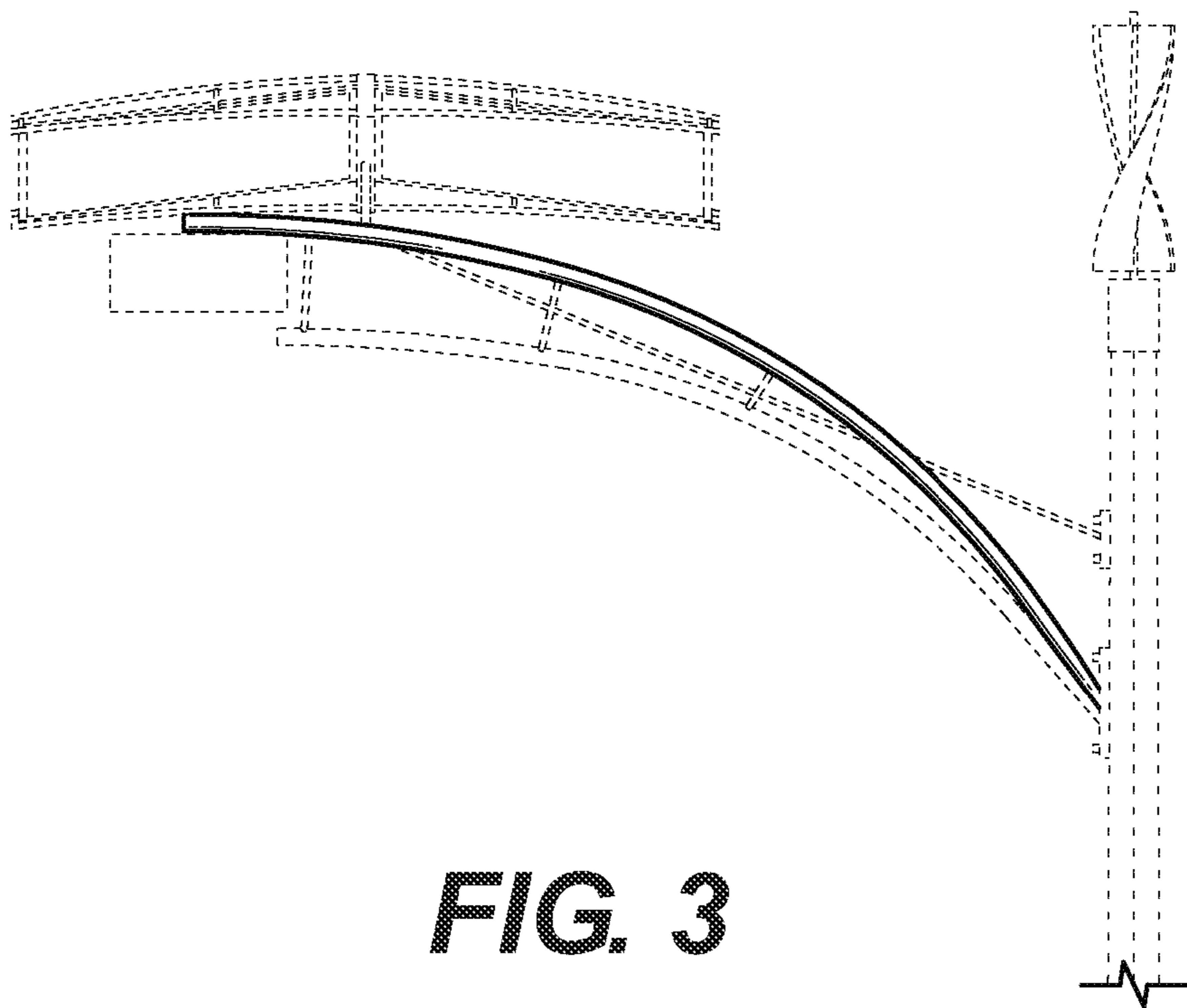


FIG. 3

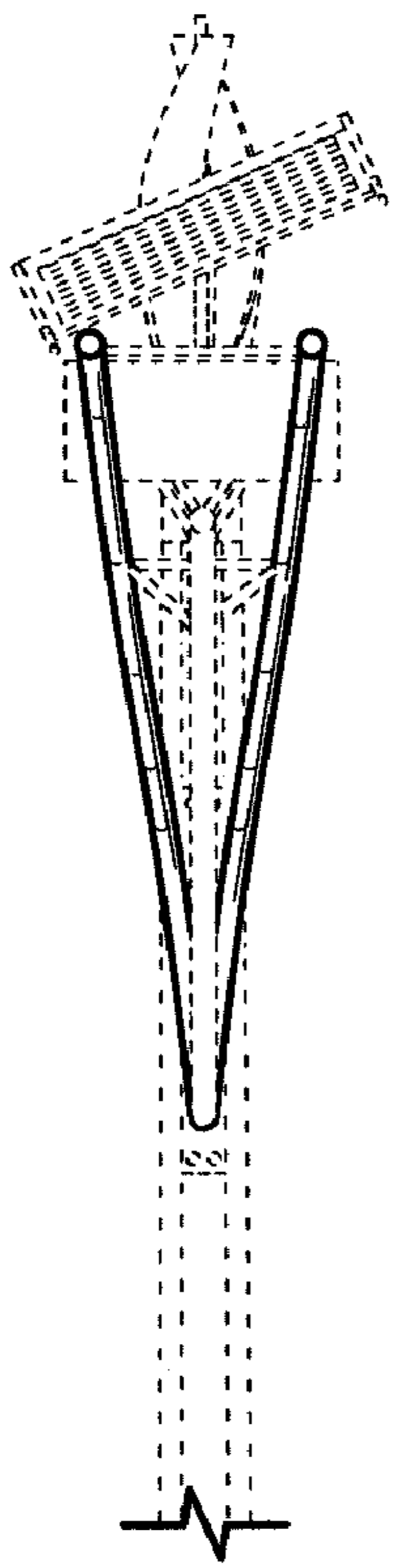


FIG. 4

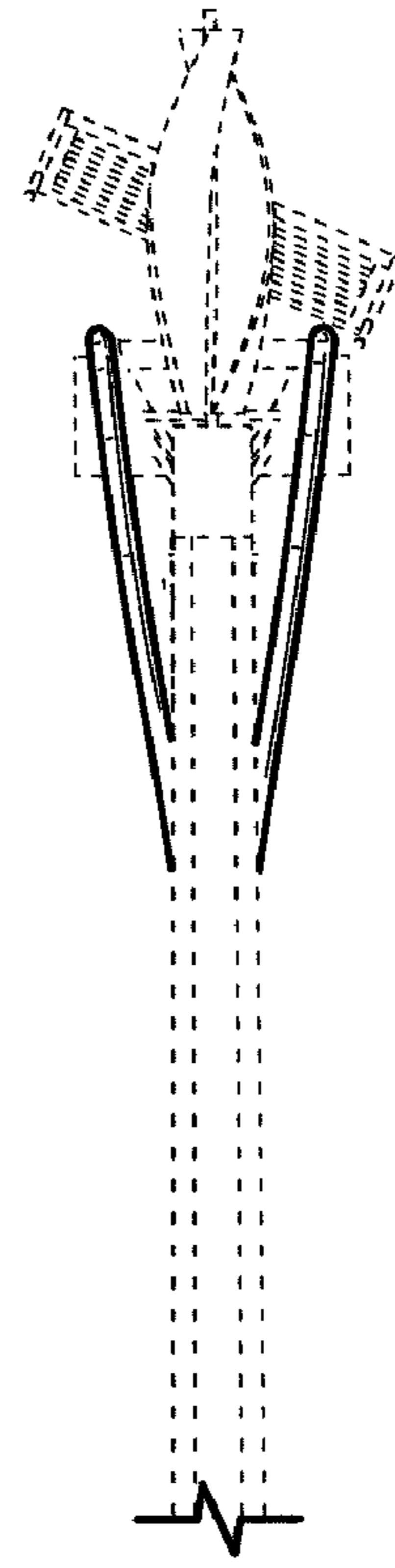


FIG. 5

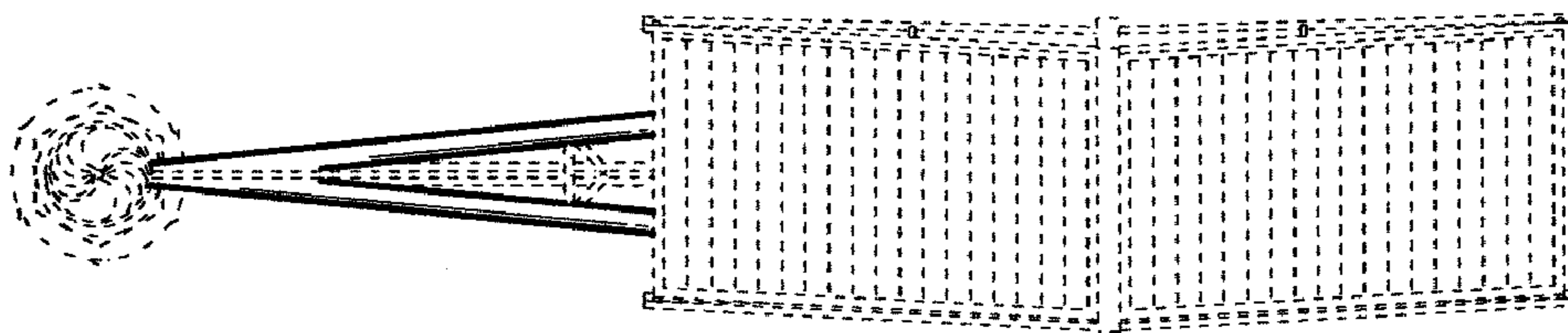


FIG. 6

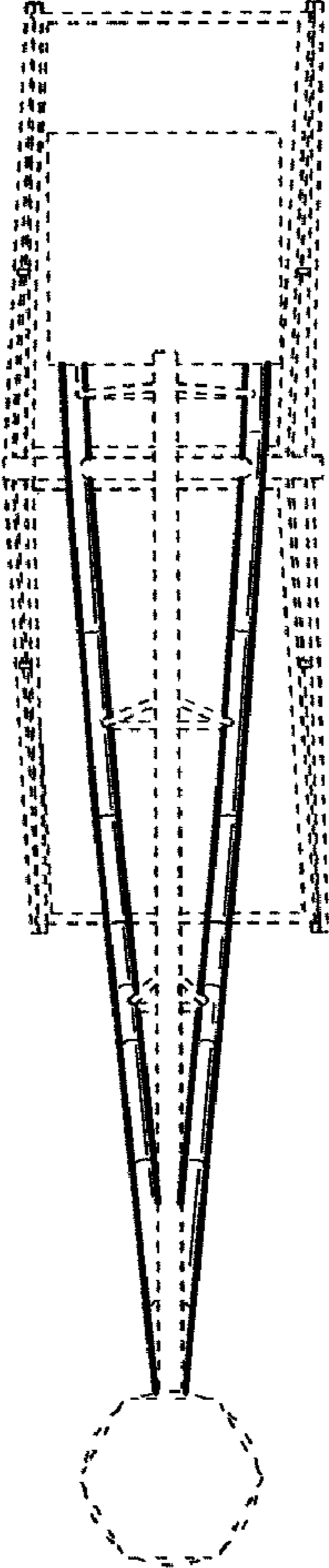


FIG. 7

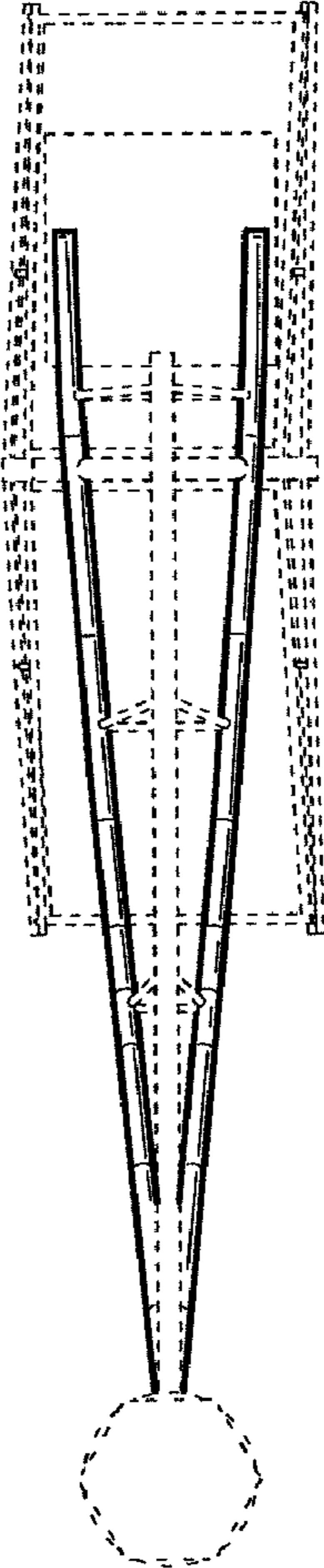


FIG. 8