



US00D626682S

(12) **United States Design Patent**  
**Cost**

(10) **Patent No.:** **US D626,682 S**  
(45) **Date of Patent:** **\*\* Nov. 2, 2010**

(54) **BEZEL**

D564,110 S \* 3/2008 Huang ..... D26/31  
D603,536 S \* 11/2009 Tsai et al. .... D26/31

(75) Inventor: **Evan J. Cost**, Audubon, PA (US)

\* cited by examiner

(73) Assignee: **MEI, Inc.**, West Chester, PA (US)

*Primary Examiner*—Marcus A Jackson

(74) *Attorney, Agent, or Firm*—Rish & Richardson P.C.

(\*\*) Term: **14 Years**

(57) **CLAIM**

(21) Appl. No.: **29/326,313**

The ornamental design for a bezel, substantially as shown and described.

(22) Filed: **Oct. 15, 2008**

**DESCRIPTION**

(51) **LOC (9) Cl.** ..... **26-99**

FIG. 1 is a perspective view of the bezel;

(52) **U.S. Cl.** ..... **D26/139; D26/31**

FIG. 2 is a front view thereof;

(58) **Field of Classification Search** ..... D26/28–36,  
D26/139; 362/459–468, 475–478, 485–487  
See application file for complete search history.

FIG. 3 is a rear view thereof;

FIG. 4 is a right side view thereof;

FIG. 5 is a left side view thereof;

FIG. 6 is a top view thereof; and,

FIG. 7 is a bottom view thereof.

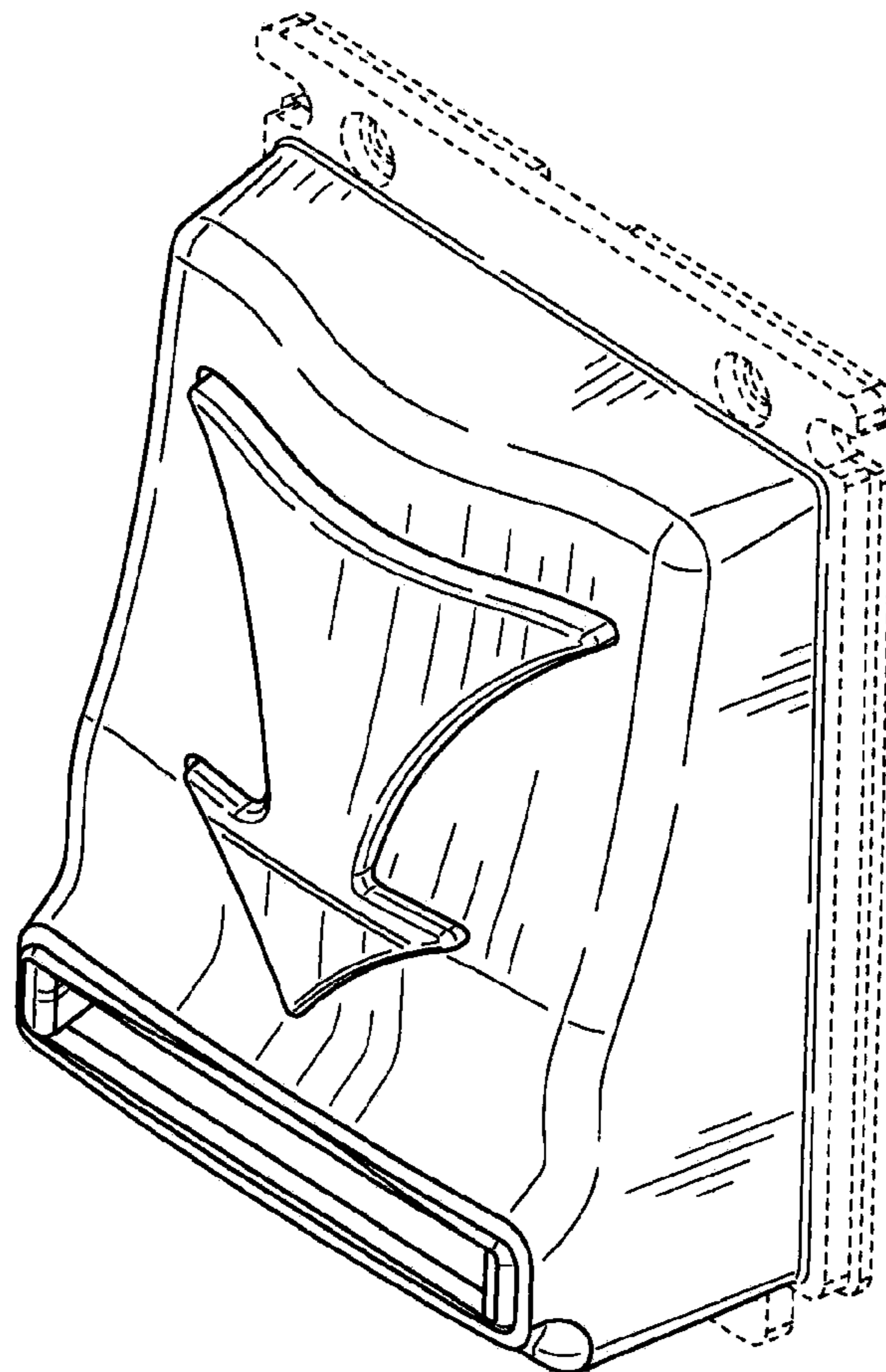
(56) **References Cited**

The broken lines in the drawings form no part of the claimed design.

**U.S. PATENT DOCUMENTS**

D320,666 S \* 10/1991 Brandon ..... D26/31  
D533,678 S \* 12/2006 Conrad ..... D26/139  
D549,387 S \* 8/2007 Special et al. .... D26/139

**1 Claim, 4 Drawing Sheets**



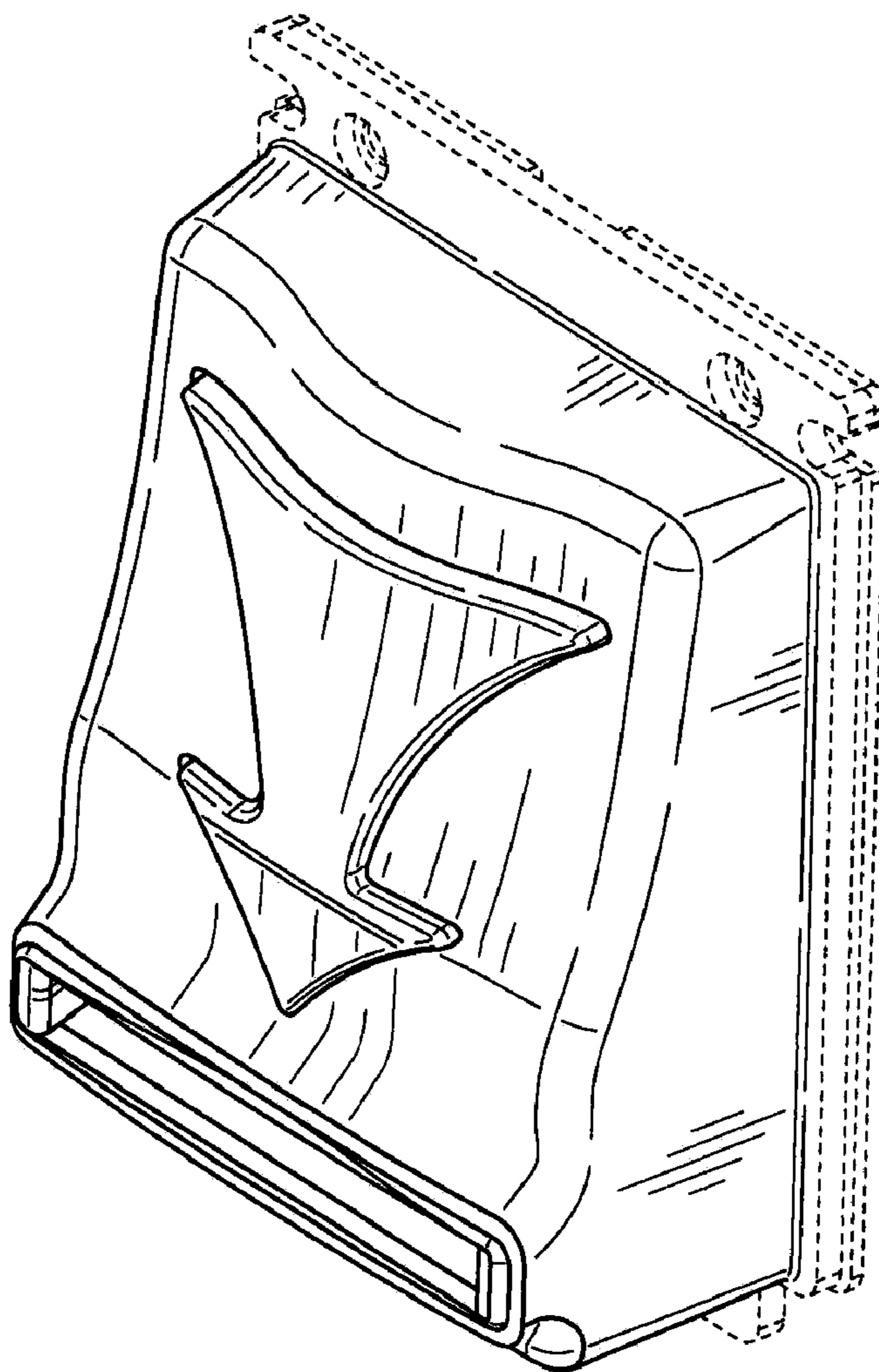


FIG. 1

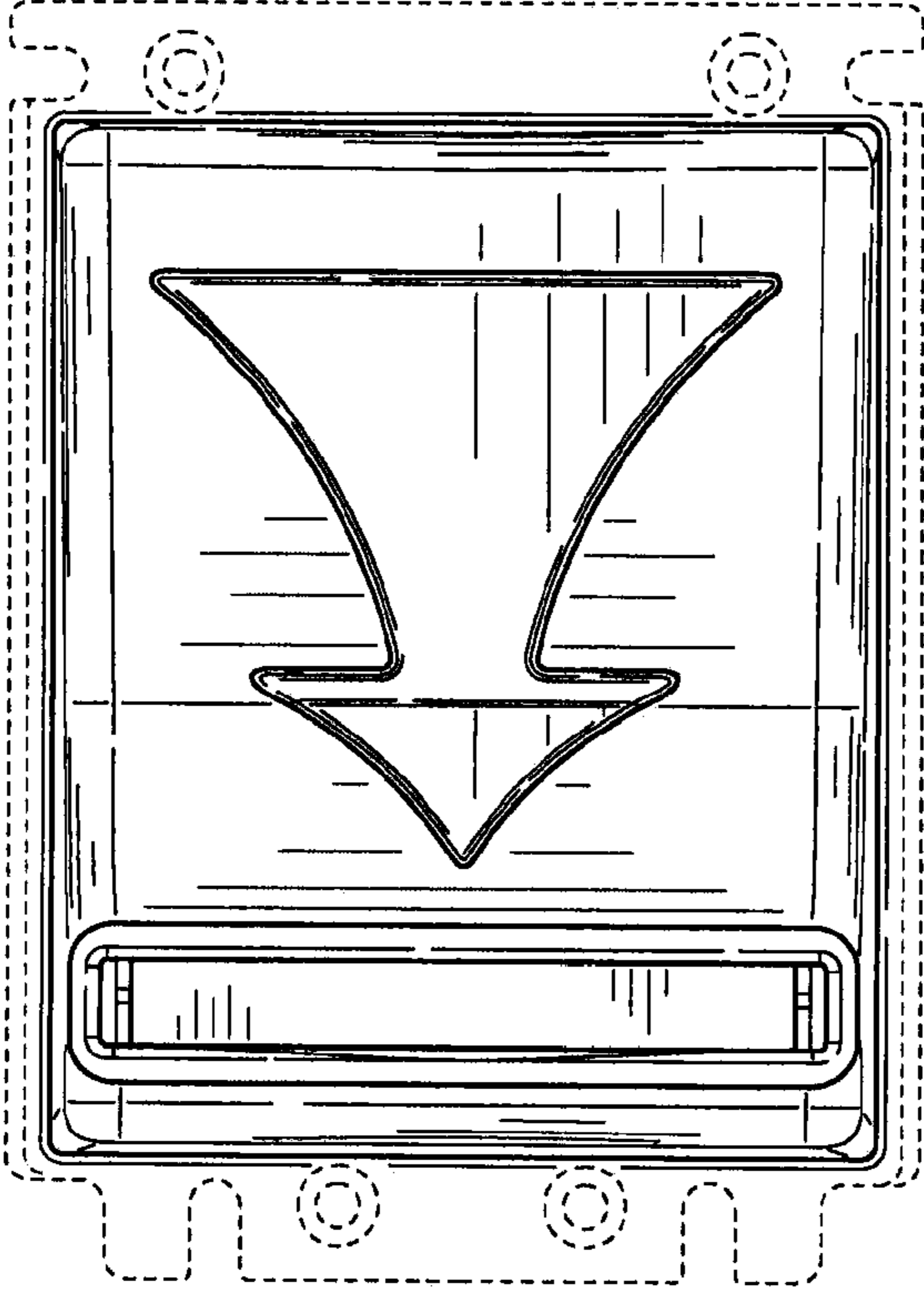


FIG. 2

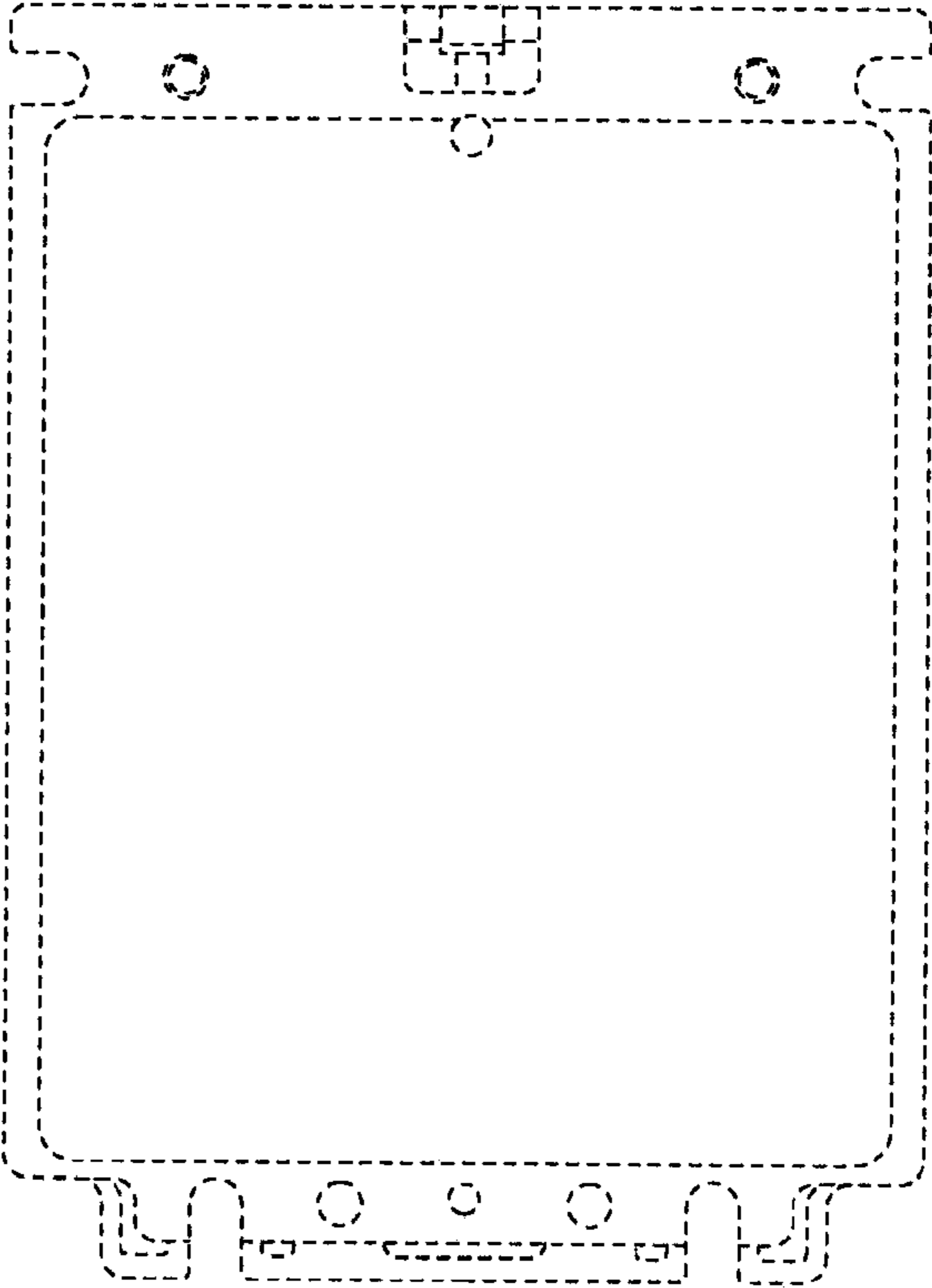


FIG. 3

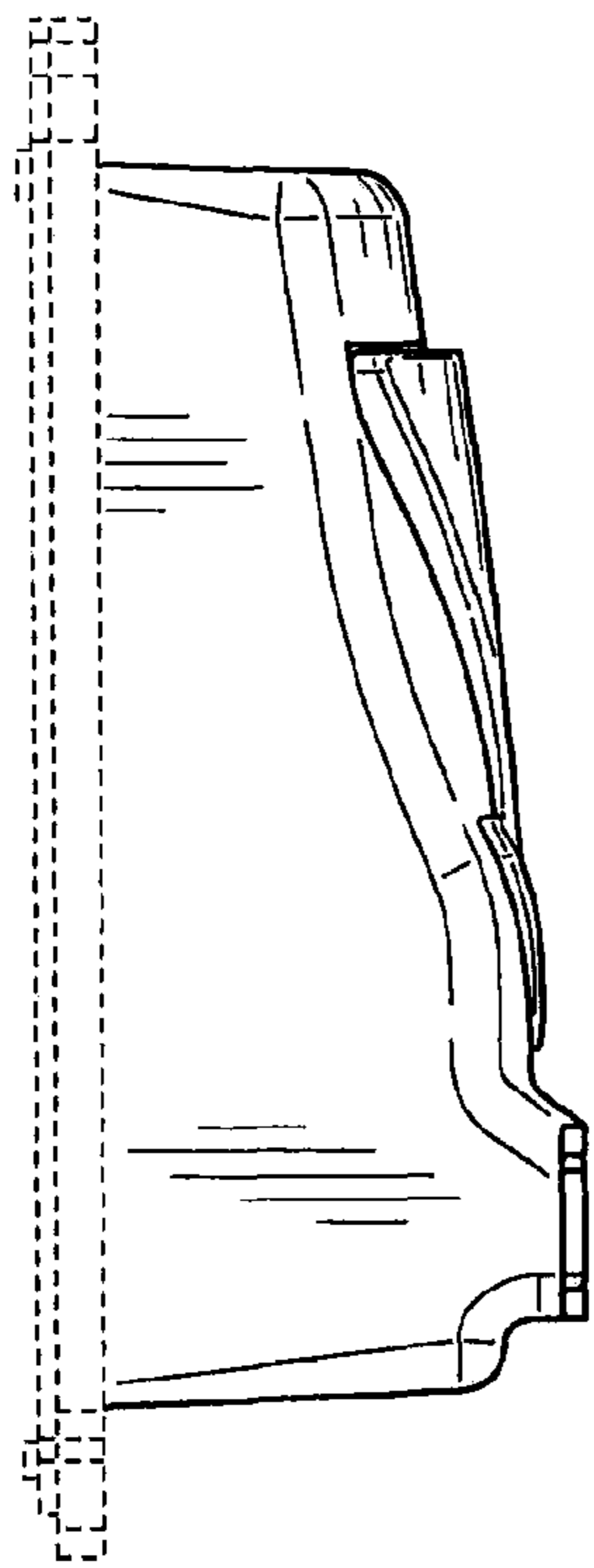


FIG. 4

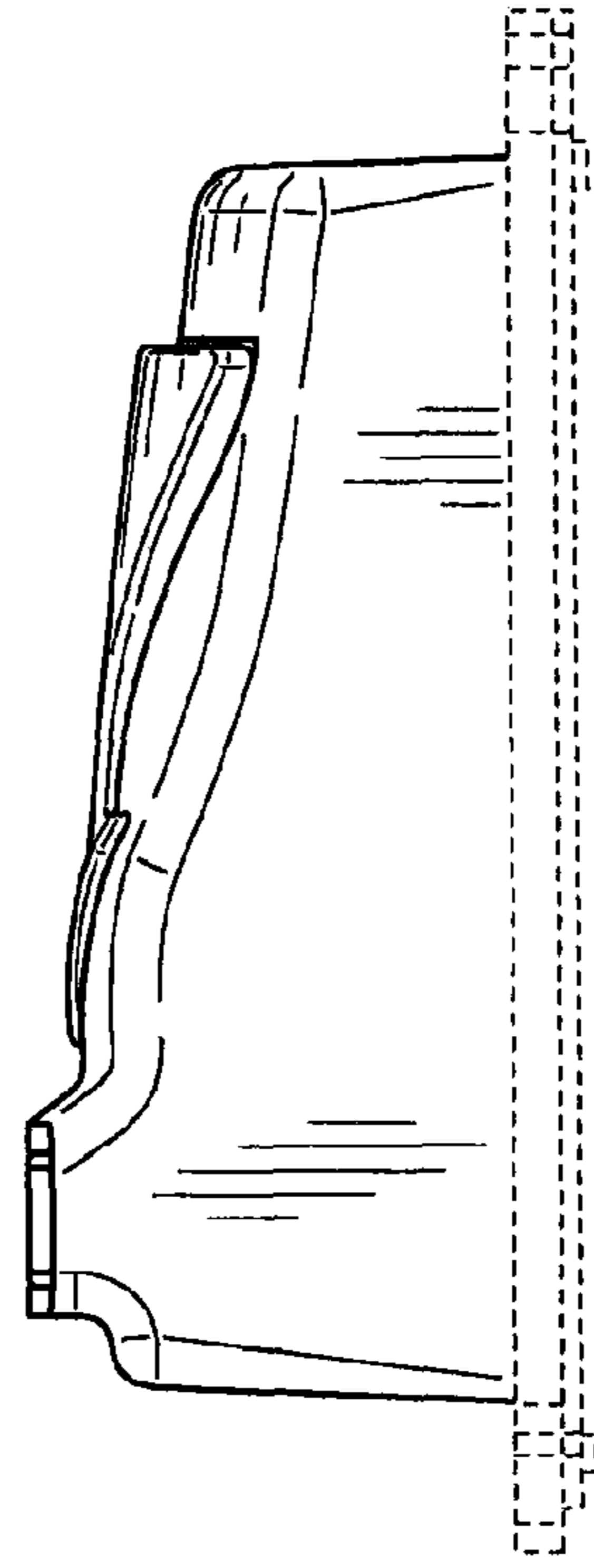


FIG. 5

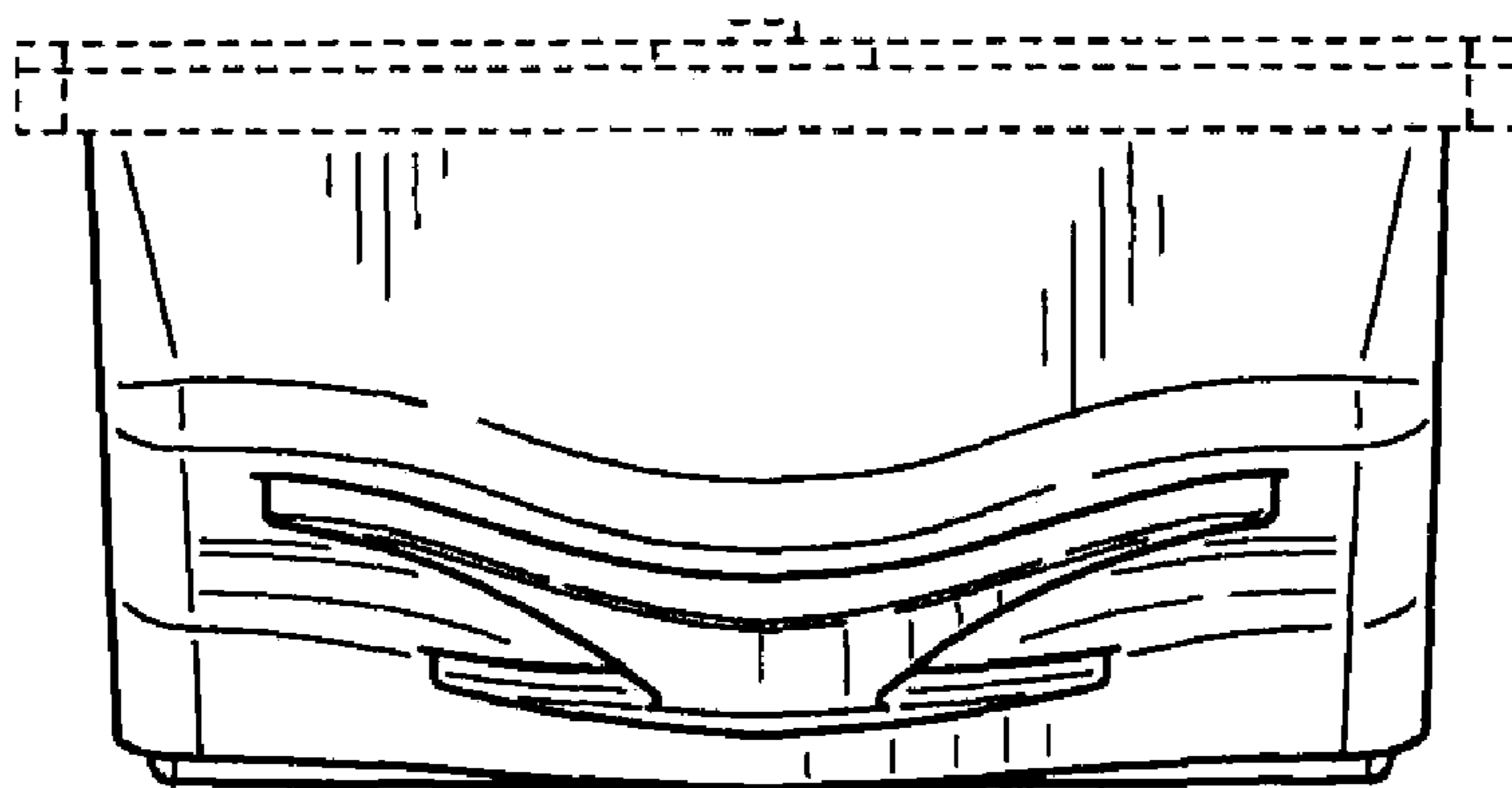


FIG. 6

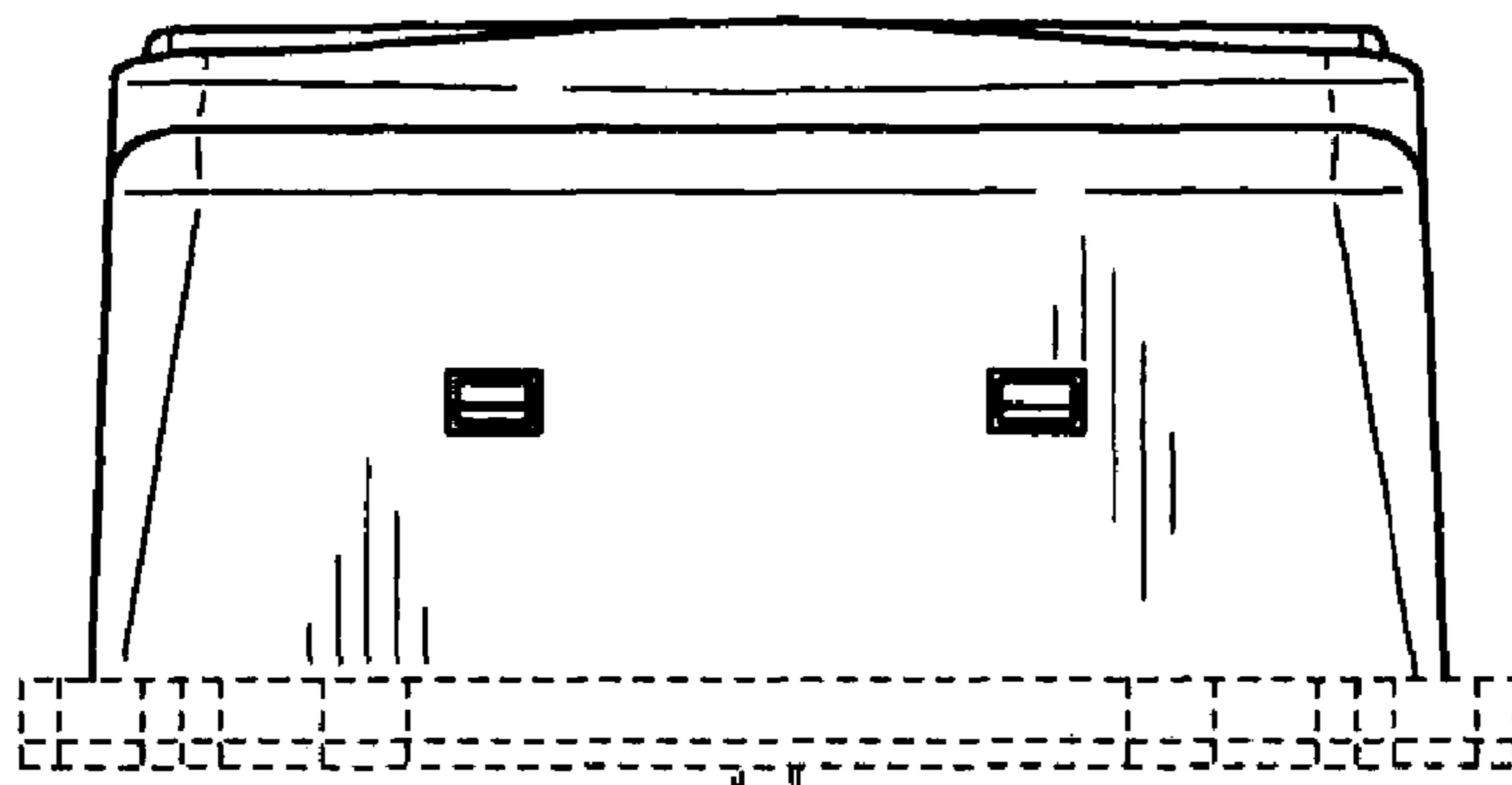


FIG. 7