



US00D626677S

(12) **United States Design Patent**
Hackett

(10) **Patent No.:** **US D626,677 S**

(45) **Date of Patent:** **** Nov. 2, 2010**

(54) **LUMINAIRE UNIT ASSEMBLY**

(75) Inventor: **Alan R. Hackett**, Seal Beach, CA (US)

(73) Assignee: **Hubbell Incorporated**, Shelton, CT (US)

(**) Term: **14 Years**

(21) Appl. No.: **29/335,989**

(22) Filed: **Apr. 27, 2009**

(51) **LOC (9) Cl.** **26-05**

(52) **U.S. Cl.** **D26/67; D26/85**

(58) **Field of Classification Search** D26/67,
D26/68, 85-92, 118, 128; 362/147, 363,
362/404-408, 431, 432

See application file for complete search history.

(56) **References Cited**

U.S. PATENT DOCUMENTS

D51,053 S *	7/1917	Wellman	D26/85
D63,205 S	10/1923	Toensfeldt		
D65,437 S	8/1924	Gosling		
D74,811 S	3/1928	Townsend		
D76,062 S	8/1928	Shortt		
D77,410 S	1/1929	Harris		
D98,394 S	1/1936	Gosling		
2,066,631 A	1/1937	Le Gorre		
D187,490 S	3/1960	Hammes		
D192,125 S	1/1962	Lasker		
D229,713 S	12/1973	Wince		
D370,288 S *	5/1996	Tognu	D26/67
D432,254 S *	10/2000	Nicholas	D26/72
D444,584 S	7/2001	Landefeld		
D456,547 S	4/2002	Leen		
D457,680 S	5/2002	De'Armond		
D465,603 S	11/2002	De'Armond		
D470,261 S	2/2003	Dolan		

(Continued)

Primary Examiner—Clare E Heflin

(74) *Attorney, Agent, or Firm*—Alfred N. Goodman; Mark S. Bicks; Lance G. Johnson

(57) **CLAIM**

The ornamental design for a luminaire unit assembly, as shown and described.

DESCRIPTION

FIG. 1 is a top plan view of a luminaire unit assembly according to a first embodiment of the invention;

FIG. 2 is a perspective view of a luminaire unit assembly illustrated in FIG. 1;

FIG. 3 is a front elevation view of a luminaire unit assembly illustrated in FIGS. 1 and 2;

FIG. 4 is a right elevation view of a luminaire unit assembly illustrated in FIGS. 1-3;

FIG. 5 is a bottom plan view of a luminaire unit assembly illustrated in FIGS. 1-4;

FIG. 6 is a perspective view of a luminaire unit assembly illustrated in FIGS. 1-5;

FIG. 7 is a top plan view of a luminaire unit assembly according to a second embodiment of the invention;

FIG. 8 is a perspective view of a luminaire unit assembly illustrated in FIG. 7;

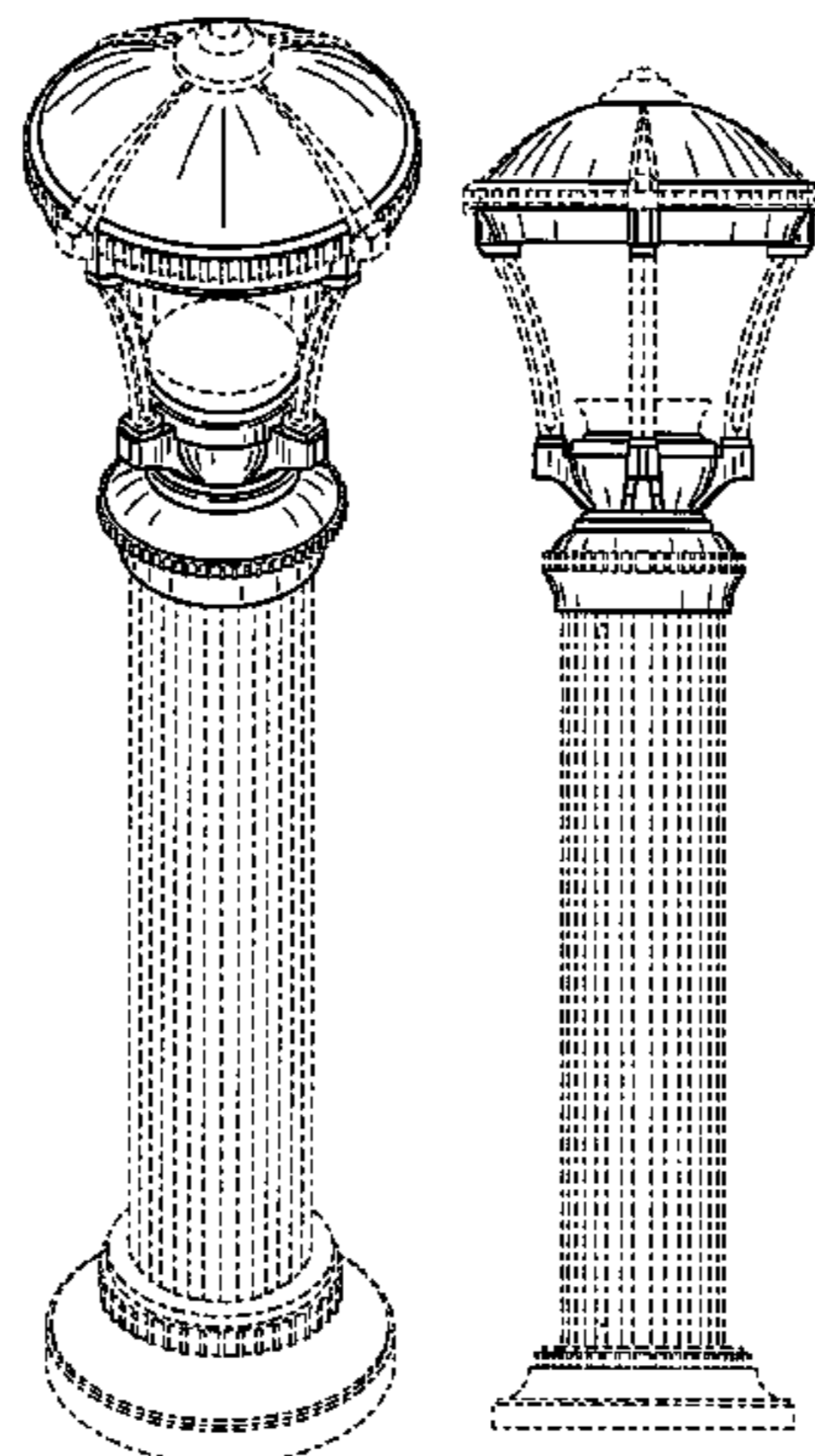
FIG. 9 is a front elevation view of a luminaire unit assembly illustrated in FIGS. 7 and 8;

FIG. 10 is a right elevation view of a luminaire unit assembly illustrated in FIGS. 7-9; and,

FIG. 11 is a bottom view of a luminaire unit assembly illustrated in FIGS. 7-10.

The luminaire unit assembly claimed herein is an article with multiple independent parts that interact with each other. Any broken line illustration of environmental structure in the drawings is not part of the design sought to be patented; however, the distances and relative proportions among the claimed portions separated by broken lines is part of the design.

1 Claim, 6 Drawing Sheets



US D626,677 S

Page 2

U.S. PATENT DOCUMENTS			
D485,387 S	1/2004	Harbaugh	
D515,231 S	2/2006	Randazzo	
D570,028 S *	5/2008	Curtin	D26/85 * cited by examiner
D587,836 S *	3/2009	Nankil	D26/85
D593,696 S *	6/2009	Hackett	D26/67
D593,701 S *	6/2009	Hackett	D26/85

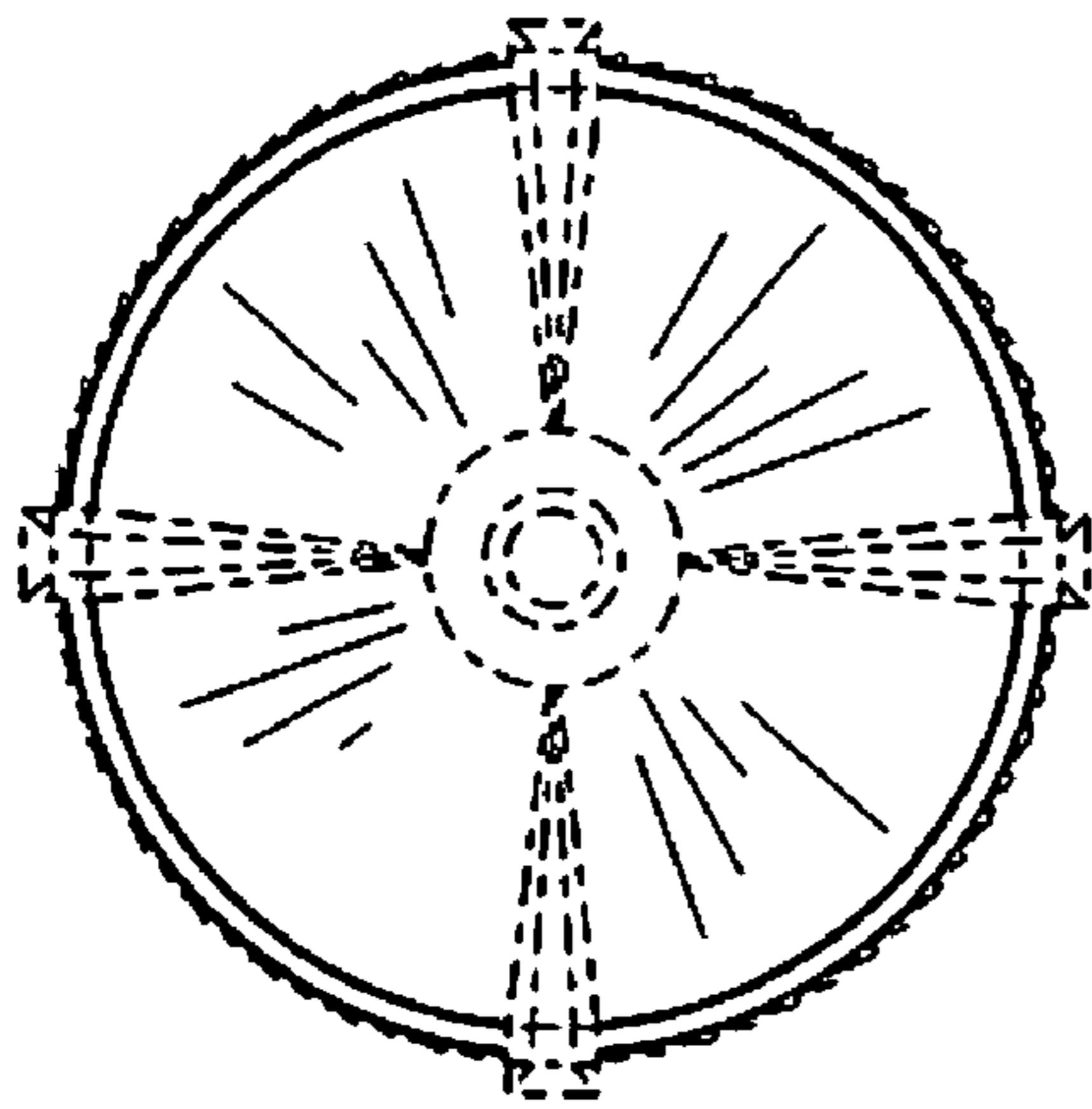


FIG. 1

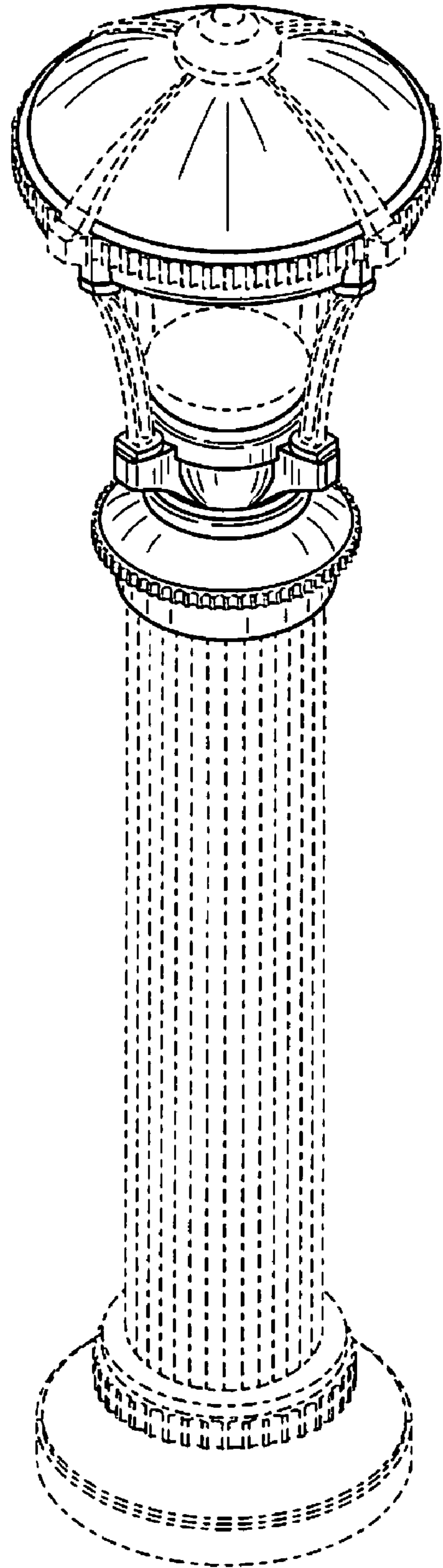


FIG. 2

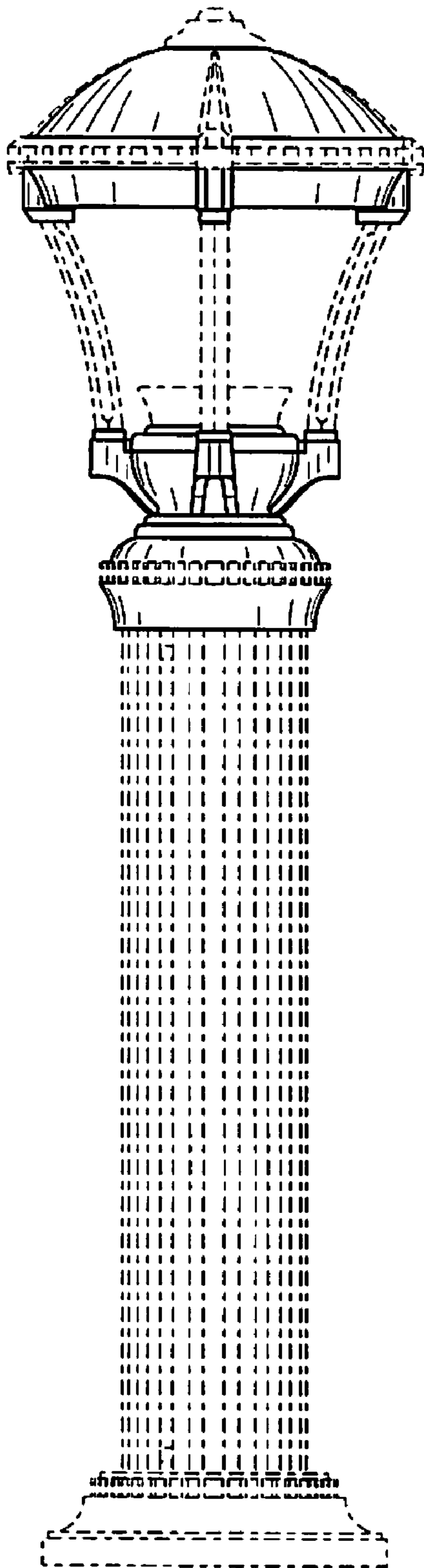


FIG. 3

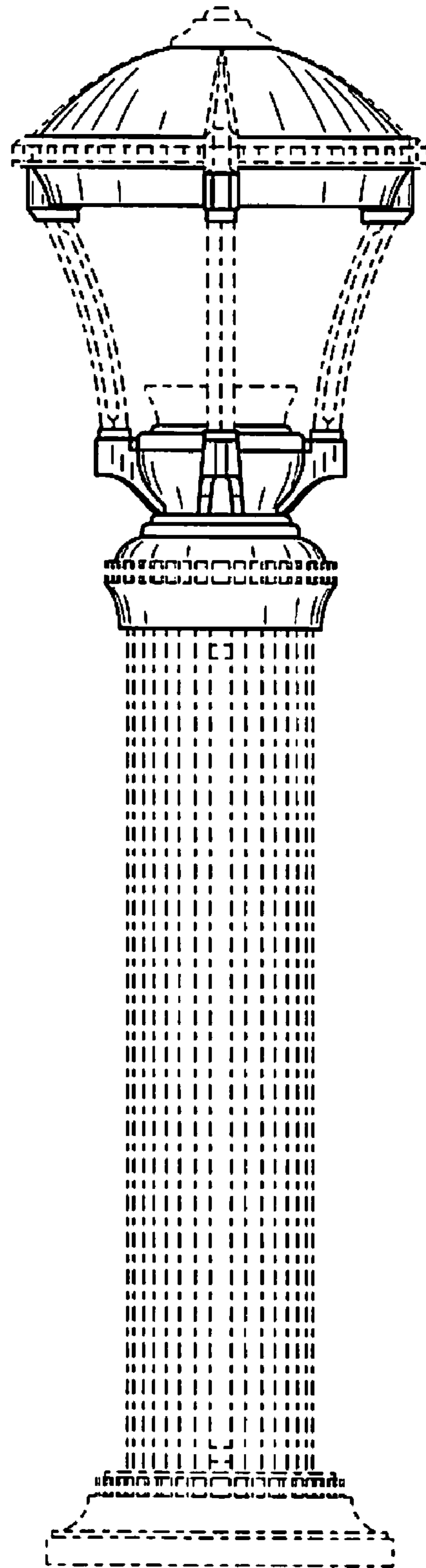


FIG. 4

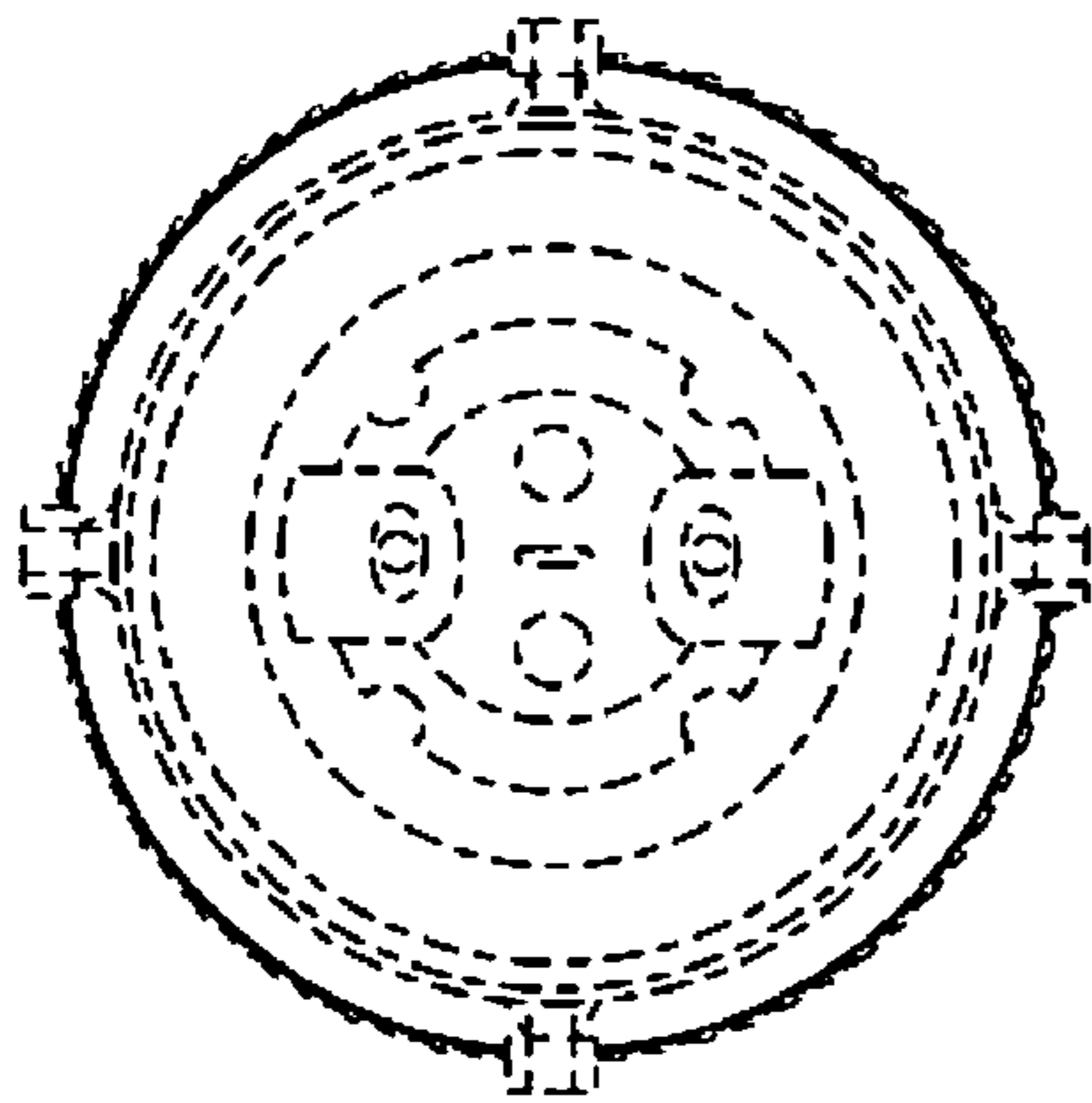


FIG. 5

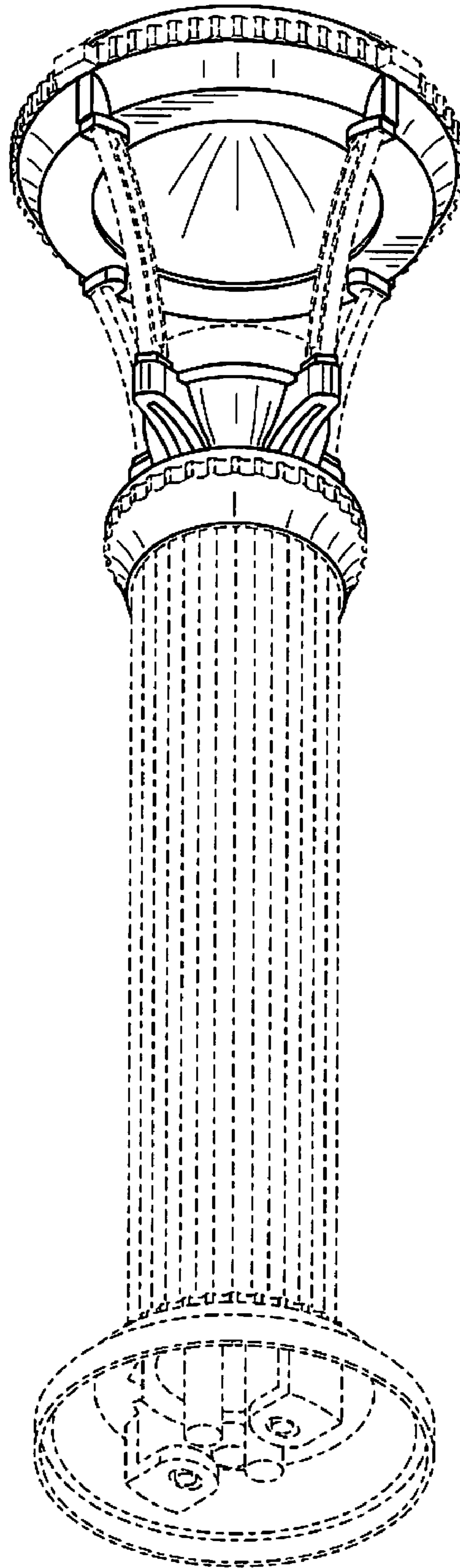


FIG. 6

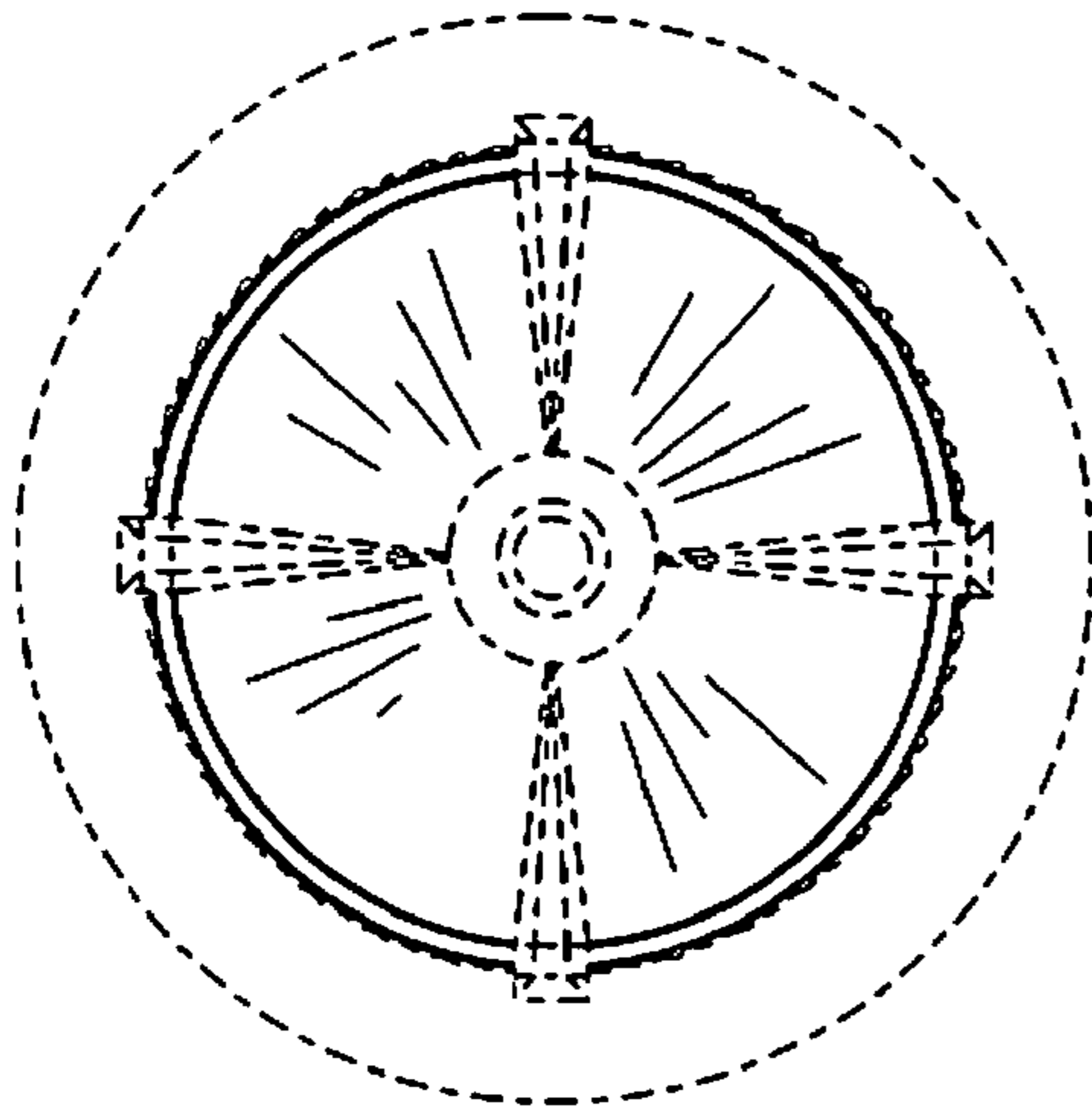


FIG. 7

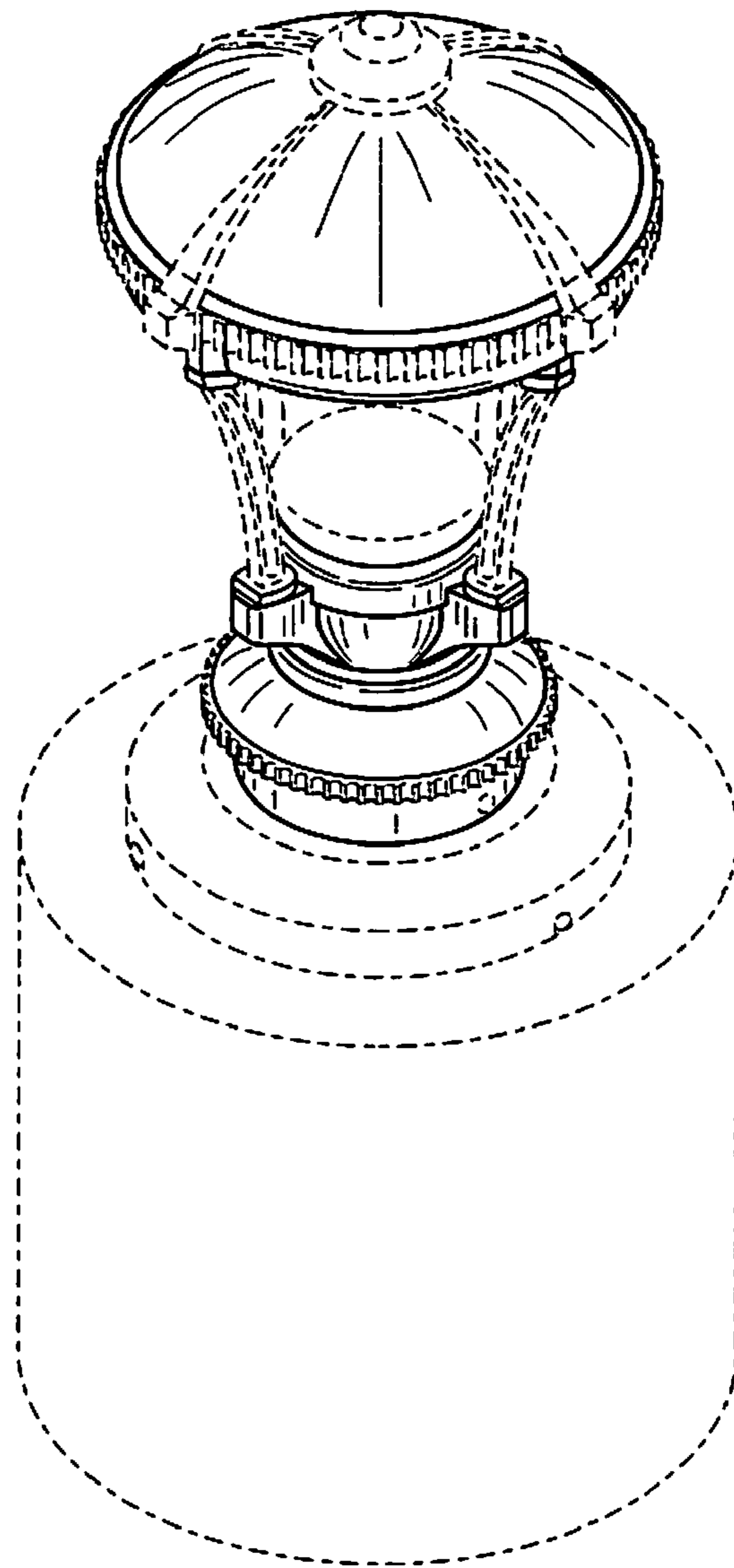


FIG. 8

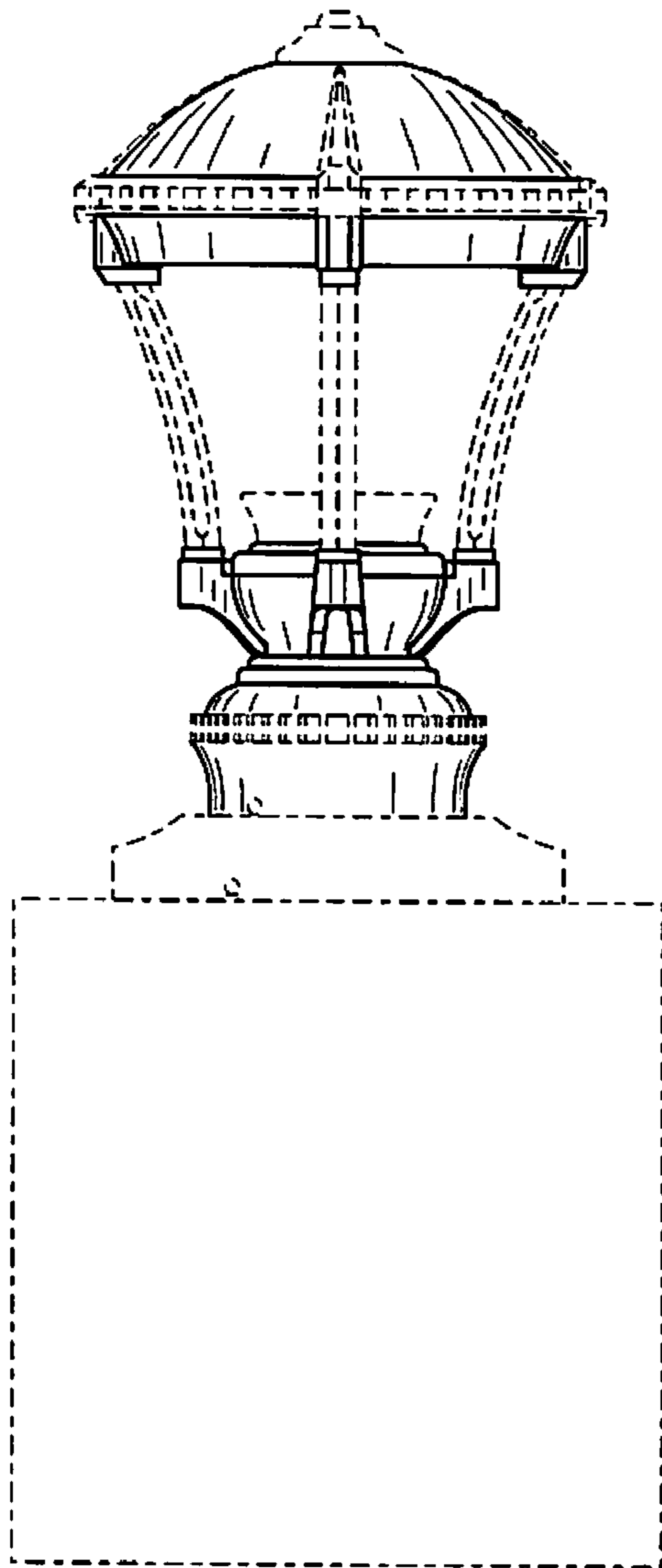


FIG. 9

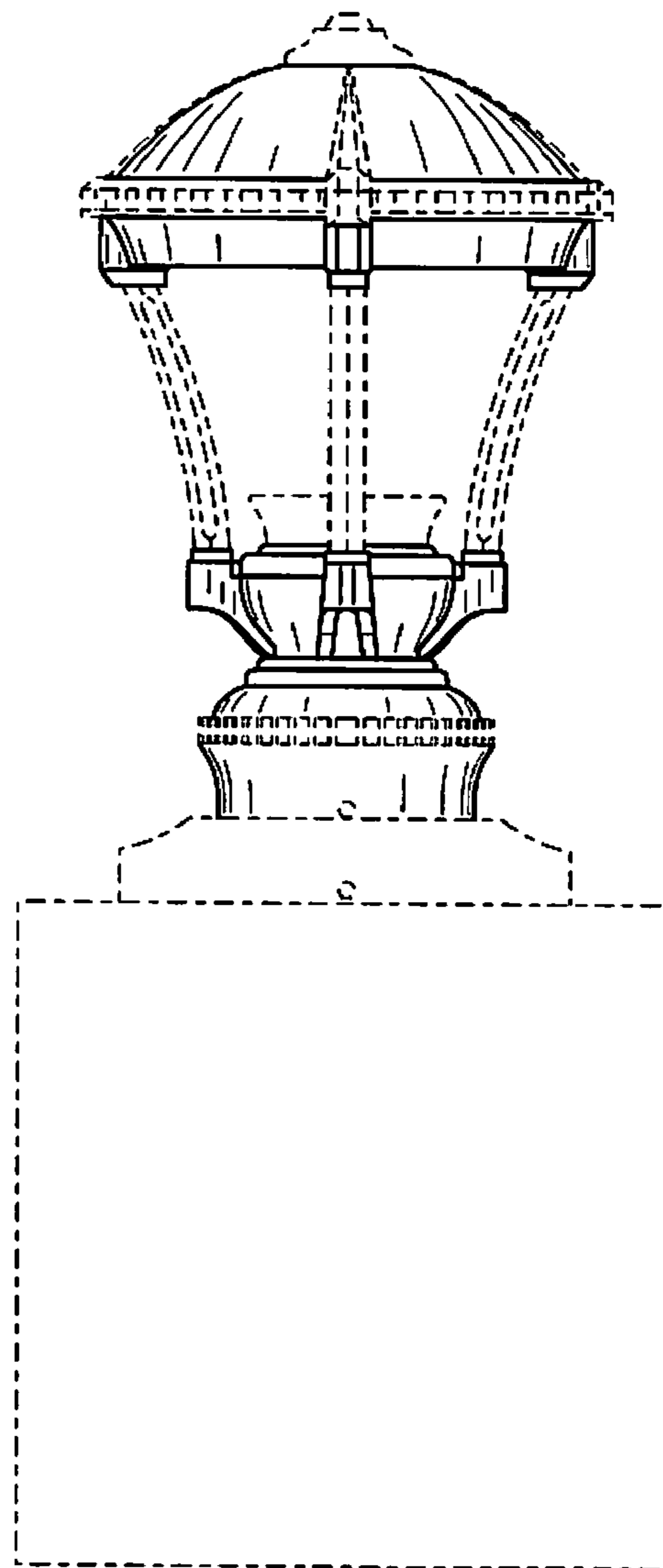


FIG. 10

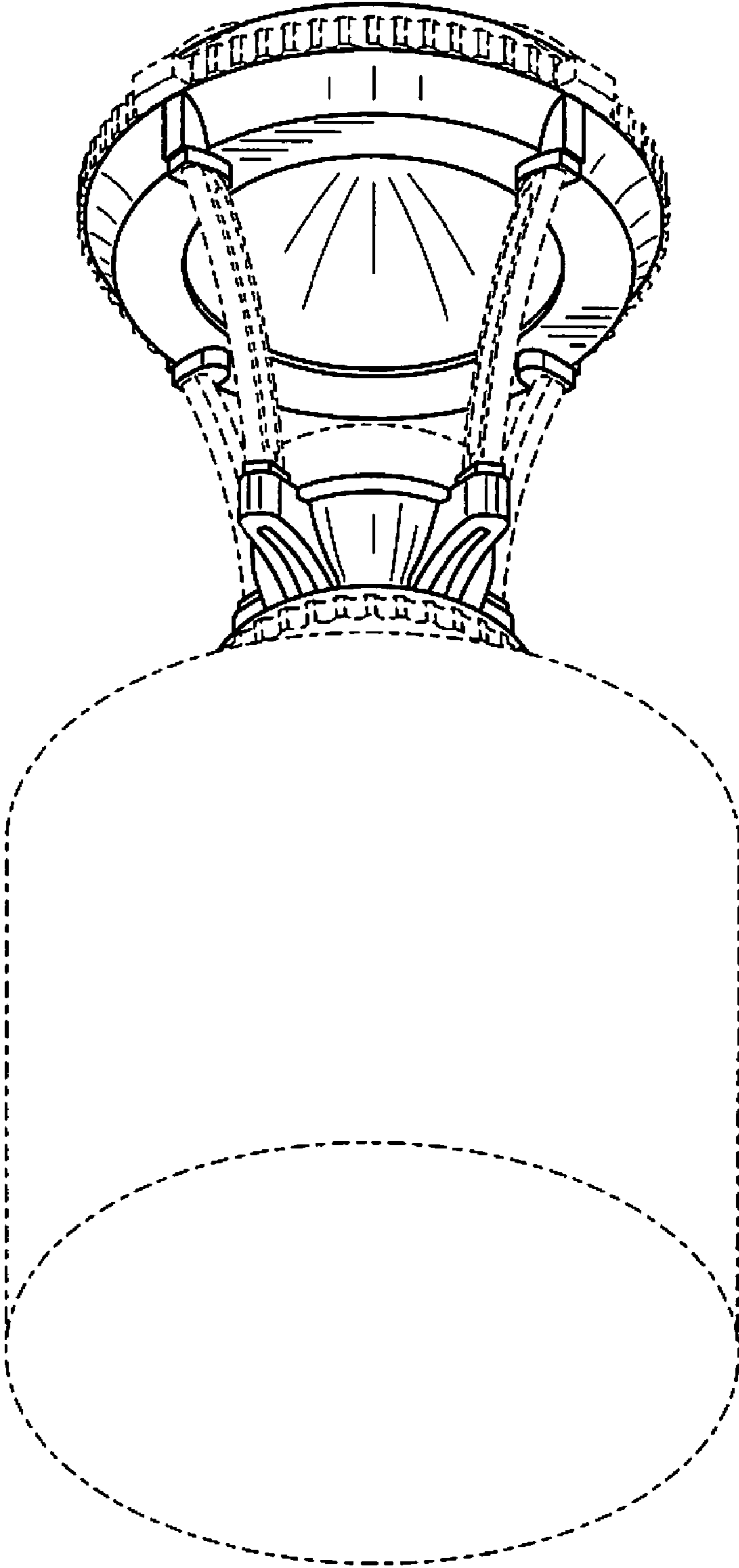


FIG. 11