



US00D626676S

(12) **United States Design Patent**
Johnson

(10) **Patent No.:** **US D626,676 S**
(45) **Date of Patent:** **** Nov. 2, 2010**

(54) **LIGHTING APPARATUS**

(76) Inventor: **Andrew Johnson**, c/o Aurora Limited,
16 Alban Park, Hatfield Road, St. Albans
(GB) AL4 0JJ

(**) Term: **14 Years**

(21) Appl. No.: **29/322,745**

(22) Filed: **Aug. 11, 2008**

(30) **Foreign Application Priority Data**

Mar. 28, 2008 (EM) 000910732

(51) **LOC (9) Cl.** **26-05**

(52) **U.S. Cl.** **D26/67**

(58) **Field of Classification Search** D26/67-71,
D26/85, 92; 362/145, 152-153.1, 183, 249.02,
362/249.03, 249.04, 249.06, 249.16, 231,
362/431

See application file for complete search history.

(56) **References Cited**

U.S. PATENT DOCUMENTS

- D235,797 S * 7/1975 Friedberg D26/68
- D318,136 S * 7/1991 Kira D26/68
- D365,166 S * 12/1995 Harris et al. D26/68
- D371,620 S * 7/1996 Cool D26/68
- 5,649,760 A * 7/1997 Beadle 362/270
- 5,692,828 A * 12/1997 Chung 362/431
- D426,011 S * 5/2000 Giese et al. D26/68
- D444,253 S * 6/2001 Blanchard D26/67

- D468,042 S * 12/2002 Volpe D26/67
- D479,891 S * 9/2003 Yeh D26/67
- D494,698 S * 8/2004 Hon et al. D26/67
- D542,959 S * 5/2007 Yao et al. D26/68
- D597,698 S * 8/2009 Lee D26/68

* cited by examiner

Primary Examiner—Clare E Heflin

(74) *Attorney, Agent, or Firm*—Hayes Soloway P.C.

(57) **CLAIM**

The ornamental design for an lighting apparatus, as shown and described.

DESCRIPTION

FIG. 1 is a top plan view of the lighting apparatus showing my new design;

FIG. 2 is a bottom plan view thereof;

FIG. 3 is a right side perspective view thereof, the left side being a mirror image thereof;

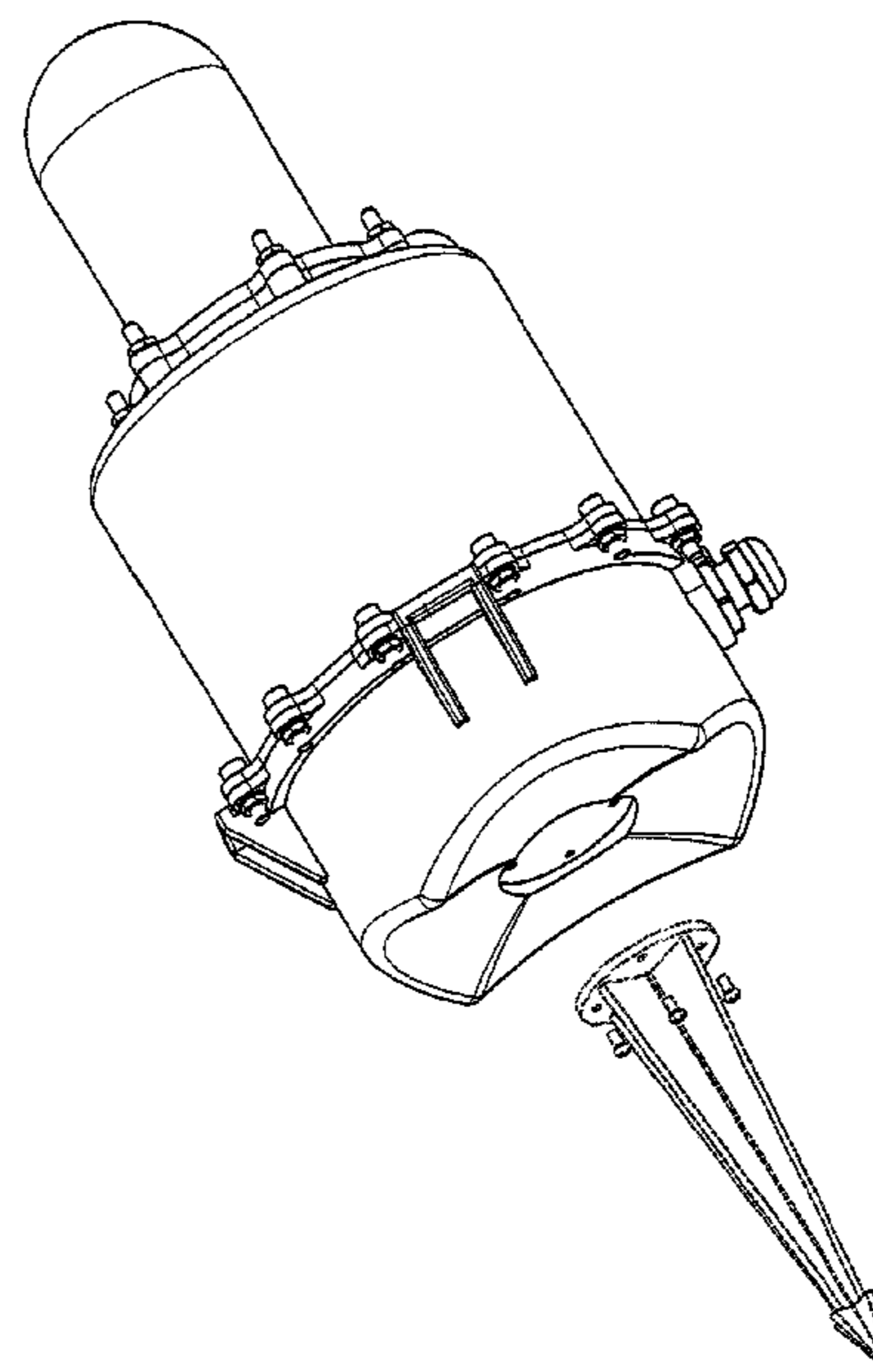
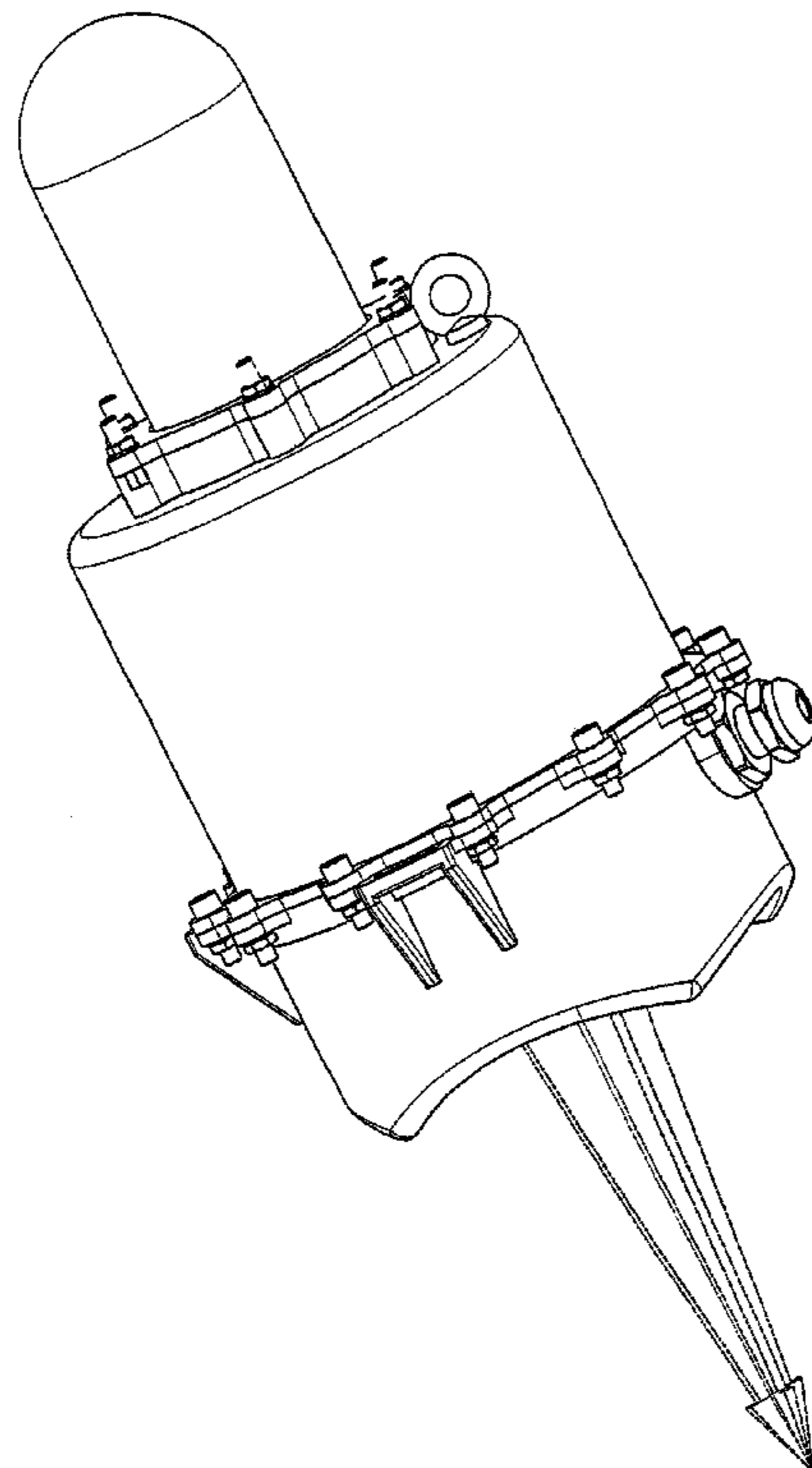
FIG. 4 is a left side elevational view thereof, the right side being a mirror image thereof;

FIG. 5 is a partially exploded perspective view thereof, from the right side; and,

FIG. 6 is a partially exploded perspective view thereof, from the bottom.

The broken lines shown on the drawings depict portions of the lighting apparatus that form no part of the claimed design.

1 Claim, 6 Drawing Sheets



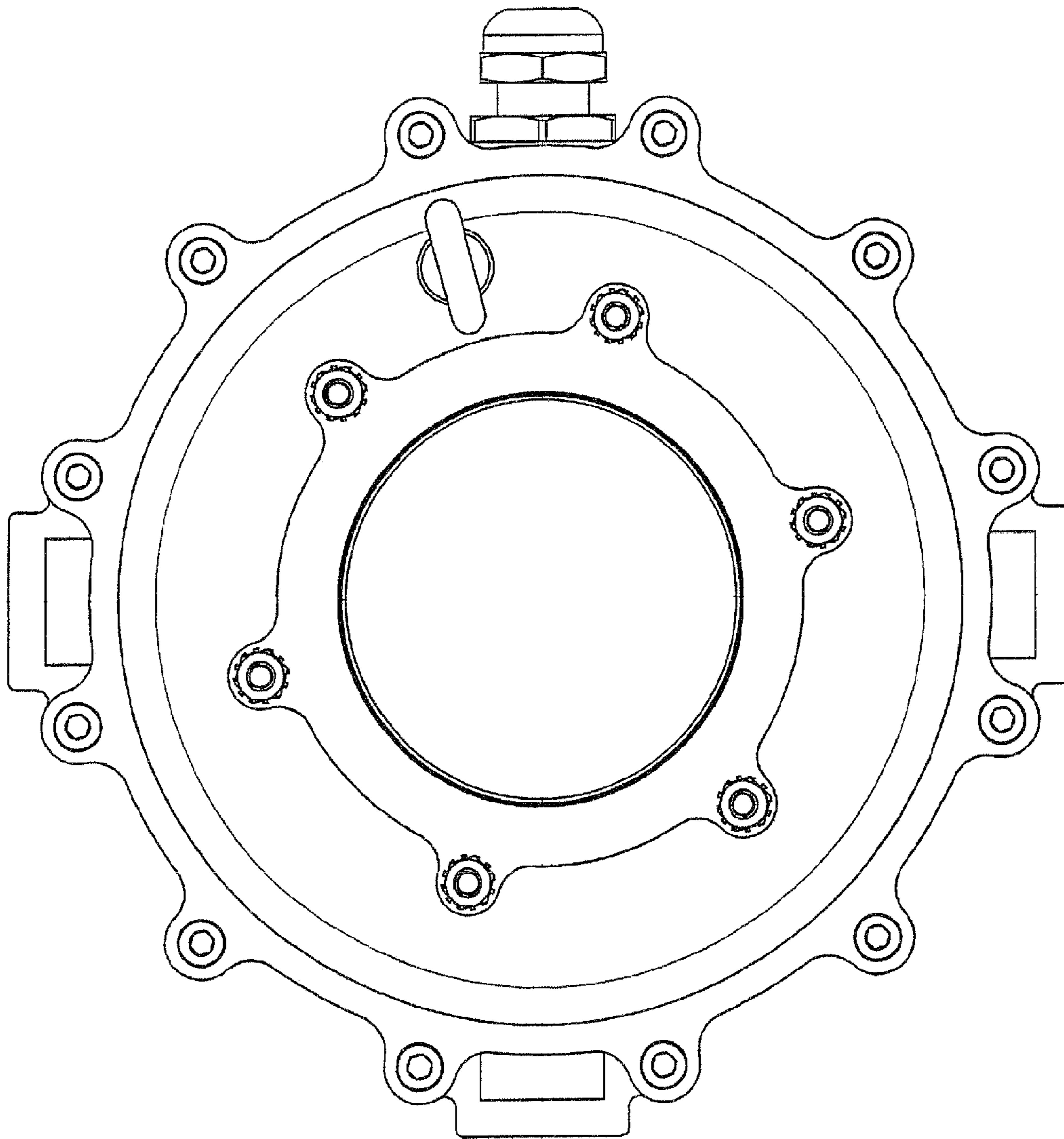


FIG. 1

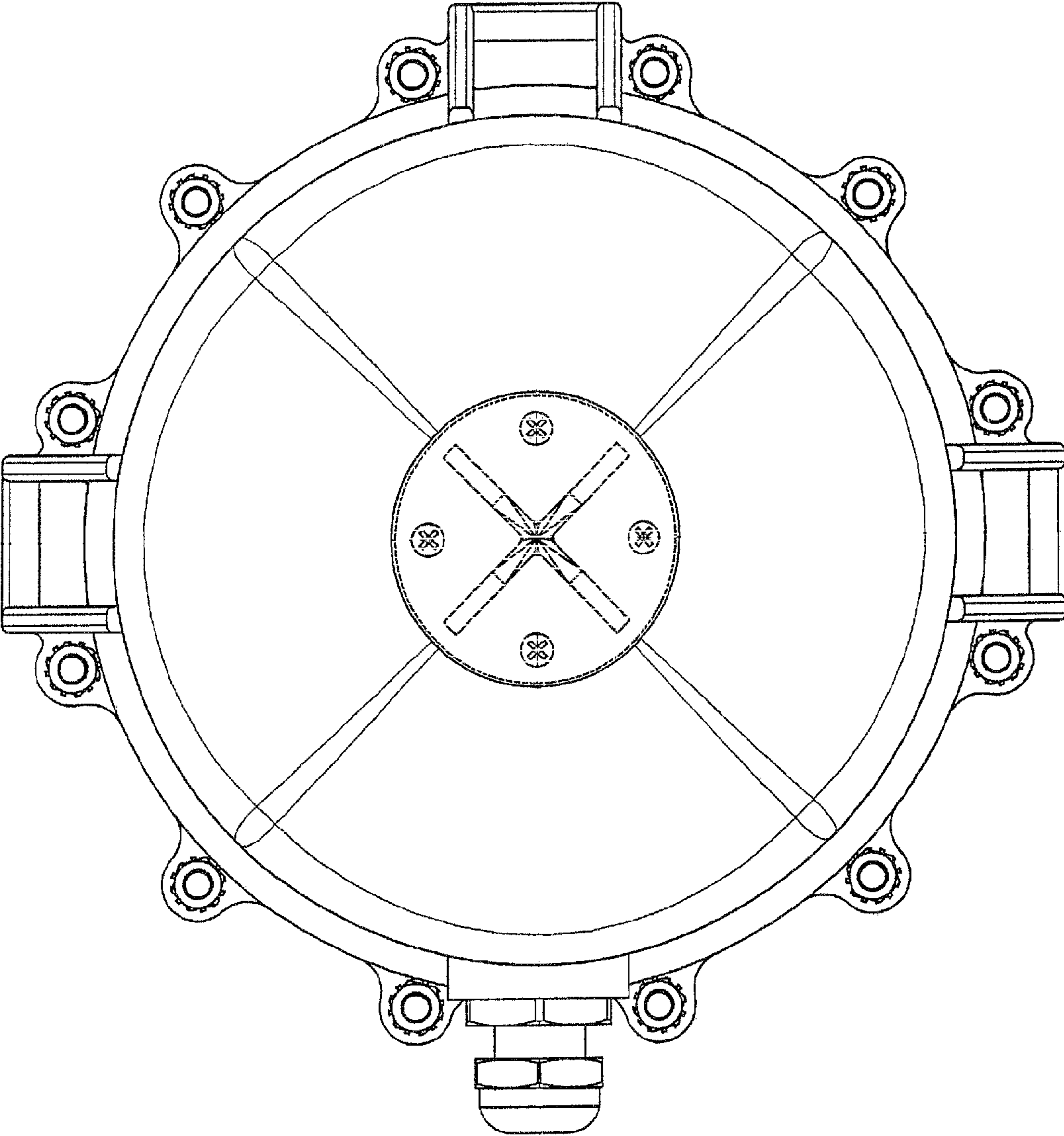


FIG. 2

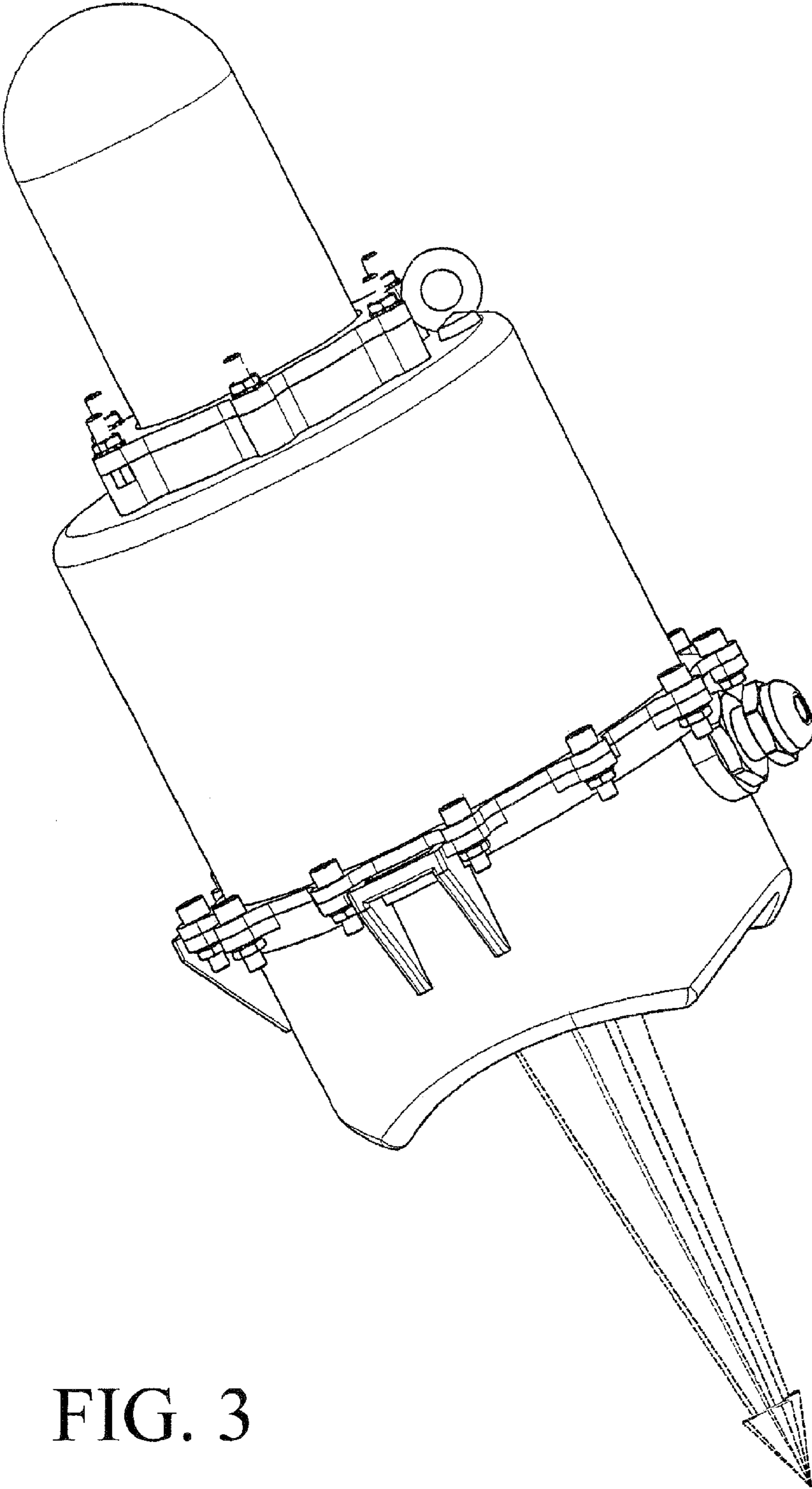


FIG. 3

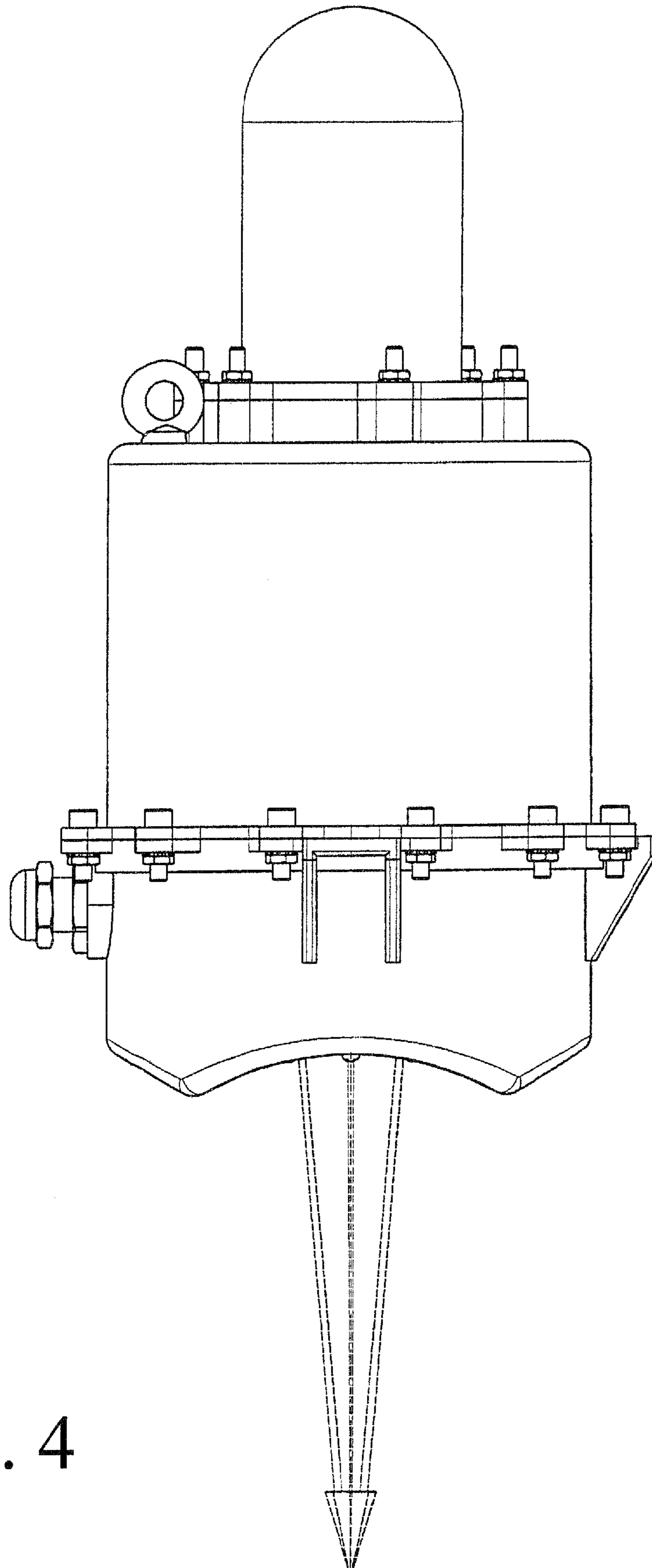


FIG. 4

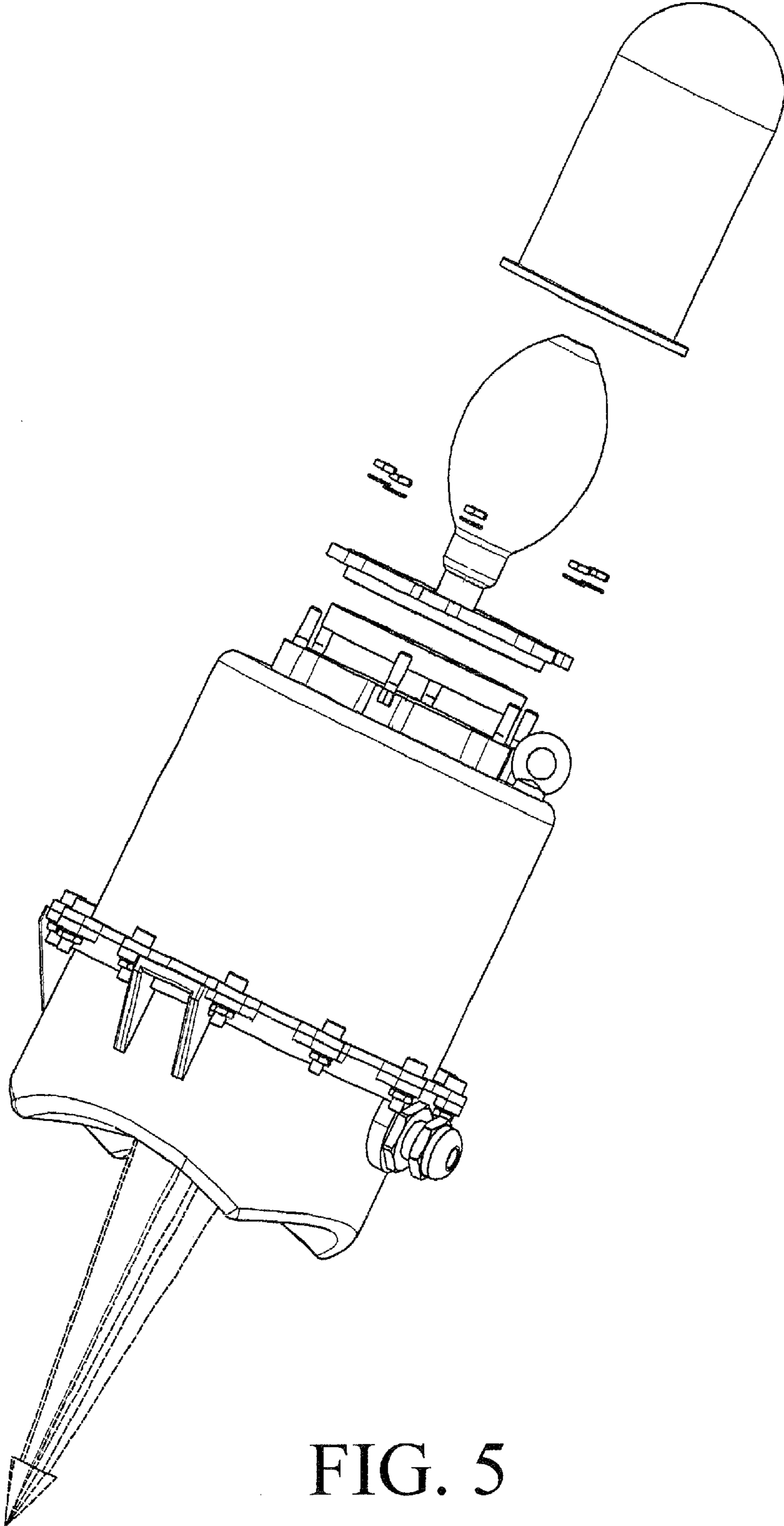


FIG. 5

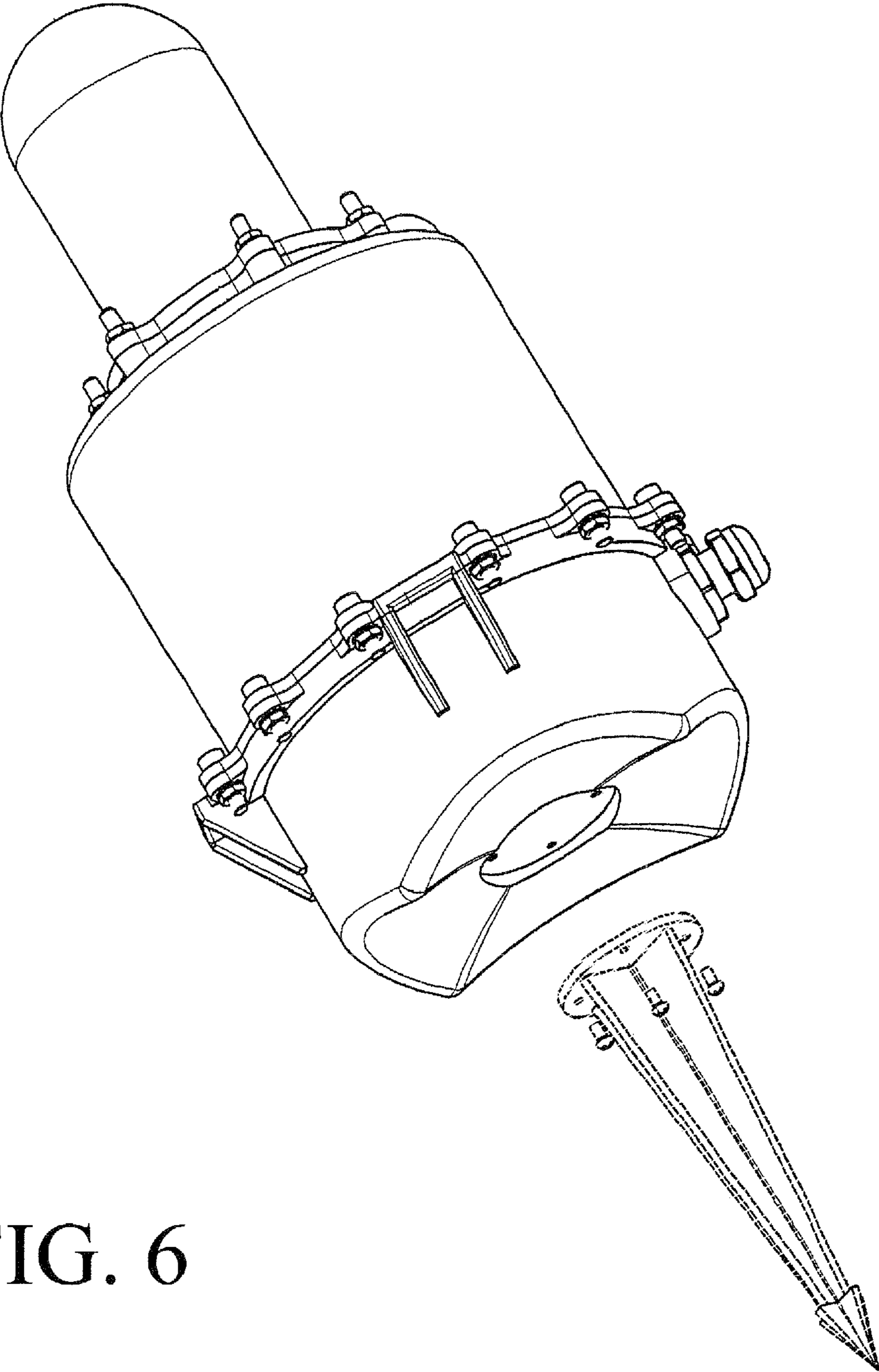


FIG. 6