



US00D626675S

(12) **United States Design Patent**  
**Leen**

(10) **Patent No.:** **US D626,675 S**

(45) **Date of Patent:** **\*\* Nov. 2, 2010**

(54) **WORK LAMP**

(76) Inventor: **Monte Leen**, 11730 Ne. 12th St.,  
Bellevue, WA (US) 98005

(\*\*) Term: **14 Years**

(21) Appl. No.: **29/358,374**

(22) Filed: **Mar. 26, 2010**

(51) **LOC (9) Cl.** ..... **26-05**

(52) **U.S. Cl.** ..... **D26/63**

(58) **Field of Classification Search** ..... D26/60-66;  
362/269-271, 273, 274, 281-290, 368, 372,  
362/376, 418, 427-430, 648

See application file for complete search history.

(56) **References Cited**

**U.S. PATENT DOCUMENTS**

D217,785 S *	6/1970	Wolff	.....	D26/24
D231,559 S *	4/1974	Darling et al.	.....	D26/63
4,075,470 A *	2/1978	Moore	.....	362/287
4,489,366 A *	12/1984	Rozniecki	.....	362/270
D451,226 S *	11/2001	Leen	.....	D26/63

D482,152 S *	11/2003	Hussaini et al.	.....	D26/63
D606,690 S *	12/2009	Orrom et al.	.....	D26/61

\* cited by examiner

*Primary Examiner*—Susan M Lee

*Assistant Examiner*—Linda G. Brooks

(74) *Attorney, Agent, or Firm*—Dean A. Craine

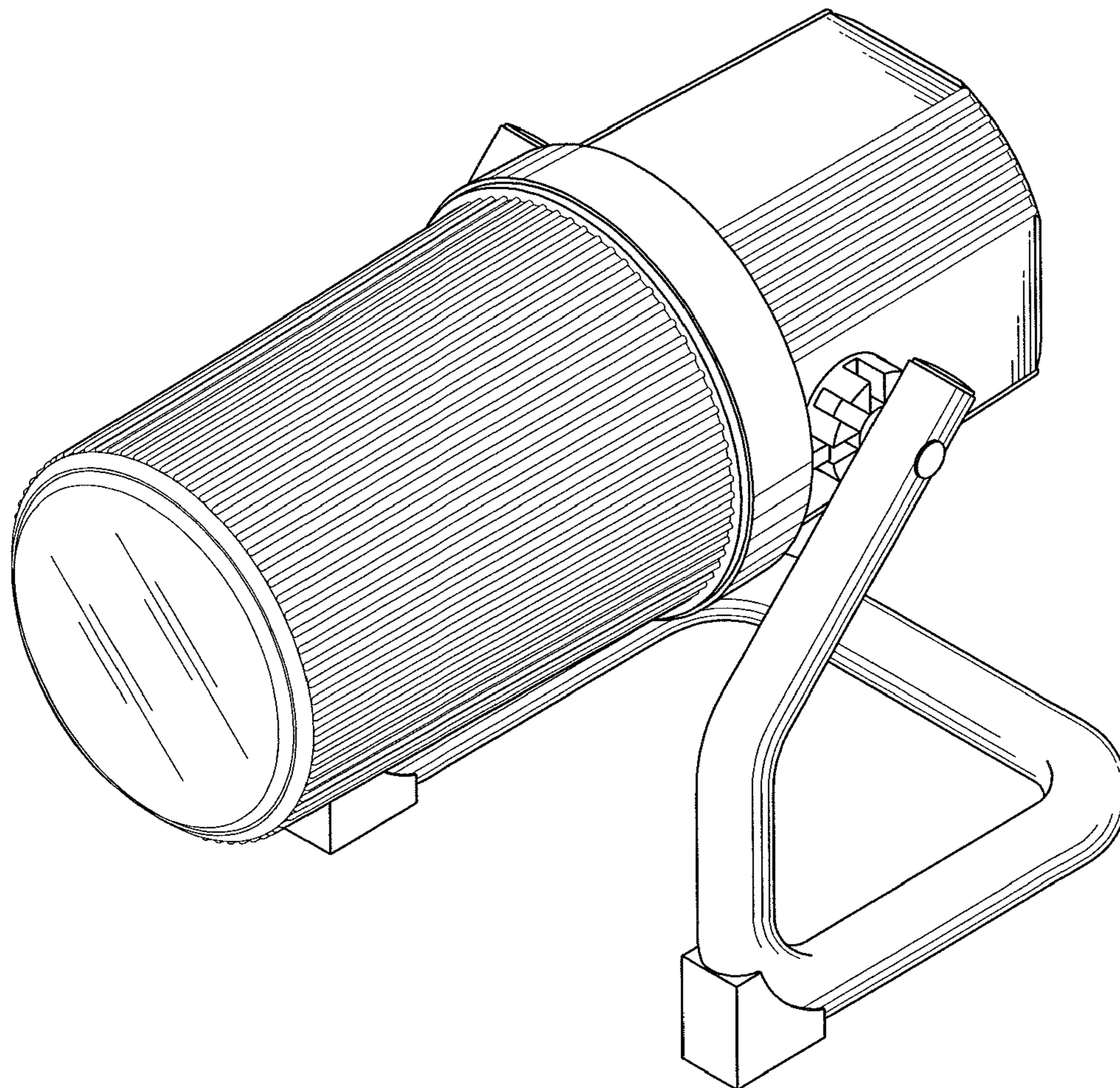
(57) **CLAIM**

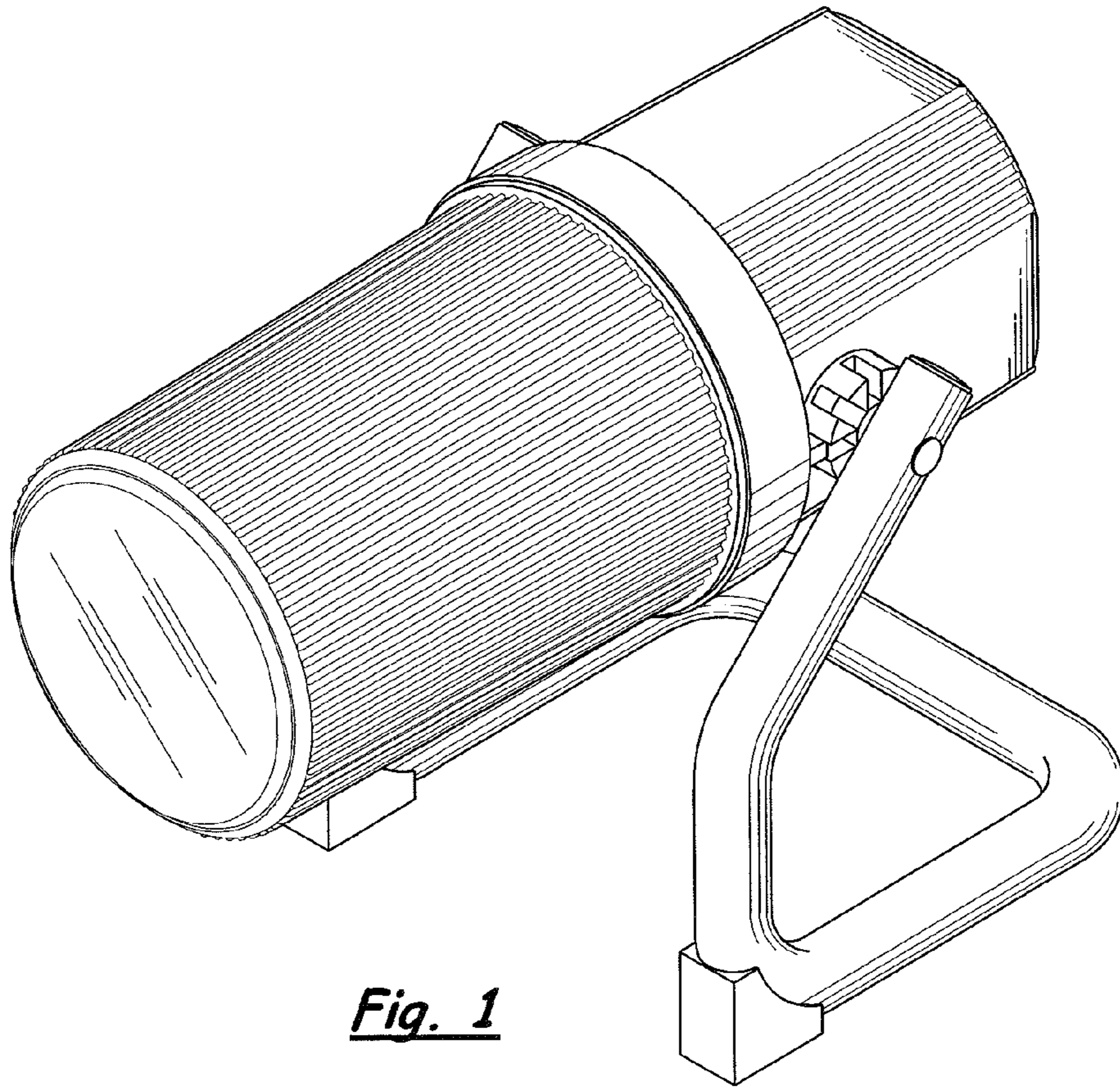
The ornamental design for a work lamp, as shown and described.

**DESCRIPTION**

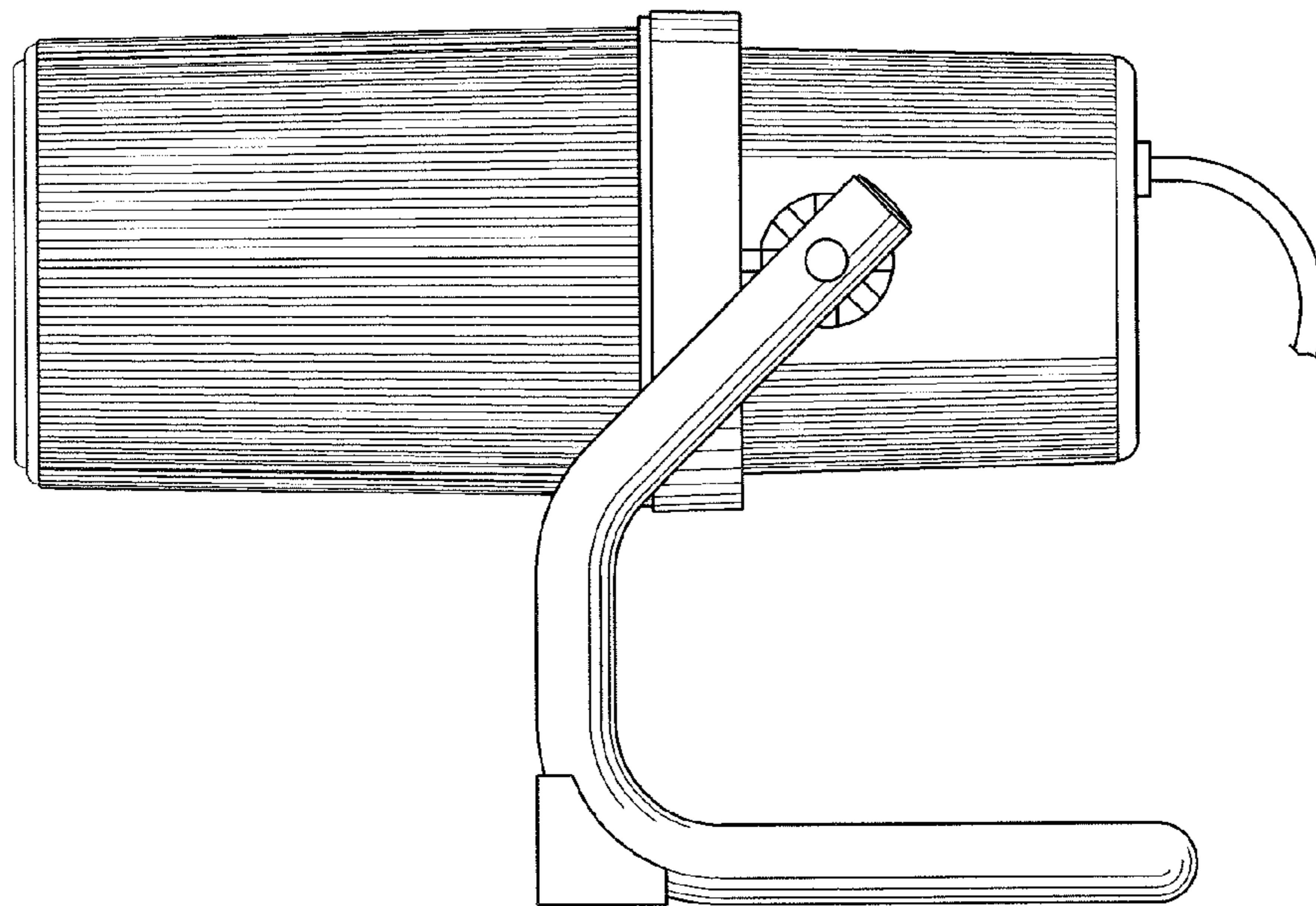
FIG. 1 is a front perspective view of a work lamp.  
 FIG. 2 is a right side elevational view of the invention.  
 FIG. 3 is a left side elevational view of the invention.  
 FIG. 4 is a front elevational view of the invention.  
 FIG. 5 is a rear elevational view of the invention.  
 FIG. 6 is a top plan view of the invention; and,  
 FIG. 7 is a bottom plan view of the invention.

**1 Claim, 3 Drawing Sheets**





*Fig. 1*



*Fig. 2*

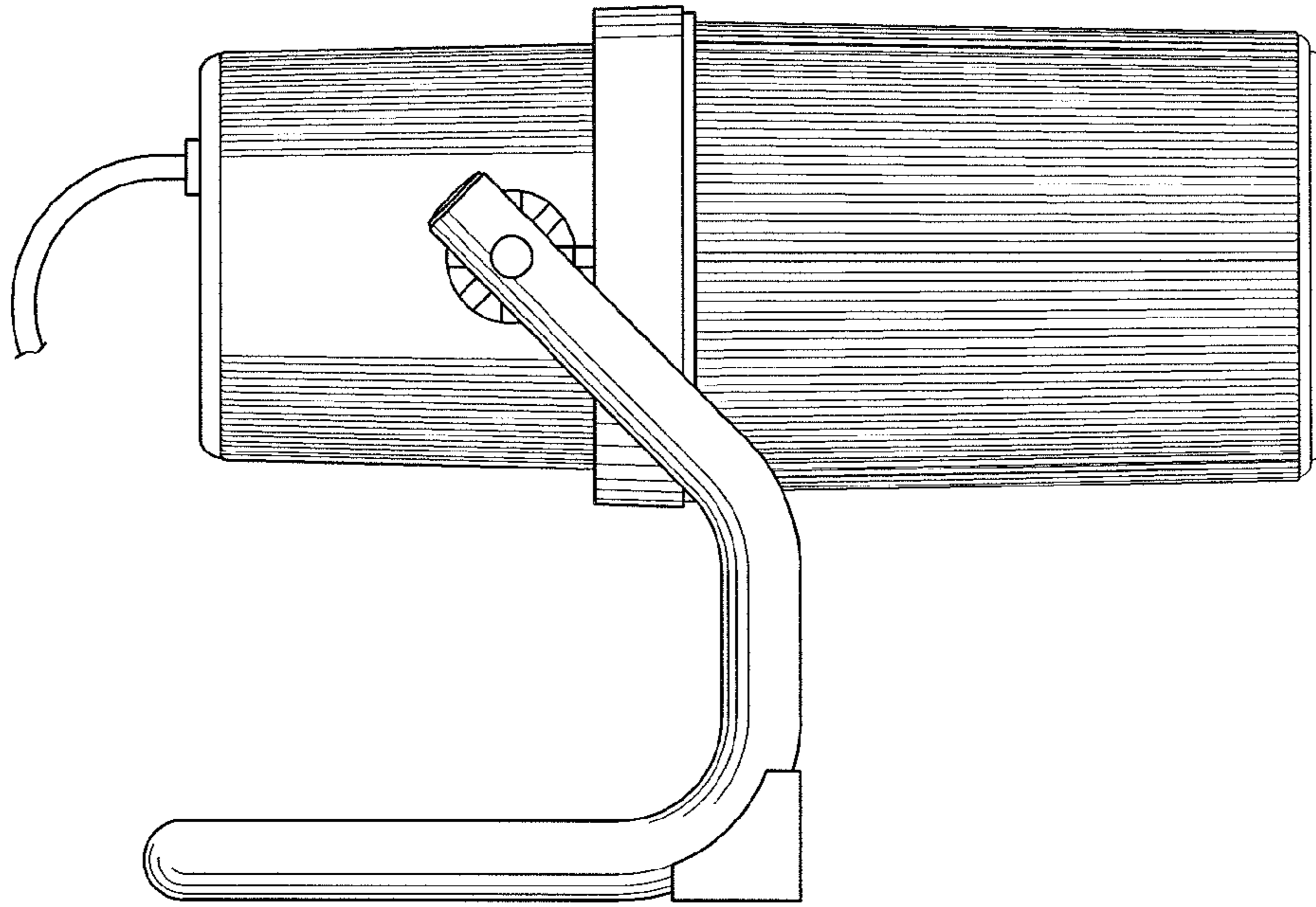


Fig. 3

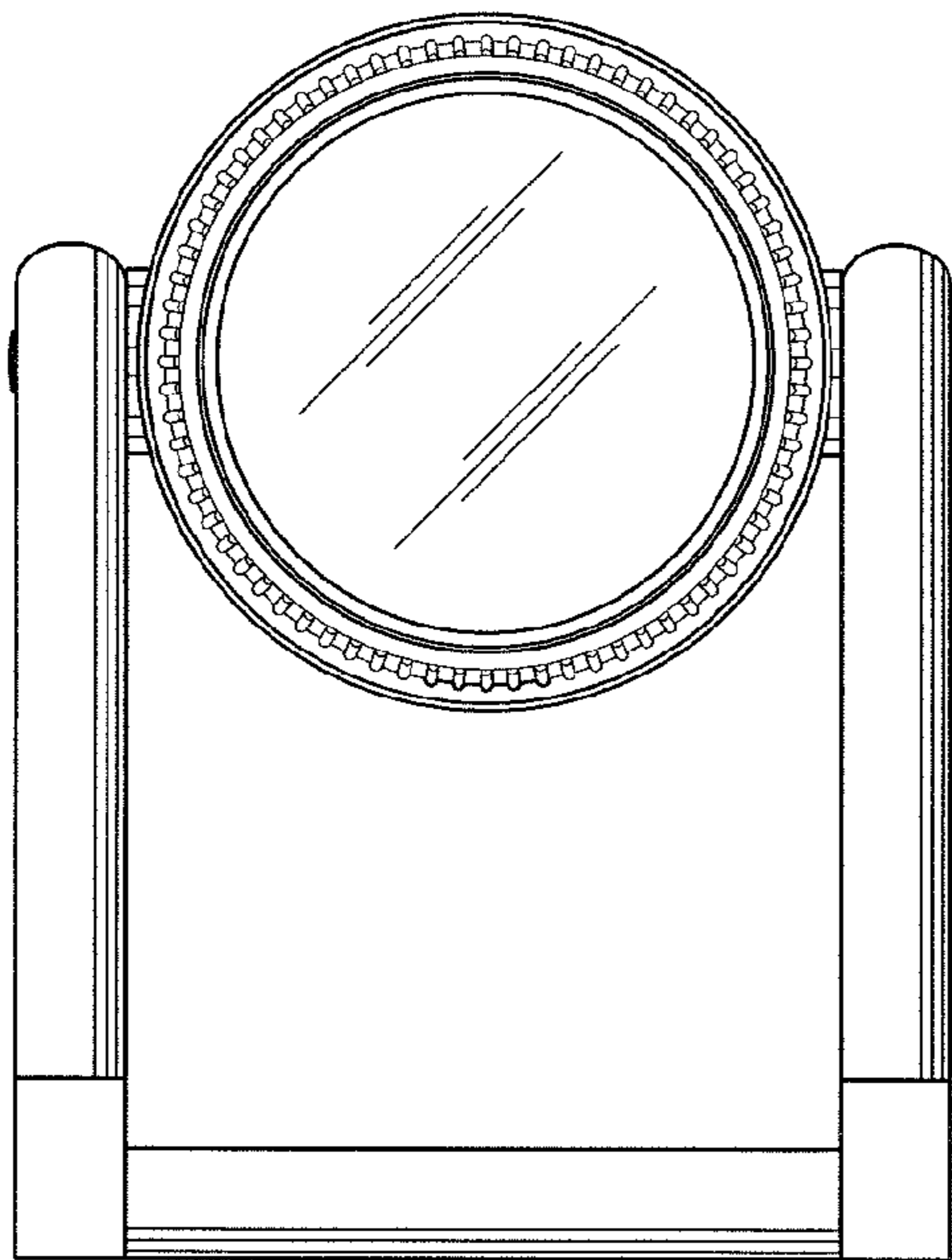


Fig. 4

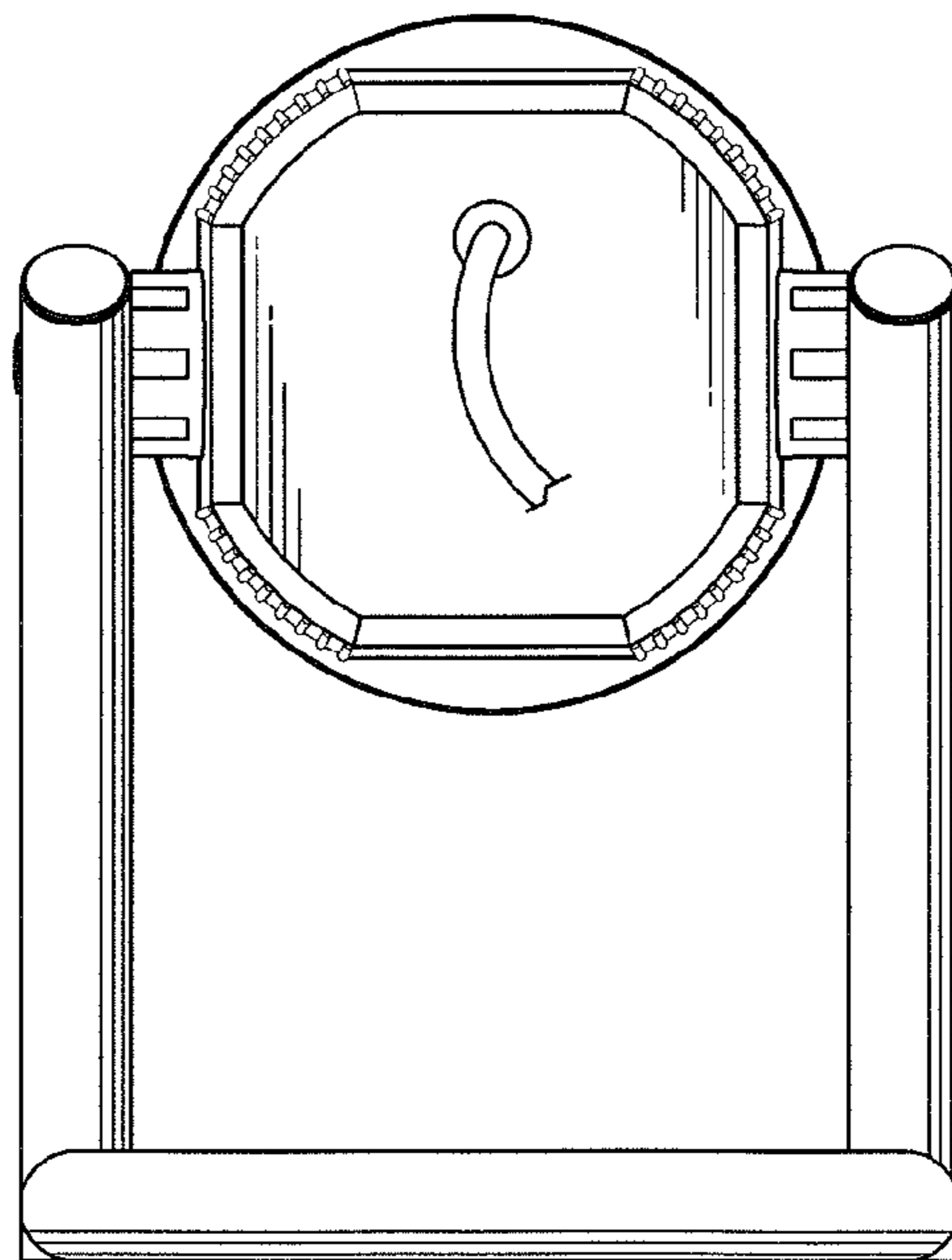


Fig. 5

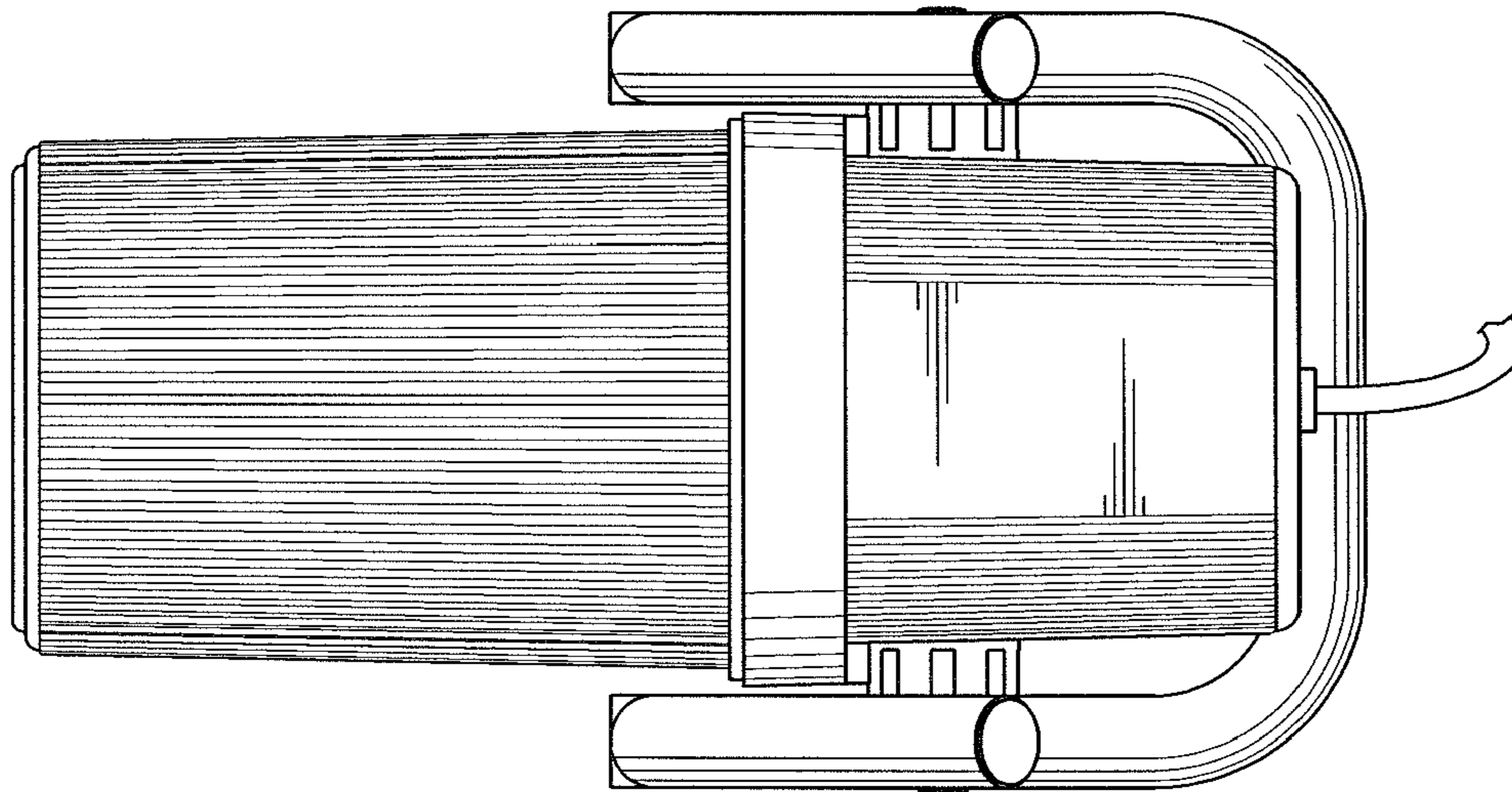


Fig. 6

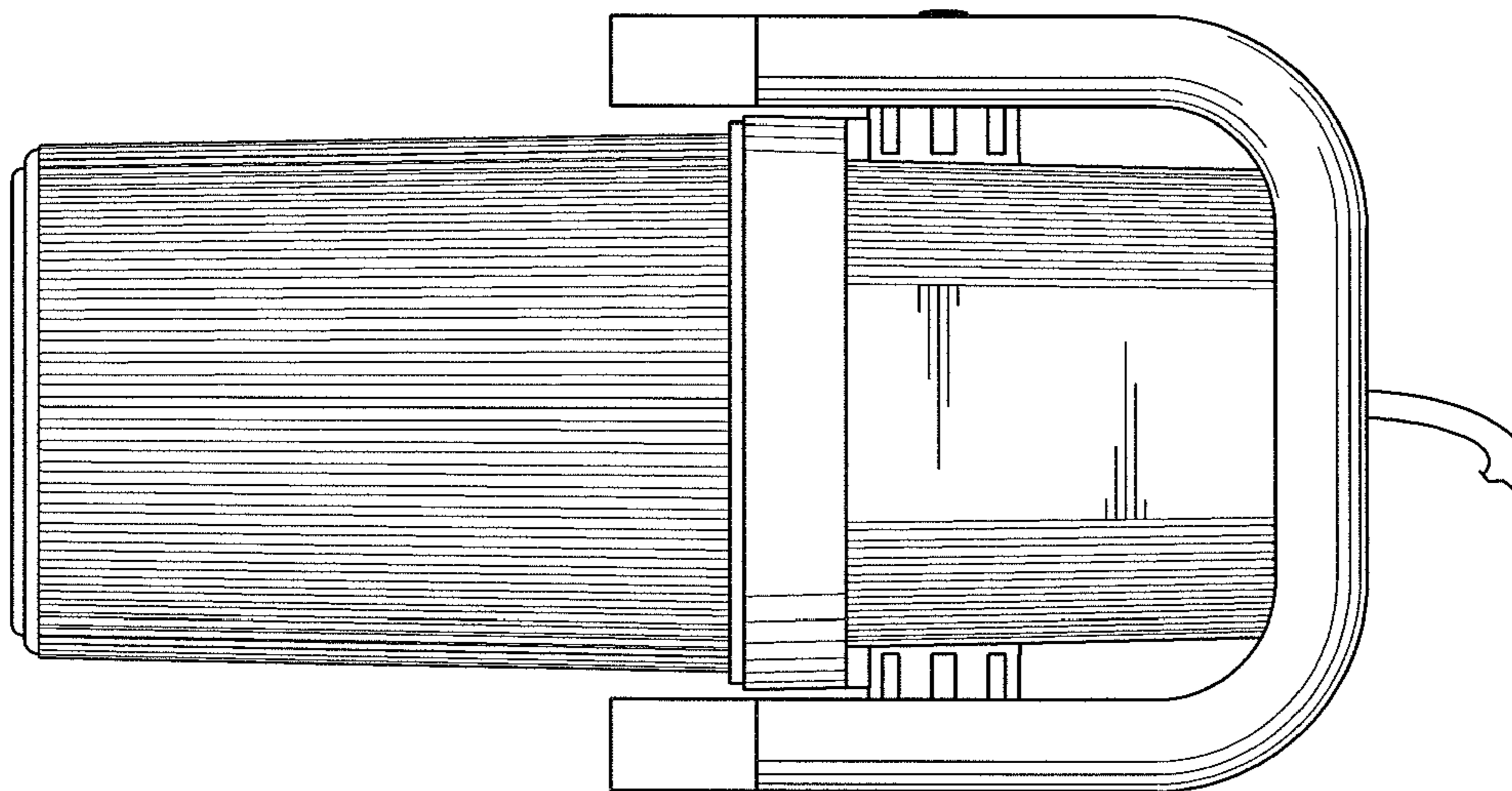


Fig. 7