



US00D626673S

(12) **United States Design Patent**
Kovacik et al.

(10) **Patent No.:** **US D626,673 S**
(45) **Date of Patent:** **** Nov. 2, 2010**

(54) **WORK LIGHT**

(75) Inventors: **James D. Kovacik**, Breckville, OH
(US); **Paul S. Blanch**, Broadview
Heights, OH (US)

(73) Assignee: **Alert Safety Lite Products Co., Inc.**,
Bedford Heights, OH (US)

(**) Term: **14 Years**

(21) Appl. No.: **29/355,238**

(22) Filed: **Feb. 4, 2010**

(51) **LOC (9) Cl.** **26-02**

(52) **U.S. Cl.** **D26/42; D26/38**

(58) **Field of Classification Search** D26/37,
D26/38, 39, 40, 41, 42, 46; 362/103, 104,
362/105, 106, 108, 157, 158, 174, 183, 184,
362/190, 191, 200-208, 253

See application file for complete search history.

(56) **References Cited**

U.S. PATENT DOCUMENTS

D320,463 S *	10/1991	Pettersen et al.	D26/37
D389,931 S	1/1998	Kovacik et al.		
D409,776 S *	5/1999	Ghode et al.	D26/42
5,921,658 A	7/1999	Kovacik et al.		
D418,238 S *	12/1999	Offiler	D26/42
D441,888 S *	5/2001	Haneda et al.	D26/42
D458,400 S	6/2002	Kovacik et al.		
6,663,265 B2	12/2003	Kovacik et al.		
6,722,774 B2	4/2004	Kovacik et al.		
D501,687 S	2/2005	Kovacik et al.		
D501,688 S	2/2005	Kovacik et al.		
D502,276 S	2/2005	Kovacik et al.		

D504,968 S *	5/2005	Bayat et al.	D26/42
D509,010 S	8/2005	Kovacik et al.		
D519,659 S *	4/2006	Yuen	D26/42
D523,577 S *	6/2006	Bayat et al.	D26/42
D527,478 S	8/2006	Kovacik et al.		
7,090,381 B2	8/2006	Kovacik et al.		
D528,240 S	9/2006	Kovacik et al.		
7,175,303 B2	2/2007	Kovacik et al.		
D538,457 S	3/2007	Kovacik et al.		
D541,962 S *	5/2007	Bayat et al.	D26/42
7,325,944 B2	2/2008	Kovacik et al.		
7,338,189 B2	3/2008	Kovacik et al.		
7,527,392 B2	5/2009	Kovacik et al.		

* cited by examiner

Primary Examiner—Charles A Rademaker

Assistant Examiner—Carissa C Fitts

(74) *Attorney, Agent, or Firm*—Fraser Clemens Marin &
Miller LLC; William J. Clemens

(57) **CLAIM**

The ornamental design for a work light, as shown.

DESCRIPTION

FIG. 1 is a front perspective view of a work light of the present invention;

FIG. 2 is a front elevation view thereof;

FIG. 3 is a rear elevation view thereof;

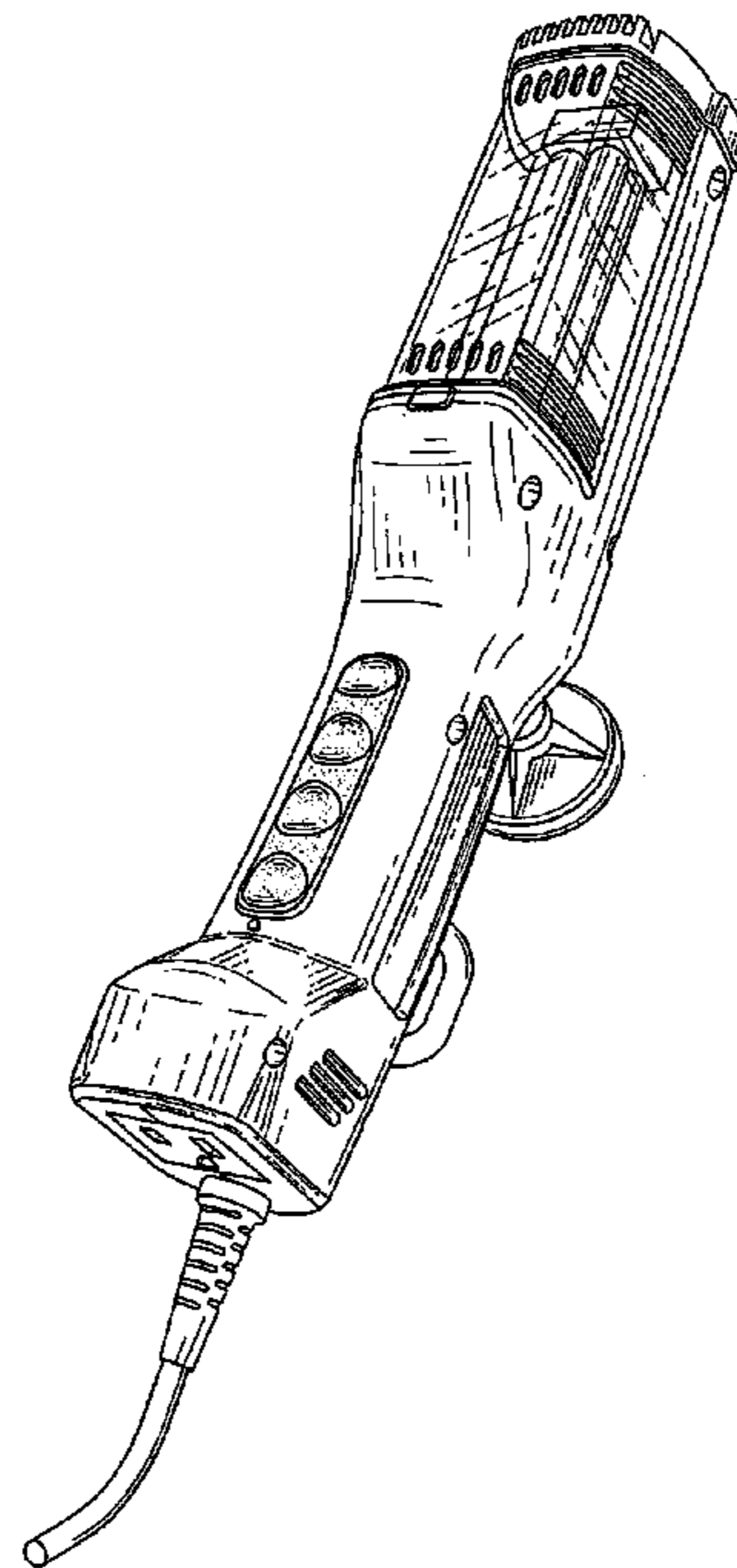
FIG. 4 is a top elevation view thereof;

FIG. 5 is a bottom elevation view thereof;

FIG. 6 is a right side elevation view thereof; and,

FIG. 7 is a left side elevation view thereof.

1 Claim, 4 Drawing Sheets



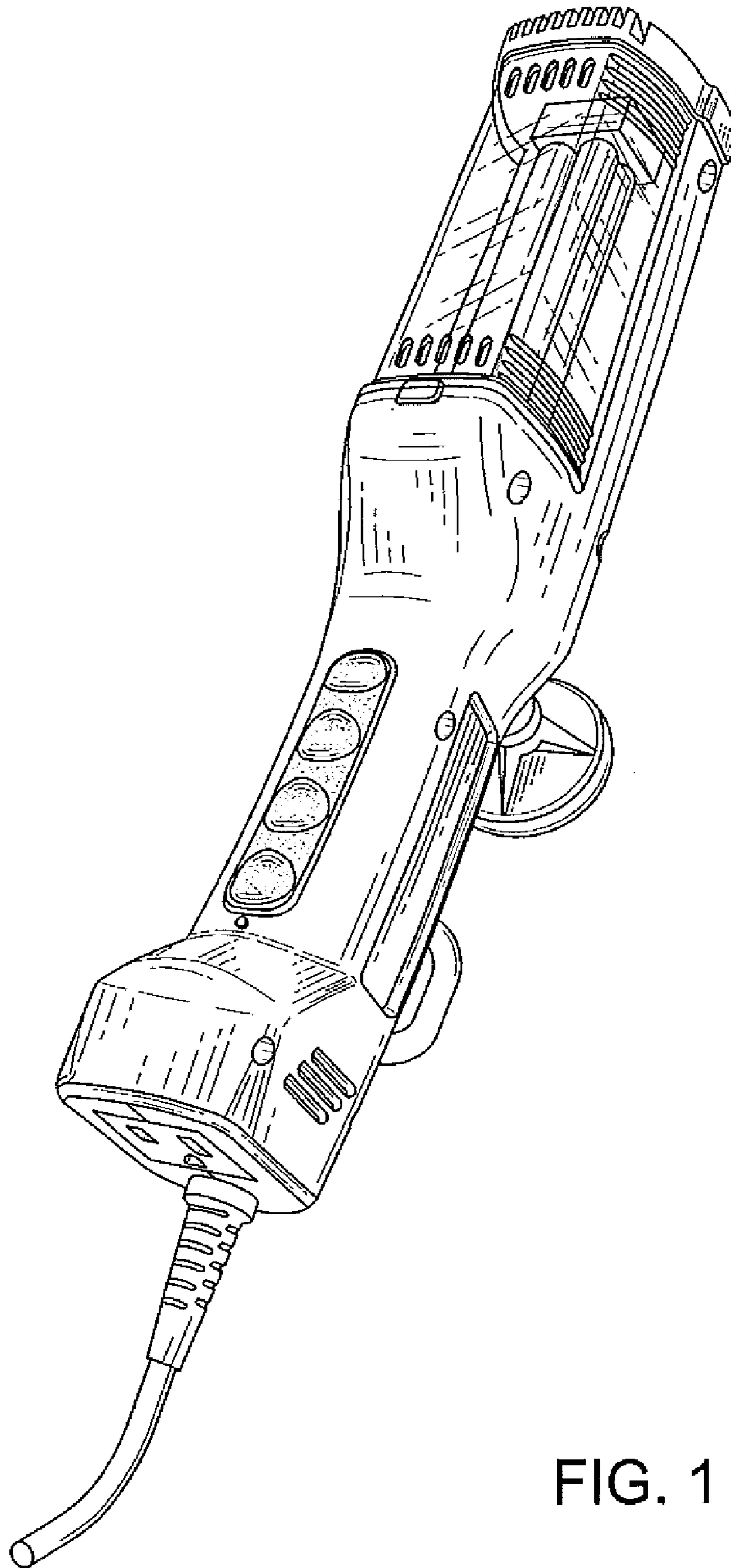


FIG. 1

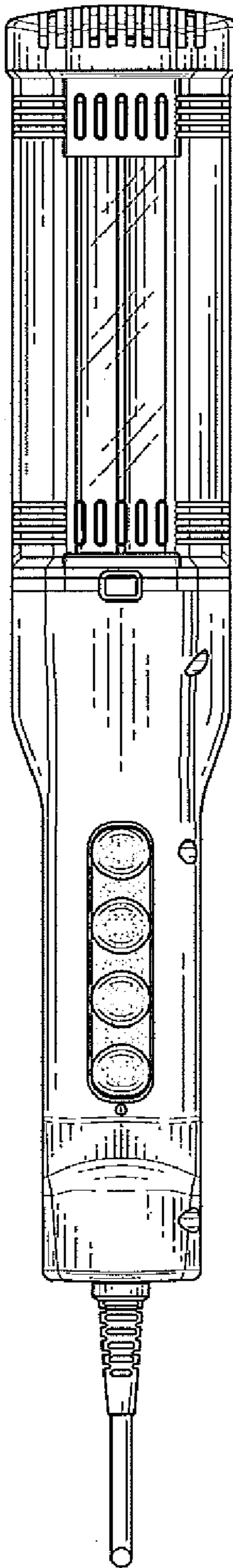


FIG. 2

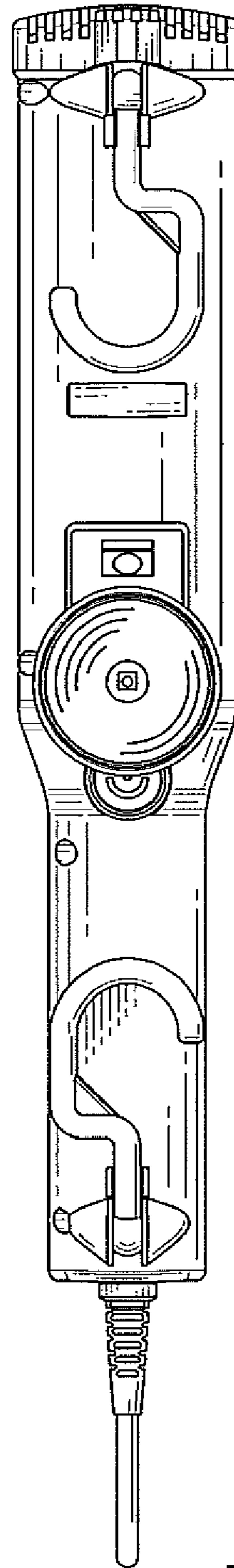


FIG. 3

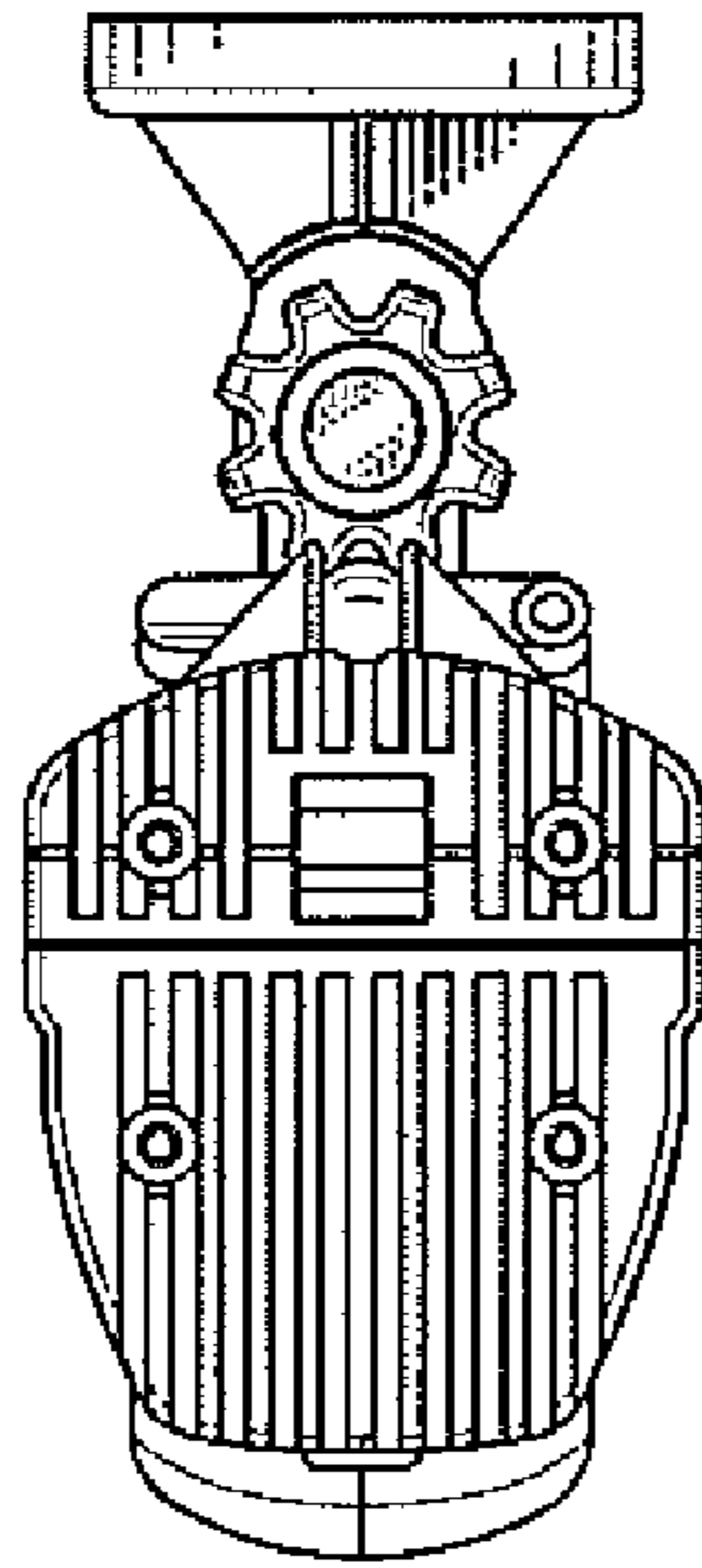


FIG. 4

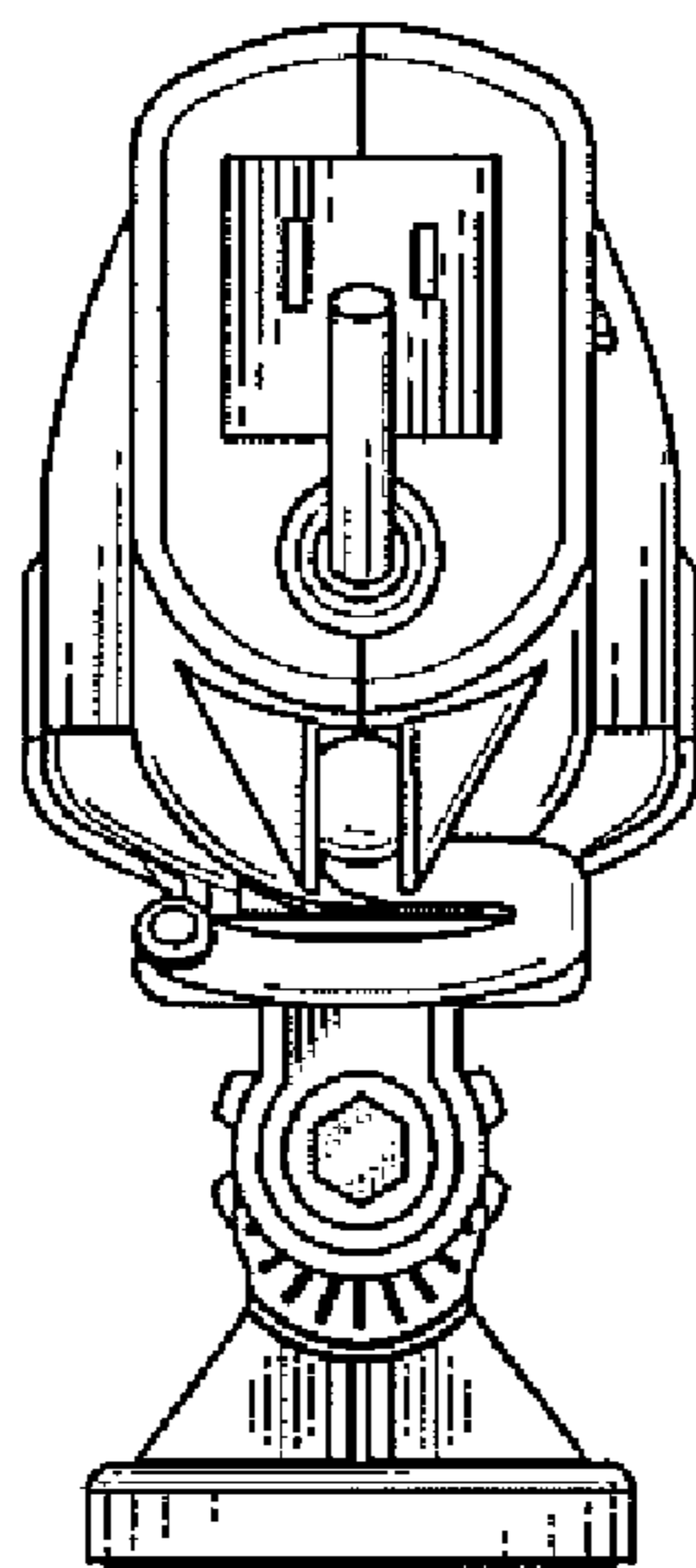


FIG. 5

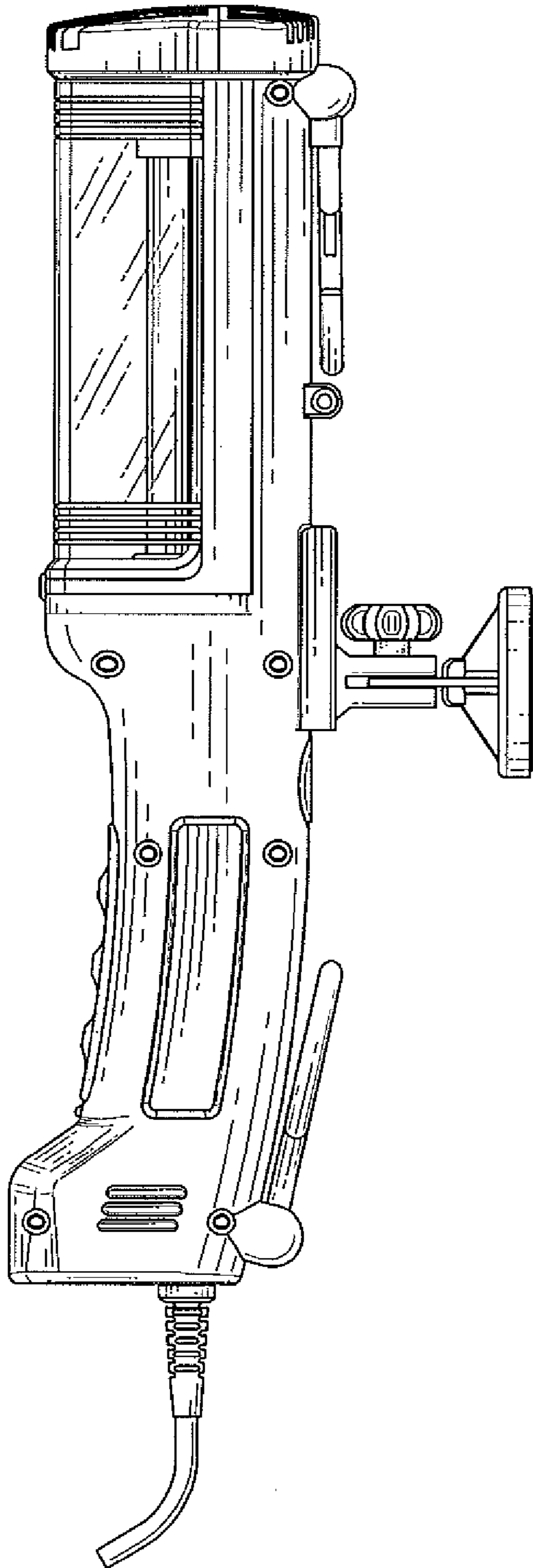


FIG. 6

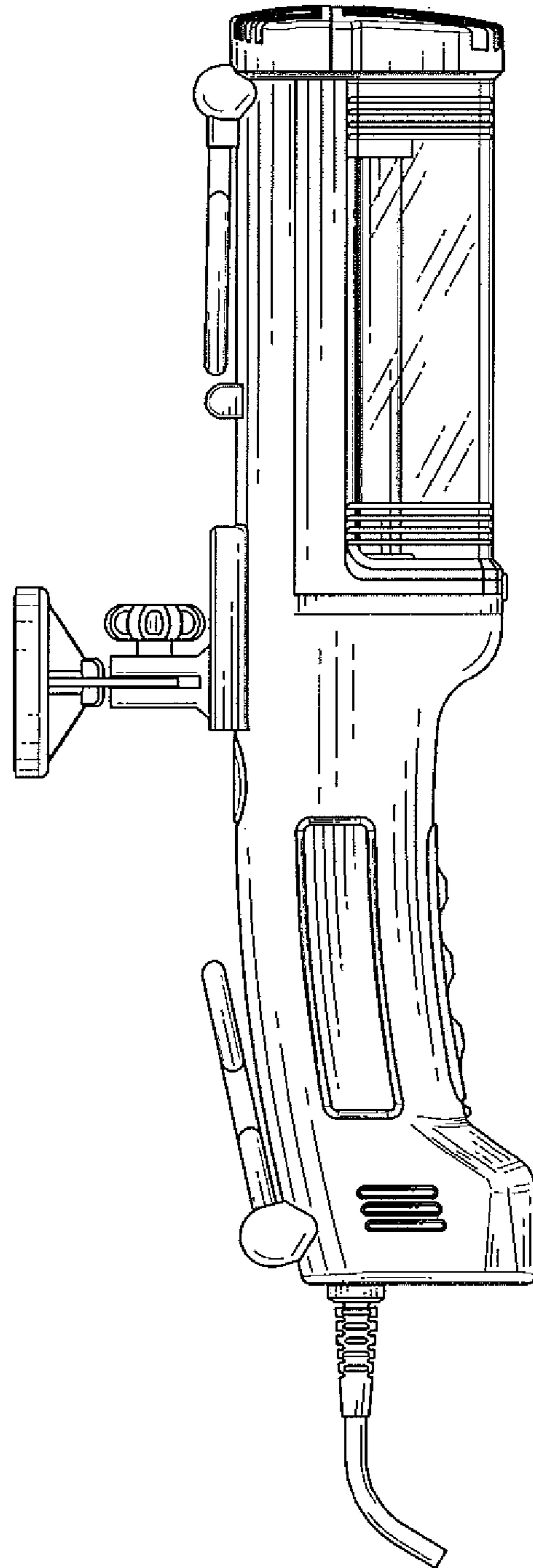


FIG. 7