



US00D626670S

(12) **United States Design Patent**
Metzger et al.

(10) **Patent No.:** **US D626,670 S**

(45) **Date of Patent:** **** Nov. 2, 2010**

(54) **LAMP**

(75) Inventors: **Vincent Metzger**, Nancy (FR);
Jean-Paul Charlier, Eply (FR); **Patrick Joanas**, Saizerais (FR)

(73) Assignee: **Koninklijke Philips Electronics N.V.**,
Eindhoven (NL)

(**) Term: **14 Years**

(21) Appl. No.: **29/352,854**

(22) Filed: **Dec. 29, 2009**

(30) **Foreign Application Priority Data**

Jul. 9, 2009 (EM) 001576042-0001

(51) **LOC (9) Cl.** **26-06**

(52) **U.S. Cl.** **D26/28**

(58) **Field of Classification Search** D26/28-36;
362/459-468, 475-478, 485-487
See application file for complete search history.

(56) **References Cited**

U.S. PATENT DOCUMENTS

D470,257 S * 2/2003 Byggmestar D26/28
D477,427 S * 7/2003 Mazziotti D26/28

D545,457 S * 6/2007 Chen D26/2
D551,364 S * 9/2007 Hoffman D26/28
D584,428 S * 1/2009 Li et al. D26/2
D587,384 S * 2/2009 Wei D26/2
D592,766 S * 5/2009 Zhu et al. D26/2
D601,275 S * 9/2009 Ho et al. D26/2
D607,587 S * 1/2010 Ko D26/2
D610,275 S * 2/2010 Cho D26/2
D612,956 S * 3/2010 Moon D26/2
D613,433 S * 4/2010 Moon D26/2

* cited by examiner

Primary Examiner—Marcus A Jackson

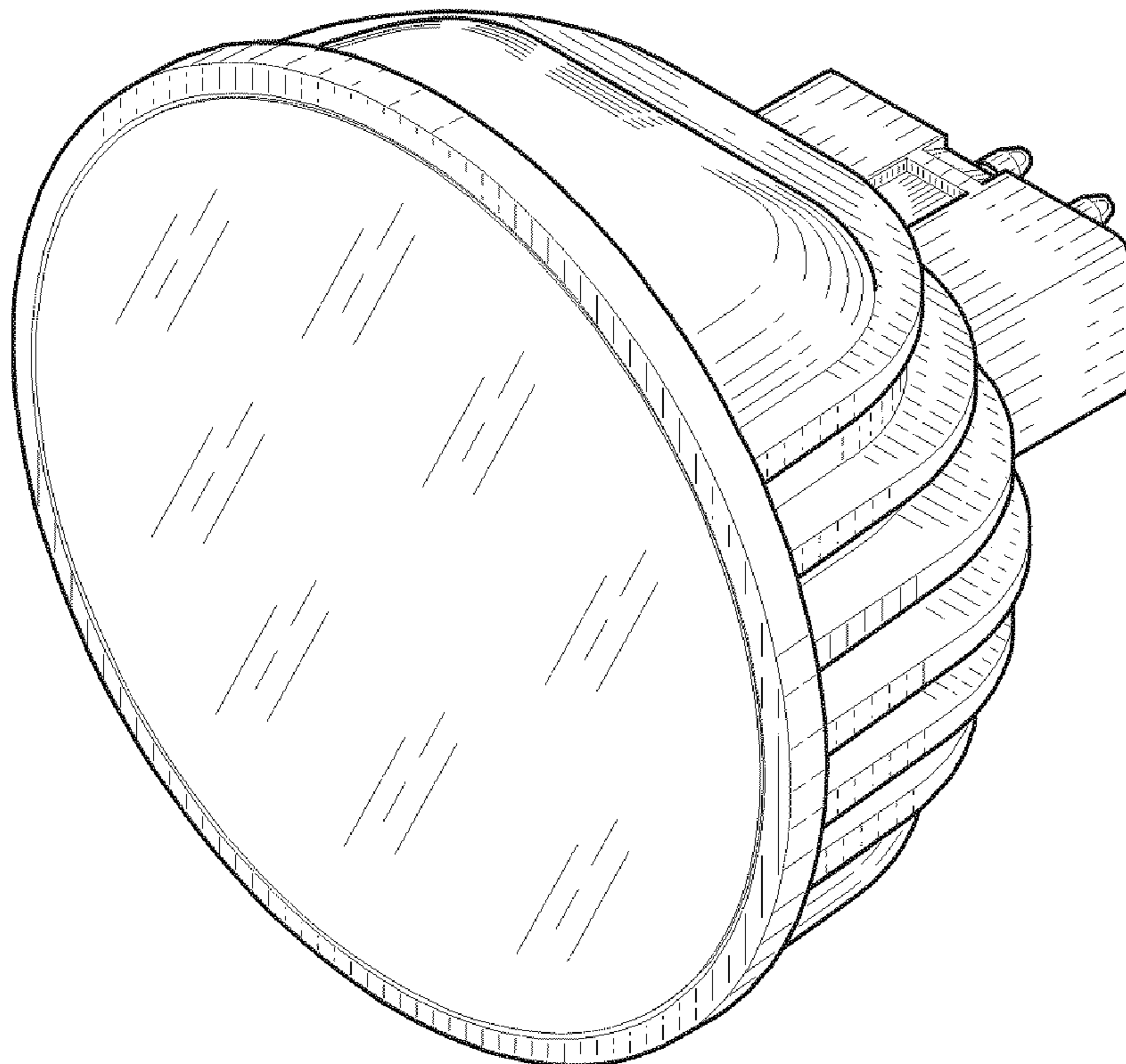
(57) **CLAIM**

The ornamental design for a lamp, as shown.

DESCRIPTION

FIG. 1 is a perspective view showing my design;
FIG. 2 is a front elevational view thereof;
FIG. 3 is a rear elevational view thereof;
FIG. 4 is a right side elevational view thereof;
FIG. 5 is a left side elevational view thereof;
FIG. 6 is a top plan view thereof; and,
FIG. 7 is a bottom plan view thereof.

1 Claim, 4 Drawing Sheets



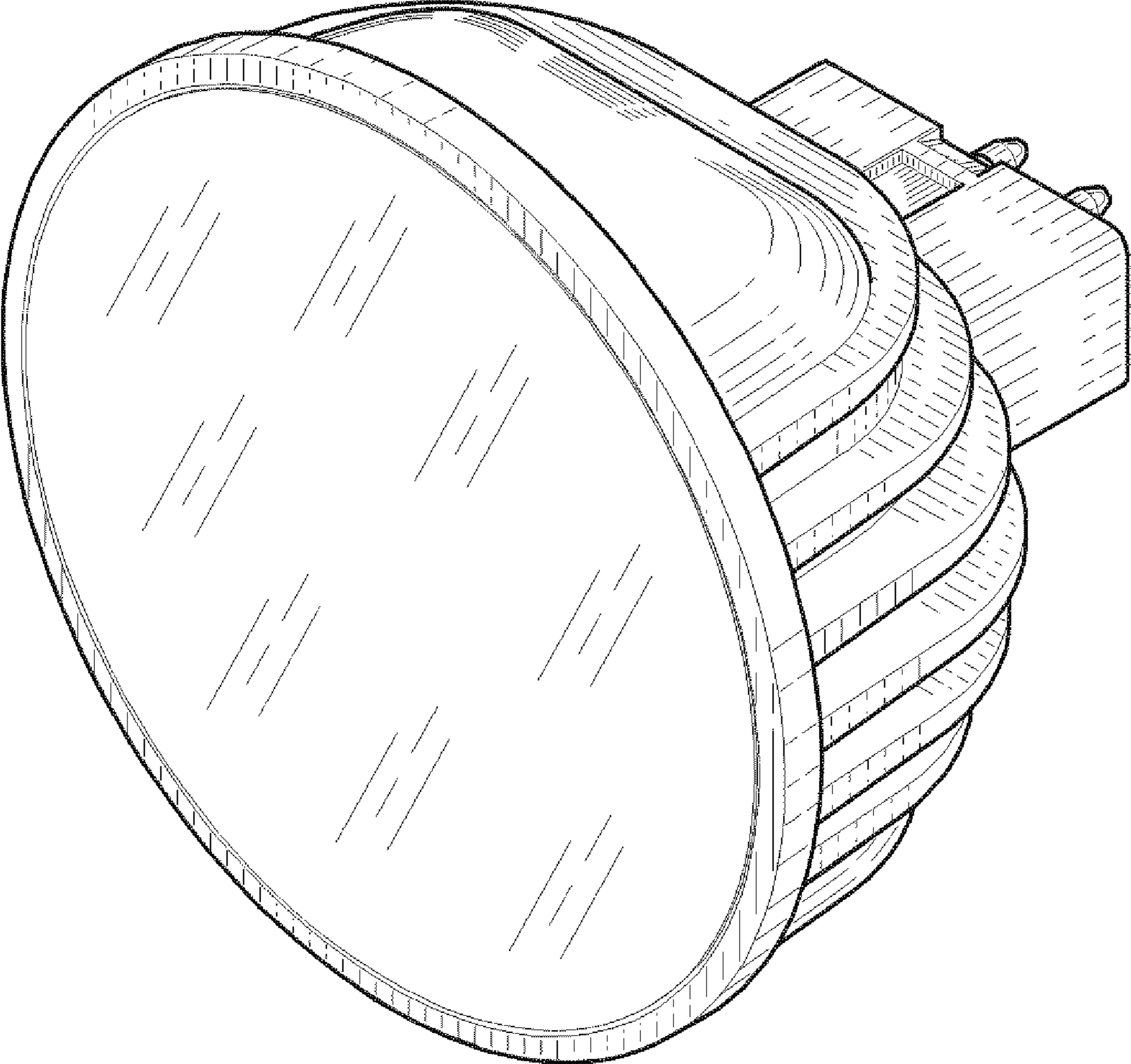


FIG. 1

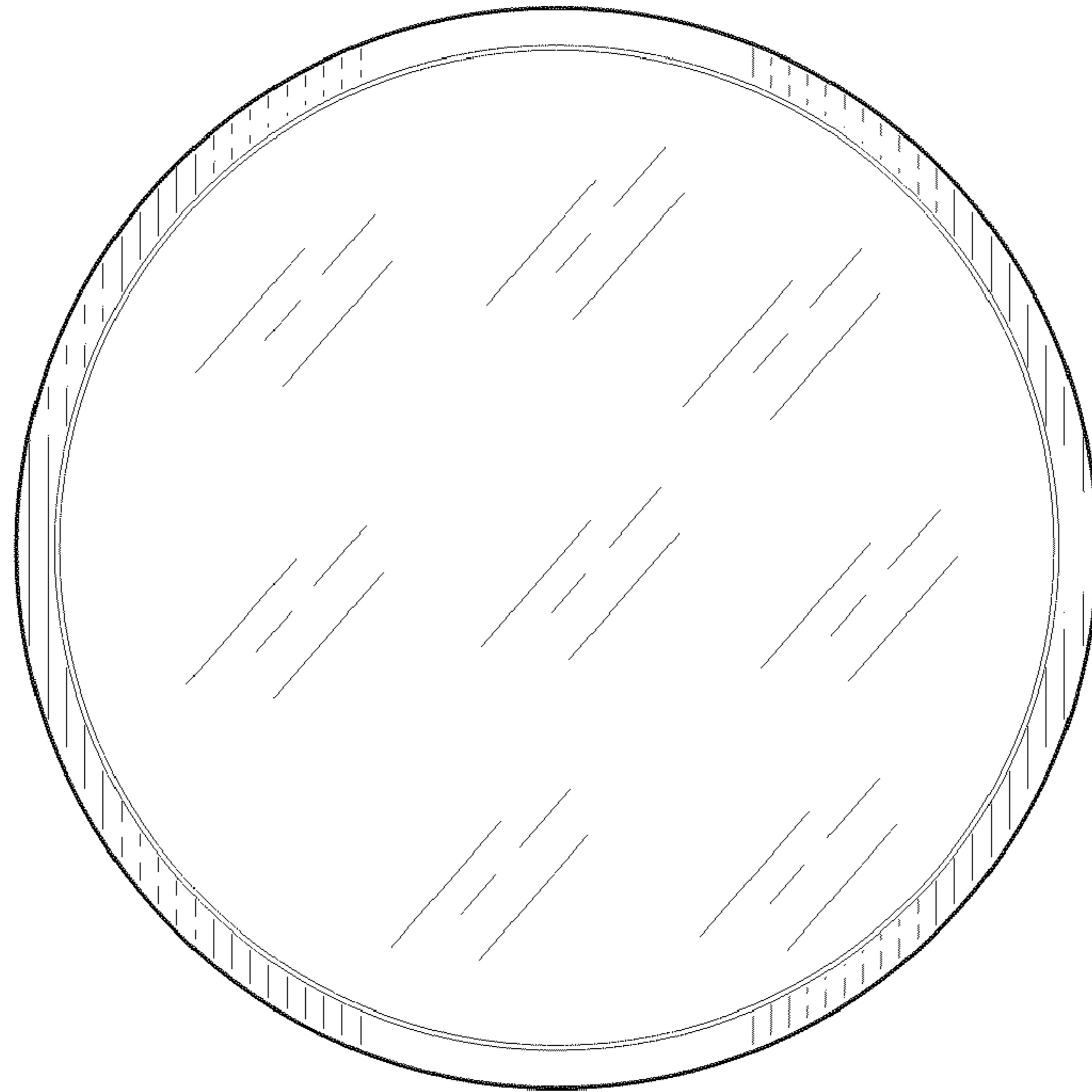


FIG. 2

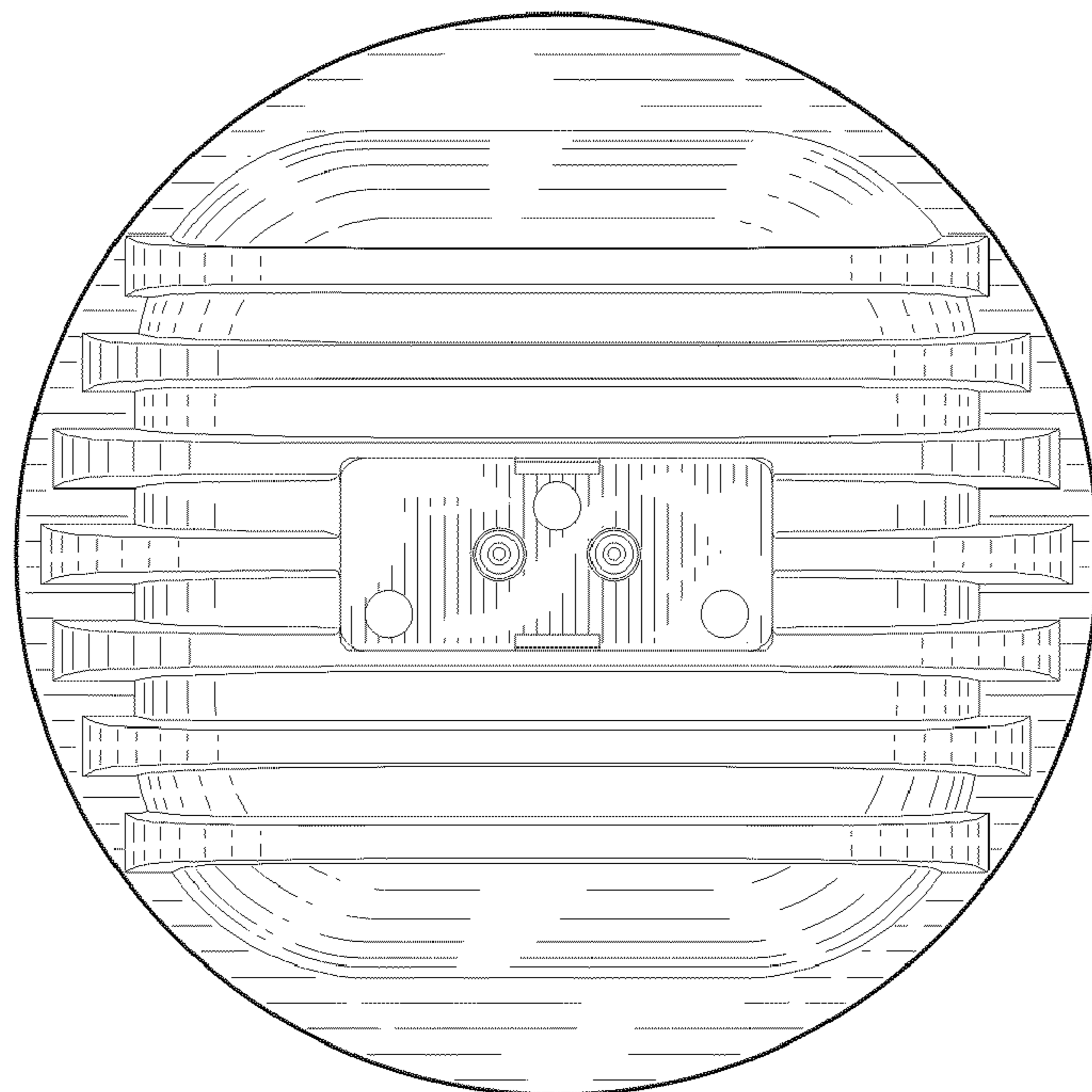


FIG. 3

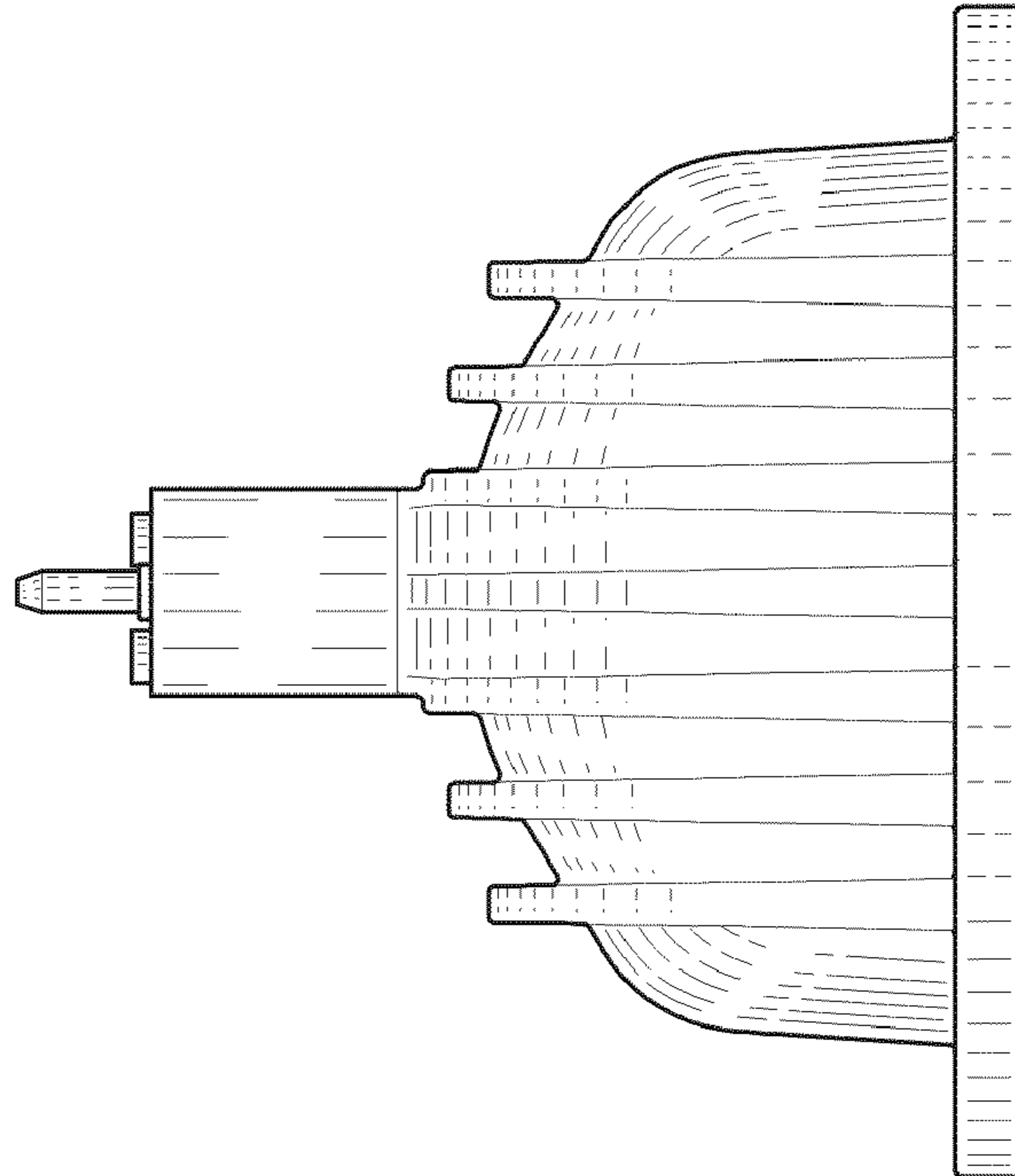


FIG. 4

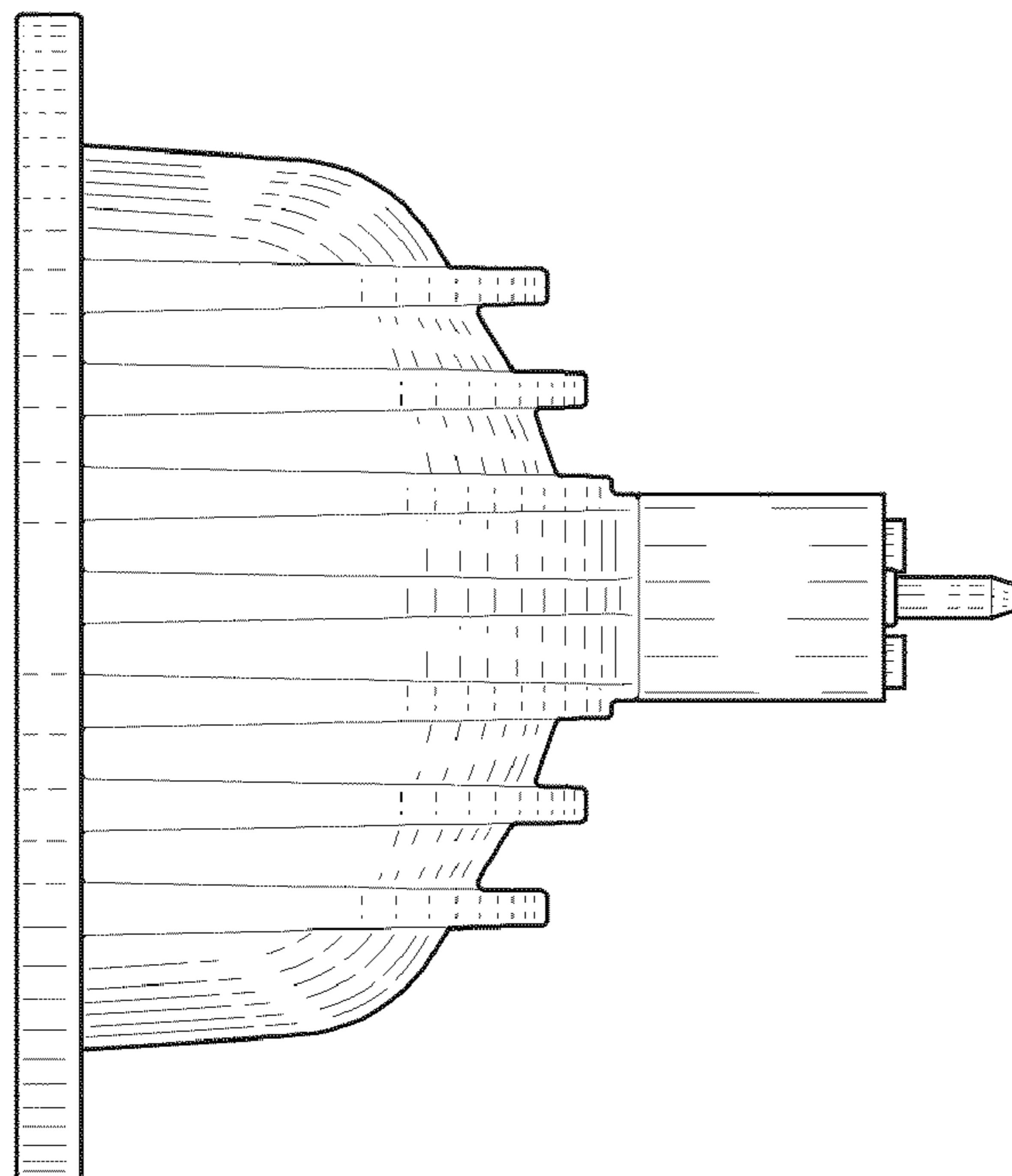


FIG. 5

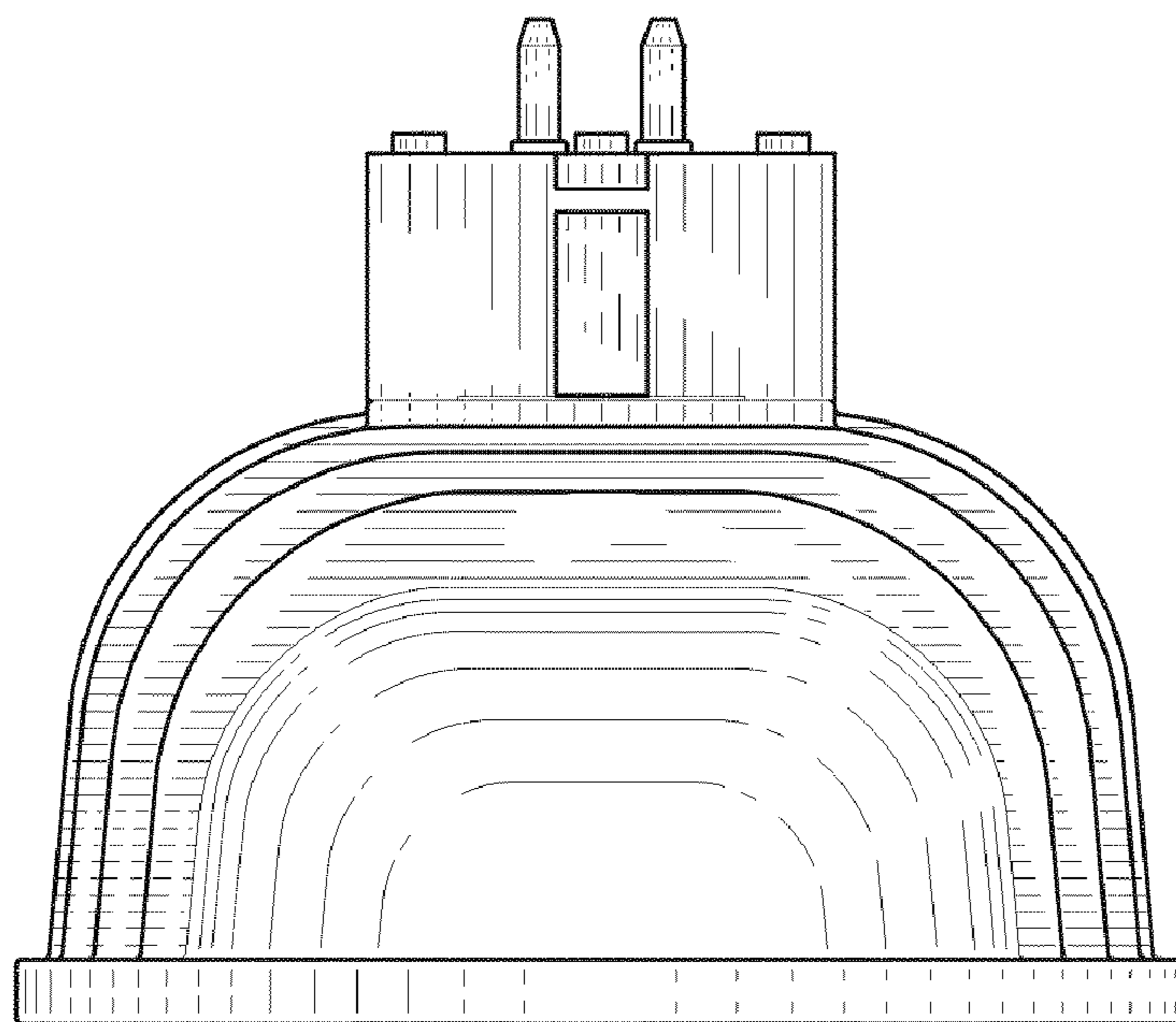


FIG. 6

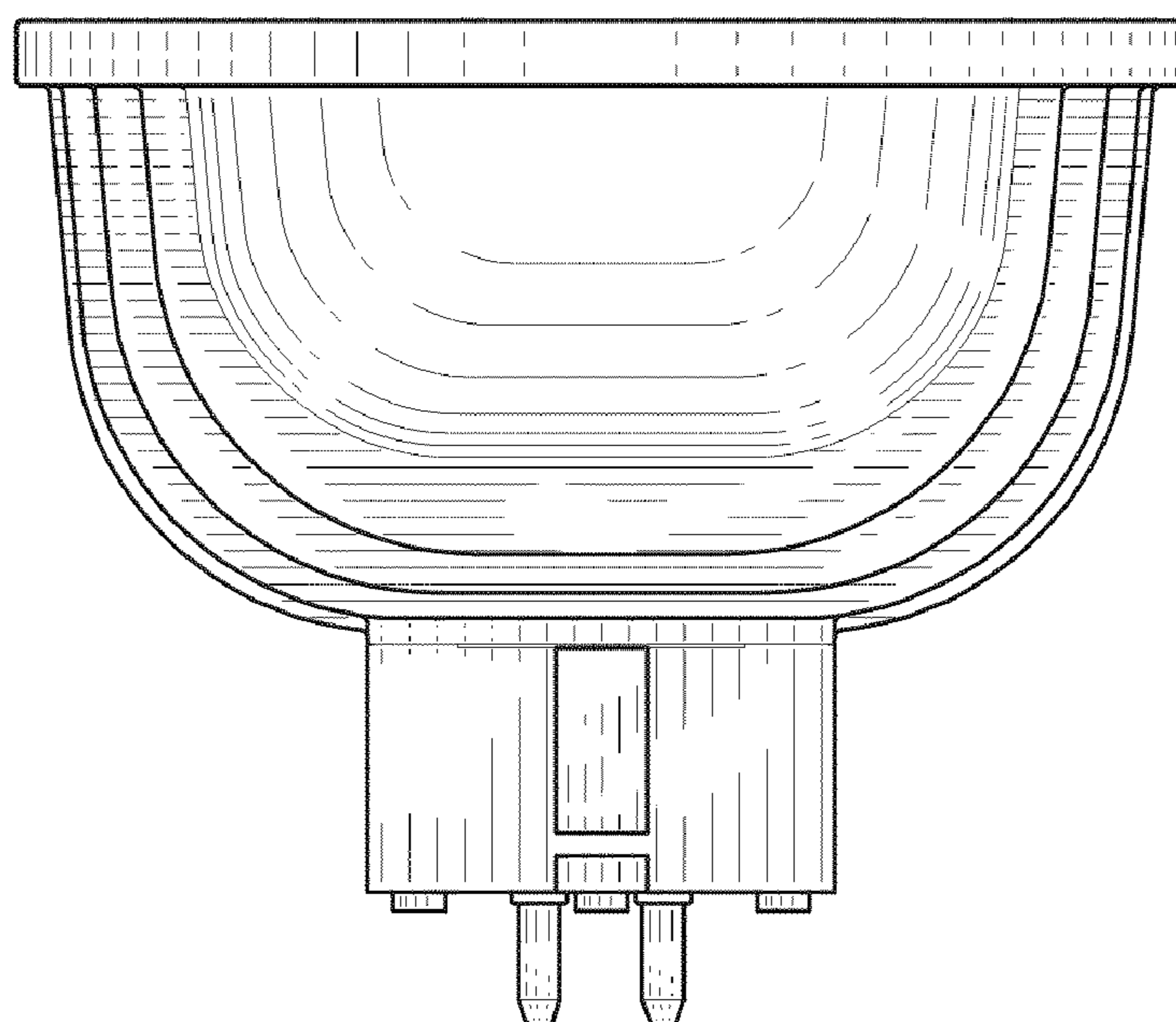


FIG. 7