



US00D626668S

(12) **United States Design Patent**  
**Grebert et al.**

(10) **Patent No.:** **US D626,668 S**  
(45) **Date of Patent:** **\*\* Nov. 2, 2010**

(54) **REFLECTOR FOR A VEHICLE LAMP**

(75) Inventors: **Olivier Grebert**, Ronchin (FR); **Cyril Herbin**, Potelle (FR); **Benony Grigorescu**, Waterloo (BE); **Nicolas Simmet**, Villeneuve d'Ascq (FR)

(73) Assignee: **Valeo Vision S.A.S.**, Bobigny (FR)

(\*\*) Term: **14 Years**

(21) Appl. No.: **29/345,202**

(22) Filed: **Oct. 12, 2009**

(30) **Foreign Application Priority Data**

Oct. 9, 2009 (WO) ..... 516142001

(51) **LOC (9) Cl.** ..... **26-06**

(52) **U.S. Cl.** ..... **D26/28**

(58) **Field of Classification Search** ..... D26/28-36;  
362/459-468, 475-478, 485-487  
See application file for complete search history.

(56) **References Cited**

**U.S. PATENT DOCUMENTS**

D503,004 S 3/2005 Jiao et al.  
D535,409 S \* 1/2007 Yamaguchi ..... D26/28  
D535,764 S \* 1/2007 Yamaguchi ..... D26/28  
D563,576 S \* 3/2008 Hanaoka ..... D26/28  
D570,016 S \* 5/2008 Hsu ..... D26/28

**FOREIGN PATENT DOCUMENTS**

EP 000261870-0001 2/2005  
EP 000261870-0002 2/2005

EP 000267372-0001 2/2005  
EP 000344130-0001 7/2005  
EP 000237094-0001 3/2007  
EP 000237094-0002 3/2007  
EP 000237094-0003 3/2007  
EP 000377122-0001 1/2008  
FR 032187-002 5/2006  
WO DM/069808 4/2008

\* cited by examiner

*Primary Examiner*—Marcus A Jackson

(74) *Attorney, Agent, or Firm*—Oblon, Spivak, McClelland, Maier & Neustadt, L.L.P.

(57) **CLAIM**

The ornamental design for a reflector for a vehicle lamp, as shown and described.

**DESCRIPTION**

FIG. 1 is a front, top, and right side perspective view of a reflector for a vehicle lamp;

FIG. 2 is a front, bottom, and right side perspective view thereof;

FIG. 3 is a front elevational view thereof;

FIG. 4 is a rear elevational view thereof;

FIG. 5 is a left side elevational view thereof;

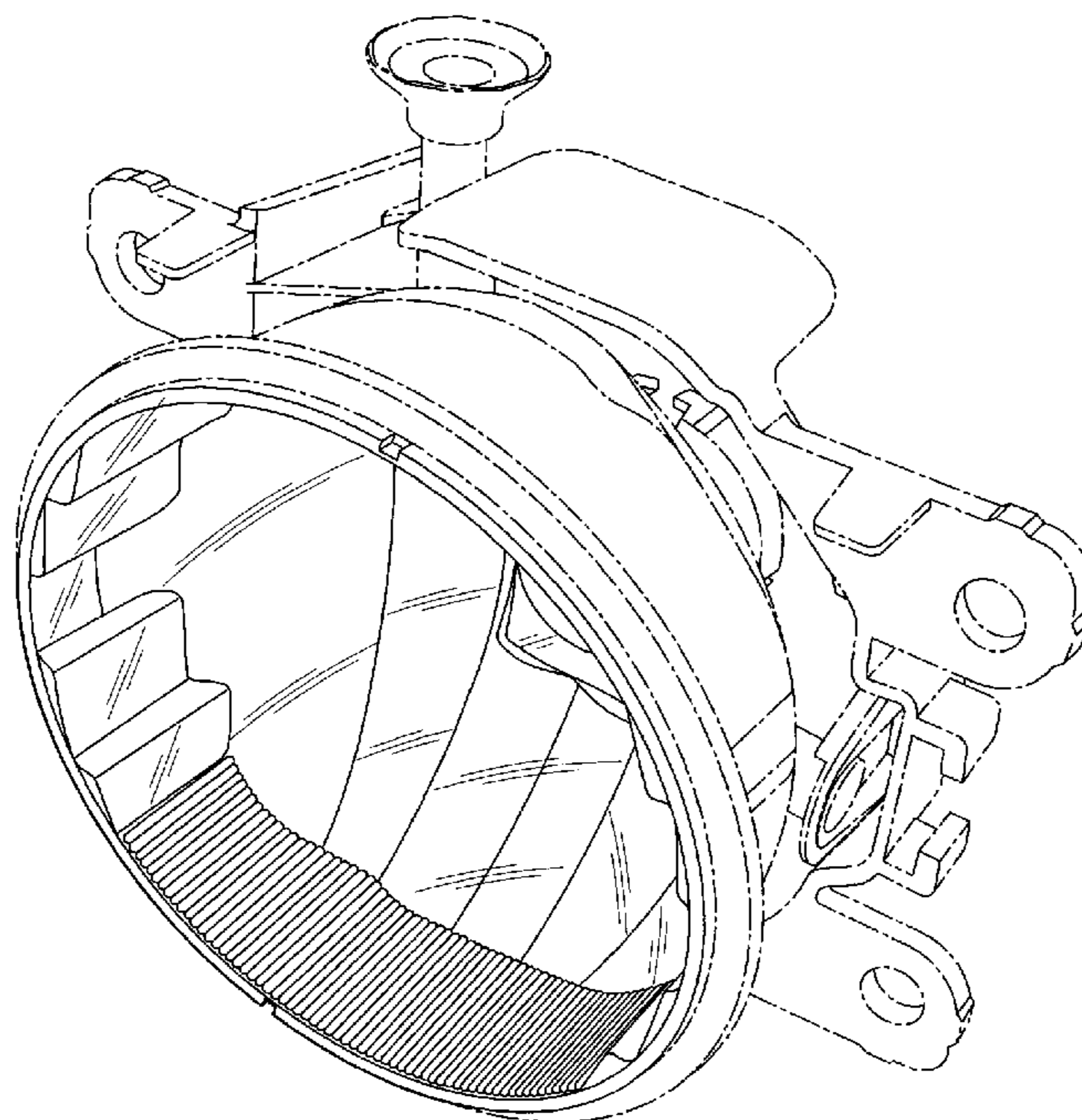
FIG. 6 is a right side elevational view thereof;

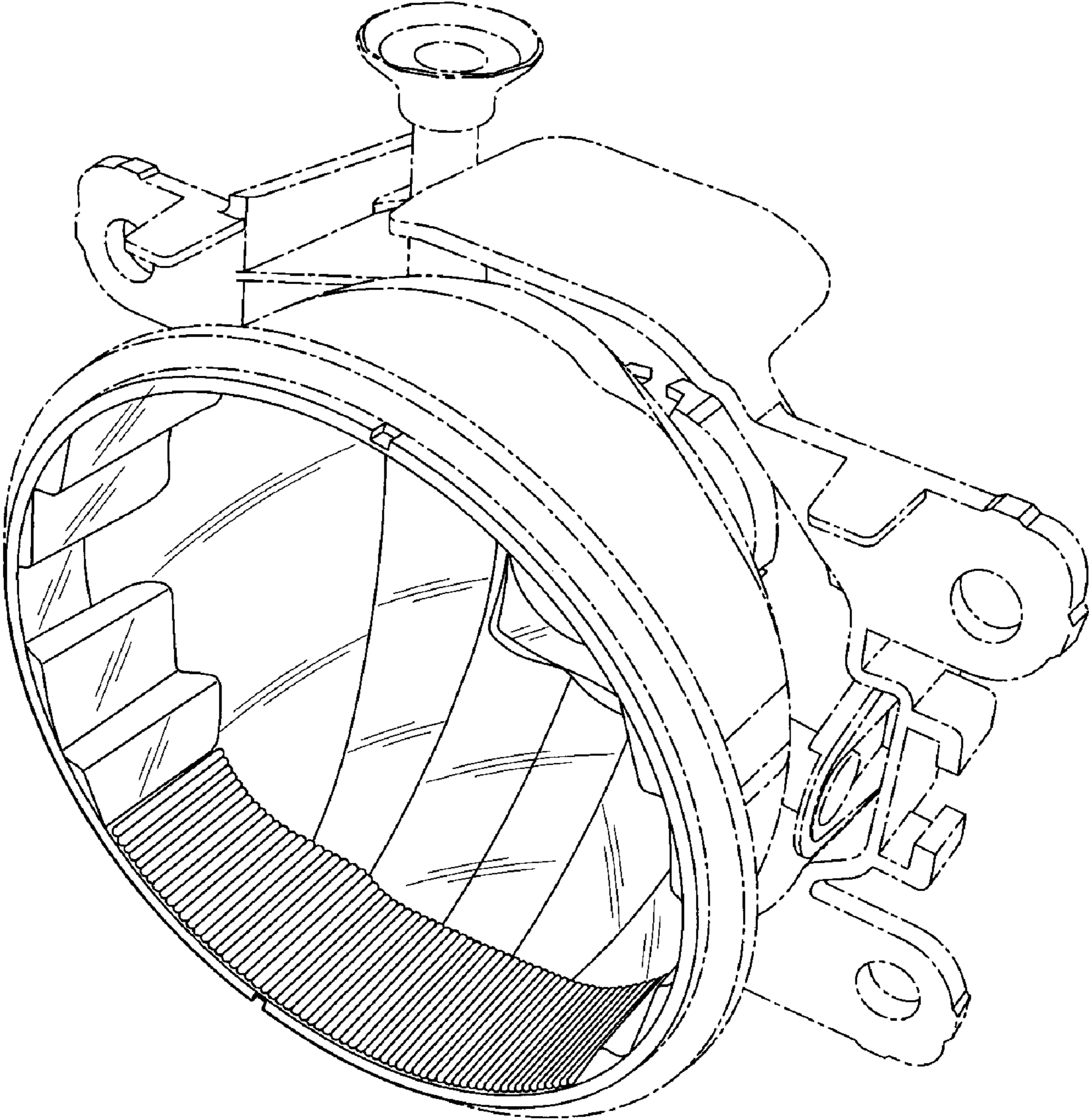
FIG. 7 is a bottom plan view thereof; and,

FIG. 8 is a top plan view thereof.

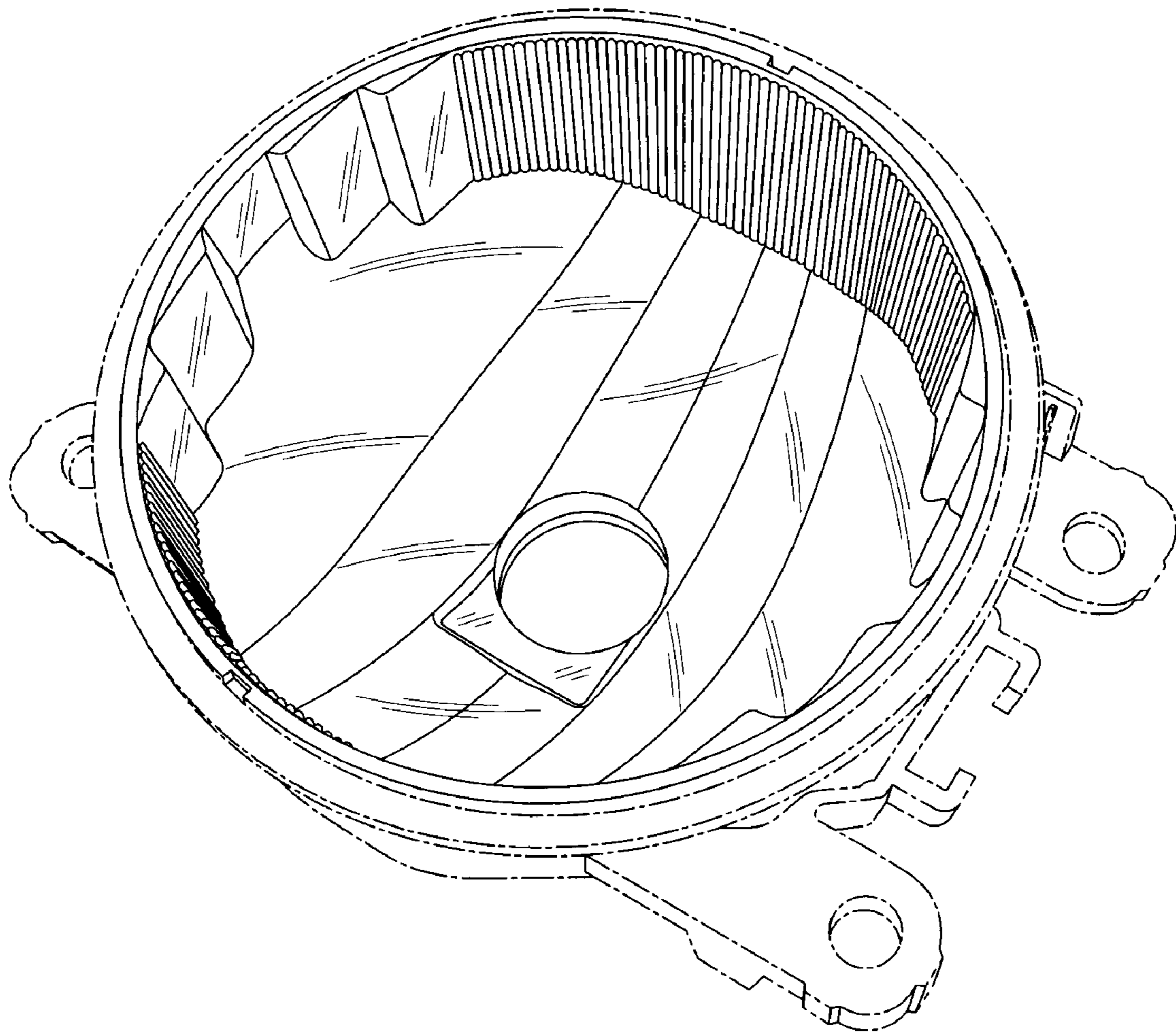
The broken lines in the drawings depict environmental subject matter only and form no part of the claimed design.

**1 Claim, 8 Drawing Sheets**



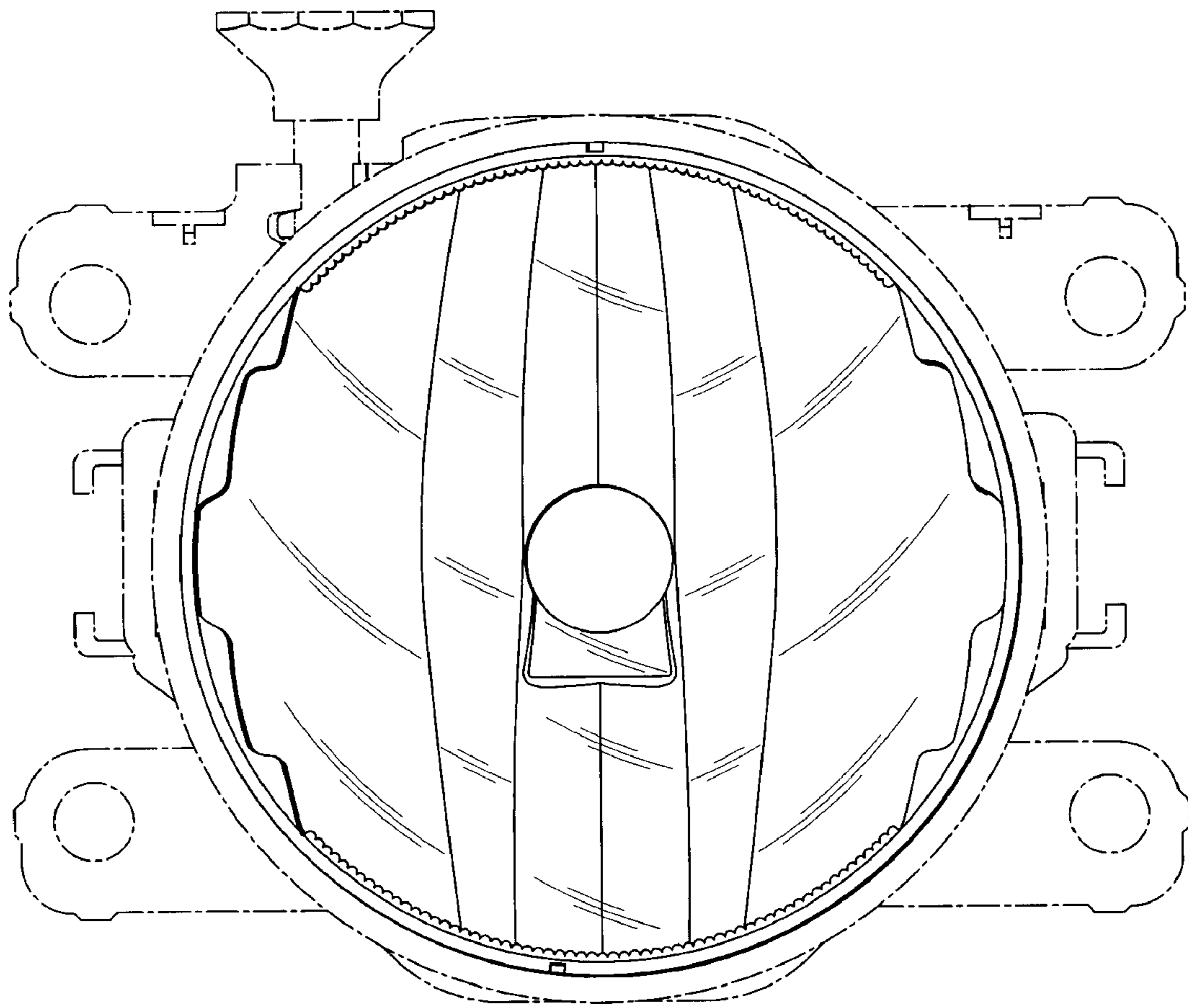


*Fig. 1*

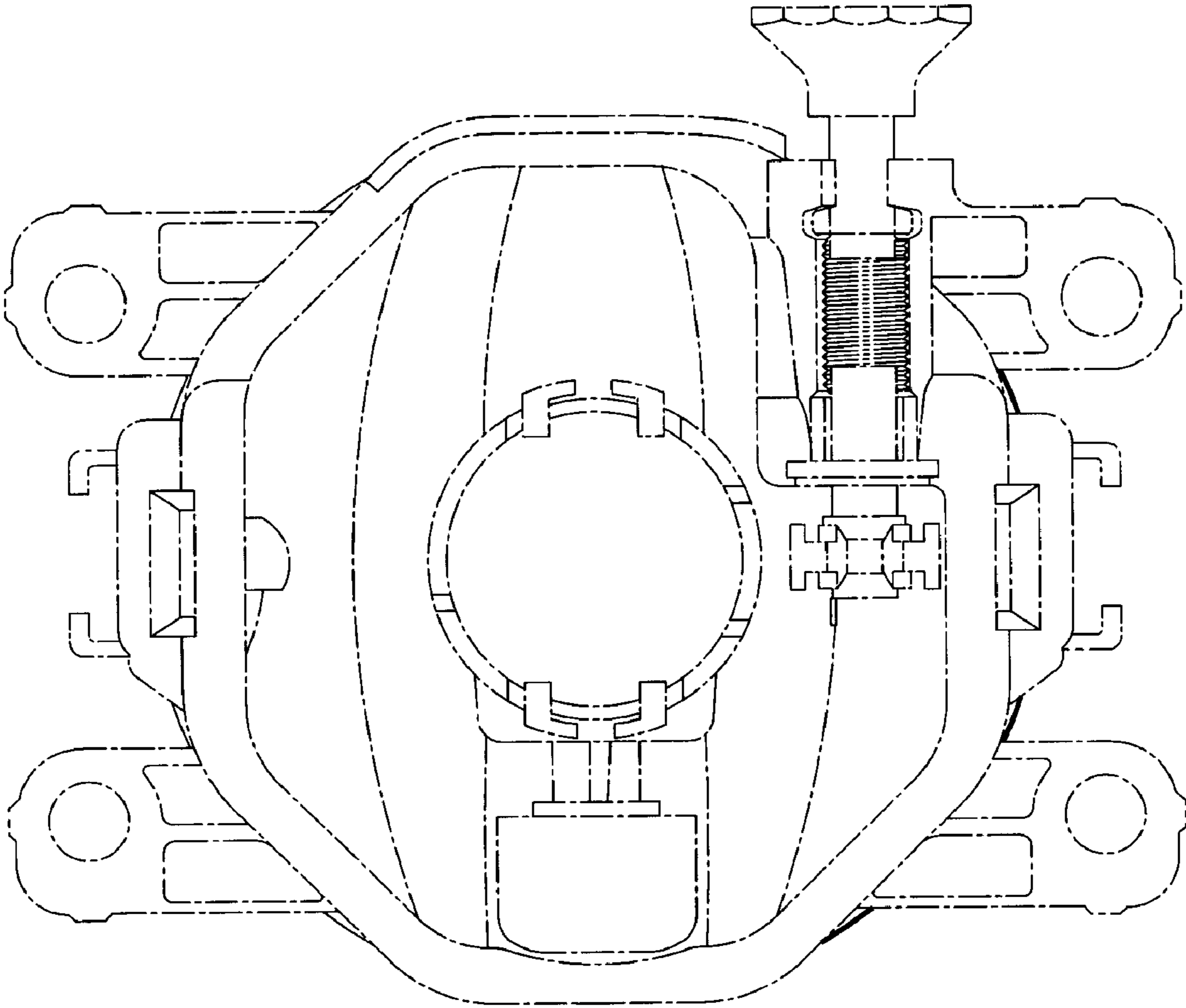


***Fig. 2***

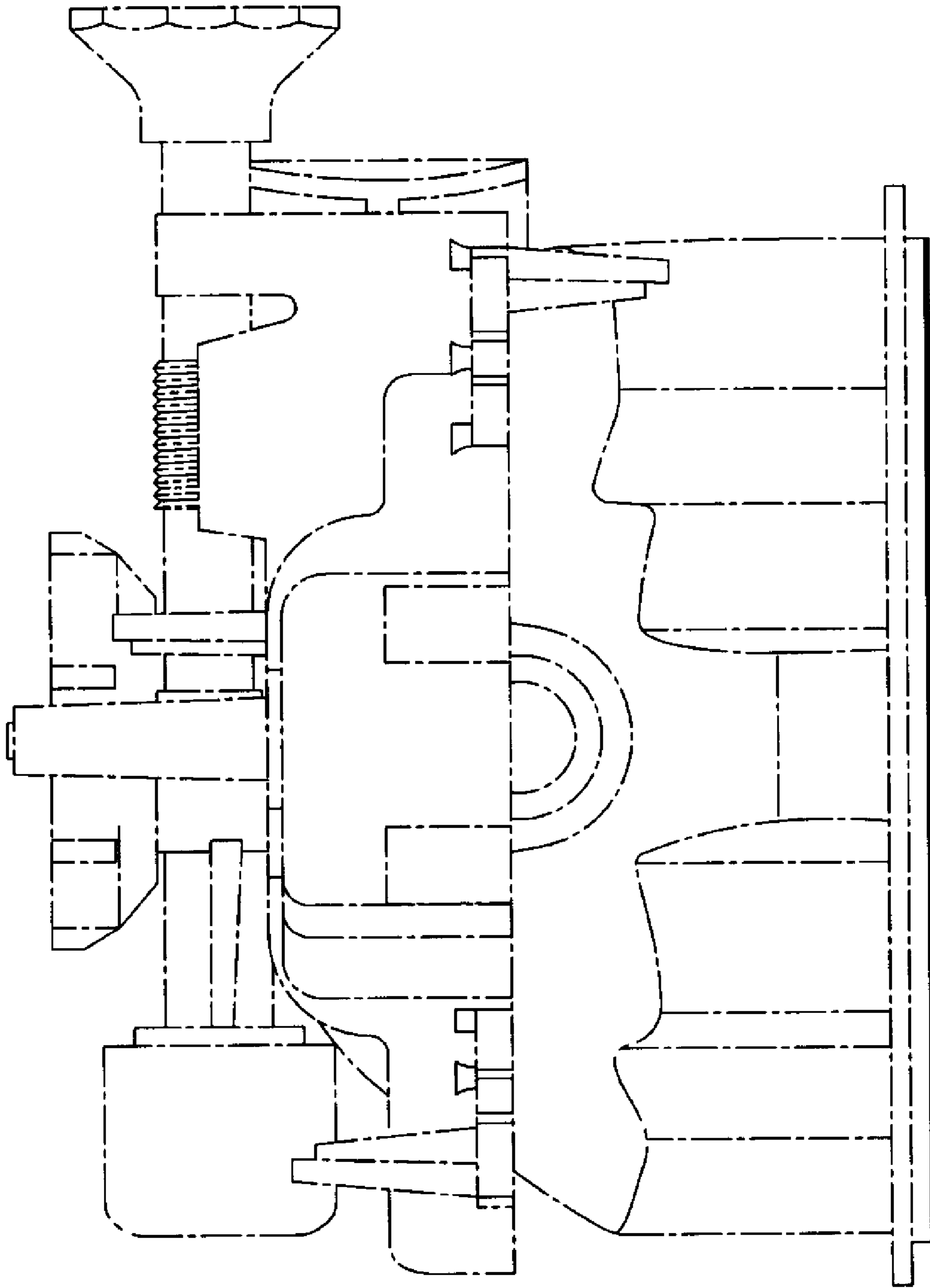




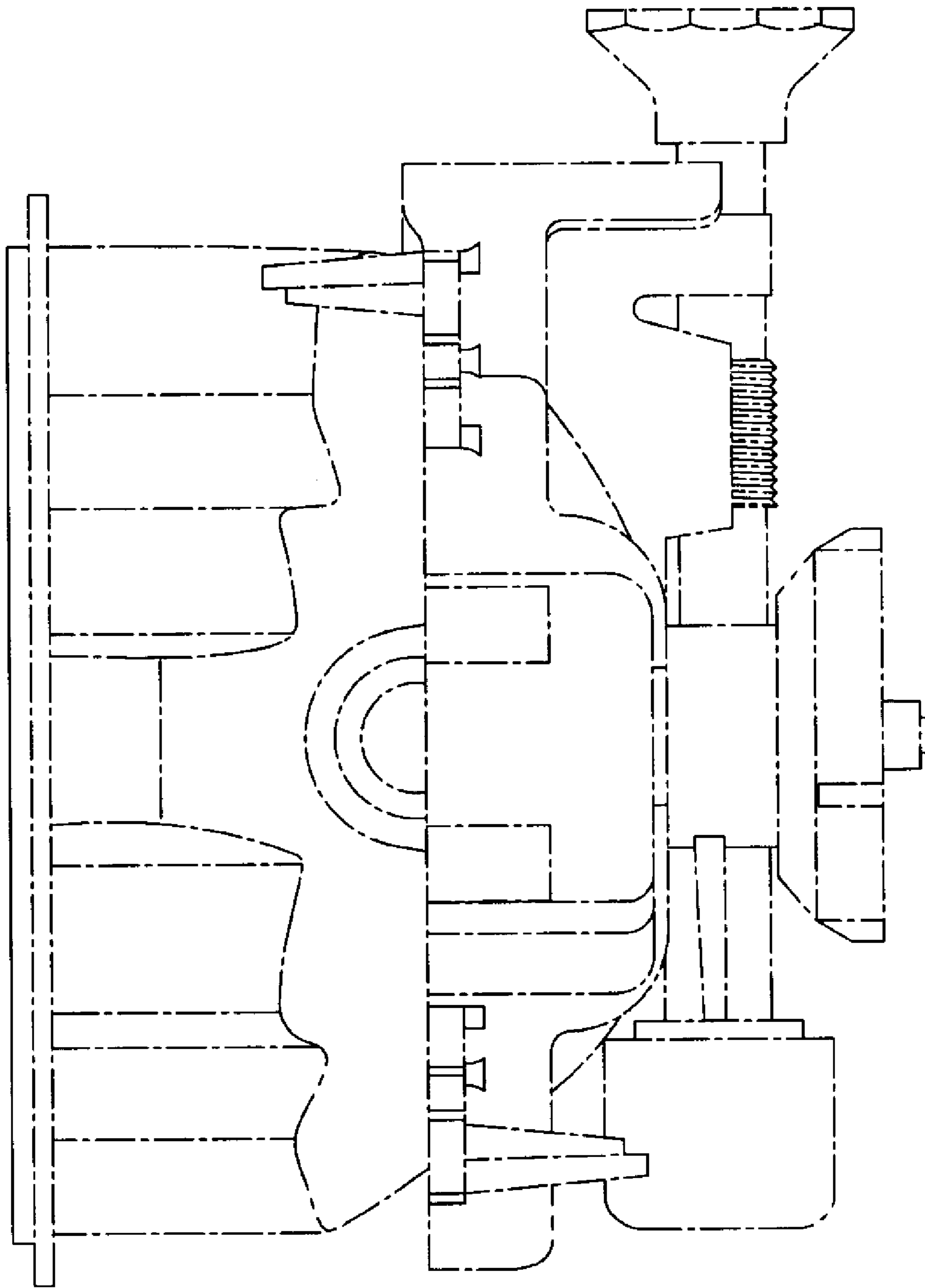
***Fig. 3***



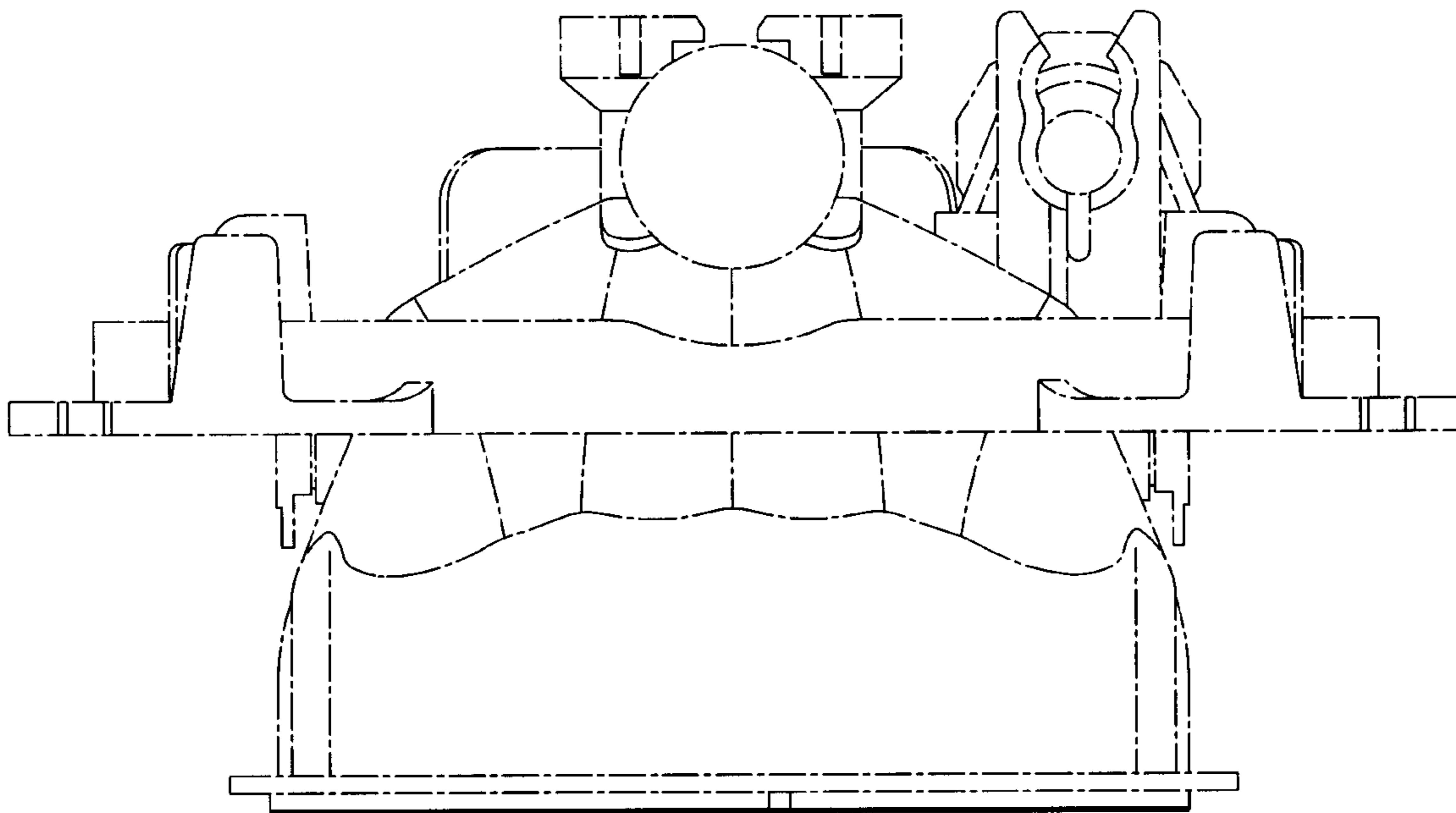
*Fig. 4*



*Fig. 5*

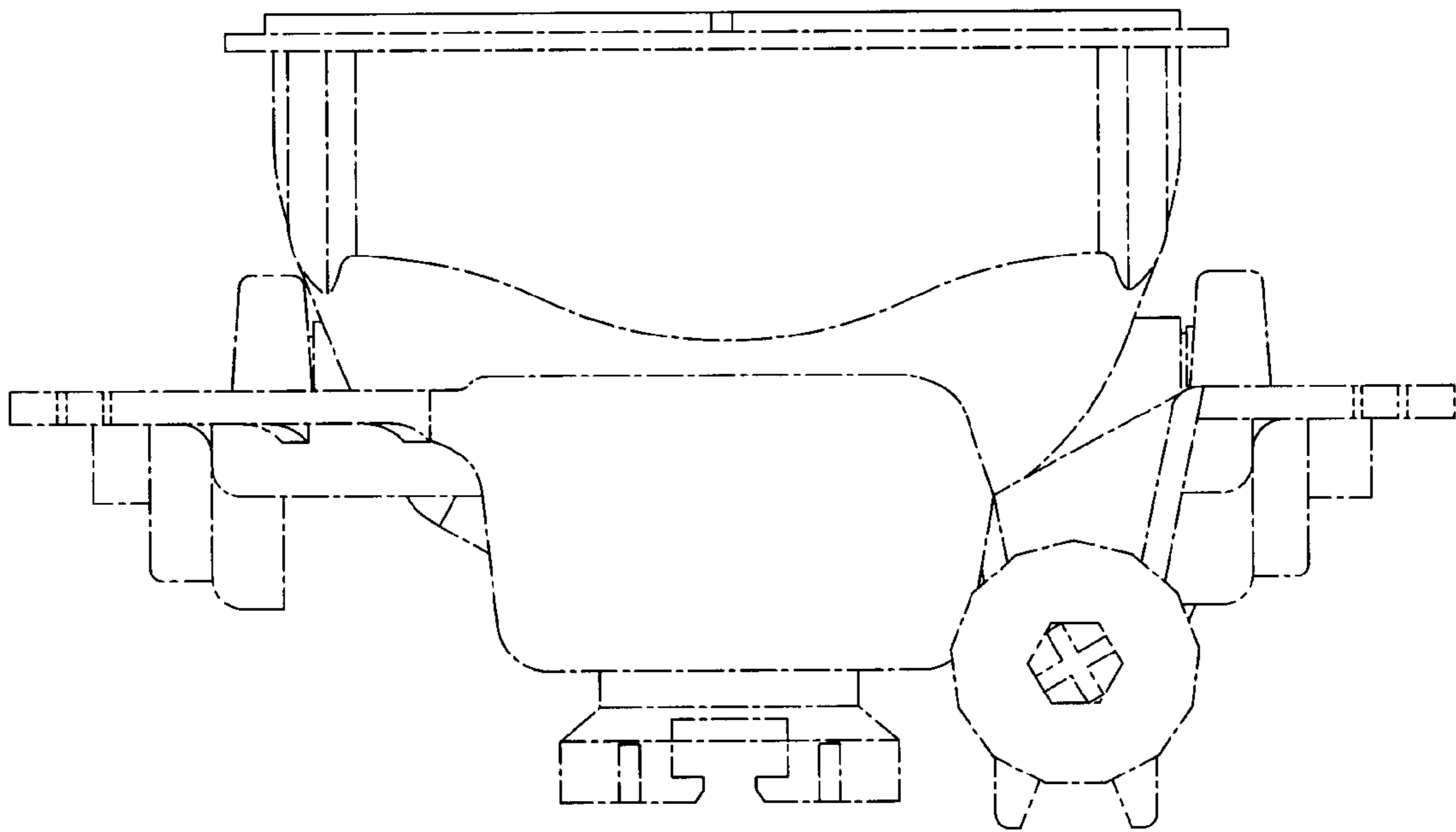


***Fig. 6***



*Fig. 7*





*Fig. 8*