



US00D626665S

(12) **United States Design Patent**
Sorokin

(10) **Patent No.:** **US D626,665 S**

(45) **Date of Patent:** **** Nov. 2, 2010**

(54) **UNDERWATER LED BULB**

(75) **Inventor:** **Jason A. Sorokin**, Woodbridge (CA)

(73) **Assignee:** **Consolidated Pool & Spa Industries Inc.**, Woodbridge, Ontario (CA)

(**) **Term:** **14 Years**

(21) **Appl. No.:** **29/347,223**

(22) **Filed:** **Nov. 3, 2009**

(51) **LOC (9) Cl.** **26-04**

(52) **U.S. Cl.** **D26/2**

(58) **Field of Classification Search** D26/1-4;
313/313, 315, 317, 318, 493; 315/52, 53,
315/56, 57, 58

See application file for complete search history.

(56) **References Cited**

U.S. PATENT DOCUMENTS

3,845,291	A	10/1974	Portyrata
5,051,875	A	9/1991	Johnson
5,483,428	A	1/1996	Poppenheimer
D366,947	S	2/1996	Brown
5,632,551	A	5/1997	Roney et al.
D385,051	S	10/1997	Wu
D388,726	S	1/1998	Wu
D402,772	S	12/1998	Lodhie
5,984,494	A	11/1999	Chapman et al.
D424,715	S	5/2000	Wu
D434,510	S	11/2000	Lodhie
6,510,277	B1	1/2003	Dongo
D470,255	S	2/2003	Lodhie
6,578,994	B1	6/2003	Beyerlein

D484,270	S	12/2003	Yiu	
D535,039	S	1/2007	Sorokin	
D544,117	S *	6/2007	Coushaine	D26/37
D547,889	S *	7/2007	Huang	D26/28
D565,212	S *	3/2008	Butler	D26/37
D570,012	S *	5/2008	Huang	D26/28
D574,095	S *	7/2008	Hill et al.	D26/26
D577,836	S *	9/2008	Engebrigtsen	D26/24
D578,670	S *	10/2008	Li et al.	D26/1
D578,677	S *	10/2008	Huang	D26/28
D578,678	S *	10/2008	Huang	D26/28
D587,383	S *	2/2009	Wei	D26/2
2002/0130627	A1	9/2002	Morgan et al.	
2003/0048632	A1	3/2003	Archer	

* cited by examiner

Primary Examiner—Marcus A Jackson

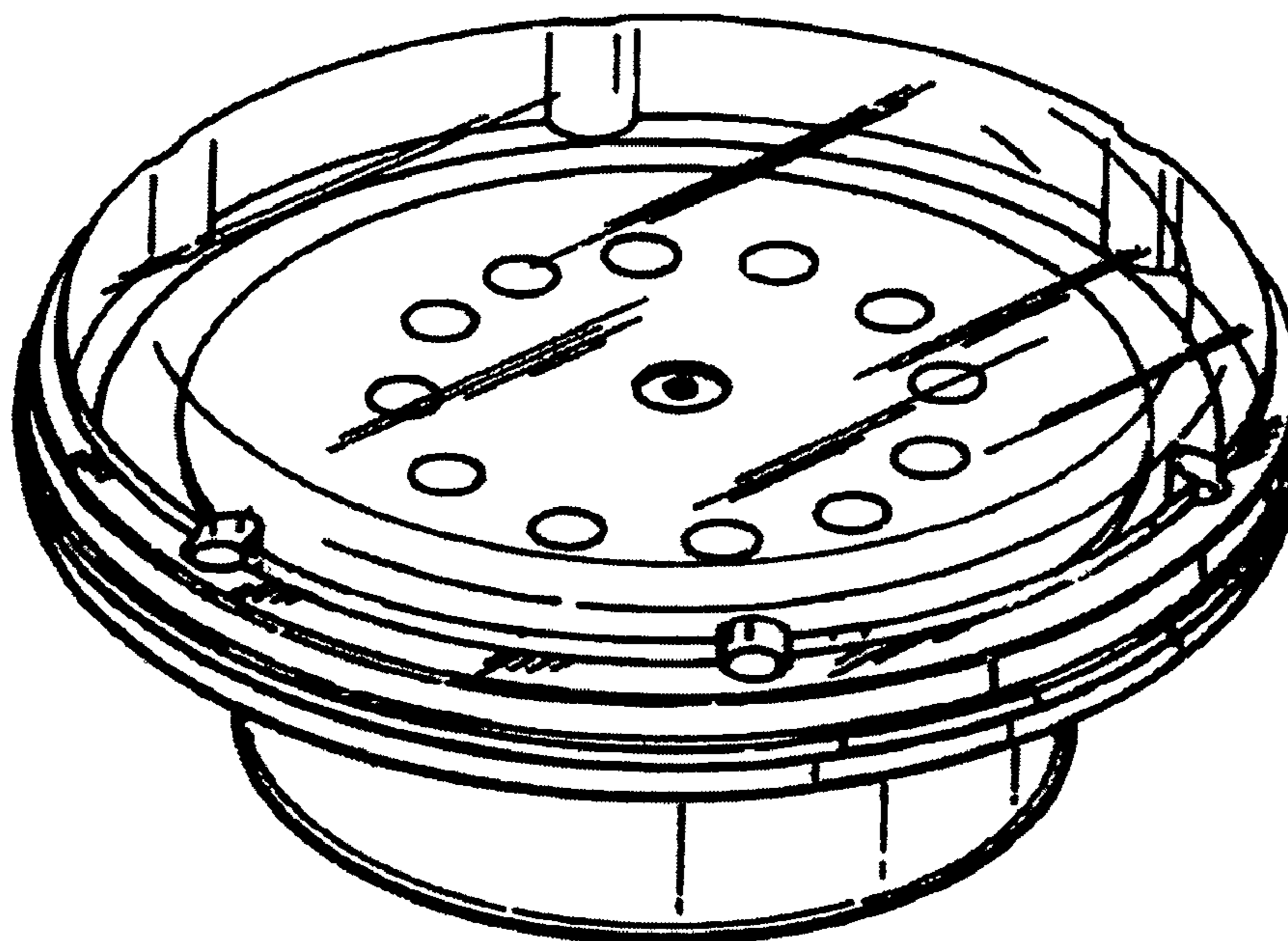
(57) **CLAIM**

The ornamental design for an underwater LED bulb, as shown and described.

DESCRIPTION

FIG. 1 is a perspective view of the underwater LED bulb;
 FIG. 2 is a top plan view of the underwater LED bulb according to FIG. 1;
 FIG. 3 is a front elevational view of the underwater LED bulb according to FIG. 1;
 FIG. 4 is a bottom plan of the underwater LED bulb according to FIG. 1; and,
 FIG. 5 is a side elevational view of the underwater LED bulb according to FIG. 1.

1 Claim, 3 Drawing Sheets



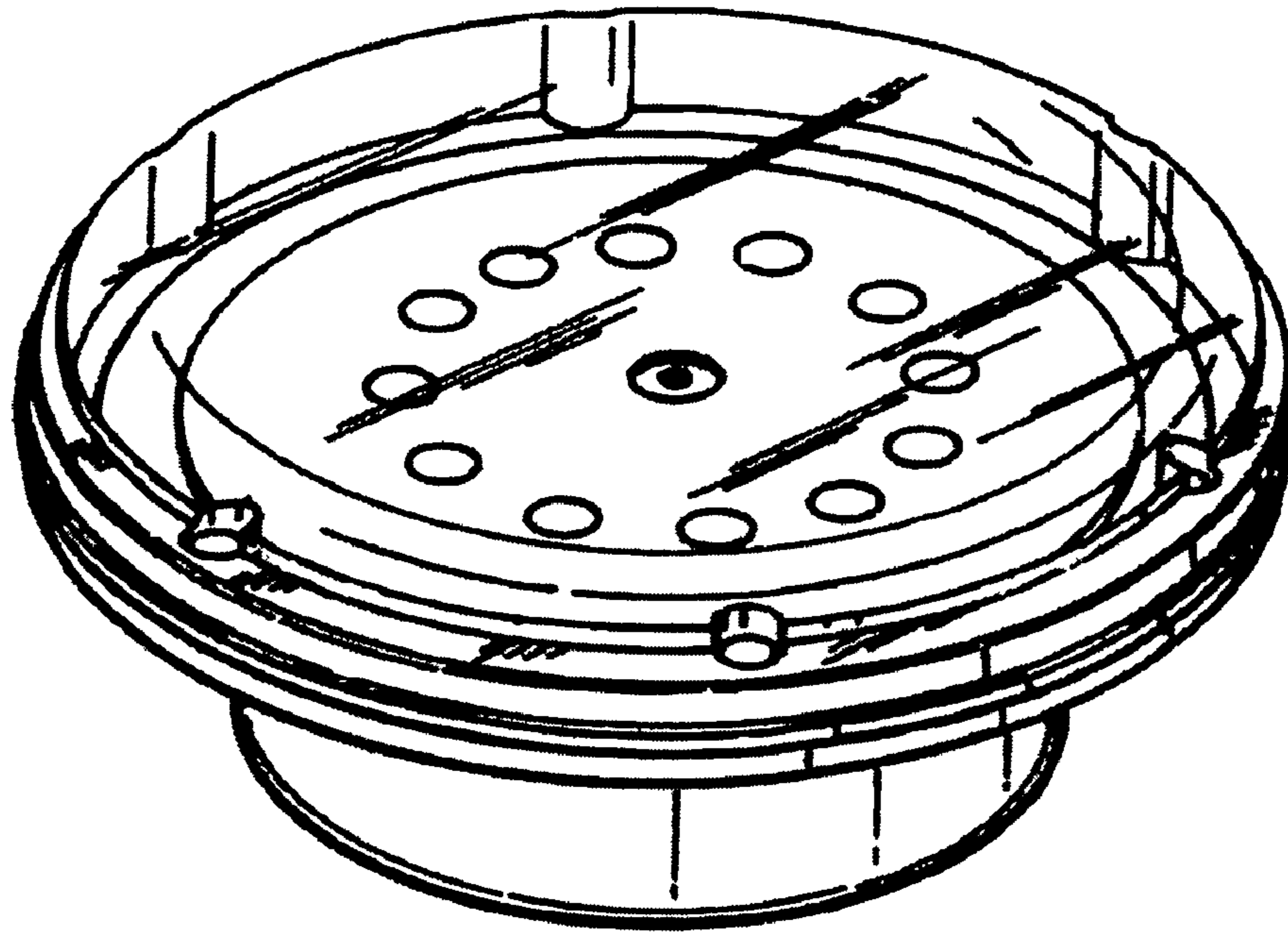


FIG. 1.

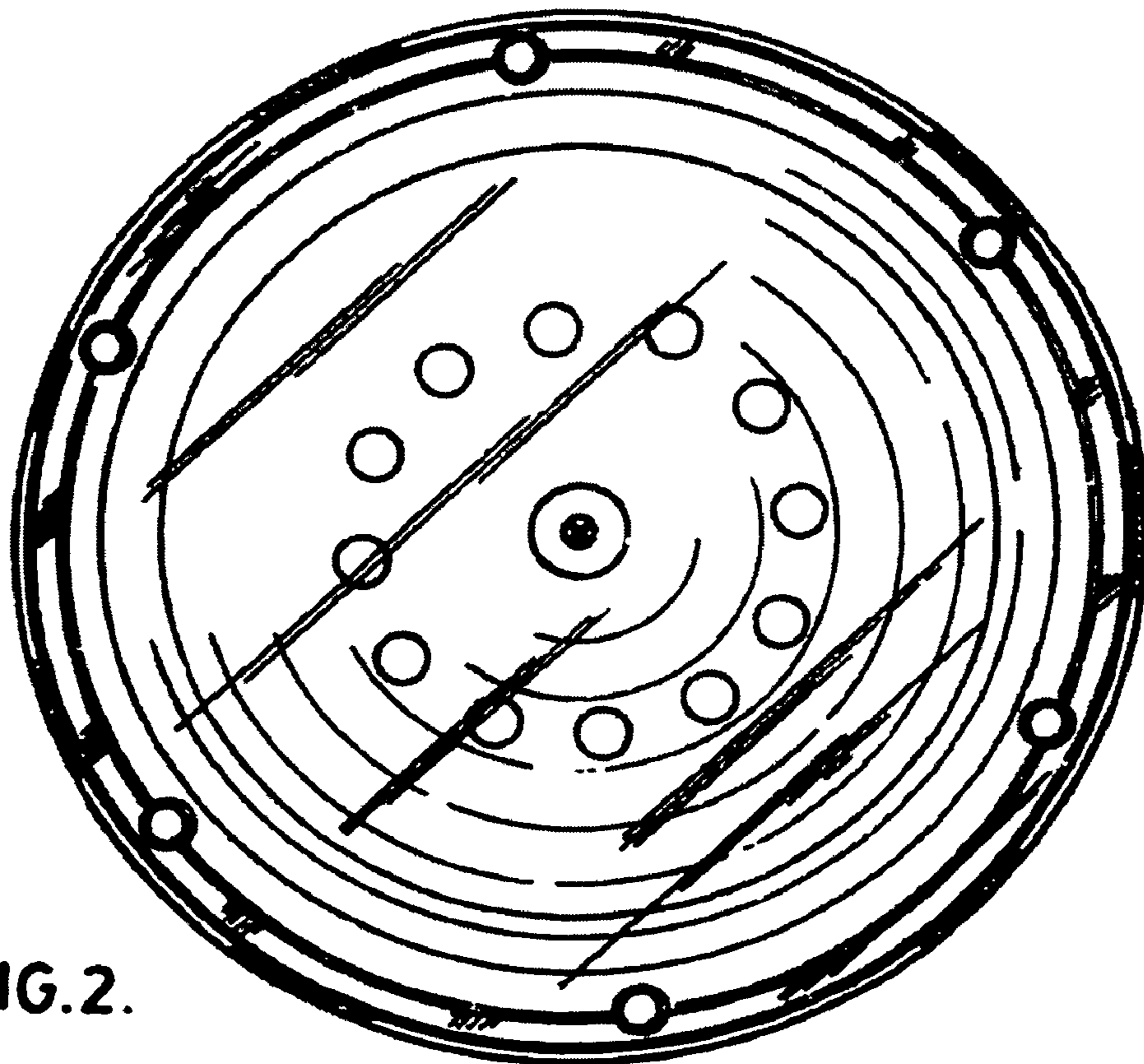


FIG. 2.

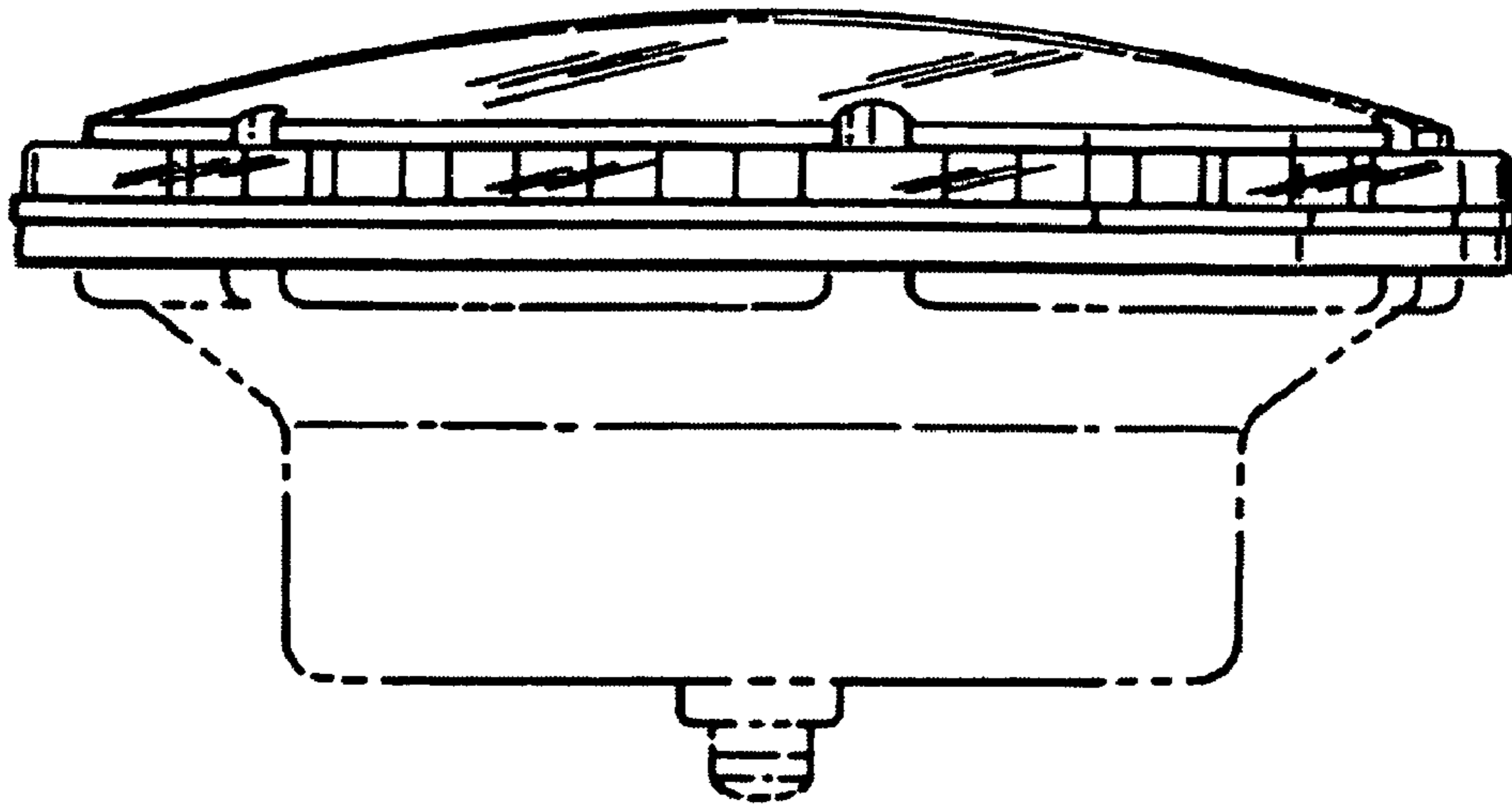


FIG. 3.

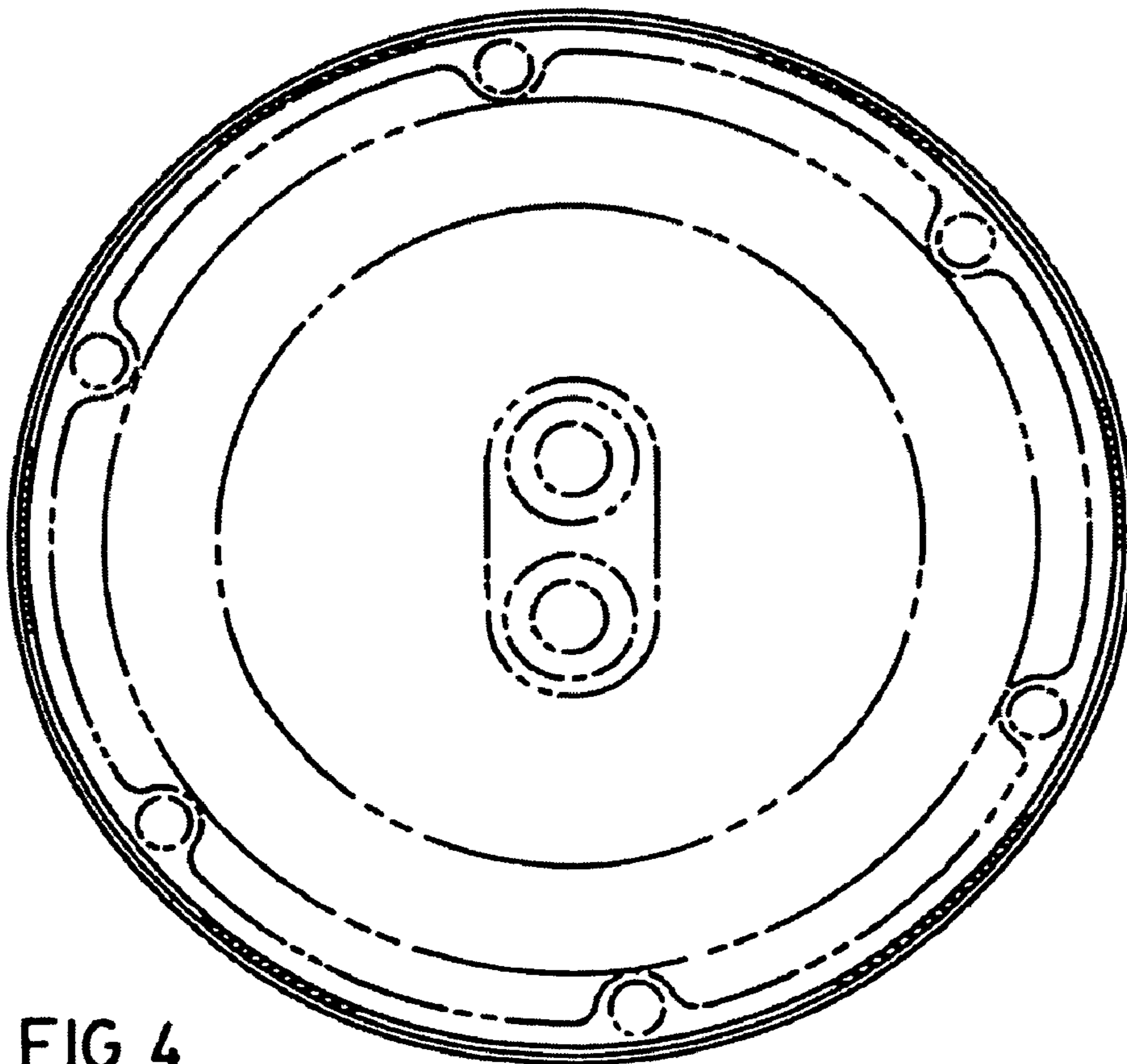


FIG. 4.

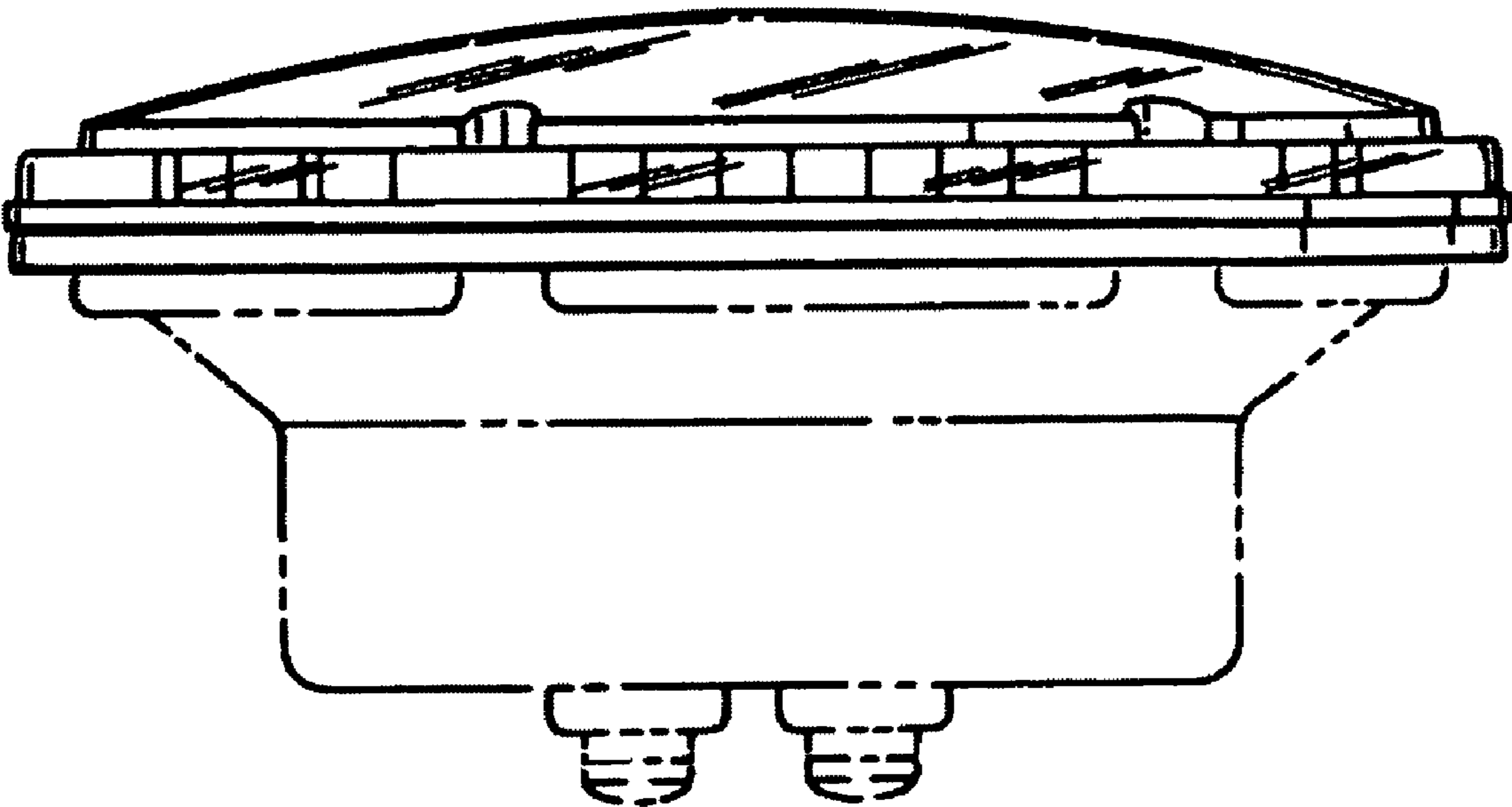


FIG. 5.