



US00D626664S

(12) **United States Design Patent**  
**Chan**

(10) **Patent No.:** **US D626,664 S**

(45) **Date of Patent:** **\*\* Nov. 2, 2010**

(54) **LIGHT SOURCE**

(76) **Inventor:** **Eric Chan**, 401 E. 84<sup>th</sup> St., Apt. 7A,  
New York, NY (US) 10028

(\*\*) **Term:** **14 Years**

(21) **Appl. No.:** **29/348,082**

(22) **Filed:** **Nov. 25, 2009**

(51) **LOC (9) Cl.** ..... **26-06**

(52) **U.S. Cl.** ..... **D26/1**

(58) **Field of Classification Search** ..... D26/1;  
313/37-38, 271-279, 316, 333; 315/46,  
315/49, 66-69

See application file for complete search history.

(56) **References Cited**

**U.S. PATENT DOCUMENTS**

4,329,736 A \* 5/1982 Nelle et al. .... 362/23

D566,303 S \* 4/2008 Uemoto et al. .... D26/24

D579,129 S \* 10/2008 Kawagoe et al. .... D26/1

\* cited by examiner

*Primary Examiner*—Marcus A Jackson

(74) *Attorney, Agent, or Firm*—William E. Pelton, Esq.;  
Cooper & Dunham LLP

(57) **CLAIM**

The ornamental design for a light source, as shown and described.

**DESCRIPTION**

FIG. 1 is a perspective view of a light source showing my new design;

FIG. 2 is a side view thereof;

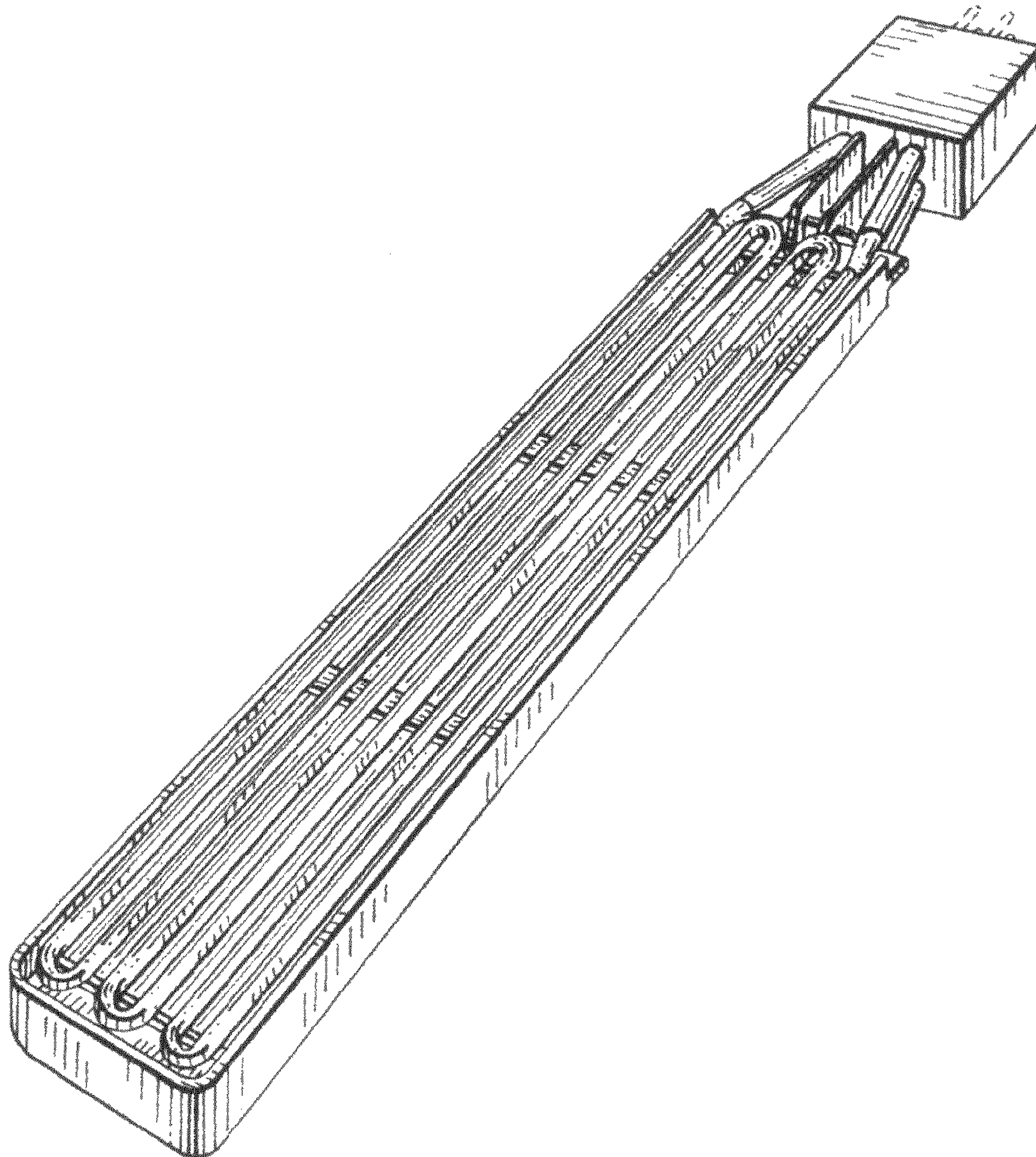
FIG. 3 is an end view thereof;

FIG. 4 is a top view thereof; and,

FIG. 5 is a perspective view of the light emitter element thereof.

The broken line showing of tips on the end is included for the purpose of illustrating only and forms no part of the claimed design.

**1 Claim, 2 Drawing Sheets**



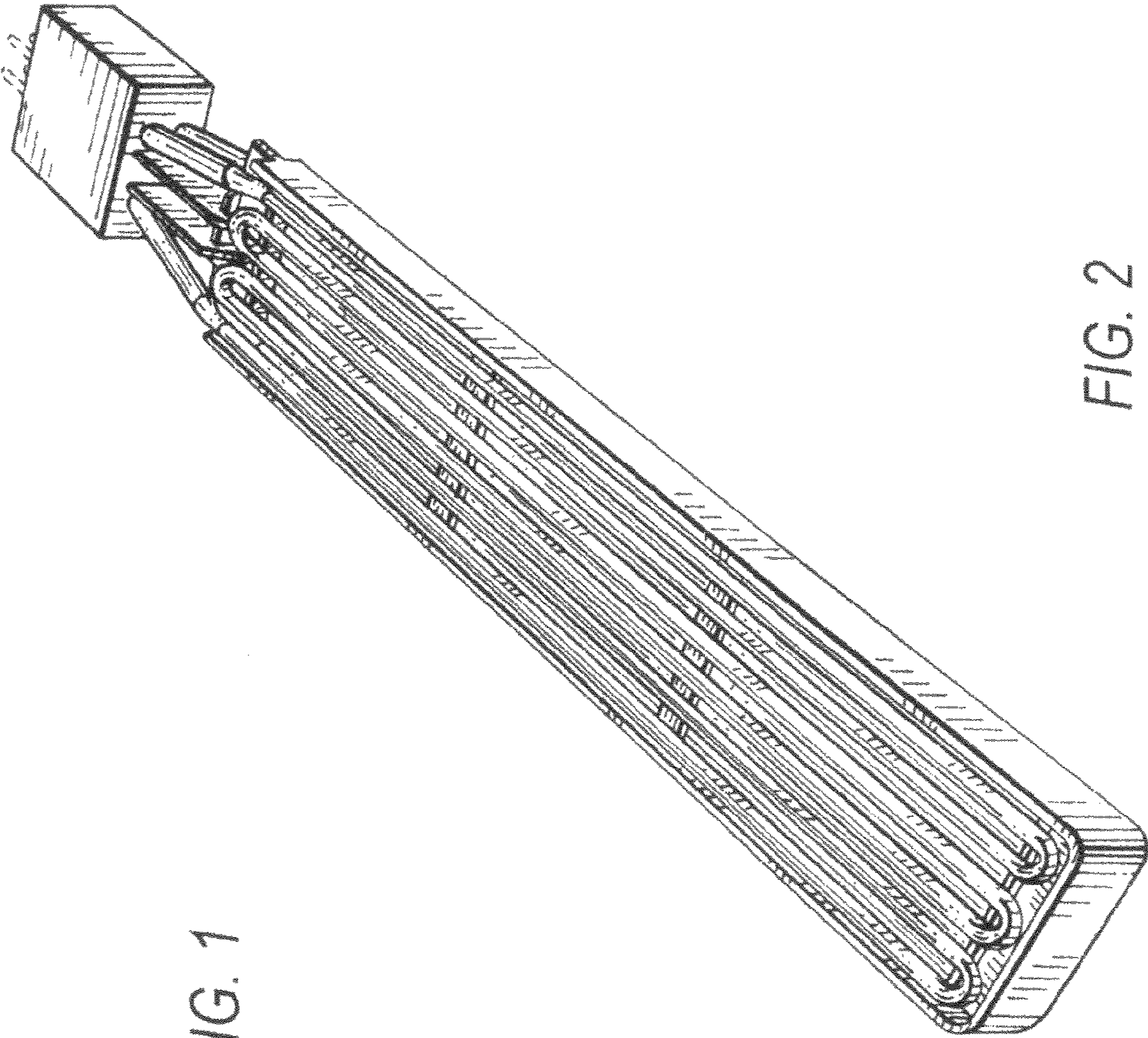


FIG. 1

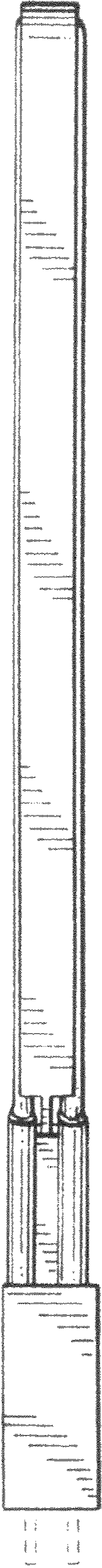


FIG. 2

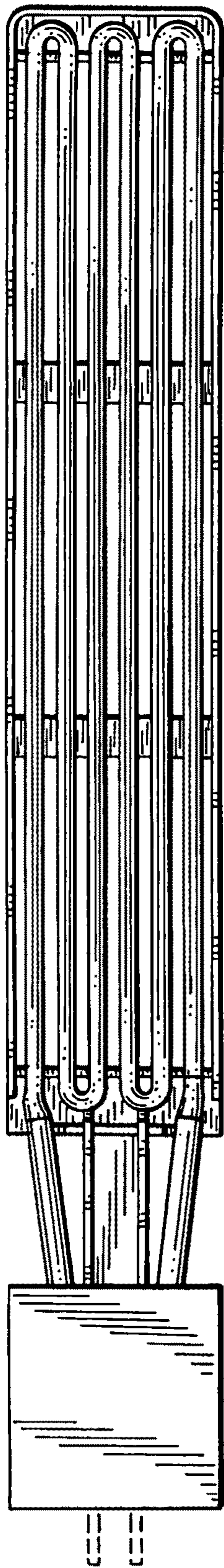


FIG. 4

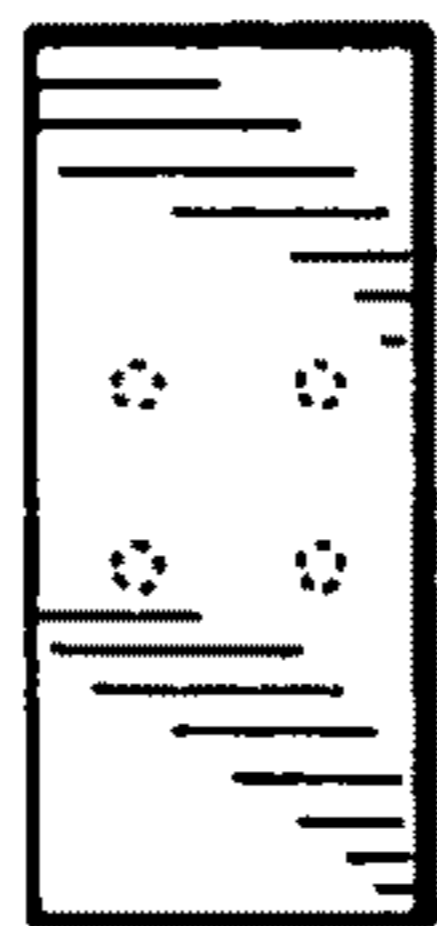


FIG. 3

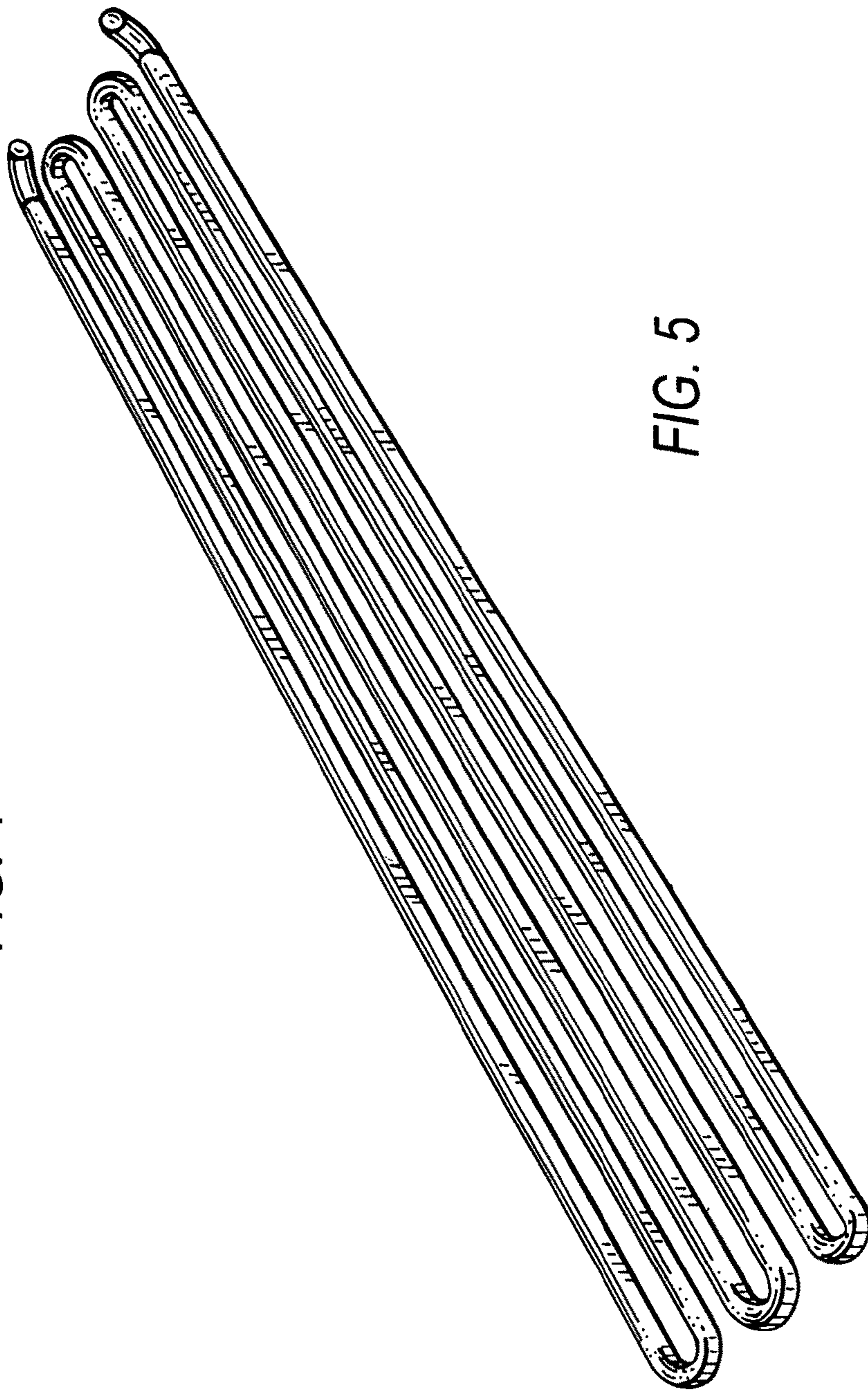


FIG. 5