



US00D626663S

(12) **United States Design Patent**
Stephens

(10) **Patent No.:** **US D626,663 S**

(45) **Date of Patent:** **** Nov. 2, 2010**

(54) **SINGLE HUNG MEETING RAIL**

(75) Inventor: **Ronald Lee Stephens**, Lewisville, TX
(US)

(73) Assignee: **Krestmark Industries, L.P.**, Dallas, TX
(US)

(**) Term: **14 Years**

(21) Appl. No.: **29/358,452**

(22) Filed: **Mar. 26, 2010**

(51) **LOC (9) Cl.** **25-01**

(52) **U.S. Cl.** **D25/124**

(58) **Field of Classification Search** D25/124,
D25/125, 60; 52/204.1, 204.5, 204.51, 656.5,
52/656.6, 730.3; 49/501, 504, DIG. 2, 458
See application file for complete search history.

(56) **References Cited**

U.S. PATENT DOCUMENTS

1,609,631	A *	12/1926	Rappaport	49/458
D243,680	S	3/1977	Dallaire		
D344,597	S	2/1994	Bancroft		
D344,600	S	2/1994	Bancroft		
D353,471	S	12/1994	Cole		
D358,663	S	5/1995	Hosseini et al.		
5,522,196	A	6/1996	Conroy et al.		
5,557,894	A	9/1996	Card		
D392,751	S	3/1998	Oliver		
D430,940	S	9/2000	Goss		
6,293,049	B1	9/2001	Shaw		
D450,394	S *	11/2001	Roberts et al.	D25/124
6,457,287	B1	10/2002	Wilcox		

D496,740	S	9/2004	Franson		
6,848,225	B2	2/2005	Lapierre		
D511,842	S	11/2005	Kim		
D537,538	S	2/2007	Wickland		
D572,833	S *	7/2008	Wickland	D25/124
D608,906	S	1/2010	Stephens		
D608,907	S	1/2010	Stephens		
D608,908	S	1/2010	Stephens		
D608,909	S	1/2010	Stephens		
D608,910	S	1/2010	Stephens		
D608,911	S	1/2010	Stephens		
D615,666	S	5/2010	Stephens		
2007/0157520	A1 *	7/2007	Daniels et al.	49/163

* cited by examiner

Primary Examiner—Doris Clark

(74) *Attorney, Agent, or Firm*—Sonnenschein Nath
Rosenthal LLP

(57) **CLAIM**

The ornamental design for a single hung meeting rail, as shown and described.

DESCRIPTION

FIG. 1 is a perspective view of a single hung meeting rail showing my new design;

FIG. 2 is a first end view thereof;

FIG. 3 is a second end view thereof;

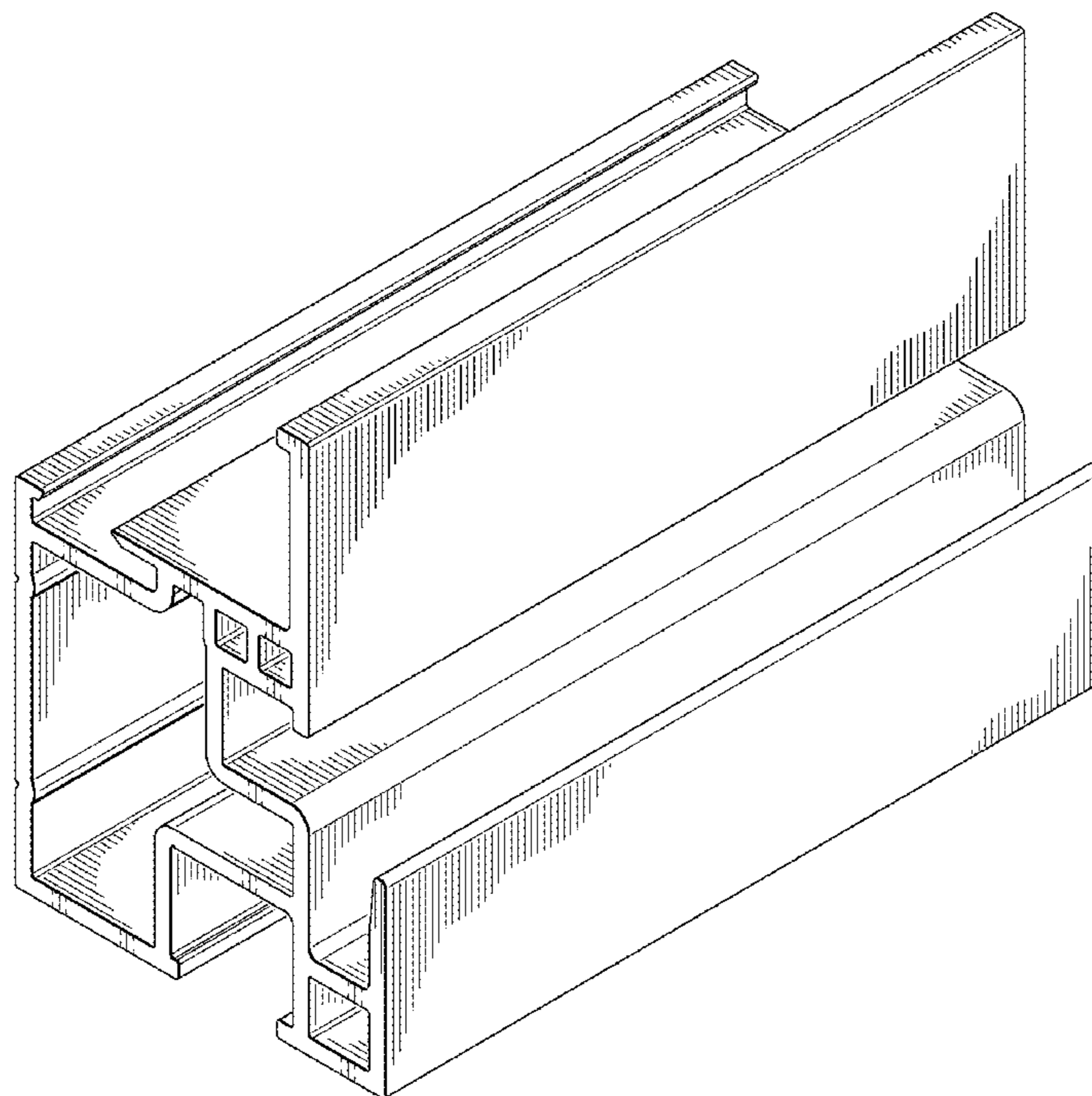
FIG. 4 is a right, elevation view thereof;

FIG. 5 is a left, elevation view thereof;

FIG. 6 is a top view thereof; and,

FIG. 7 is a bottom view thereof.

1 Claim, 7 Drawing Sheets



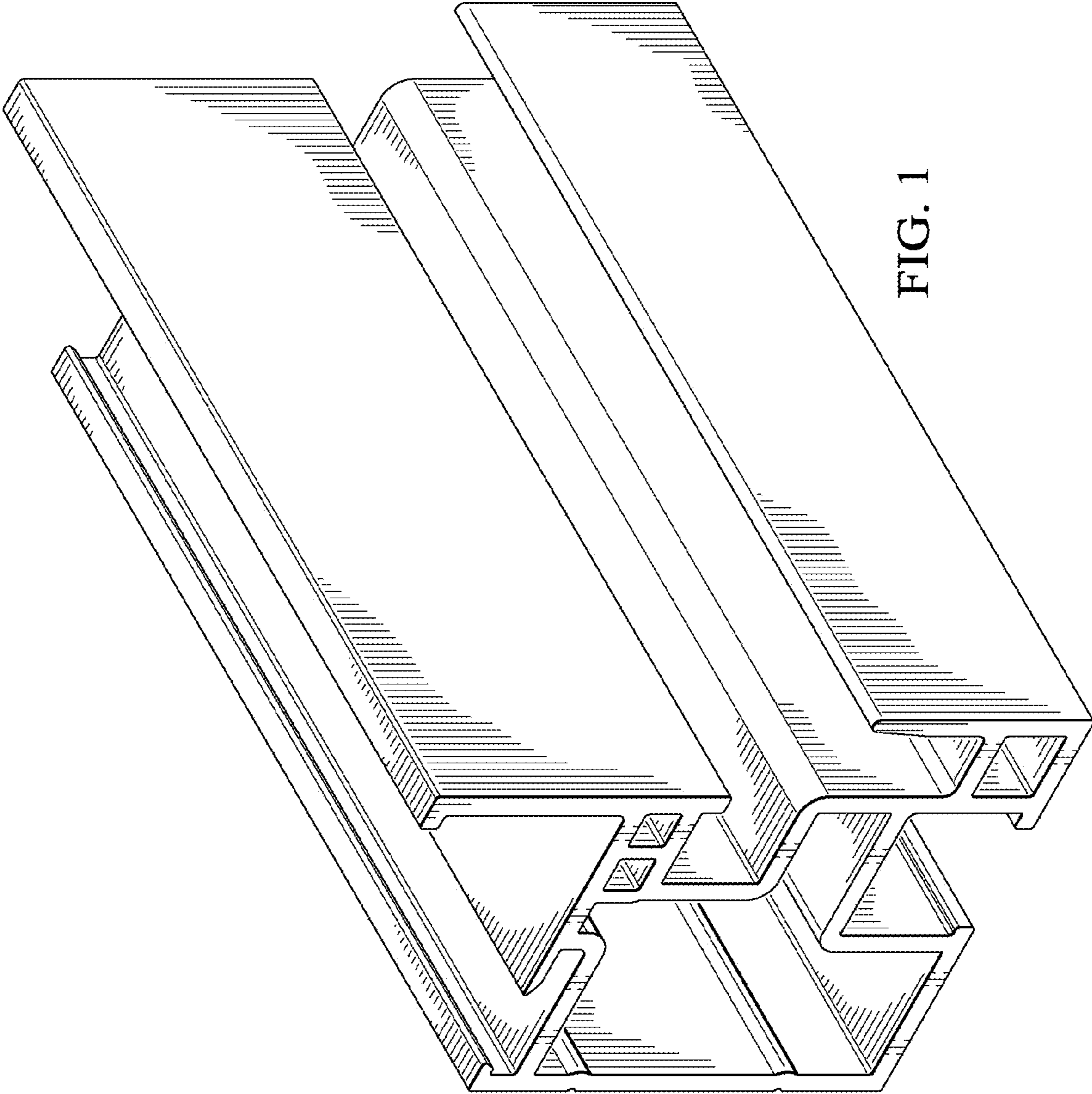


FIG. 1

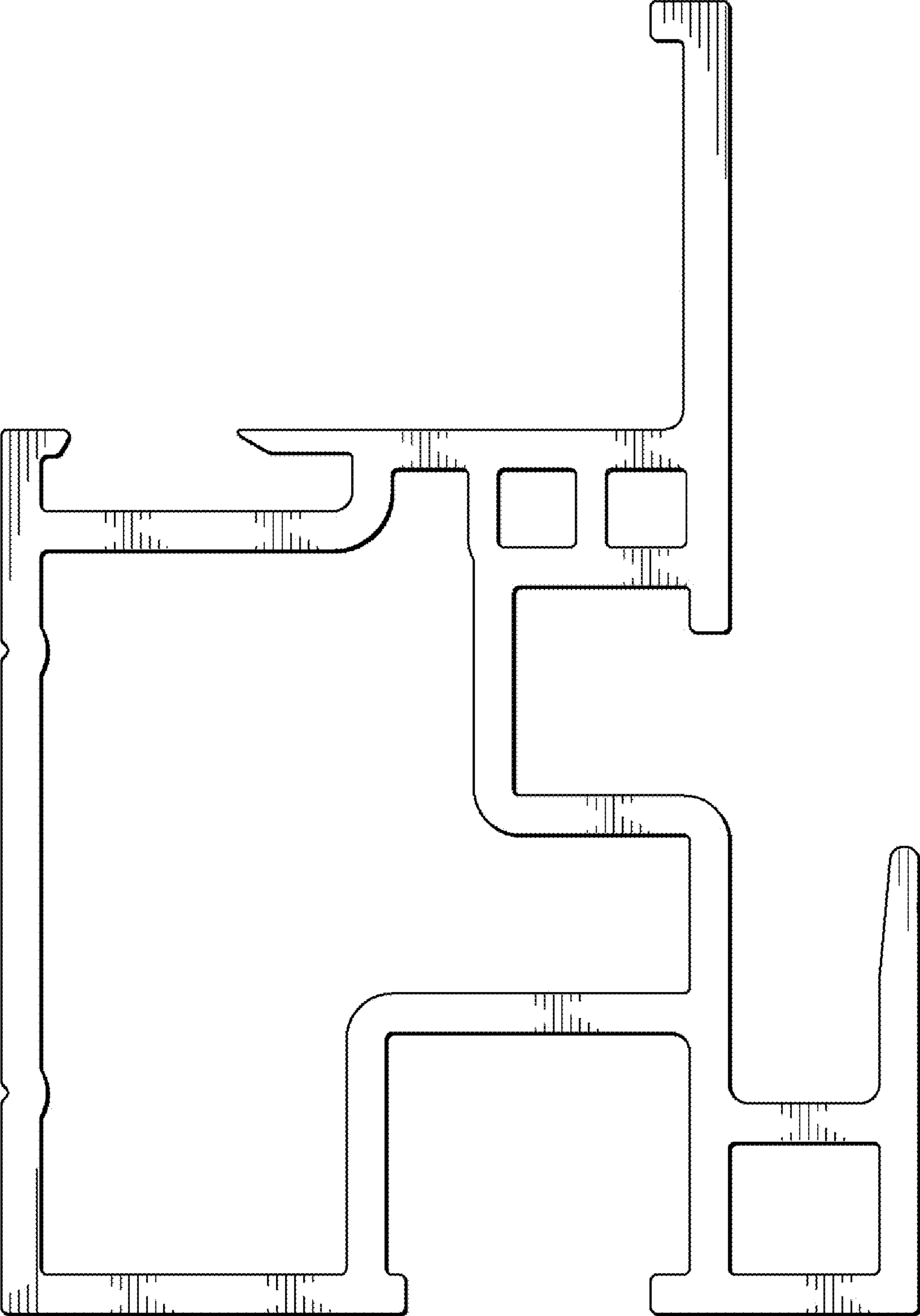


FIG. 2

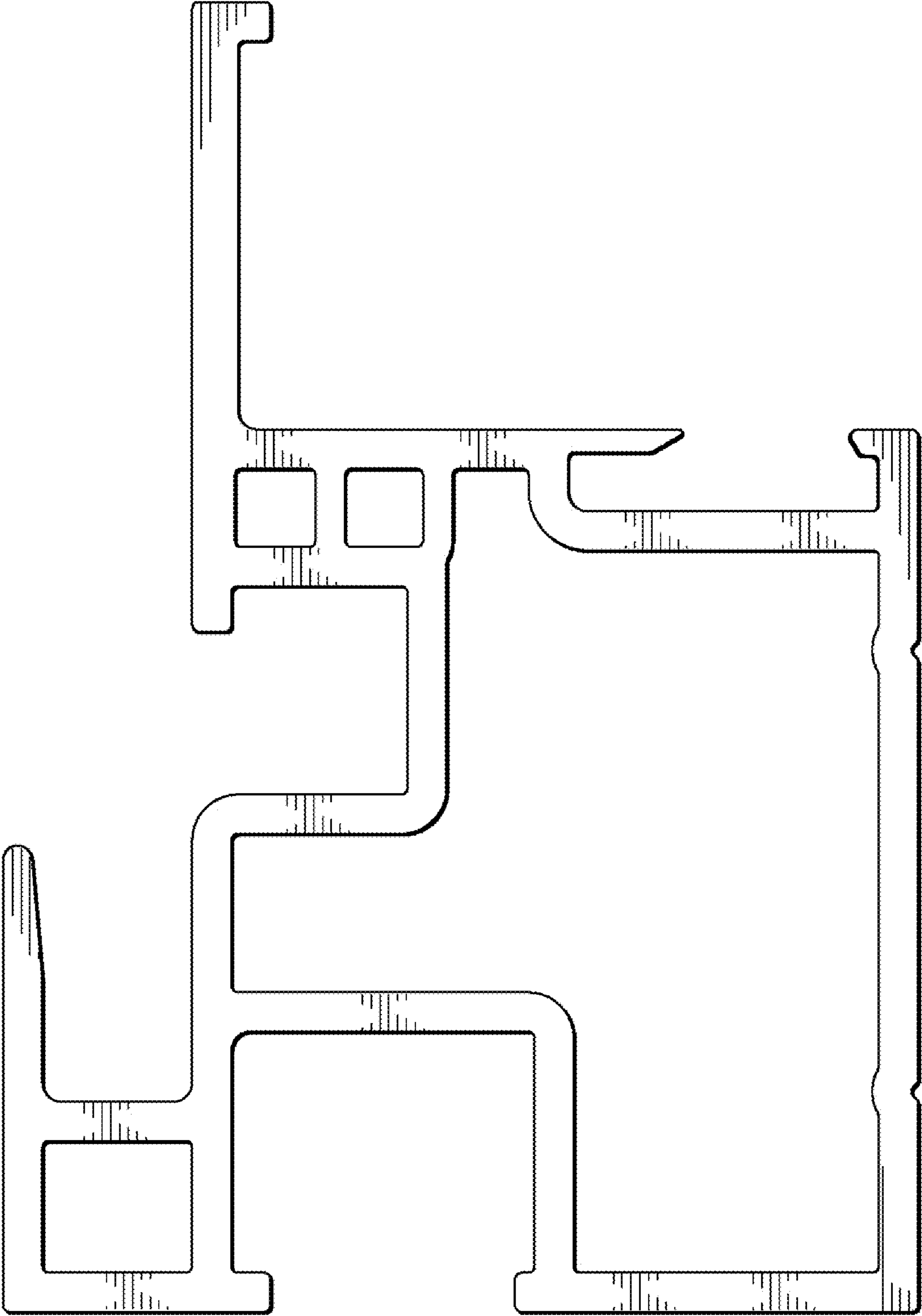


FIG. 3



FIG. 4

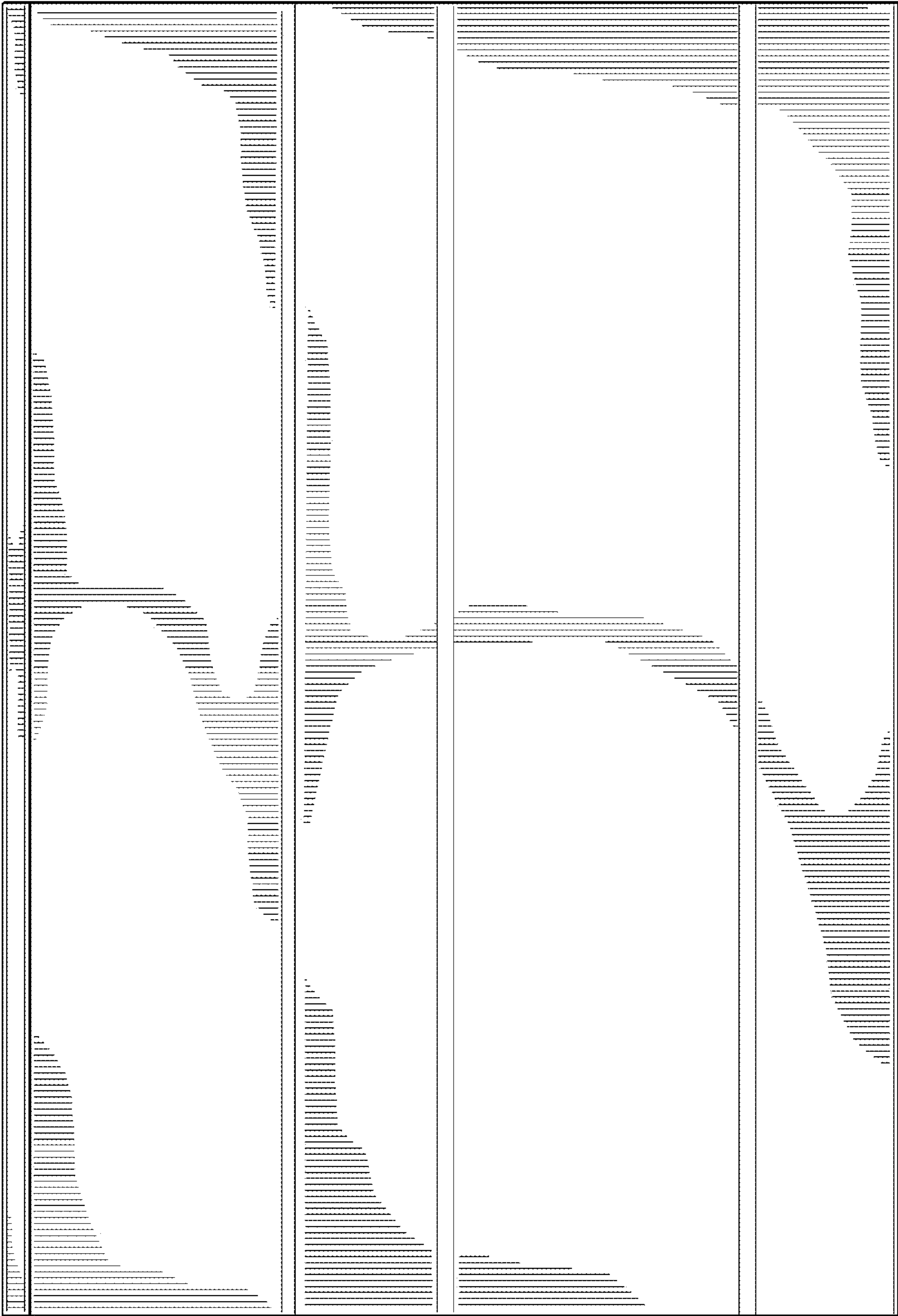


FIG. 5



FIG. 6

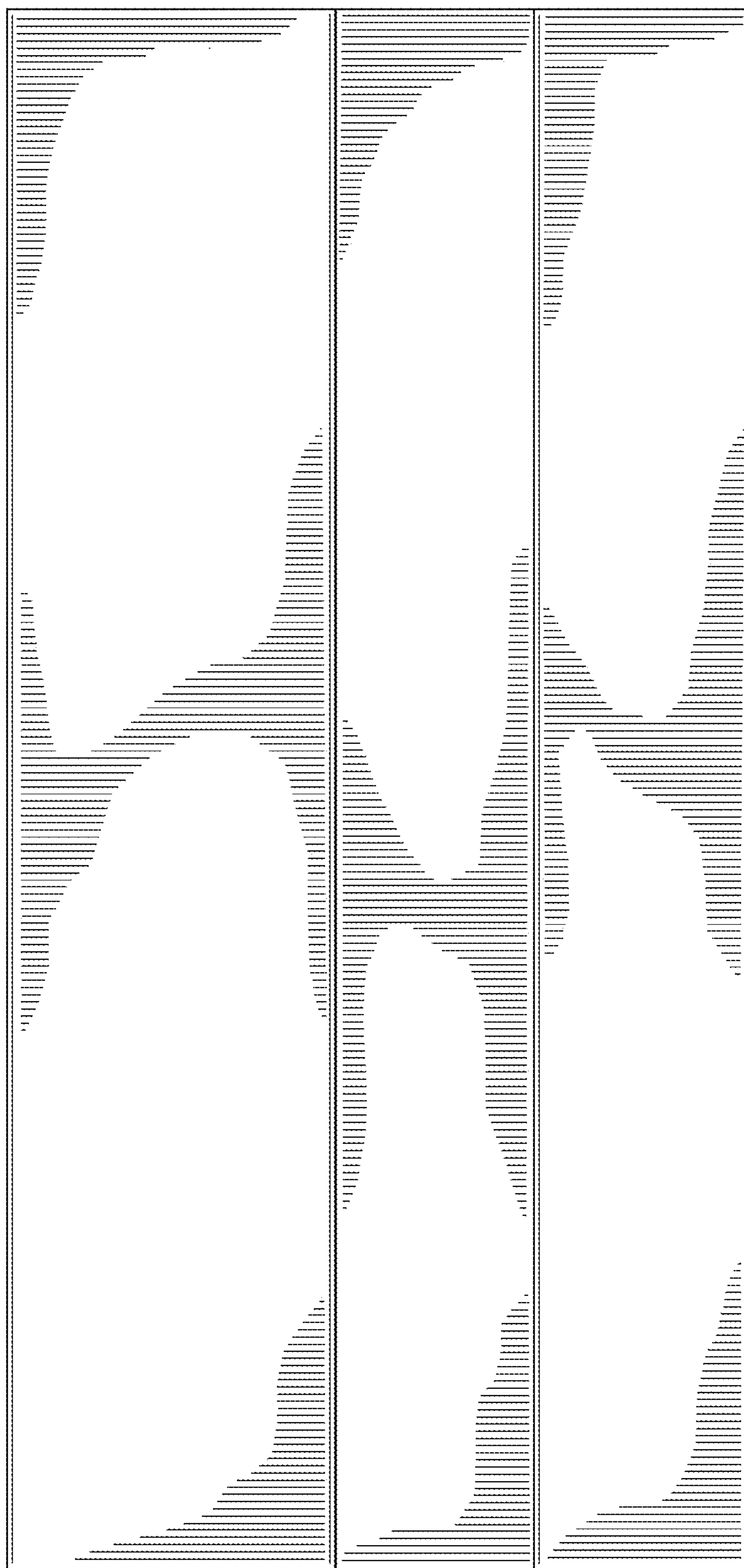


FIG. 7