



US00D626661S

(12) **United States Design Patent**  
**Bertsch**

(10) **Patent No.:** **US D626,661 S**  
(45) **Date of Patent:** **\*\* Nov. 2, 2010**

(54) **CHILD SAFETY BARRIER**

(75) Inventor: **Michel Bertsch**, Gaaden (AT)

(73) Assignee: **Indowoods S.A.**, Bruxelles (BE)

(\*\*) Term: **14 Years**

(21) Appl. No.: **29/310,402**

(22) Filed: **Aug. 13, 2008**

(30) **Foreign Application Priority Data**

Feb. 14, 2008 (EM) ..... 000878905-0001  
Feb. 14, 2008 (EM) ..... 000878905-0002

(51) **LOC (9) Cl.** ..... **25-02**

(52) **U.S. Cl.** ..... **D25/50**

(58) **Field of Classification Search** ..... D25/50;  
256/25, 26

See application file for complete search history.

(56) **References Cited**

**U.S. PATENT DOCUMENTS**

5,544,870	A *	8/1996	Kelley et al.	256/26
D397,448	S *	8/1998	Brevi	D25/50
D422,089	S *	3/2000	Blad	D25/50
6,056,038	A *	5/2000	Foster et al.	160/351
6,176,042	B1 *	1/2001	Rossmann et al.	49/463
D502,551	S *	3/2005	Hotaling et al.	D25/50
2002/0002795	A1 *	1/2002	Rogers	49/57

\* cited by examiner

*Primary Examiner*—Doris Clark

(74) *Attorney, Agent, or Firm*—James Creighton Wray;  
Meera P. Narasimhan

(57) **CLAIM**

The ornamental design for the child safety barrier, as shown and described.

**DESCRIPTION**

FIG. 1 is a perspective front, top and left end view of the child safety barrier gate in open position. The rear is substantially identical to the front. The bottom is substantially plain and planar.

FIG. 2 is a front elevation of the child safety barrier gate as shown in FIG. 1 in open position.

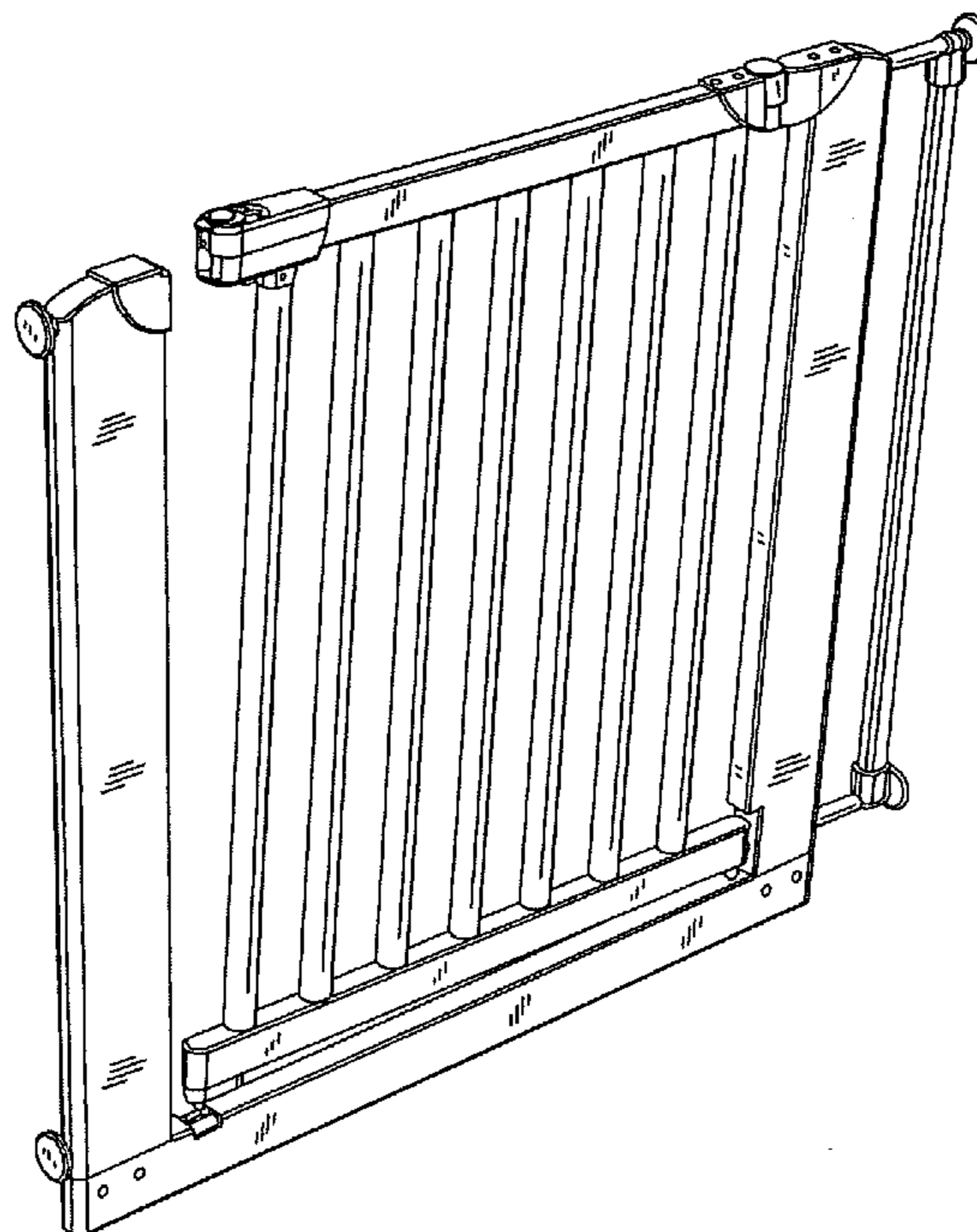
FIG. 3 is a top and front perspective view of the child safety barrier gate shown in FIGS. 1 and 2 in open position.

FIG. 4 is a top view of the child safety barrier gate shown in FIGS. 1-3 in an open position.

FIG. 5 is a top, front and right perspective detail of the upper left corner of the child safety barrier gate as shown in FIGS. 1-4; and,

FIG. 6 is a top, front and right perspective detail of the upper left corner of the child safety barrier gate shown in FIGS. 1-4.

**1 Claim, 3 Drawing Sheets**



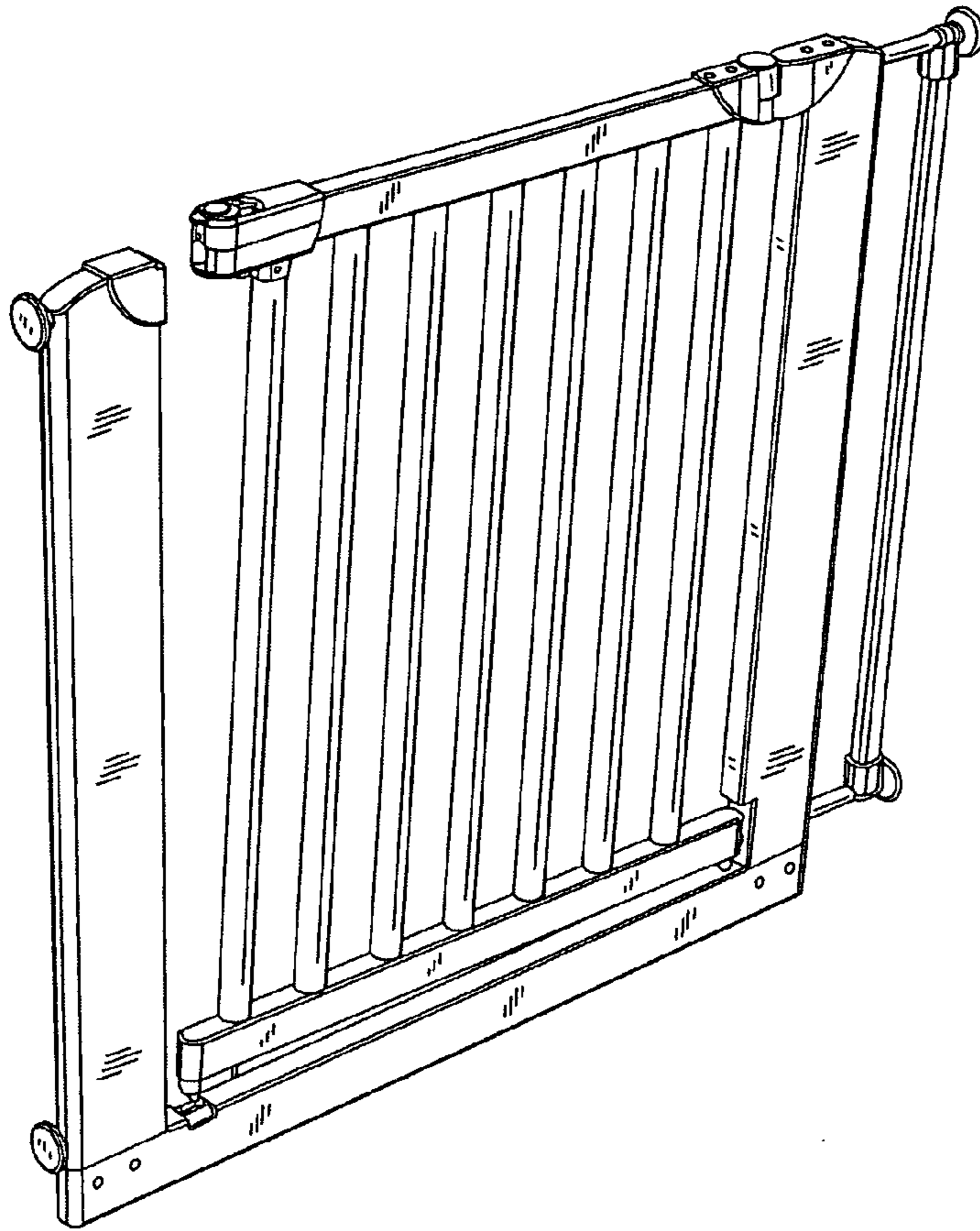


FIG. 1

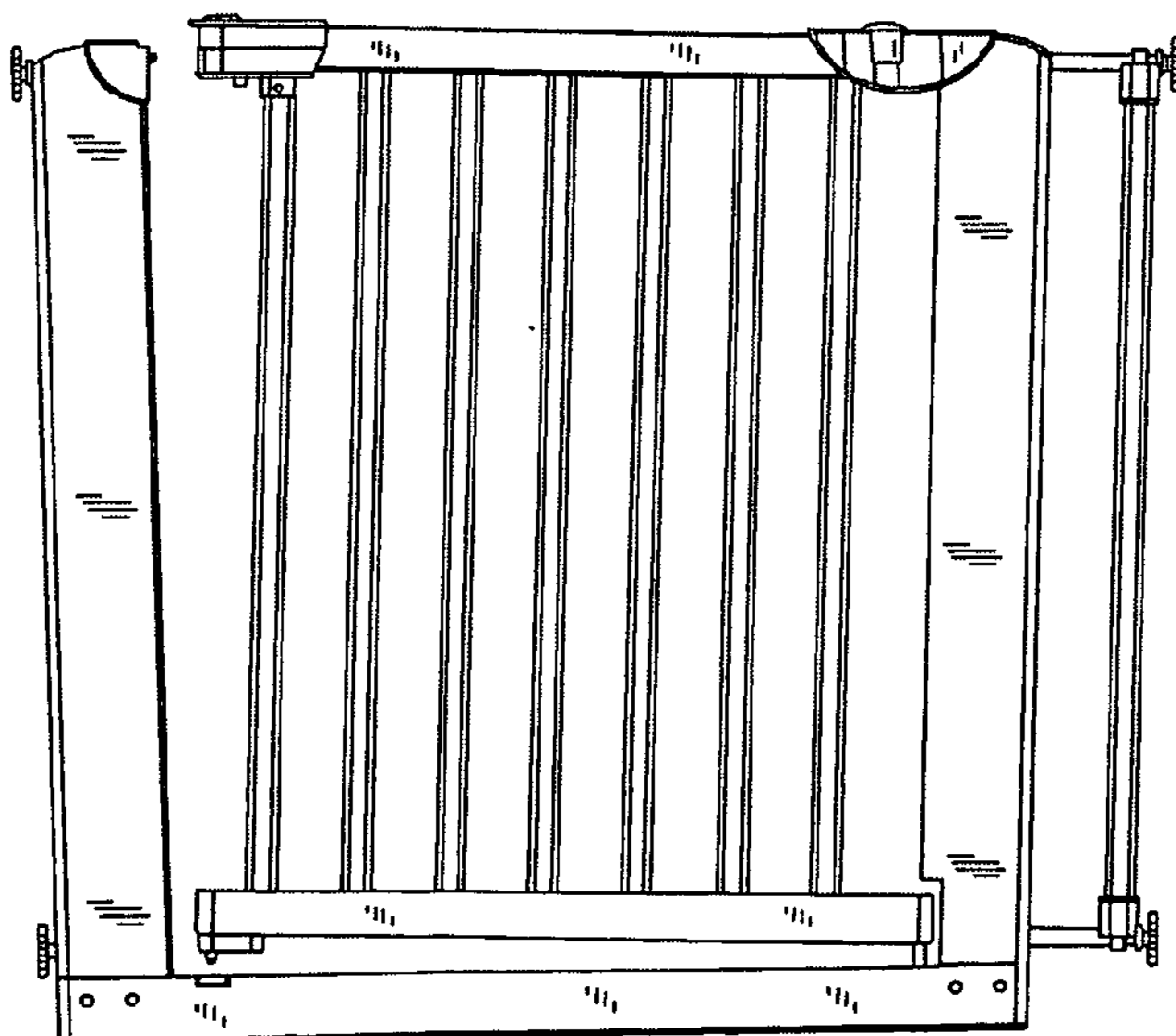


FIG. 2

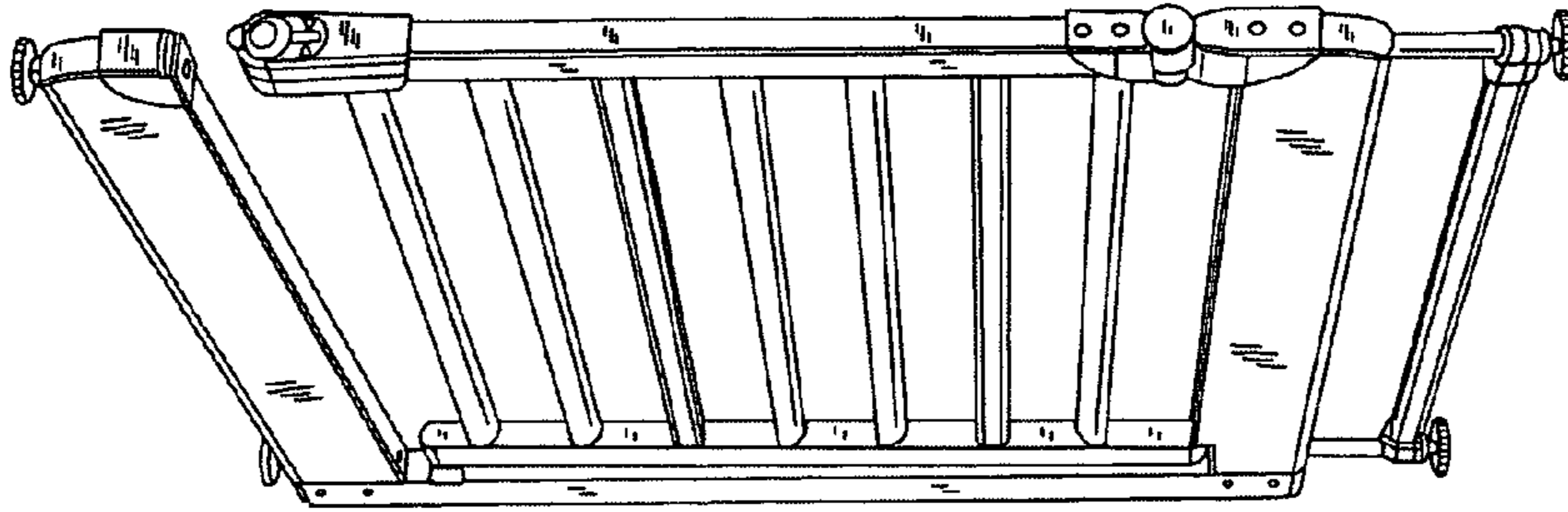


FIG. 3

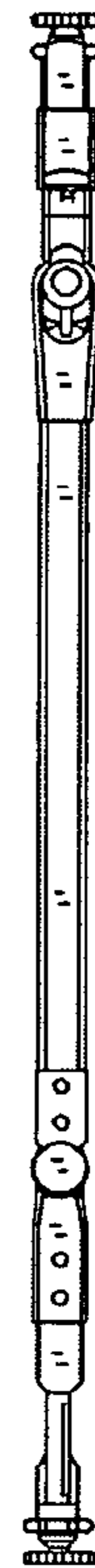


FIG. 4

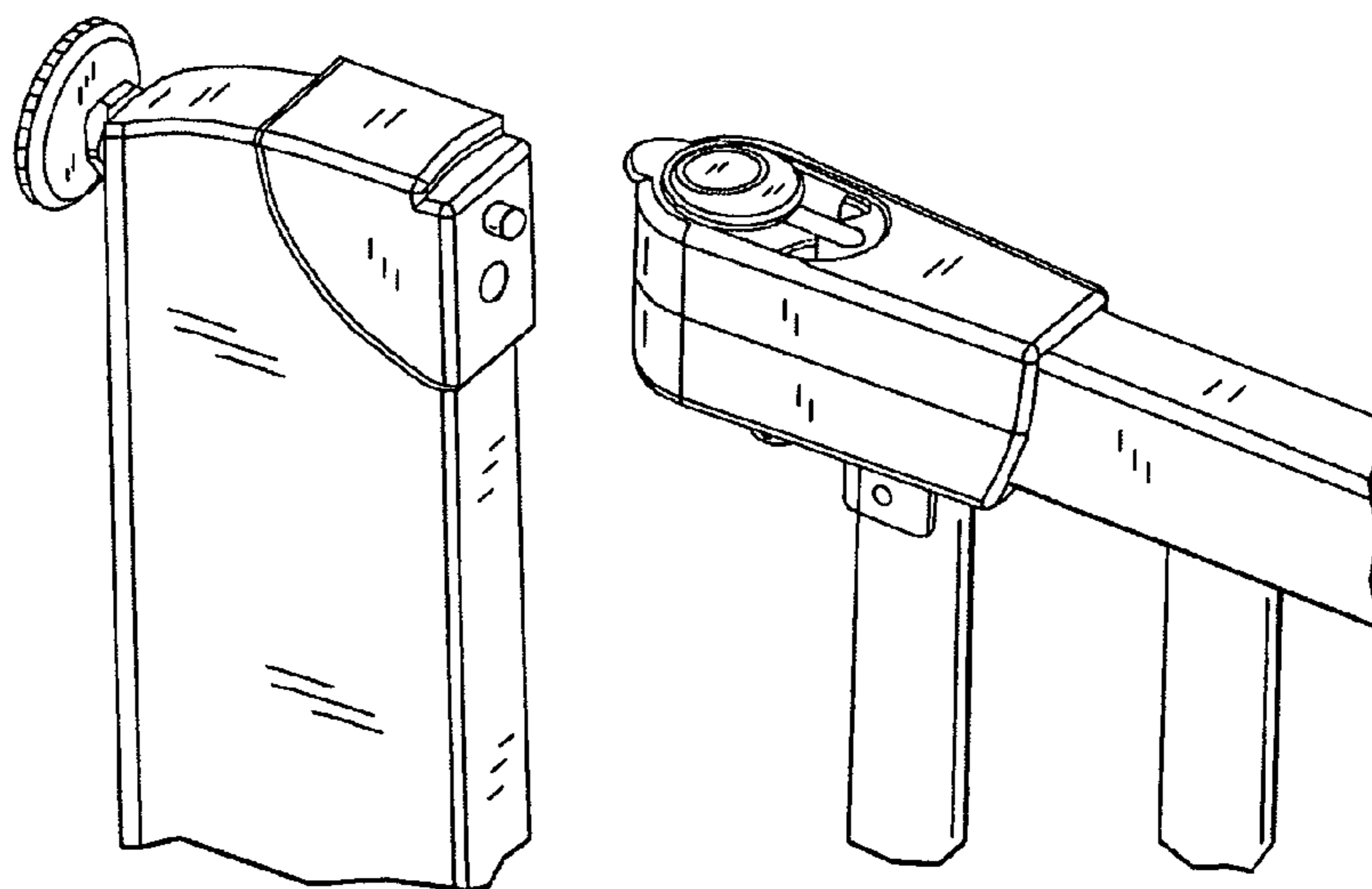


FIG. 5

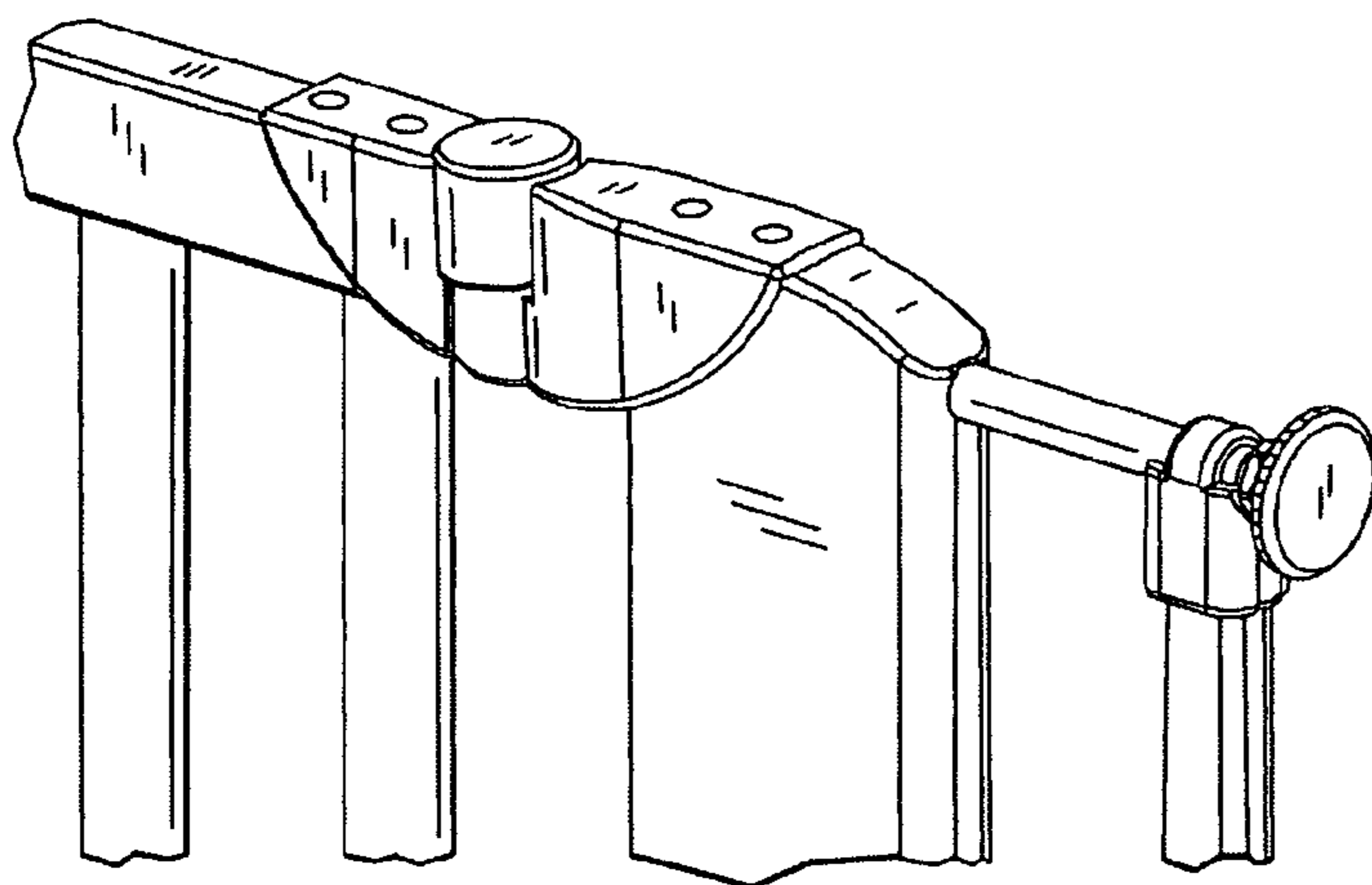


FIG. 6