

US00D626660S

(12) **United States Design Patent**
Bertsch

(10) **Patent No.:** **US D626,660 S**

(45) **Date of Patent:** **** Nov. 2, 2010**

(54) **CHILD SAFETY BARRIER**

(75) Inventor: **Michel Bertsch**, Gaaden (AT)

(73) Assignee: **Indowoods S.A.**, Brussels (BE)

(**) Term: **14 Years**

(21) Appl. No.: **29/310,401**

(22) Filed: **Aug. 13, 2008**

(51) **LOC (9) Cl.** **25-02**

(52) **U.S. Cl.** **D25/50**

(58) **Field of Classification Search** D25/50;
256/25, 26

See application file for complete search history.

(56) **References Cited**

U.S. PATENT DOCUMENTS

5,544,870	A *	8/1996	Kelley et al.	256/26
D397,448	S *	8/1998	Brevi	D25/50
D422,089	S *	3/2000	Blad	D25/50
6,056,038	A *	5/2000	Foster et al.	160/351
6,176,042	B1 *	1/2001	Rossmann et al.	49/463
D502,551	S *	3/2005	Hotaling et al.	D25/50
2002/0002795	A1 *	1/2002	Rogers	49/57

* cited by examiner

Primary Examiner—Doris Clark

(74) *Attorney, Agent, or Firm*—James Creighton Wray;
Meera P. Narasimhan

(57) **CLAIM**

The design for the child safety barrier, as shown and described.

DESCRIPTION

FIG. 1 is a perspective view of the child safety barrier in a closed position showing the front, the top and the first end. The rear, the top and the second end are substantially identical to the front, top and first end, respectively.

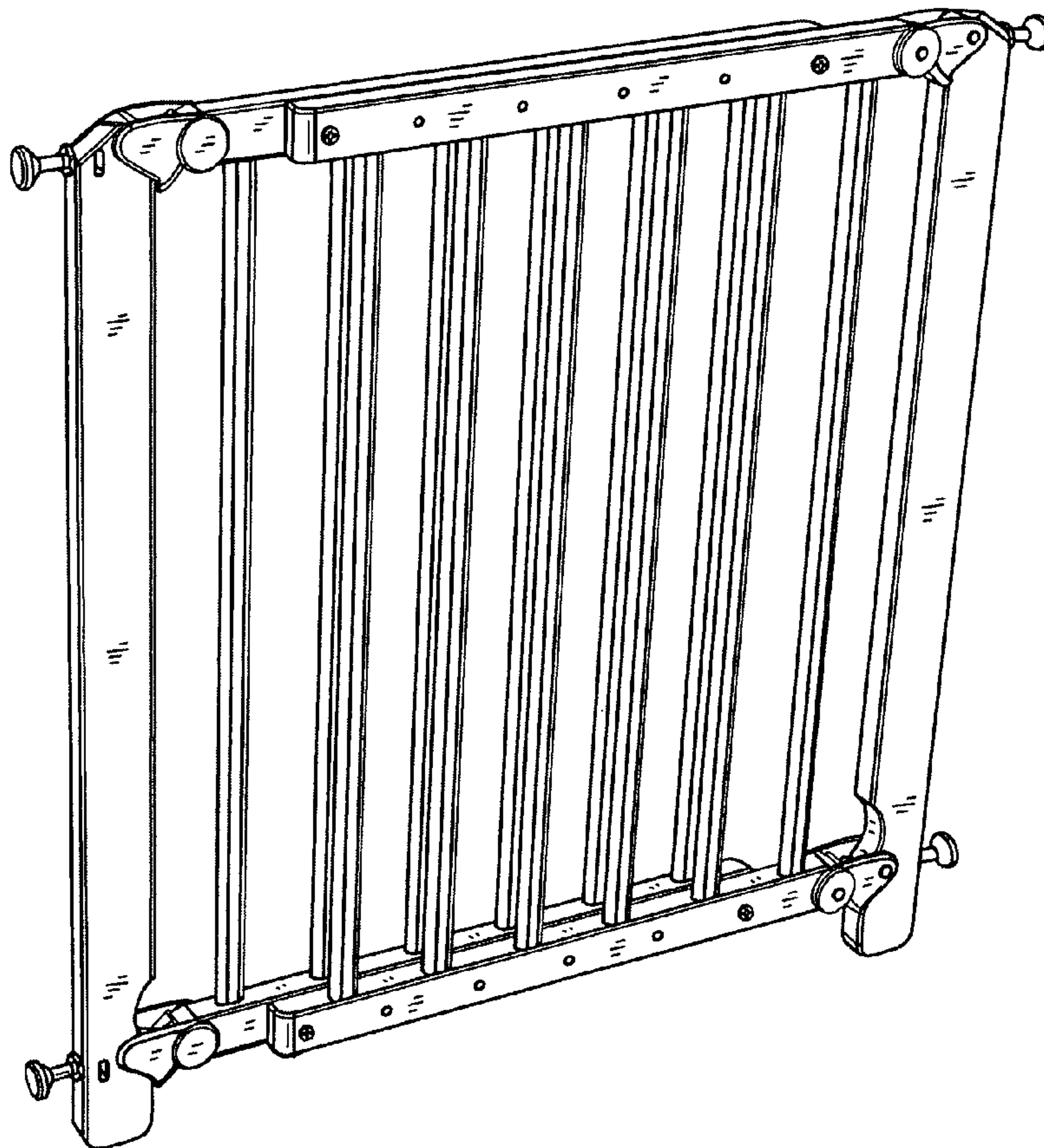
FIG. 2 is a front elevation of the child safety barrier shown in FIG. 1 in an open position. The rear is substantially identical to the front.

FIG. 3 is a top, front and first end corner perspective detail of the child safety barrier of FIGS. 1 and 2 in the closed position. The top and second end are substantially identical.

FIG. 4 is a first end corner perspective detail of the child safety barrier shown in FIGS. 1, 2 and 3 in open position. The rear, top and second end are substantially identical; and,

FIG. 5 is a front elevation of the child safety barrier shown in FIGS. 1-4.

1 Claim, 5 Drawing Sheets



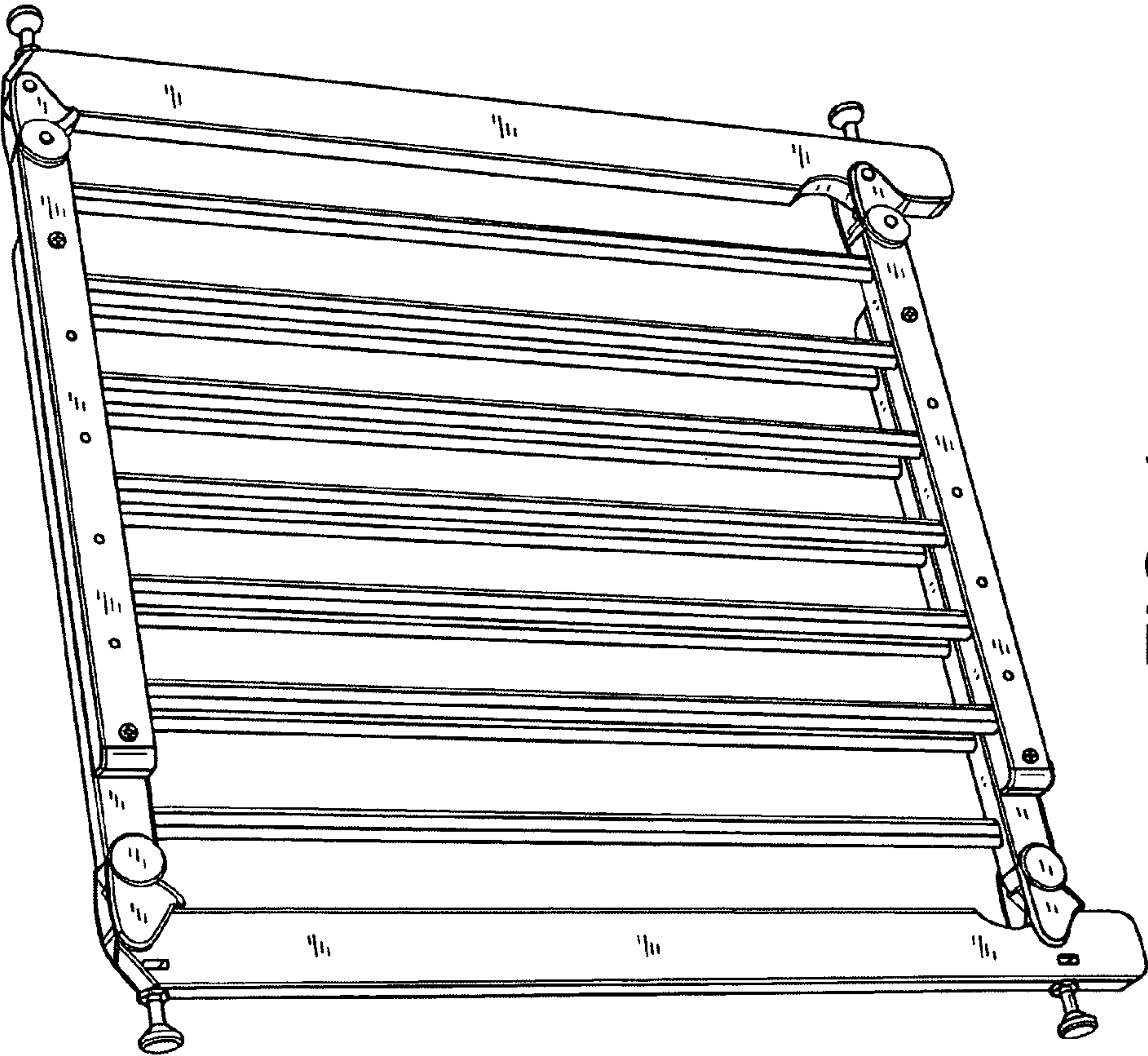


FIG. 1

FIG. 2

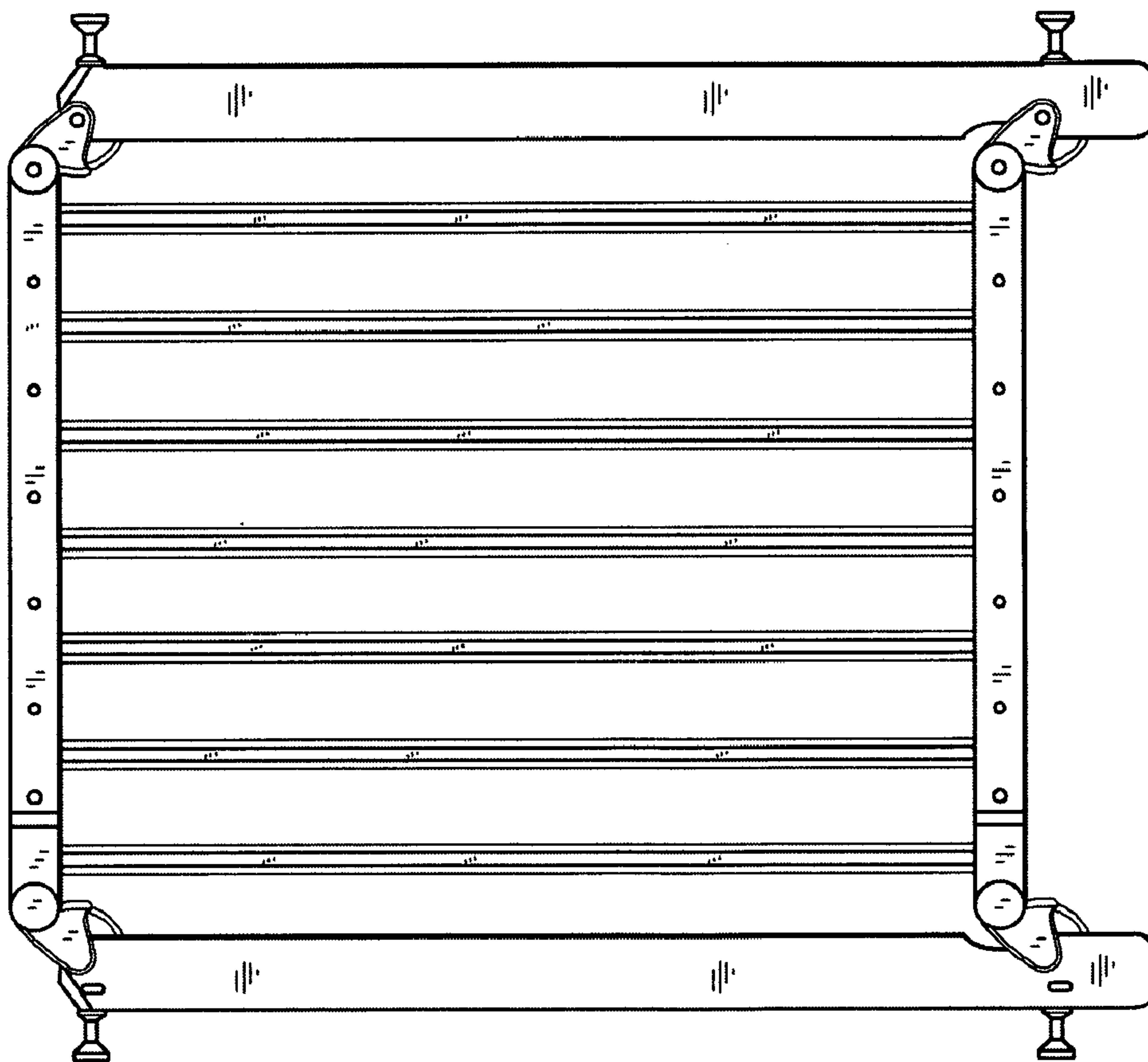
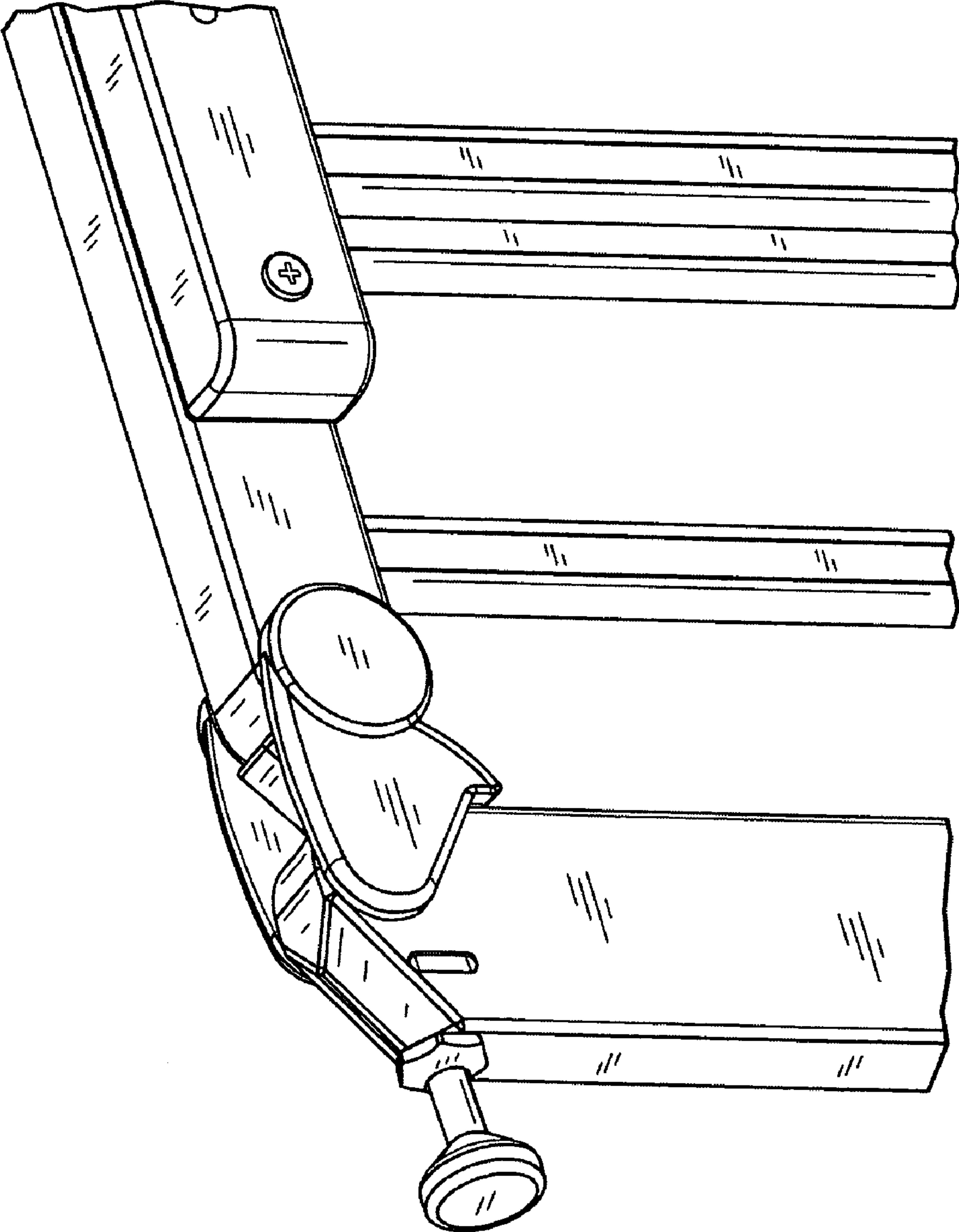


FIG. 3



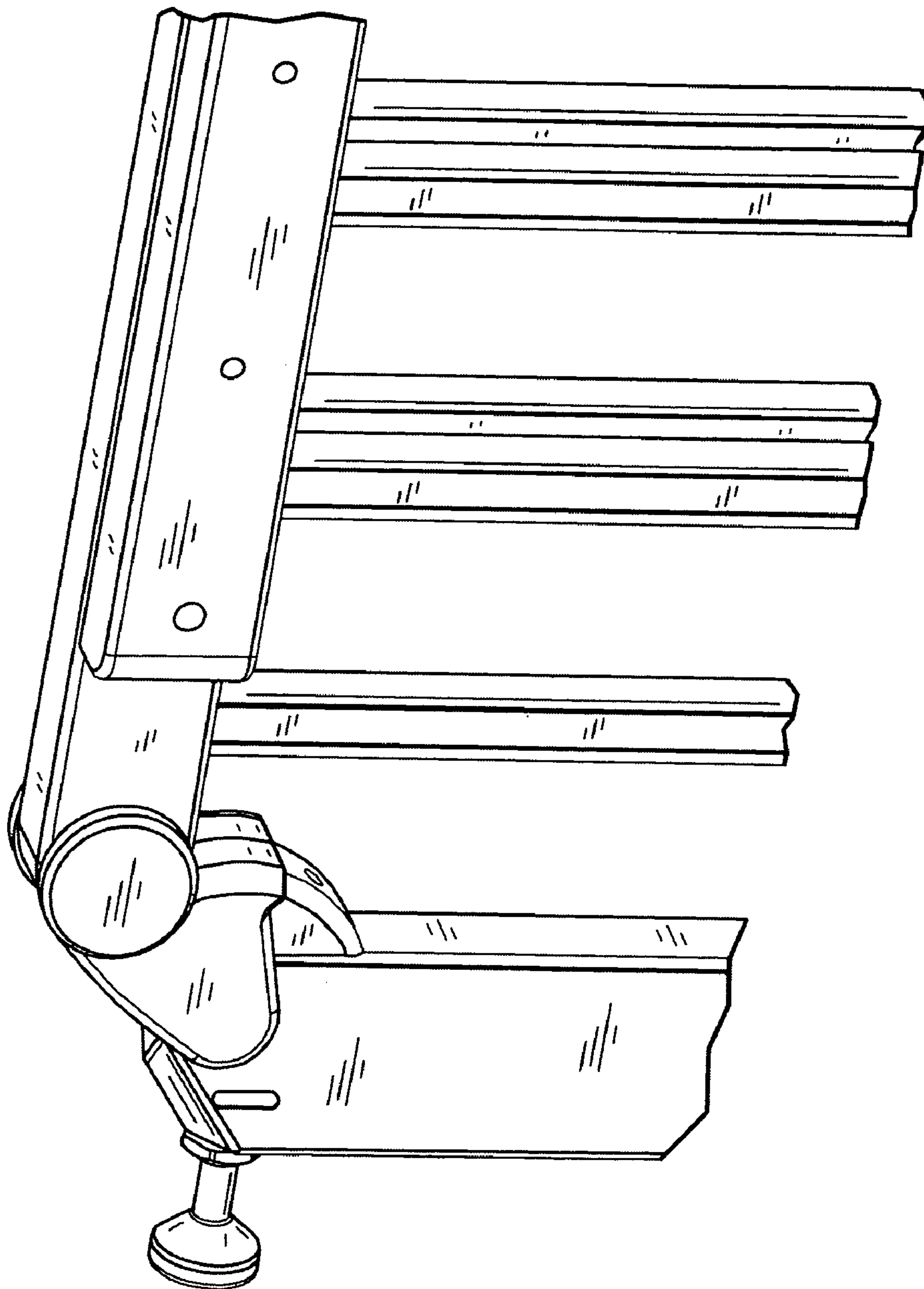


FIG. 4

FIG. 5

