



US00D626657S

(12) **United States Design Patent**
Distler

(10) **Patent No.:** **US D626,657 S**

(45) **Date of Patent:** **** Nov. 2, 2010**

(54) **MANUAL ERECTION SYSTEM**

(75) Inventor: **Lukas Distler**, Moerfelder-Walldorf
(DE)

(73) Assignee: **Kessel Marketing & Vertriebs GmbH**,
Moerfelden-Walldorf (DE)

(**) Term: **14 Years**

(21) Appl. No.: **29/355,746**

(22) Filed: **Feb. 12, 2010**

(30) **Foreign Application Priority Data**

Aug. 18, 2009 (EM) 001161533-0001

(51) **LOC (9) Cl.** **28-03**

(52) **U.S. Cl.** **D24/215**

(58) **Field of Classification Search** D24/200,
D24/204, 206, 211–215, 201; 601/19, 22,
601/27, 28, 29, 30, 31, 39, 46, 56, 63, 68,
601/72, 80, 125, 135, 157, 169, DIG. 12,
601/DIG. 14, DIG. 16, DIG. 17; D6/335,
D6/336; D21/685

See application file for complete search history.

(56) **References Cited**

U.S. PATENT DOCUMENTS

4,741,329 A * 5/1988 Marcune 600/41
4,856,498 A * 8/1989 Osbon 600/38
4,856,499 A * 8/1989 Kelly 600/38
D330,081 S * 10/1992 Walsh D24/143
5,195,943 A * 3/1993 Chaney 600/41
5,213,563 A * 5/1993 Cox 600/38
5,244,453 A * 9/1993 Osbon et al. 600/38
D345,420 S * 3/1994 Stewart, Sr. D24/143
D346,219 S * 4/1994 Fardigh D24/143

5,421,808 A * 6/1995 Osbon et al. 600/38
5,624,378 A * 4/1997 Baldecchi 600/38
5,683,383 A * 11/1997 Russell et al. 600/39
6,017,320 A * 1/2000 Bleeker et al. 601/125
D420,740 S * 2/2000 Gamper et al. D24/143
D530,019 S * 10/2006 Crunick et al. D24/211
D610,692 S * 2/2010 Heilman D24/201

* cited by examiner

Primary Examiner—Sandra Snapp

(74) *Attorney, Agent, or Firm*—Butzel Long

(57) **CLAIM**

The ornamental design for the manual erection system, as shown and described.

DESCRIPTION

FIG. 1 is a perspective view of a manual erection system according to an exemplary embodiment of the present invention;

FIG. 2 is a left-side elevation view of the manual erection system of the embodiment of FIG. 1;

FIG. 3 is a right-side elevation view of the manual erection system of the embodiment of FIG. 1;

FIG. 4 is a top-down view of the manual erection system of the embodiment of FIG. 1;

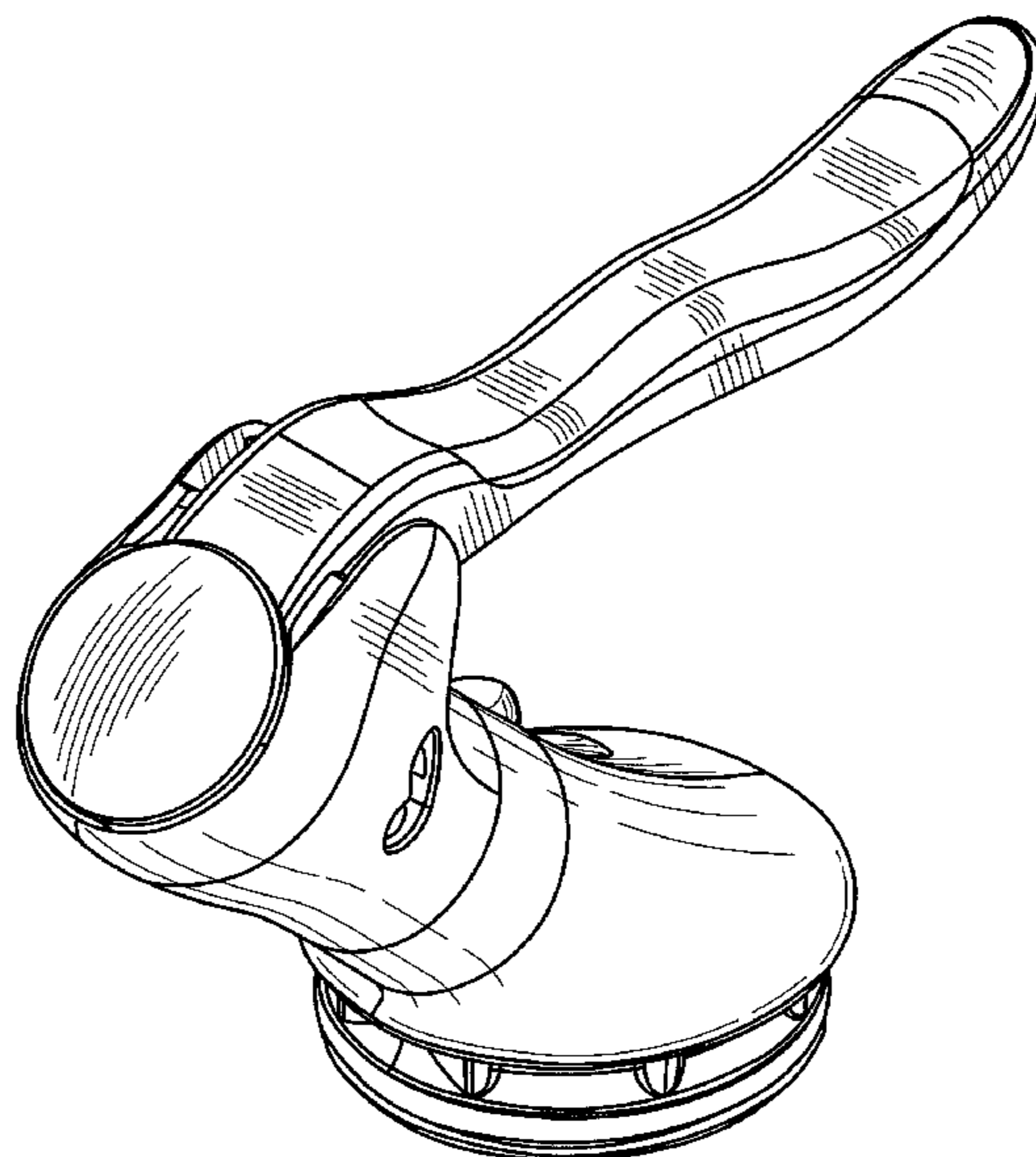
FIG. 5 is a front elevation view of the manual erection system of the embodiment of FIG. 1;

FIG. 6 is a rear elevation view of the manual erection system of the embodiment of FIG. 1; and,

FIG. 7 is a bottom-up view of the manual erection system of the embodiment of FIG. 1.

The broken line structures shown in the drawings form no part of the claimed design.

1 Claim, 7 Drawing Sheets



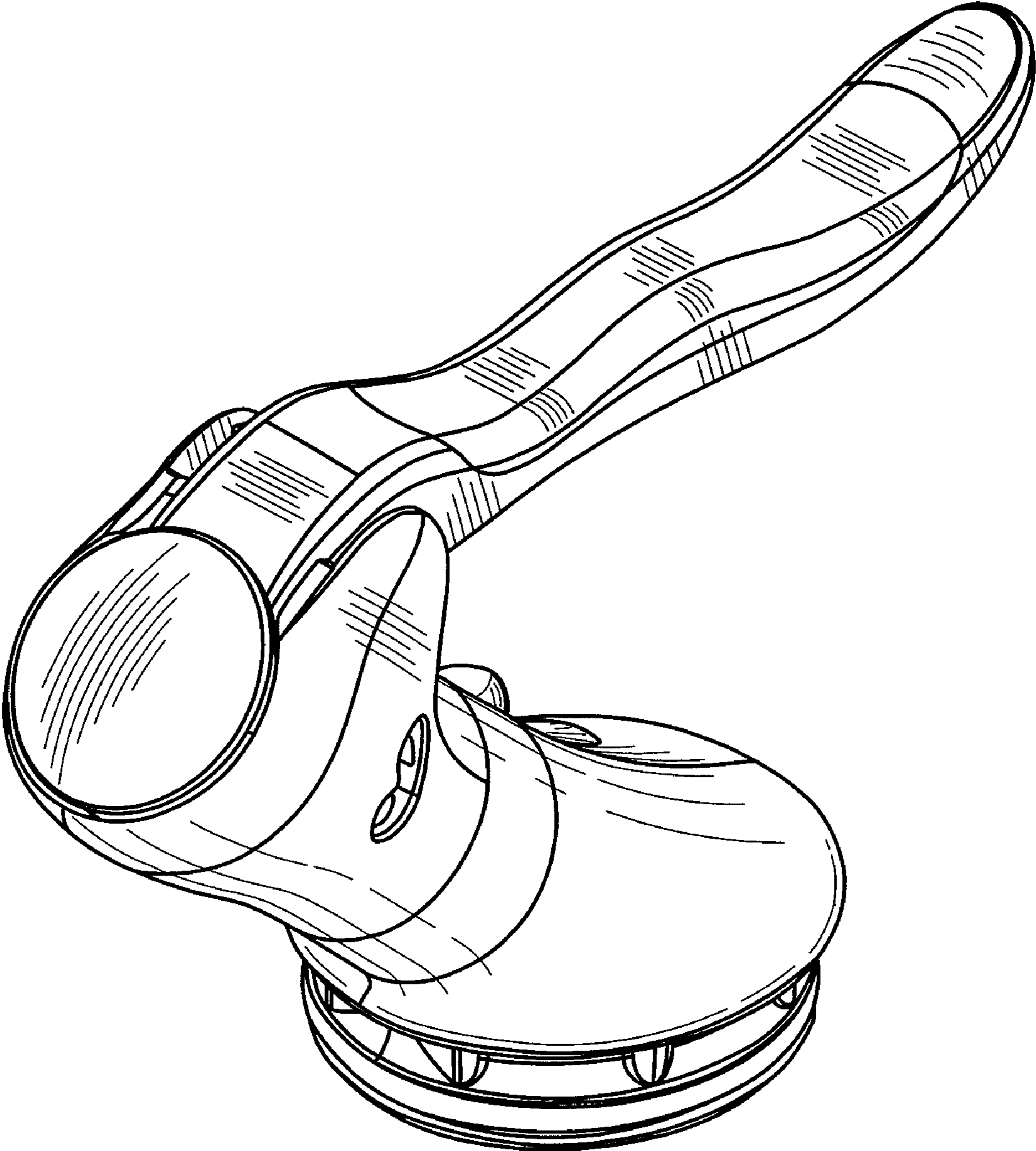


FIG - 1

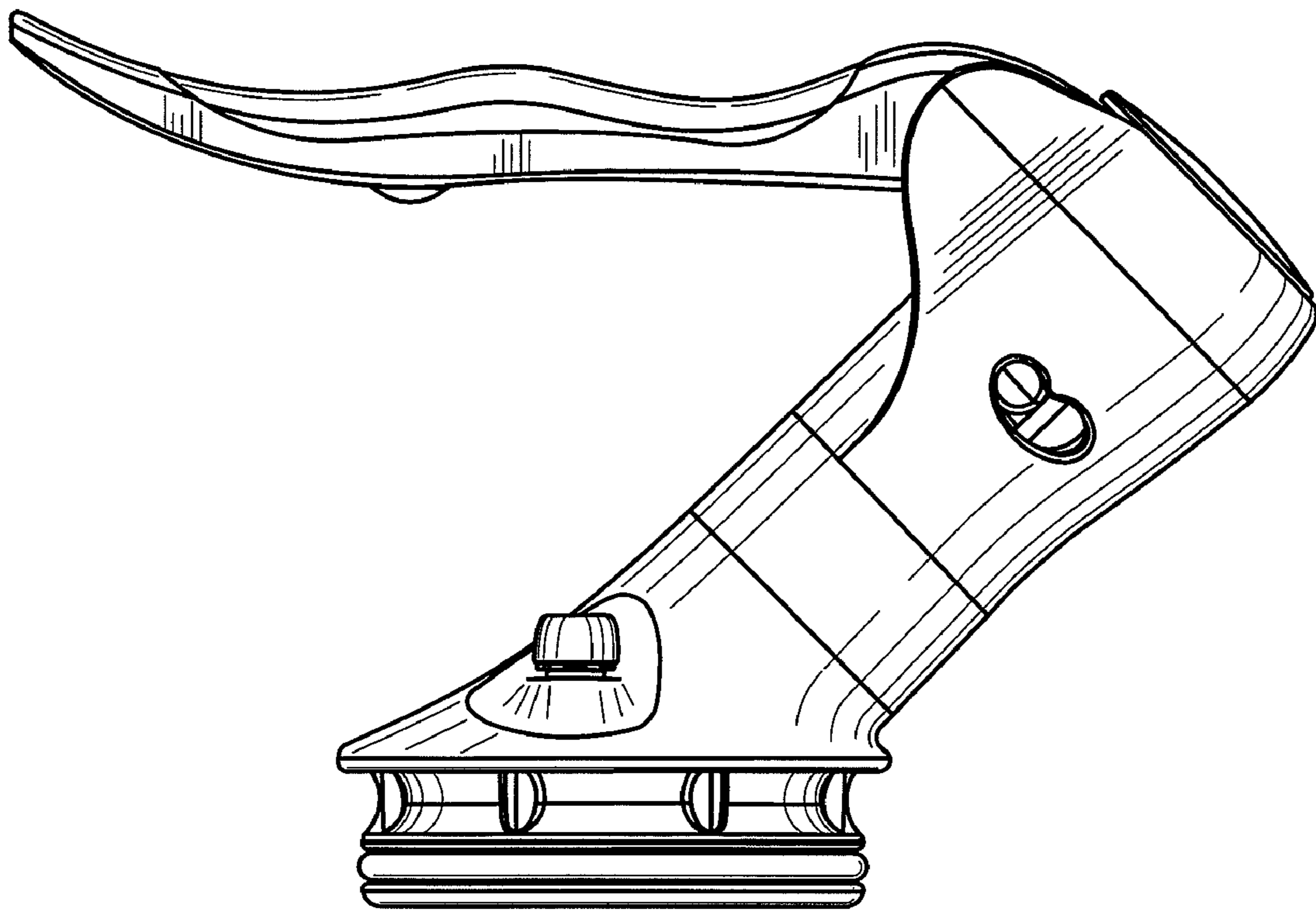


FIG - 2

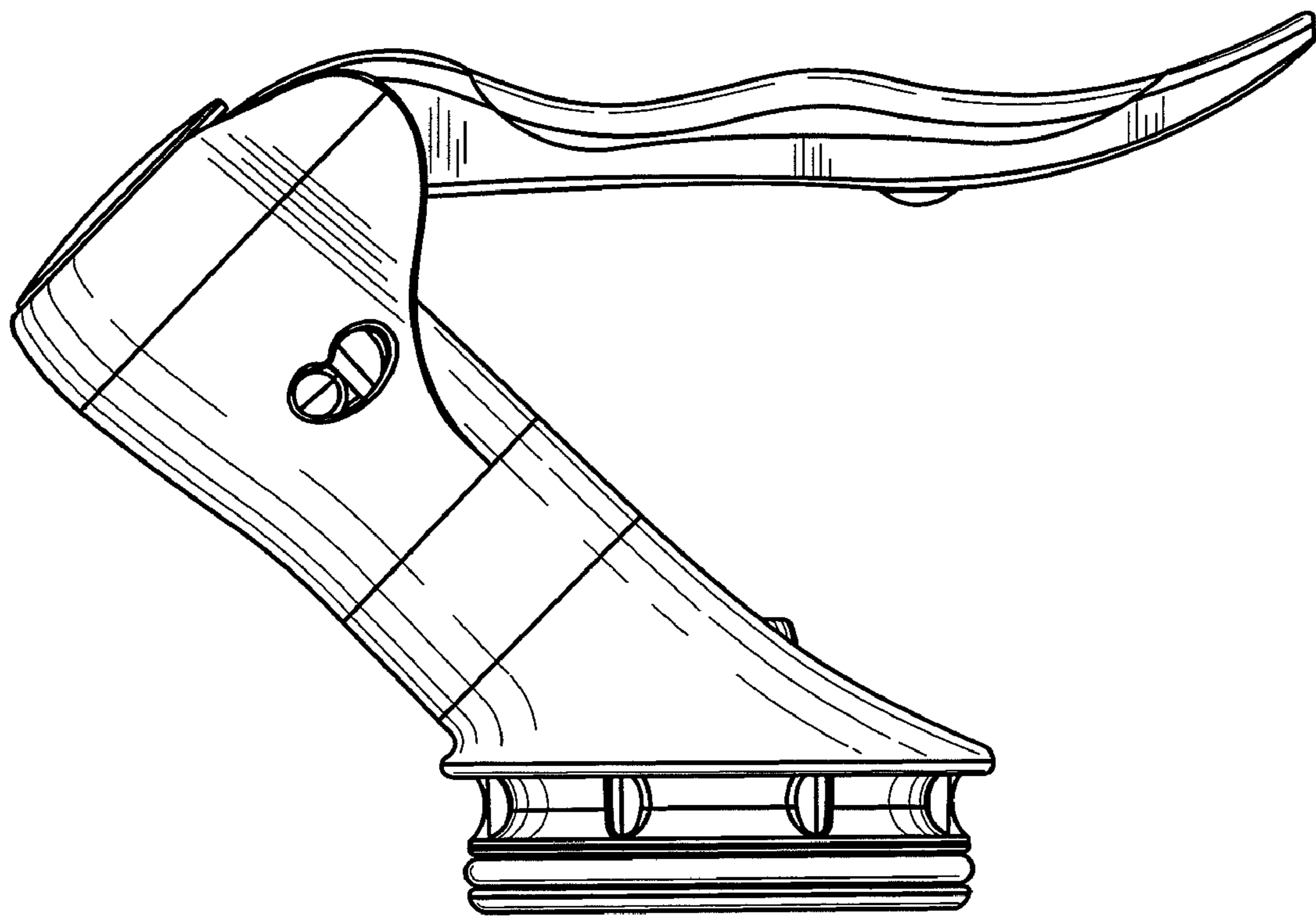


FIG - 3

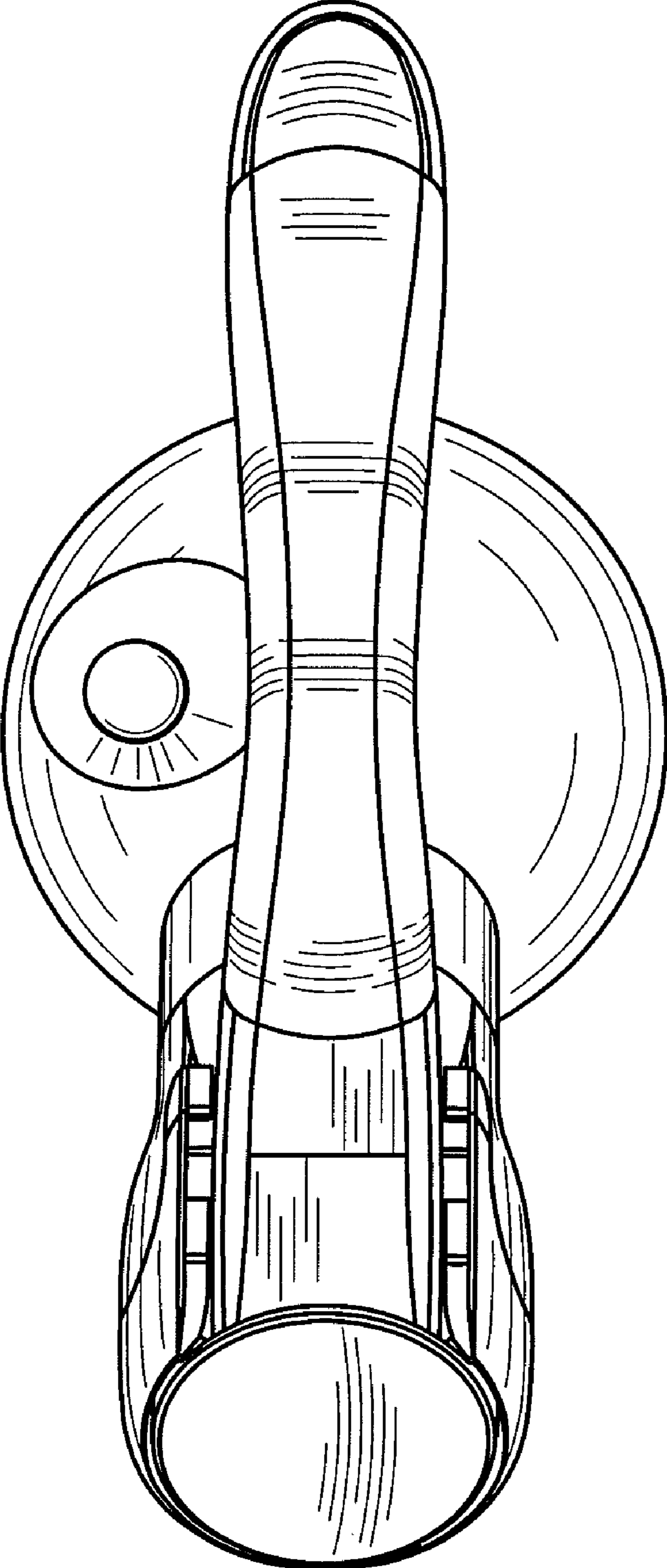


FIG - 4

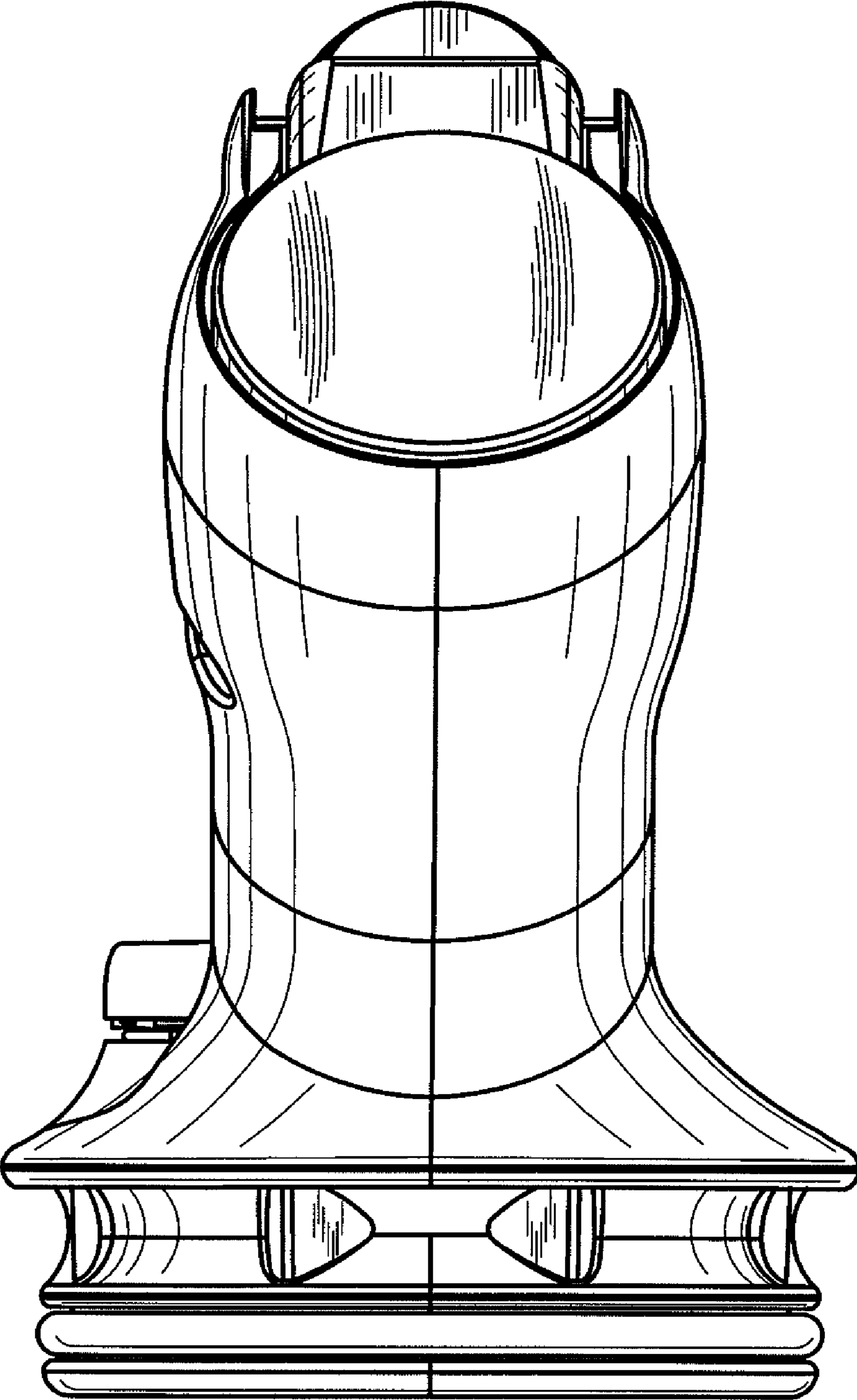


FIG - 5

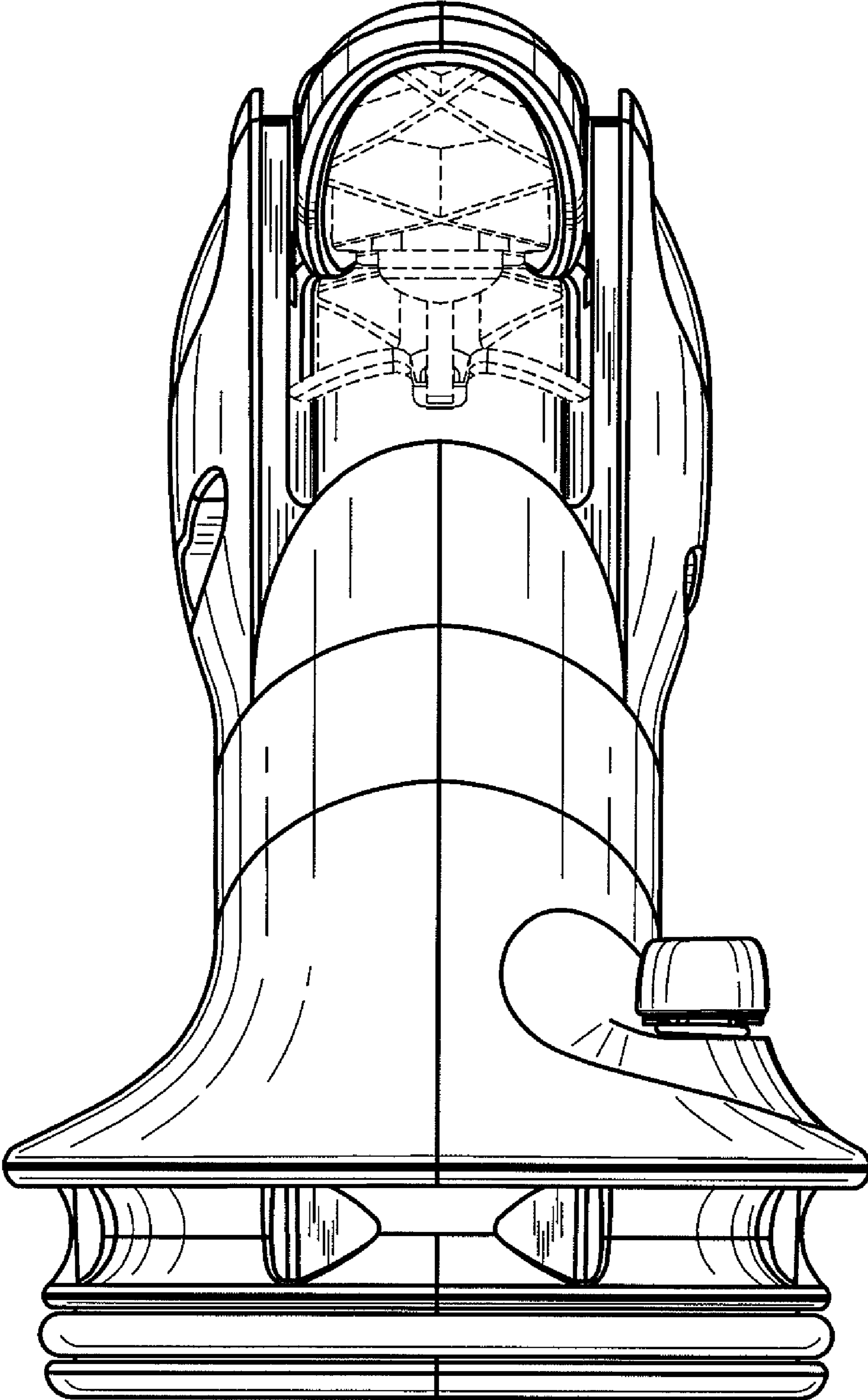


FIG - 6

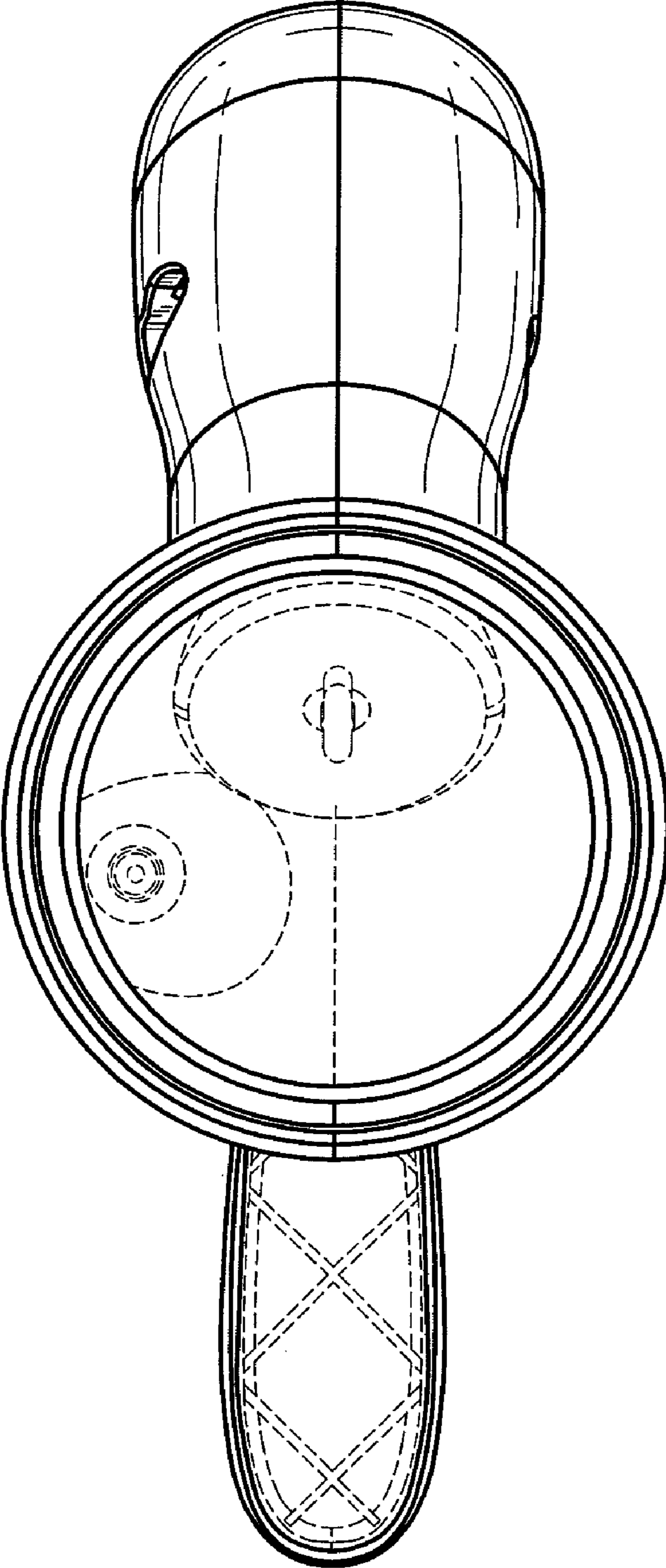


FIG - 7