



US00D626653S

(12) **United States Design Patent**  
**Roehrig et al.**

(10) **Patent No.:** **US D626,653 S**  
(45) **Date of Patent:** **\*\* Nov. 2, 2010**

(54) **PACIFIER**

(75) Inventors: **Peter Roehrig**, Vienna (AT); **Ernst W. Beranek**, Vienna (AT)

(73) Assignee: **Mam Babyartikel Gesellschaft m.b.H.**, Vienna (AT)

(\*\*) Term: **14 Years**

(21) Appl. No.: **29/315,854**

(22) Filed: **Jul. 29, 2009**

**Related U.S. Application Data**

(63) Continuation-in-part of application No. 29/313,673, filed on Jan. 30, 2009, now Pat. No. Des. 609,816.

(30) **Foreign Application Priority Data**

Jul. 30, 2008 (EM) ..... 000979299-0001

(51) **LOC (9) Cl.** ..... **24-04**

(52) **U.S. Cl.** ..... **D24/194**

(58) **Field of Classification Search** ..... D24/193-196;  
606/234-236, 438; 215/11.1-11.6; 604/77-78;  
128/200.24, 201.26, 203.12  
See application file for complete search history.

(56) **References Cited**

**U.S. PATENT DOCUMENTS**

D340,525 S \* 10/1993 Rohrig ..... D24/194  
5,403,349 A \* 4/1995 Rohrig ..... 606/234  
D393,074 S \* 3/1998 Fields et al. .... D24/194  
D430,675 S \* 9/2000 Roehrig ..... D24/194  
D453,379 S \* 2/2002 Roehrig ..... D24/194

6,695,869 B2 \* 2/2004 Fitzpatrick et al. .... 606/234  
D501,256 S \* 1/2005 Roehrig ..... D24/194  
D532,522 S \* 11/2006 Struckmeier ..... D24/194  
D558,354 S \* 12/2007 Roehrig ..... D24/194  
D574,963 S \* 8/2008 Kliegman et al. .... D24/194  
D607,573 S \* 1/2010 Roehrig et al. .... D24/194  
D609,816 S \* 2/2010 Roehrig et al. .... D24/194  
2008/0177305 A1 \* 7/2008 Vath et al. .... 606/234  
2009/0248074 A1 \* 10/2009 Kliegman et al. .... 606/236  
2010/0030264 A1 \* 2/2010 Roehrig et al. .... 606/234

**FOREIGN PATENT DOCUMENTS**

EM 000979299-0001 8/2008  
EM 000979299-0002 8/2008

\* cited by examiner

*Primary Examiner*—Susan E Krakower

(74) *Attorney, Agent, or Firm*—Abelman, Frayne & Schwab

(57) **CLAIM**

The ornamental design for a pacifier, as shown and described.

**DESCRIPTION**

FIG. 1 is a front elevation view of the pacifier showing the new design, the back being a mirror image thereof;

FIG. 2 is a right side elevation view thereof, the left side being a mirror image thereof;

FIG. 3 is a top plan view thereof;

FIG. 4 is a bottom plan view thereof; and,

FIG. 5 is a top and left side perspective view thereof.

The broken lines illustrate portions of the pacifier that form no part of the claimed design.

**1 Claim, 5 Drawing Sheets**

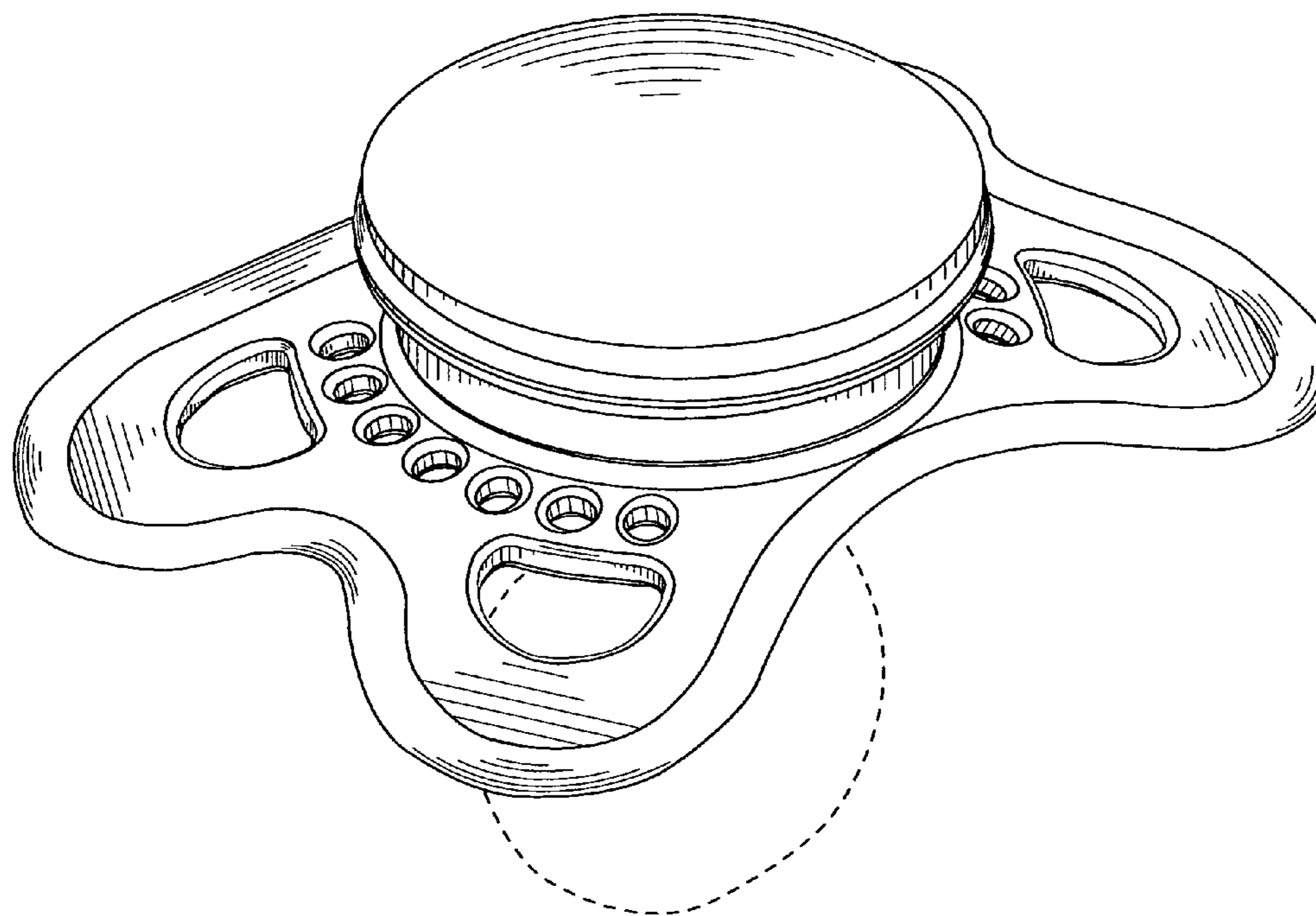


FIG. 1

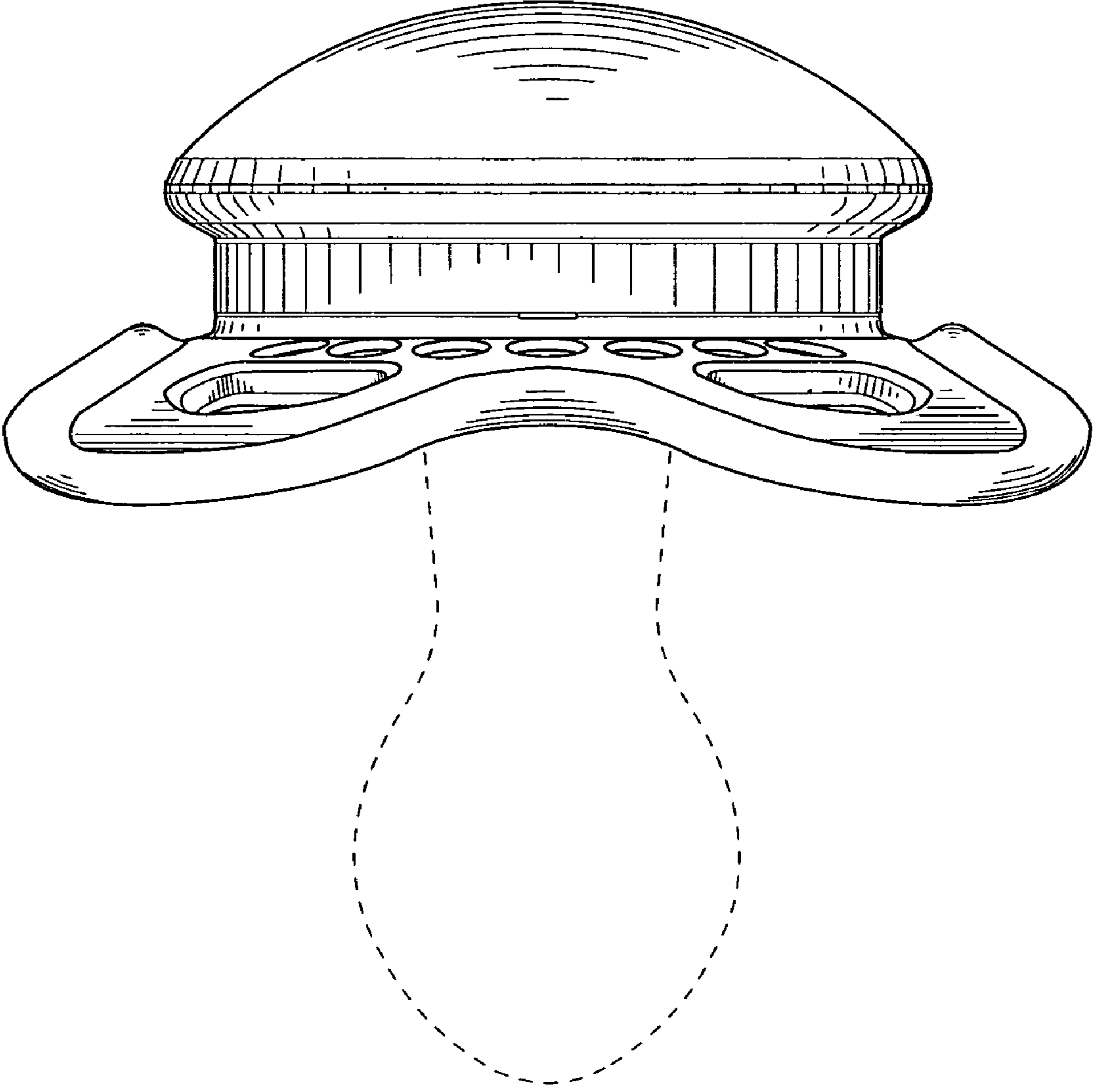
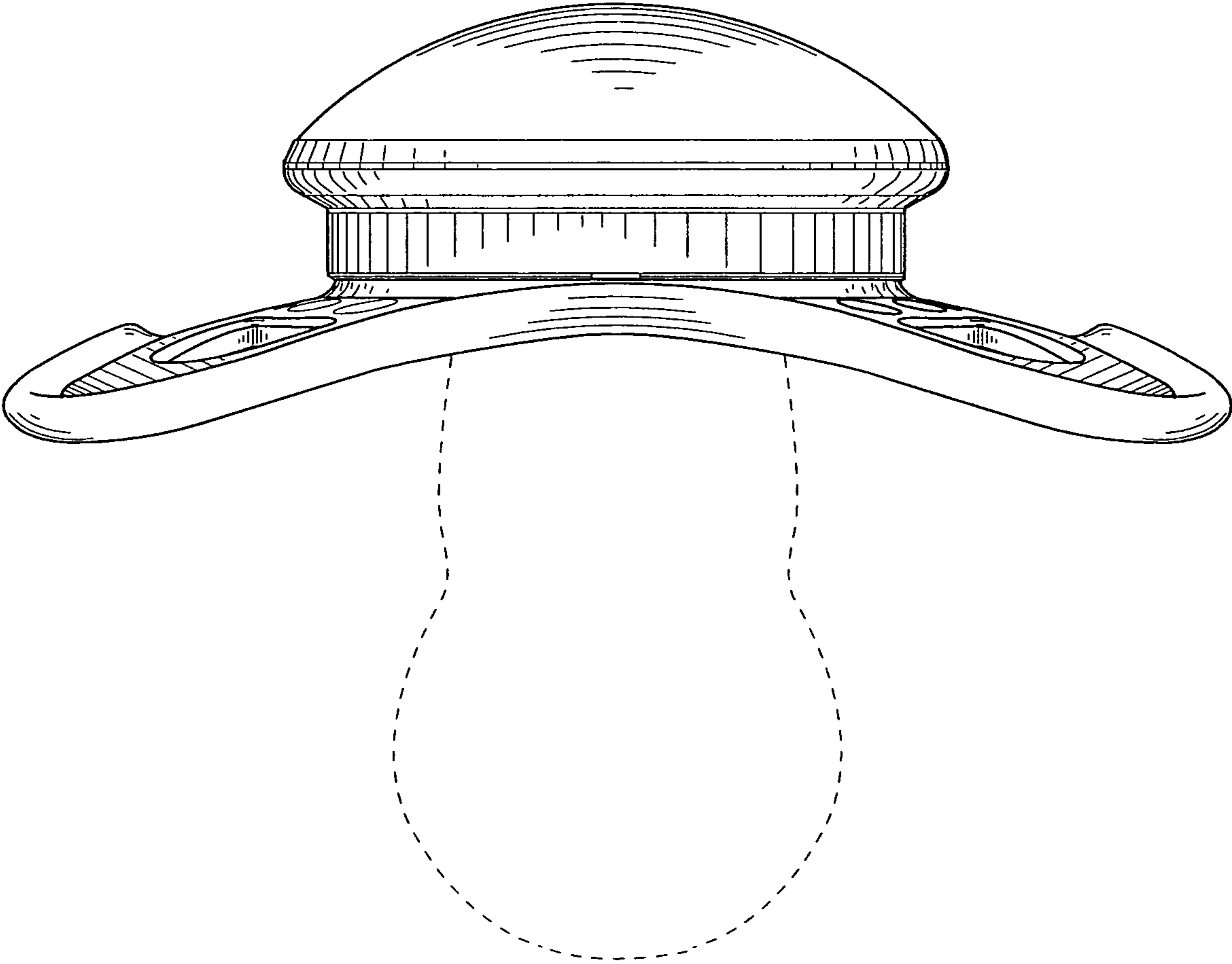


FIG. 2



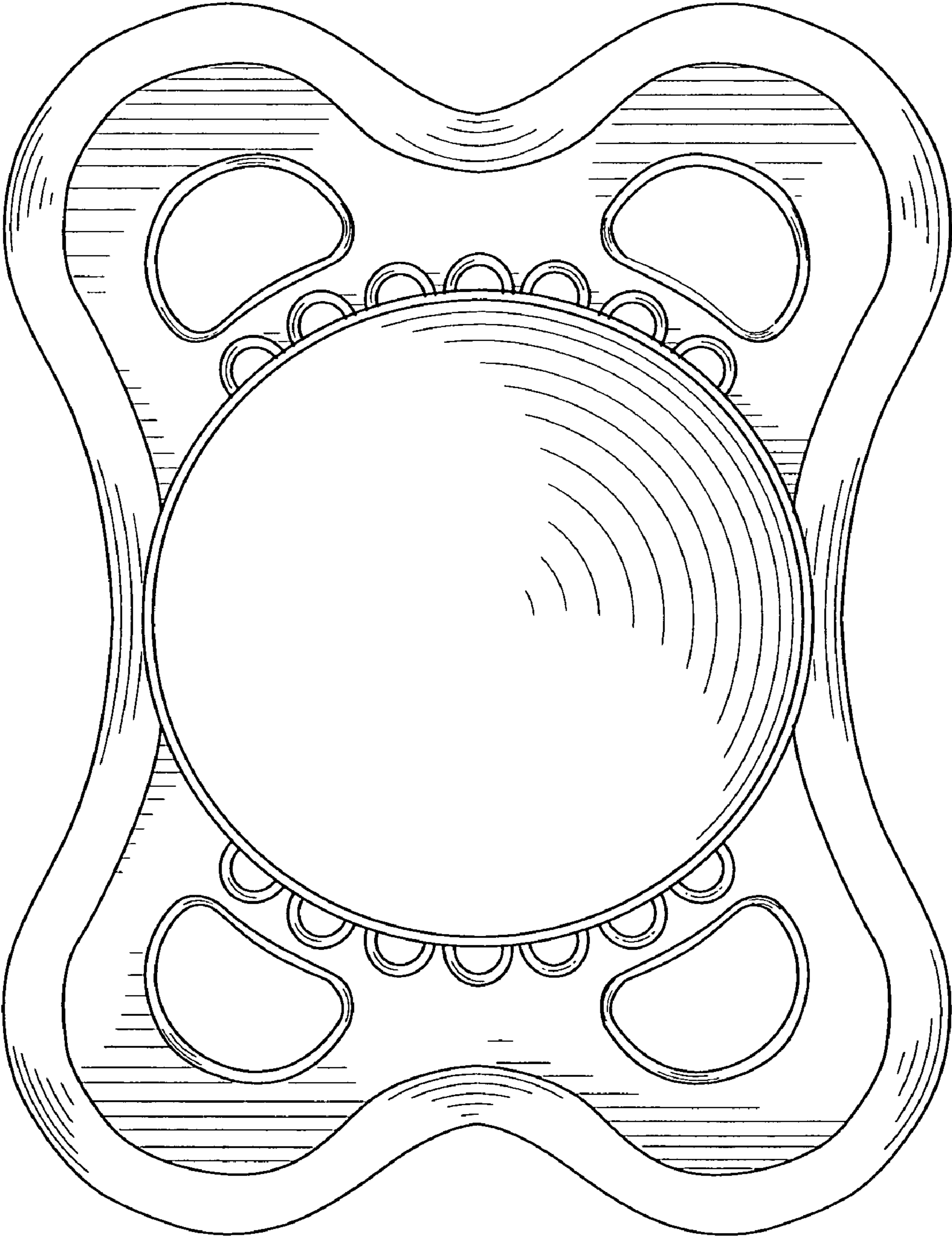


FIG. 3

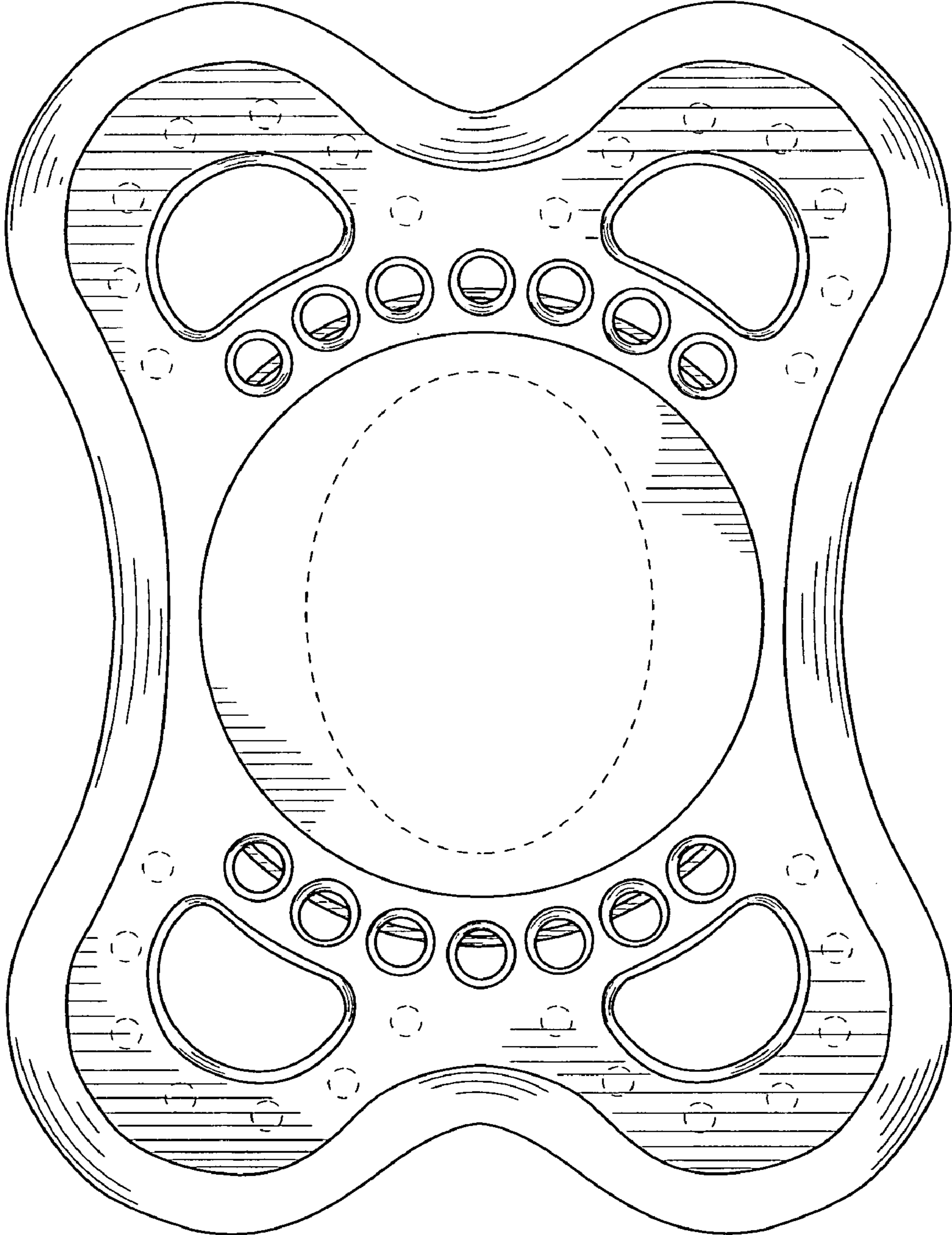


FIG. 4

FIG. 5

