



US00D626652S

(12) **United States Design Patent**
Klecker et al.

(10) **Patent No.:** **US D626,652 S**
(45) **Date of Patent:** **** Nov. 2, 2010**

(54) **REPLACEABLE CARTRIDGE FOR A DENTAL SYRINGE**

2008/0182226 A1* 7/2008 Pernot 433/146
* cited by examiner

(75) Inventors: **Glenn A. Klecker**, Silverton, OR (US);
Troy A. Nelson, Carlton, OR (US)

Primary Examiner—Charles A Rademaker
(74) *Attorney, Agent, or Firm*—Alston & Bird LLP

(73) Assignee: **Dental Components LLC**, Newberg,
OR (US)

(57) **CLAIM**

The ornamental design for a replaceable cartridge for a dental syringe, as shown and described.

(**) Term: **14 Years**

(21) Appl. No.: **29/335,760**

DESCRIPTION

(22) Filed: **Apr. 21, 2009**

(51) **LOC (9) Cl.** **24-01**

(52) **U.S. Cl.** **D24/176**

(58) **Field of Classification Search** D24/152,
D24/162, 164, 165, 169, 176, 186; 433/25,
433/32, 83, 88, 89, 141–164; D23/209, 249
See application file for complete search history.

FIG. 1 is a perspective view of a replaceable cartridge for a dental syringe according to our new design;
FIG. 2 is another perspective view thereof;
FIG. 3 is a front elevation view thereof;
FIG. 4 is a rear elevation view thereof;
FIG. 5 is a left side elevation view thereof;
FIG. 6 is a right side elevation view thereof;
FIG. 7 is a top plan view thereof;
FIG. 8 is a bottom plan view thereof; and,
FIG. 9 is an exploded left side elevation view thereof shown in the environment of a dental syringe.

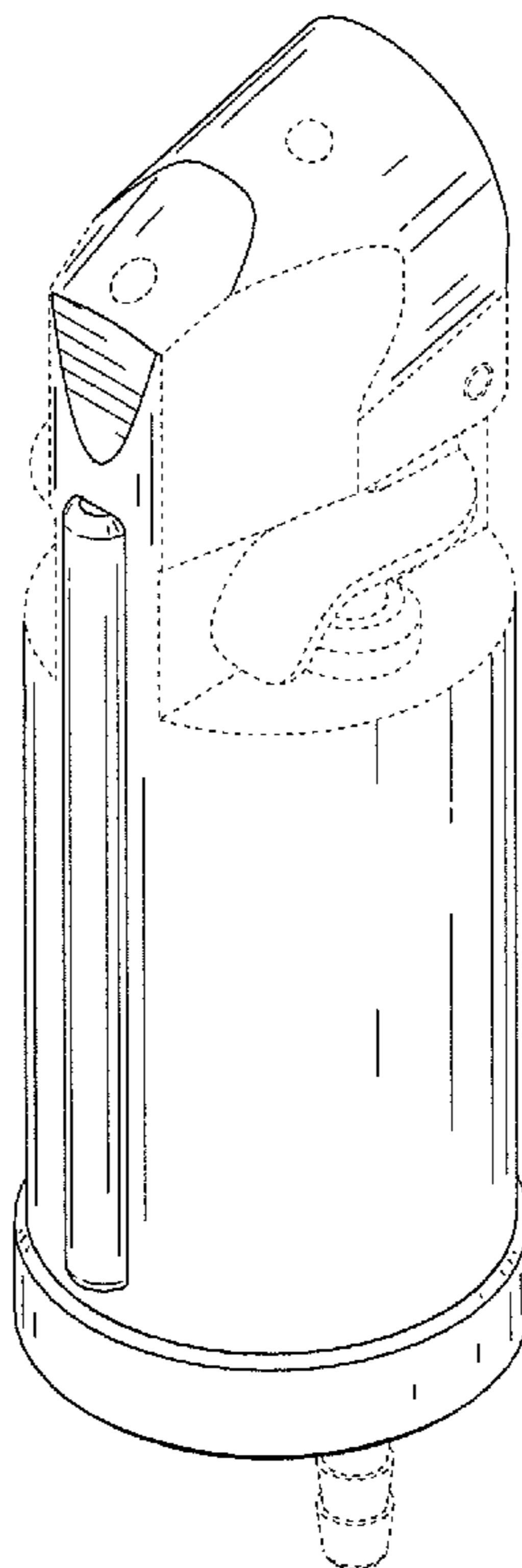
(56) **References Cited**

U.S. PATENT DOCUMENTS

4,443,195	A *	4/1984	Matsui	433/84
D374,912	S *	10/1996	Engelander	D23/209
D382,963	S *	8/1997	Didier	D24/162
D385,330	S *	10/1997	Edman et al.	D23/209
6,290,498	B1 *	9/2001	Lachapelle	433/84
6,416,322	B2 *	7/2002	Qualliotine et al.	433/88
6,485,303	B1 *	11/2002	Goldman et al.	433/88
D481,441	S *	10/2003	Liu	D23/209
D555,225	S *	11/2007	McCormack et al.	D23/209
D582,002	S *	12/2008	Suthmann	D23/209

Broken lines shown herein for illustrative purposes or which define the bounds of the claimed design form no part of the claimed design. The broken lines of FIGS. 1-8 define bounds and form no part of the claimed design. The broken lines of the dental syringe of FIG. 9 illustrate environmental structure and form no part of the claimed design.

1 Claim, 8 Drawing Sheets



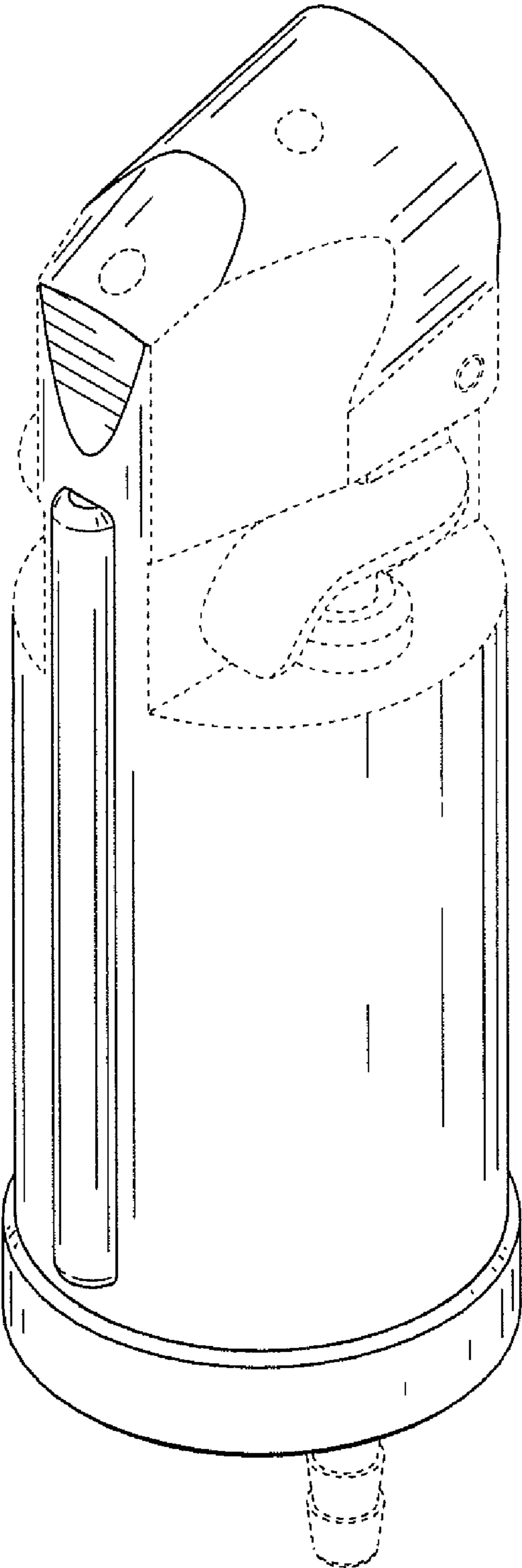


FIG. 1

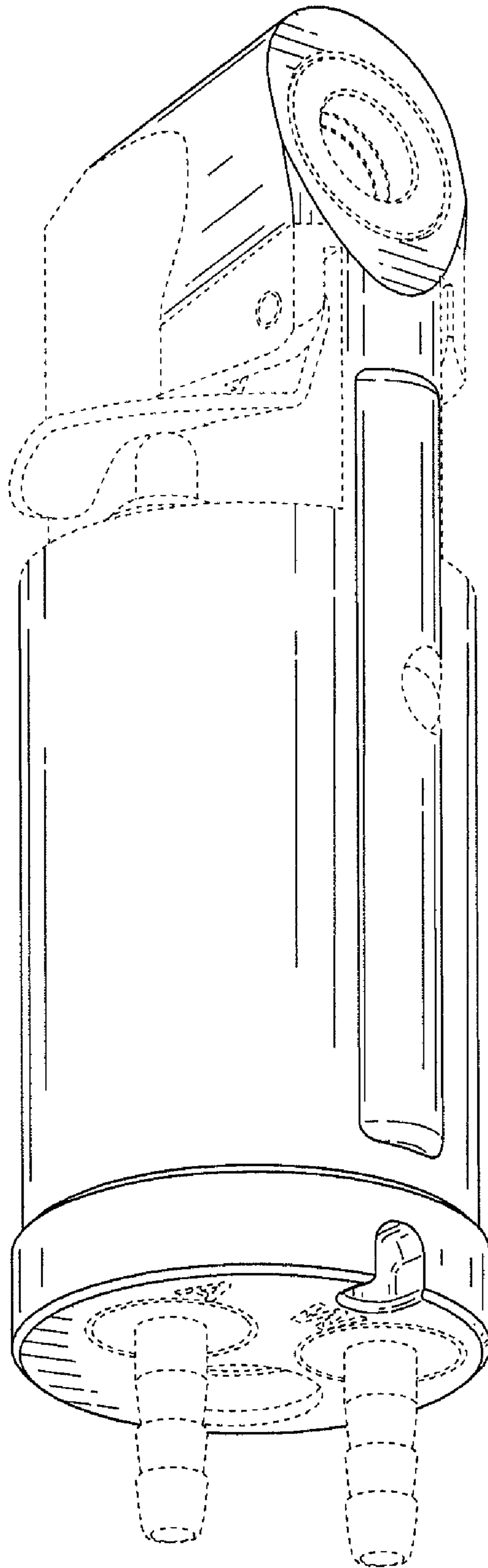


FIG. 2

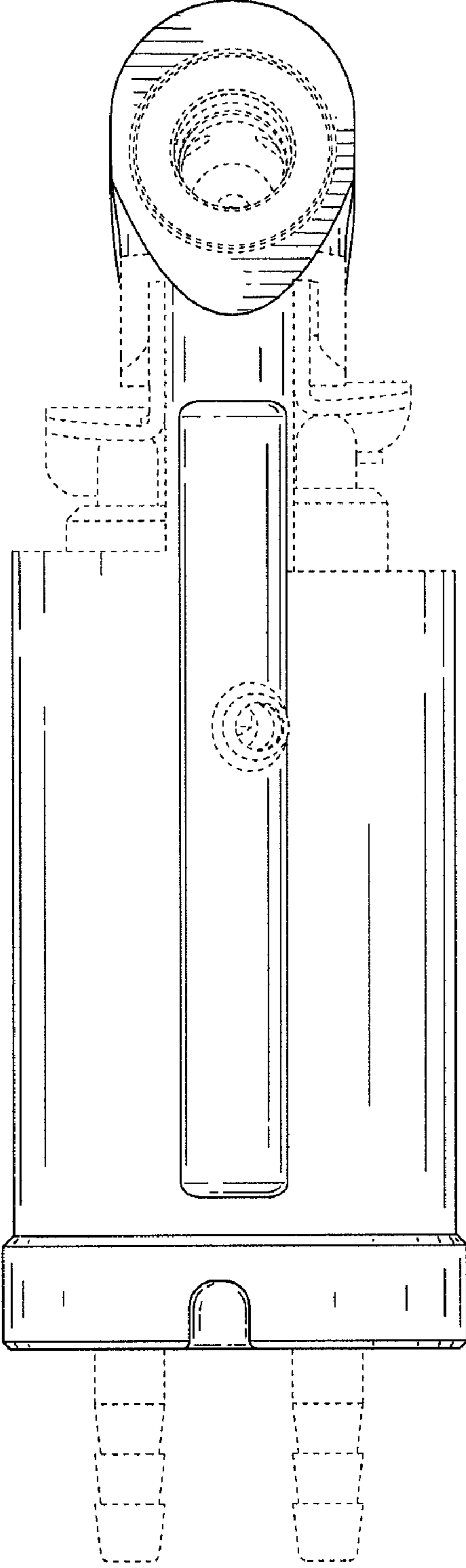


FIG. 3

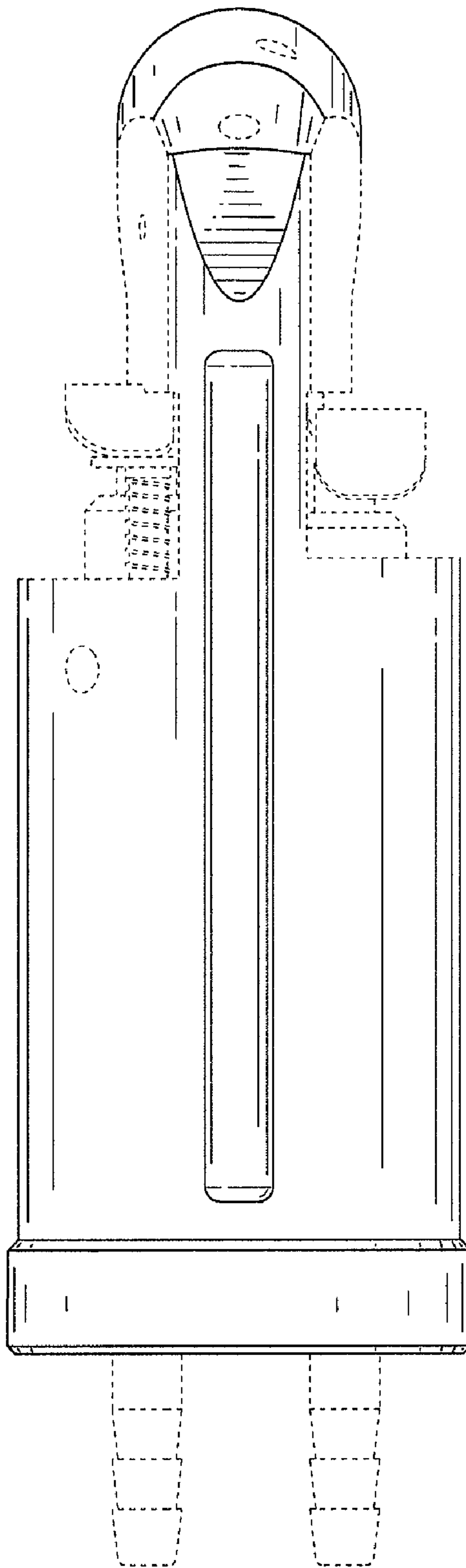


FIG. 4

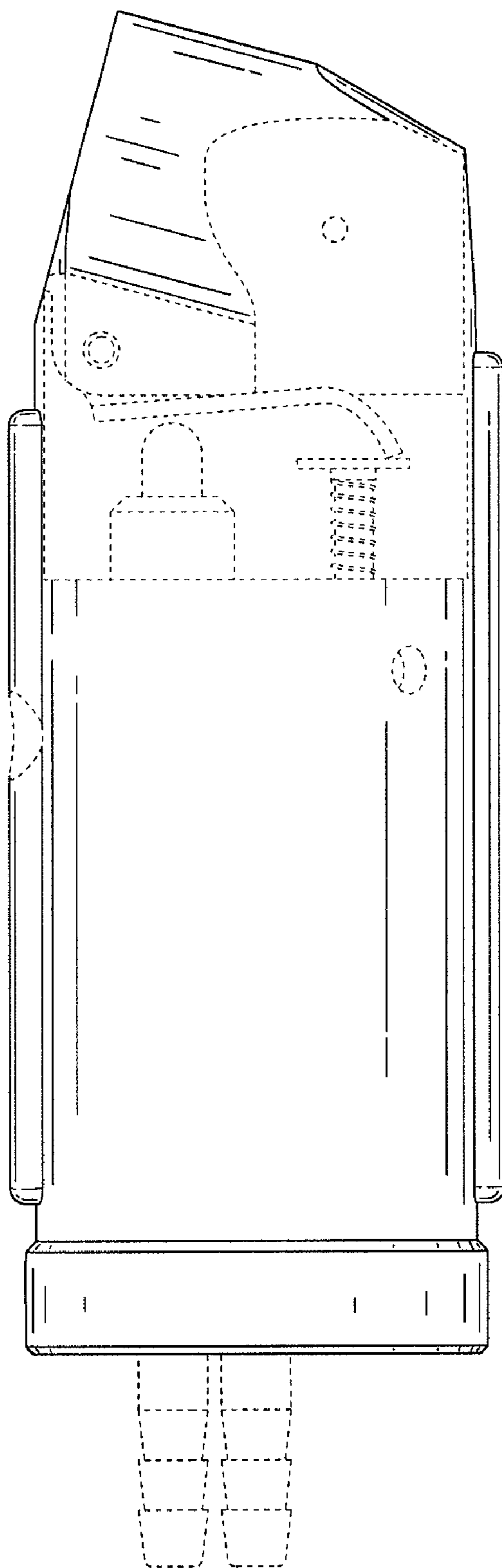


FIG. 5

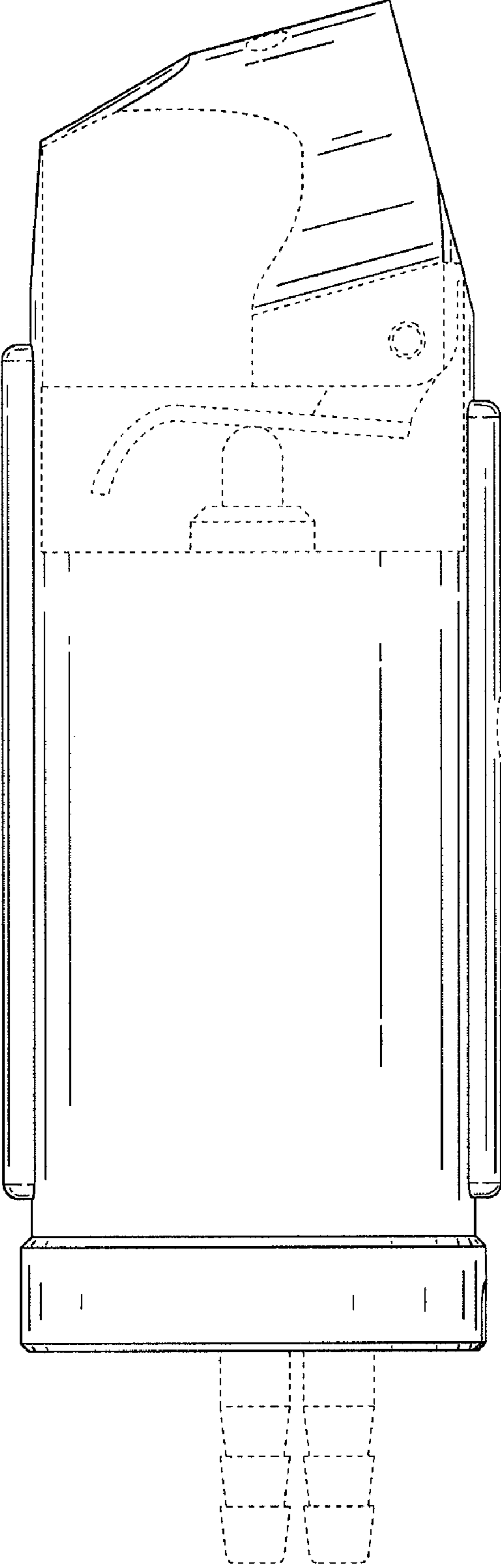


FIG. 6

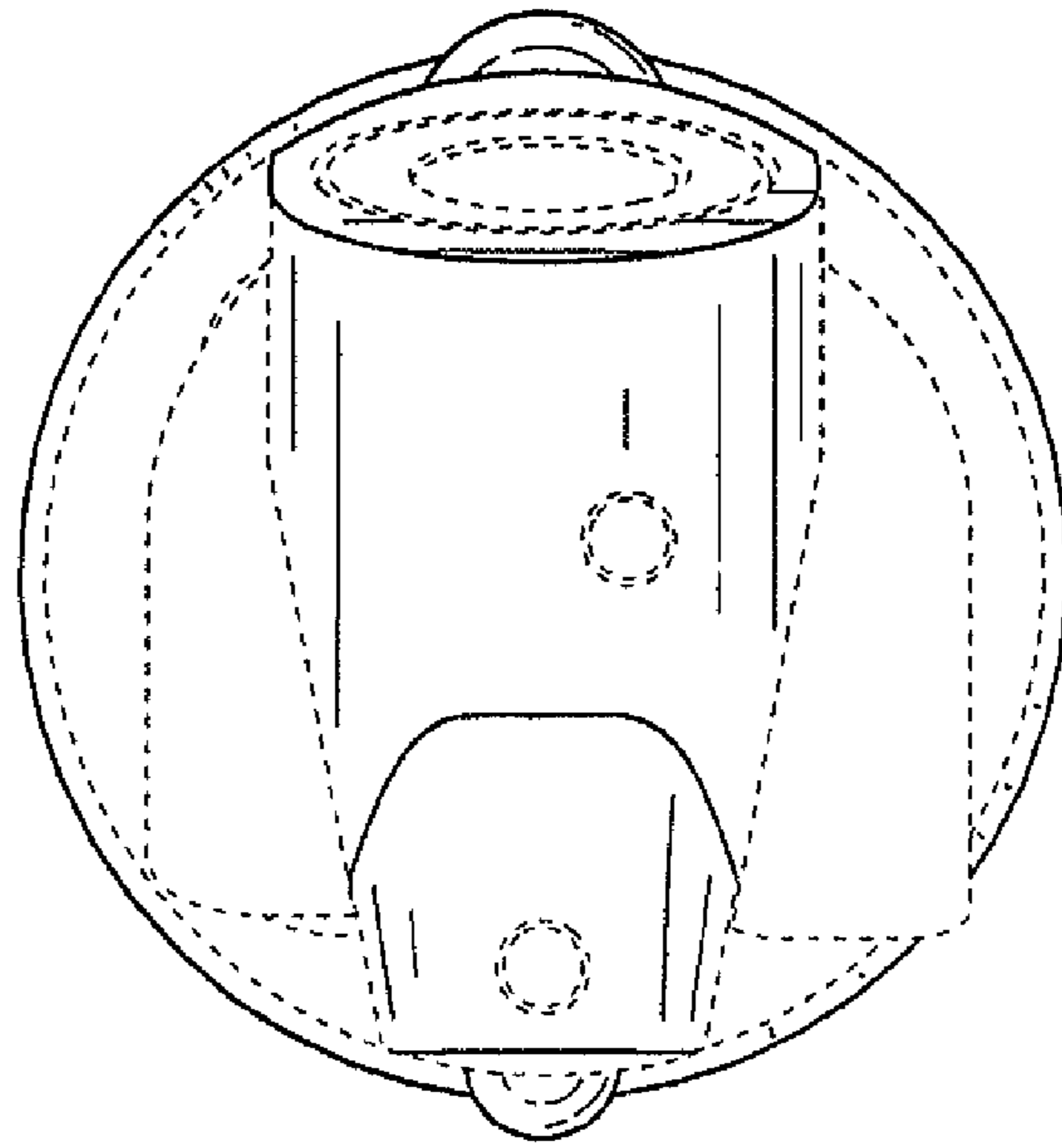


FIG. 7

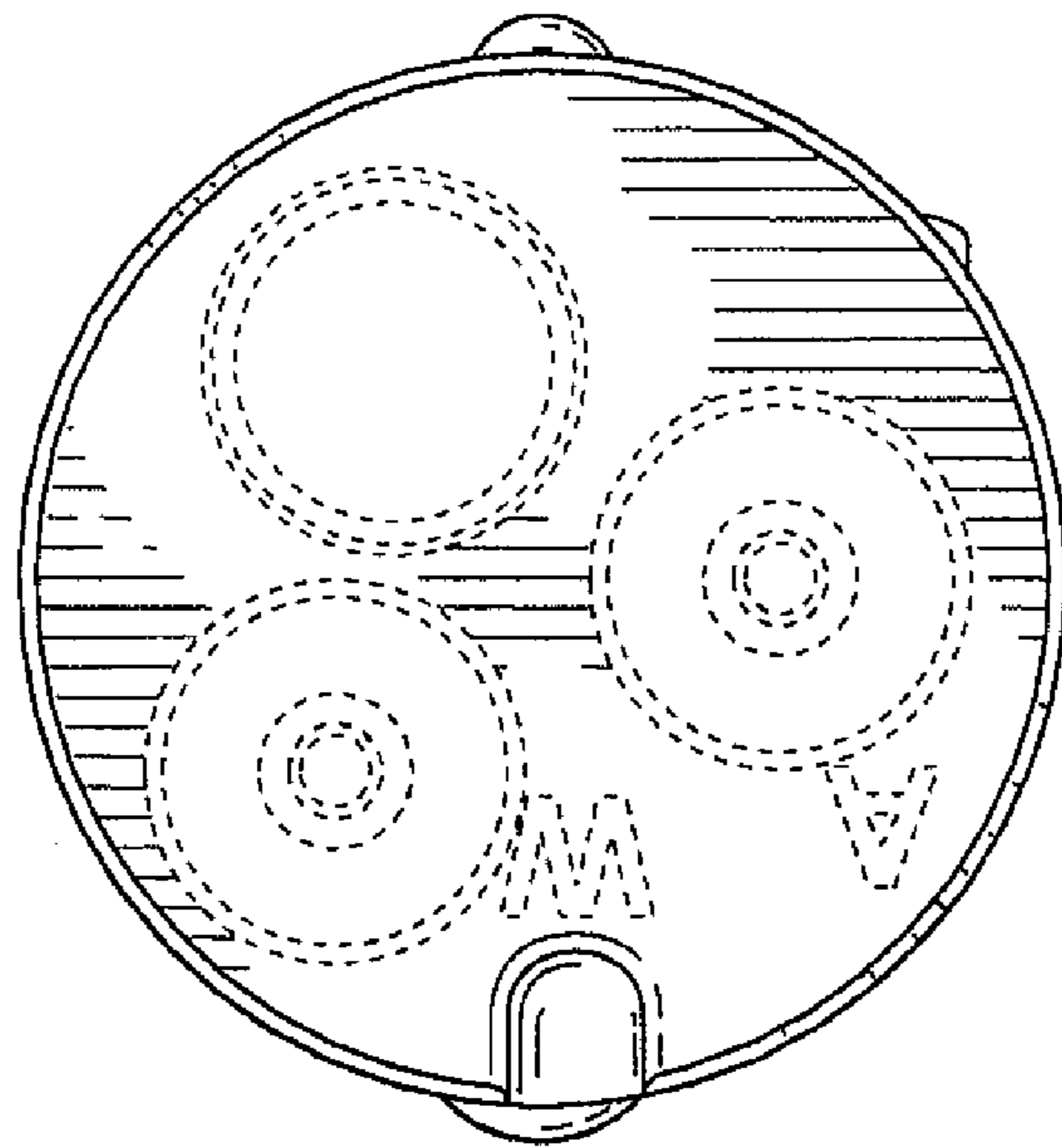


FIG. 8

FIG. 9

