



US00D626649S

(12) **United States Design Patent**
Baynham

(10) **Patent No.:** **US D626,649 S**

(45) **Date of Patent:** **** Nov. 2, 2010**

(54) **DISTRACTOR**

(75) Inventor: **Matthew G. Baynham**, Jupiter, FL (US)

(73) Assignee: **Atlas Spine, Inc.**, Jupiter, FL (US)

(**) Term: **14 Years**

(21) Appl. No.: **29/319,336**

(22) Filed: **Jun. 6, 2008**

(51) **LOC (9) Cl.** **24-02**

(52) **U.S. Cl.** **D24/135**

(58) **Field of Classification Search** D24/135,
D24/137, 138, 143, 145, 147, 148; 606/90,
606/99, 61, 63, 53; 600/210, 233, 234, 219,
600/217

See application file for complete search history.

(56) **References Cited**

U.S. PATENT DOCUMENTS

| | | | | | |
|--------------|------|---------|------------------|-------|---------|
| D291,729 | S * | 9/1987 | Greig | | D24/135 |
| 4,990,148 | A * | 2/1991 | Worrick et al. | | 606/83 |
| 5,681,337 | A * | 10/1997 | Bray, Jr. | | 606/170 |
| 6,126,674 | A * | 10/2000 | Janzen | | 606/206 |
| 6,200,320 | B1 * | 3/2001 | Michelson | | 606/83 |
| D460,553 | S * | 7/2002 | Koros et al. | | D24/147 |
| D463,859 | S * | 10/2002 | Koros et al. | | D24/147 |
| D488,229 | S * | 4/2004 | Rinner et al. | | D24/143 |
| 7,252,673 | B2 * | 8/2007 | Lim | | 606/99 |
| D613,407 | S * | 4/2010 | Baynham | | D24/146 |
| 2002/0072752 | A1 * | 6/2002 | Zucherman et al. | | 606/99 |
| 2007/0185375 | A1 * | 8/2007 | Stad et al. | | 600/101 |

| | | | | | |
|--------------|------|---------|--------------|-------|---------|
| 2007/0233153 | A1 * | 10/2007 | Shipp et al. | | 606/99 |
| 2008/0287995 | A1 * | 11/2008 | Gauthier | | 606/246 |
| 2009/0005784 | A1 * | 1/2009 | Blain et al. | | 606/90 |

* cited by examiner

Primary Examiner—Charles A Rademaker

Assistant Examiner—Carissa C Fitts

(74) *Attorney, Agent, or Firm*—McHale & Slavin, P.A.

(57) **CLAIM**

The ornamental design for a distractor, as shown and described.

DESCRIPTION

FIG. 1 is a perspective view of the distractor of the instant invention;

FIG. 2 is a left side view thereof;

FIG. 3 is a top view thereof;

FIG. 4 is a rear view thereof;

FIG. 5 is a right side view thereof;

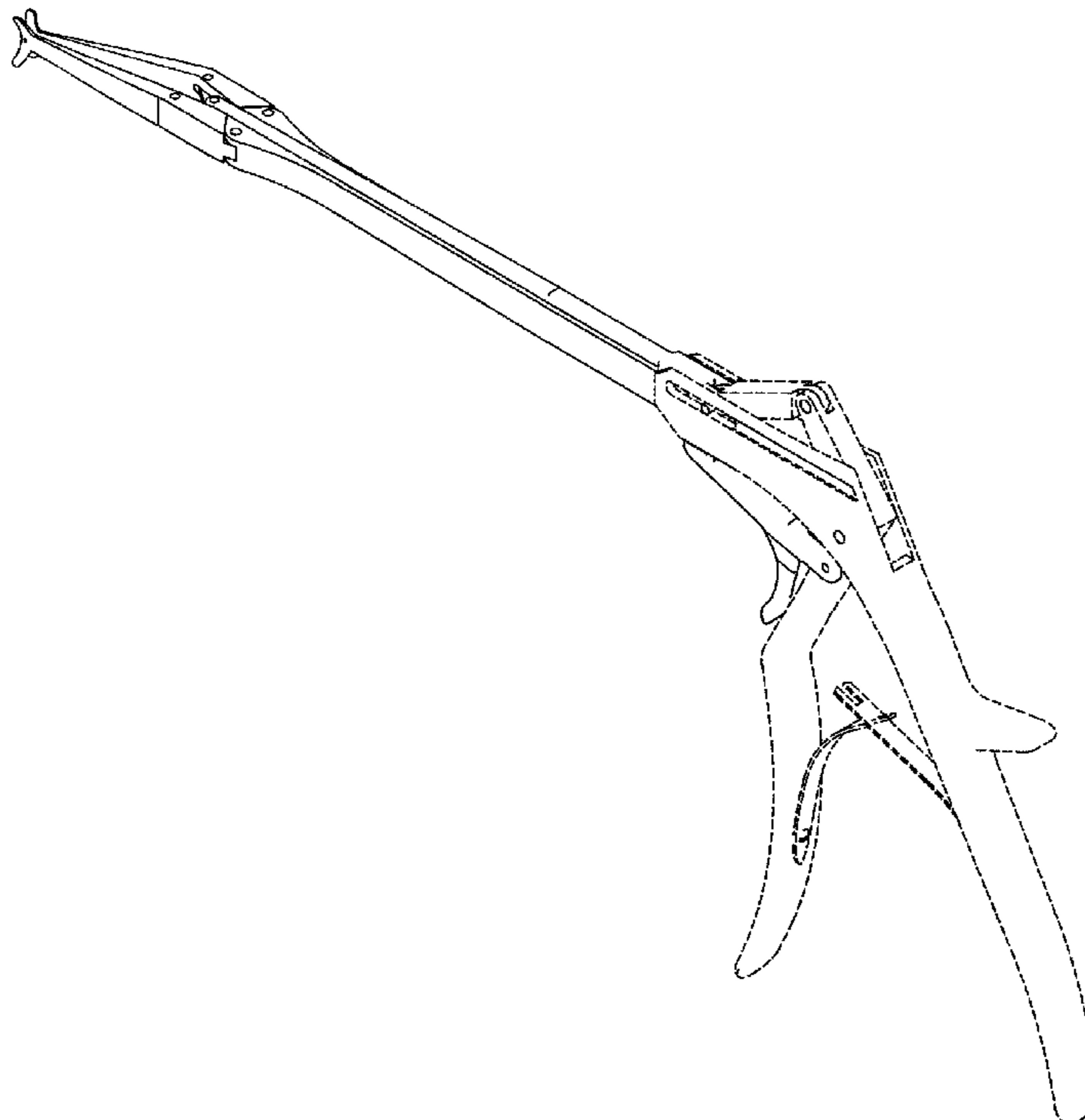
FIG. 6 is a front view thereof;

FIG. 7 is an enlarged top view of the end portion in an open position; and,

FIG. 8 is an enlarged top view of the end portion in a closed position.

The broken lines shown in the figures are included for the purpose of illustrating environment and form no part of the claimed design.

1 Claim, 5 Drawing Sheets



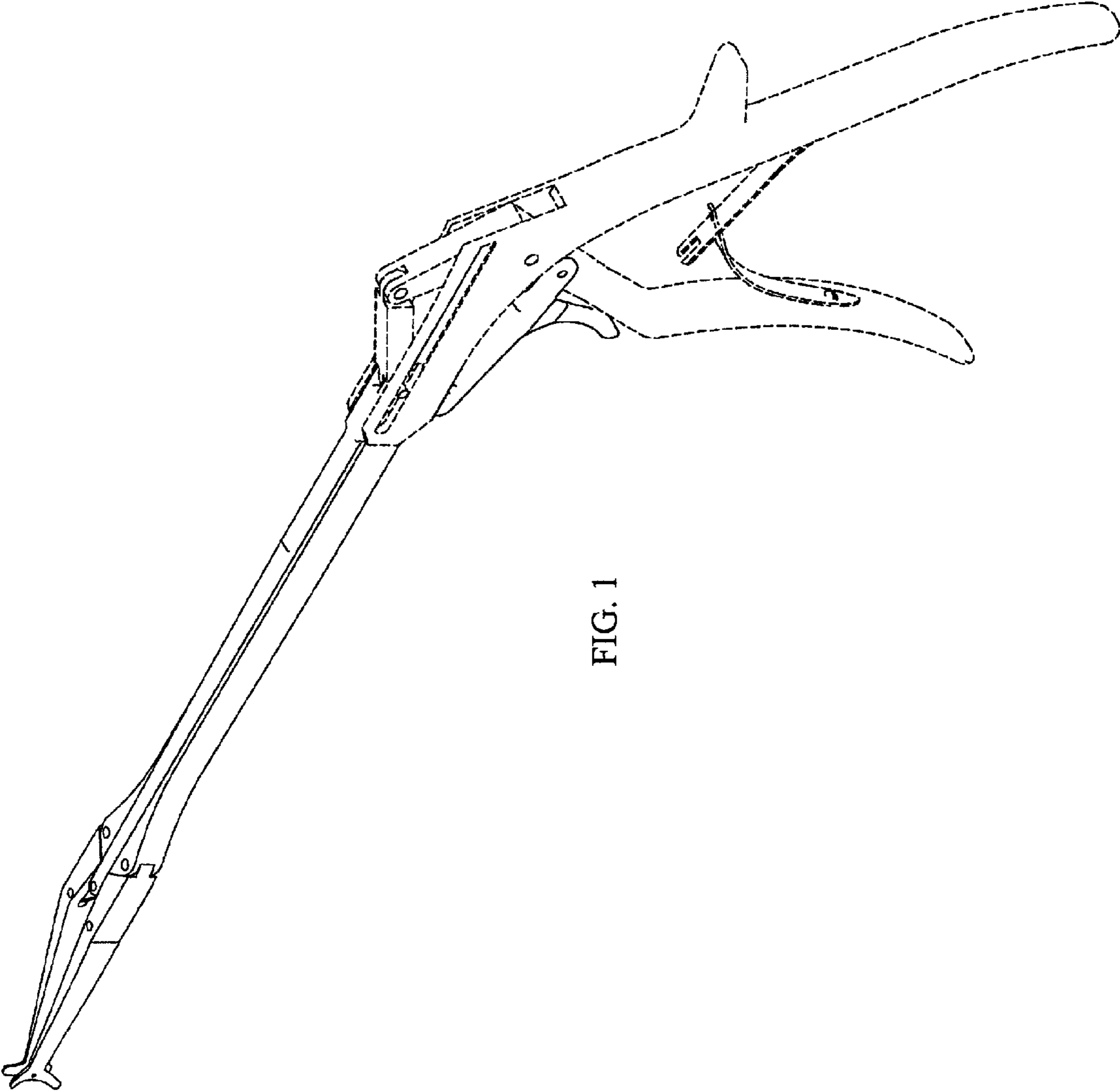


FIG. 1

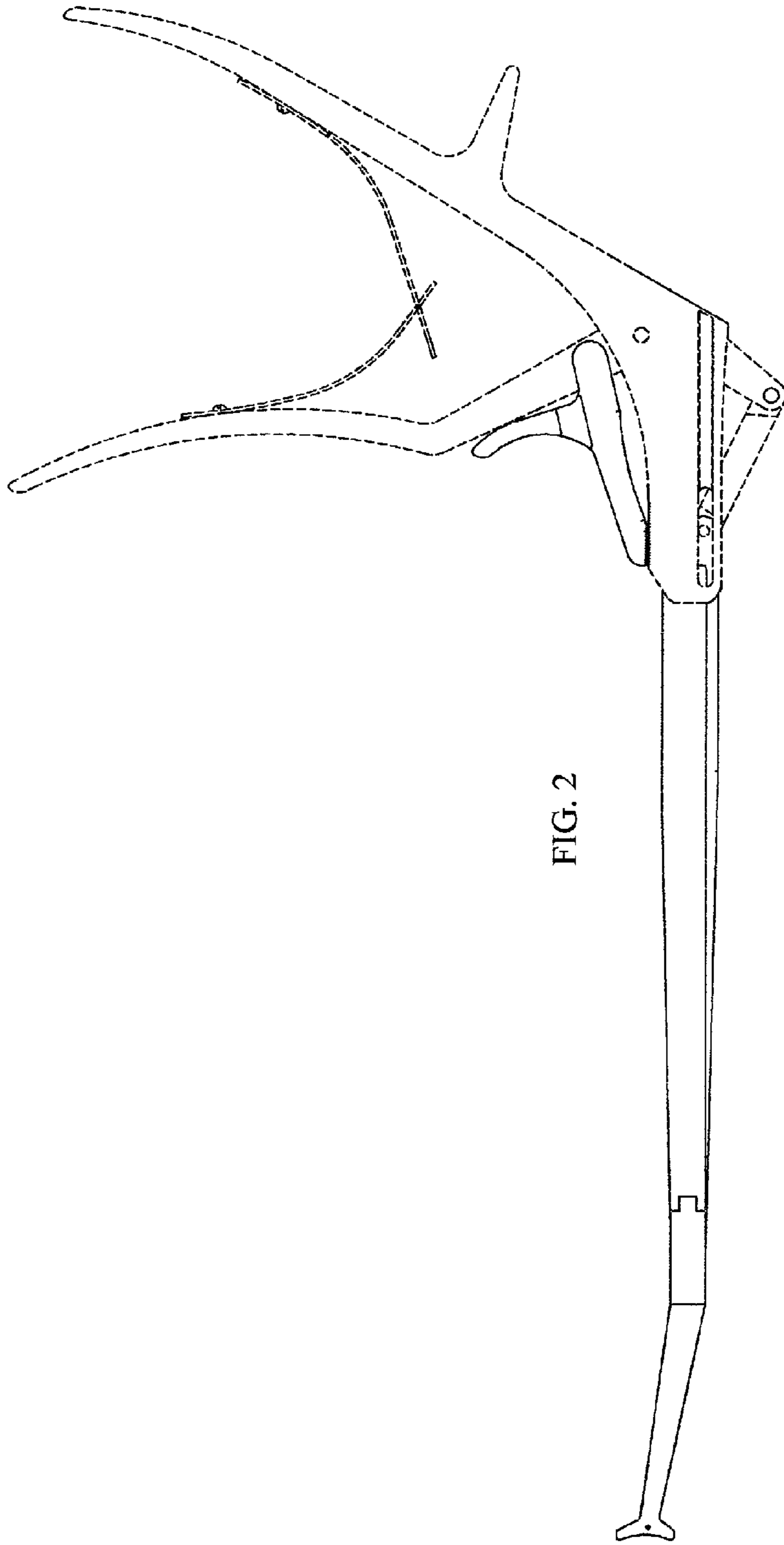


FIG. 2

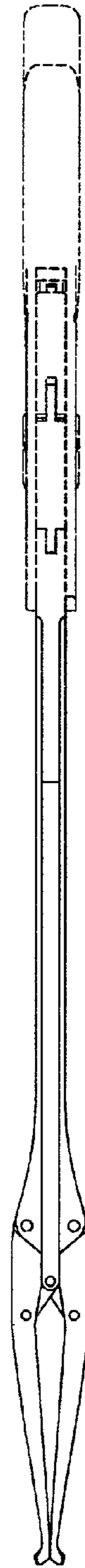


FIG. 3

FIG. 5

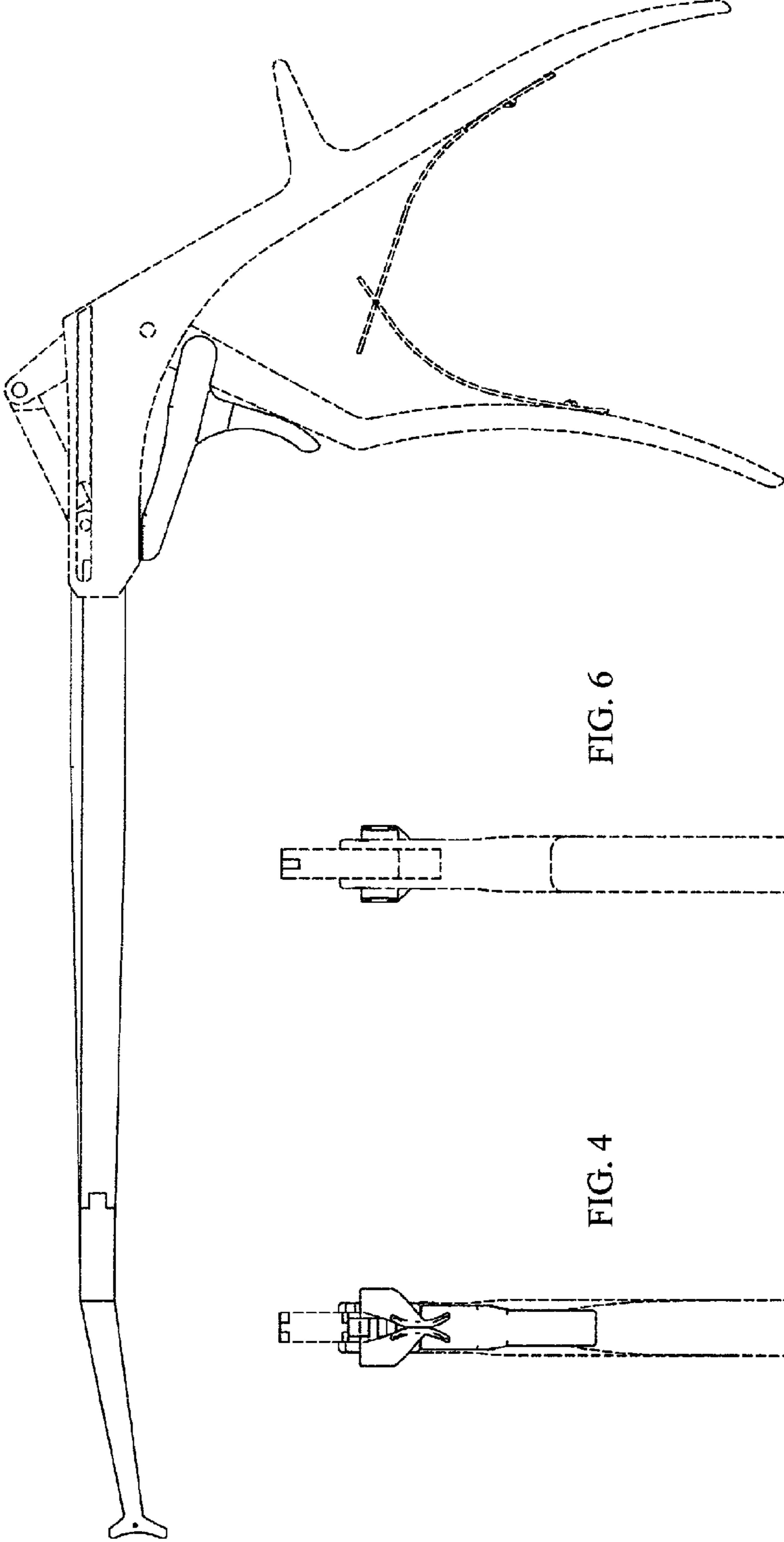


FIG. 6

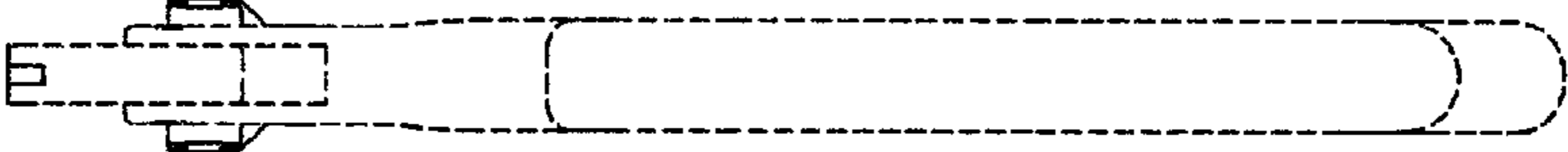
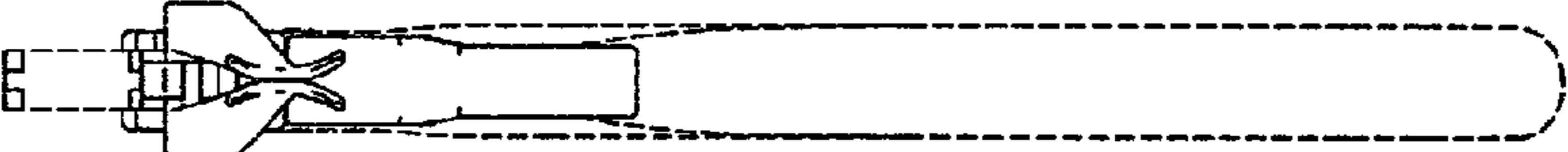


FIG. 4



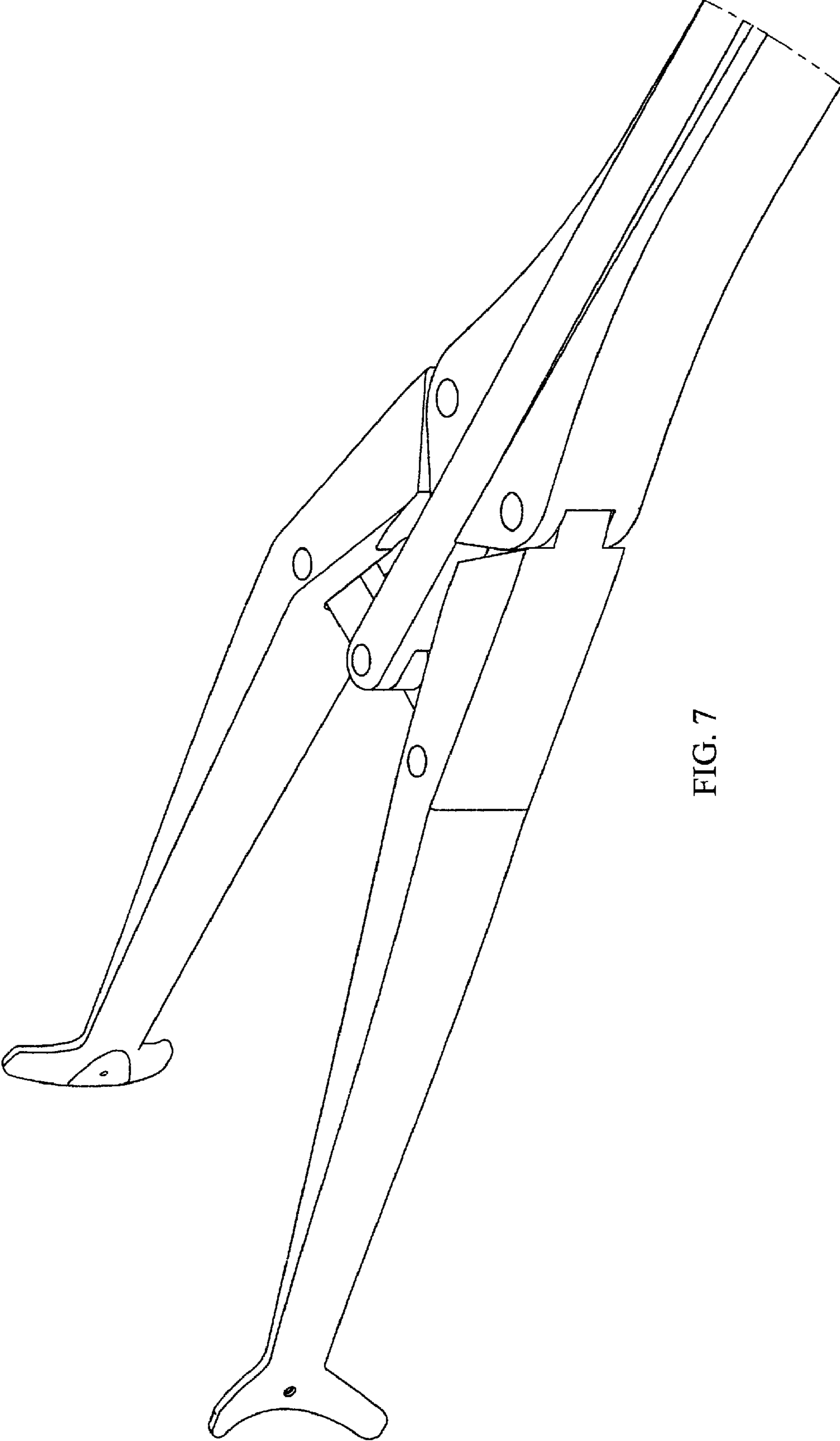


FIG. 7

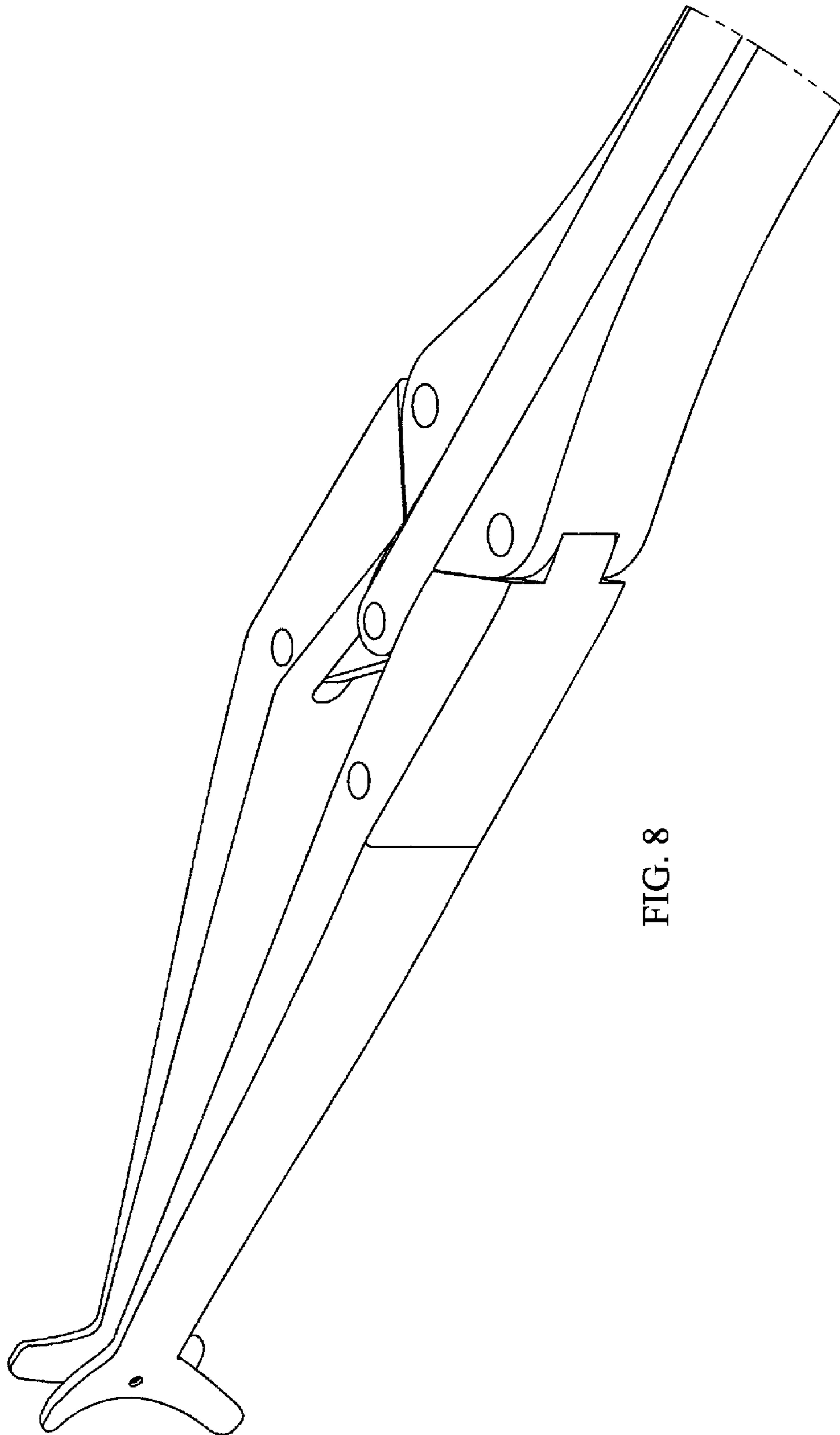


FIG. 8