



US00D626647S

(12) **United States Design Patent**
Amborn et al.

(10) **Patent No.:** **US D626,647 S**
(45) **Date of Patent:** **** Nov. 2, 2010**

(54) **INFUSION PUMP CASSETTE**

DESCRIPTION

(75) Inventors: **Chad Amborn**, Minneapolis, MN (US);
Chris Lacy, Arden Hills, MN (US);
Steven Cote, Stillwater, MN (US)

(73) Assignee: **Smiths Medical ASD, Inc.**, Rockland,
MA (US)

(**) Term: **14 Years**

(21) Appl. No.: **29/345,263**

(22) Filed: **Oct. 13, 2009**

(51) **LOC (9) Cl.** **24-02**

(52) **U.S. Cl.** **D24/111**

(58) **Field of Classification Search** D24/111,
D24/113; D15/7, 9; 128/DIG. 12, DIG. 13;
417/477.2, 477.6, 477.1, 479, 474, 360, 478;
604/19, 30, 34, 67, 118, 131, 151, 152, 153,
604/150, 258

See application file for complete search history.

(56) **References Cited**

U.S. PATENT DOCUMENTS

3,494,458 A	2/1970	Meierhoefer
4,381,836 A	5/1983	Rivkin et al.
4,451,693 A	5/1984	Vest
4,559,038 A	12/1985	Berg et al.

(Continued)

Primary Examiner—Freda S Nunn

Assistant Examiner—Wan Laymon

(74) *Attorney, Agent, or Firm*—Patterson Thuente
Christensen Pedersen, P.A.

(57) **CLAIM**

We claim the ornamental design for a infusion pump cassette,
as shown.

FIG. 1 is an exploded assembly view of a infusion pump cassette according to the invention.

FIG. 2 is a rear corner perspective view of the cover of a infusion pump cassette according to the invention, the cover being shown separately for clarity of illustration.

FIG. 3 is a front elevational view of the cover of a infusion pump cassette according to the invention.

FIG. 4 is a rear elevational view of the cover of a infusion pump cassette according to the invention.

FIG. 5 is a top plan view of the cover of a infusion pump cassette according to the invention.

FIG. 6 is a bottom plan view of the cover of a infusion pump cassette according to the invention.

FIG. 7 is a right side elevational view of the cover of a infusion pump cassette according to the invention.

FIG. 8 is a left side elevational view of the cover of a infusion pump cassette according to the invention.

FIG. 9 is a front corner perspective view of the rear housing of a infusion pump cassette according to the invention, the housing being shown separately for clarity of illustration.

FIG. 10 is a front elevational view of the rare housing of a infusion pump cassette according to the invention.

FIG. 11 is a rear elevational view of the rear housing of a infusion pump cassette according to the invention.

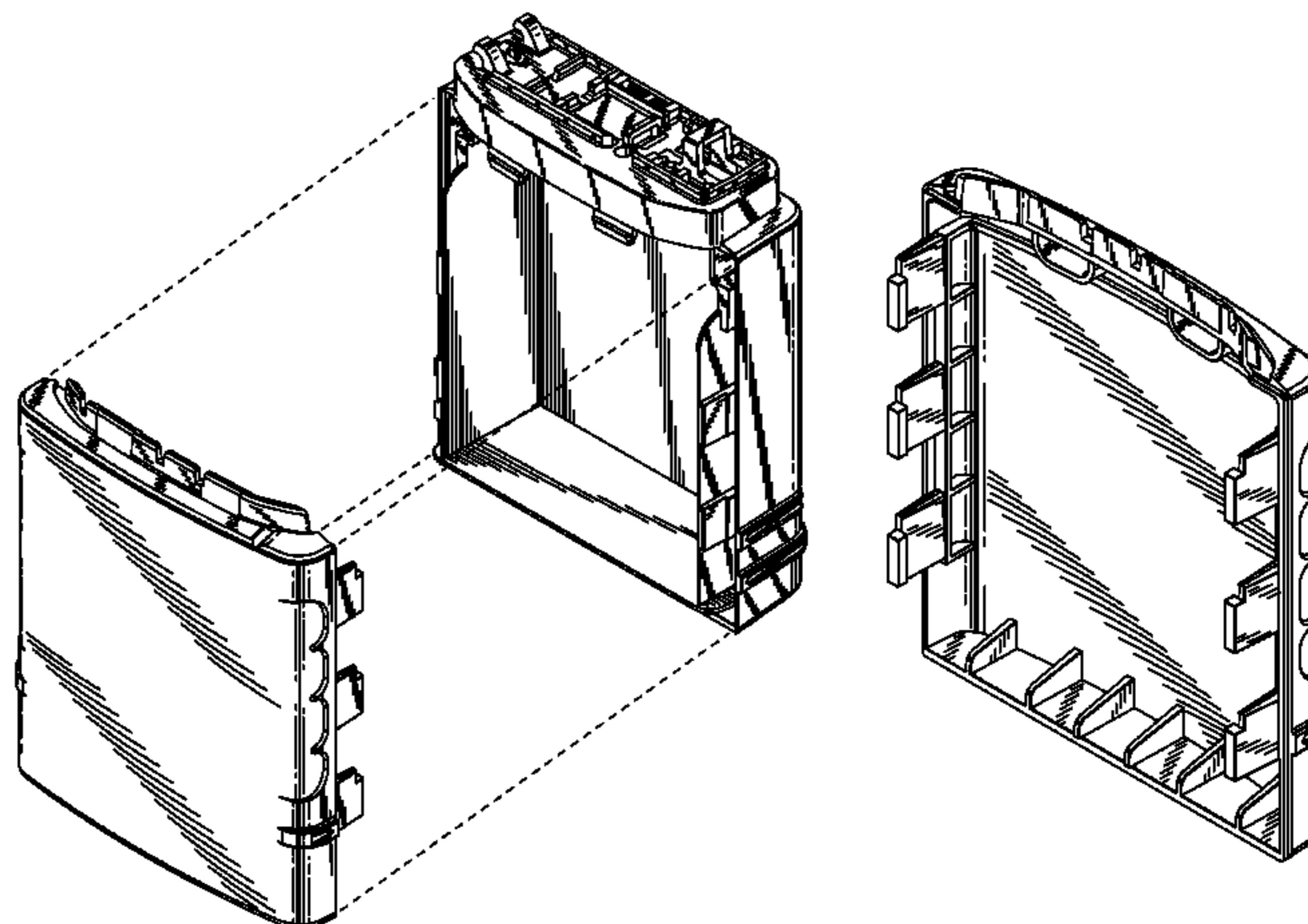
FIG. 12 is a top plan view of the rear housing of a infusion pump cassette according to the invention.

FIG. 13 is a bottom plan view of the rear housing of a infusion pump cassette according to the invention.

FIG. 14 is a right side elevational view of a infusion pump cassette according to the invention; and,

FIG. 15 is a left side elevational view of a infusion pump cassette according to the invention.

1 Claim, 9 Drawing Sheets



US D626,647 S

U.S. PATENT DOCUMENTS					
			5,782,805 A *	7/1998	Meinzer et al. 604/131
4,565,542 A	1/1986	Berg	5,788,671 A	8/1998	Johnson
4,567,983 A	2/1986	Morris	5,928,196 A	7/1999	Johnson et al.
4,634,004 A	1/1987	Mortensen	5,993,420 A	11/1999	Hyman et al.
4,802,601 A	2/1989	Pijanowski et al.	6,056,522 A	5/2000	Johnson
D309,662 S *	7/1990	Gorton D24/111	6,059,753 A	5/2000	Faust et al.
5,336,190 A	8/1994	Moss et al.	6,077,055 A *	6/2000	Vilks 417/478
D353,667 S *	12/1994	Tsubota et al. D24/111	6,131,773 A	10/2000	Wade et al.
5,370,622 A	12/1994	Livingston et al.	D447,558 S	9/2001	Cartledge et al.
5,397,222 A	3/1995	Moss et al.	6,742,992 B2	6/2004	Davis
5,429,485 A *	7/1995	Dodge 128/DIG. 12	7,150,735 B2	12/2006	Hickle
5,482,446 A *	1/1996	Williamson et al. 417/474	7,258,534 B2 *	8/2007	Fathallah et al. 417/477.2
D376,848 S *	12/1996	Zeilig et al. D24/111	2008/0275425 A1 *	11/2008	Strickler et al. 604/131
5,755,691 A *	5/1998	Hilborne 604/151	2010/0094224 A1 *	4/2010	Fathallah et al. 604/151

* cited by examiner

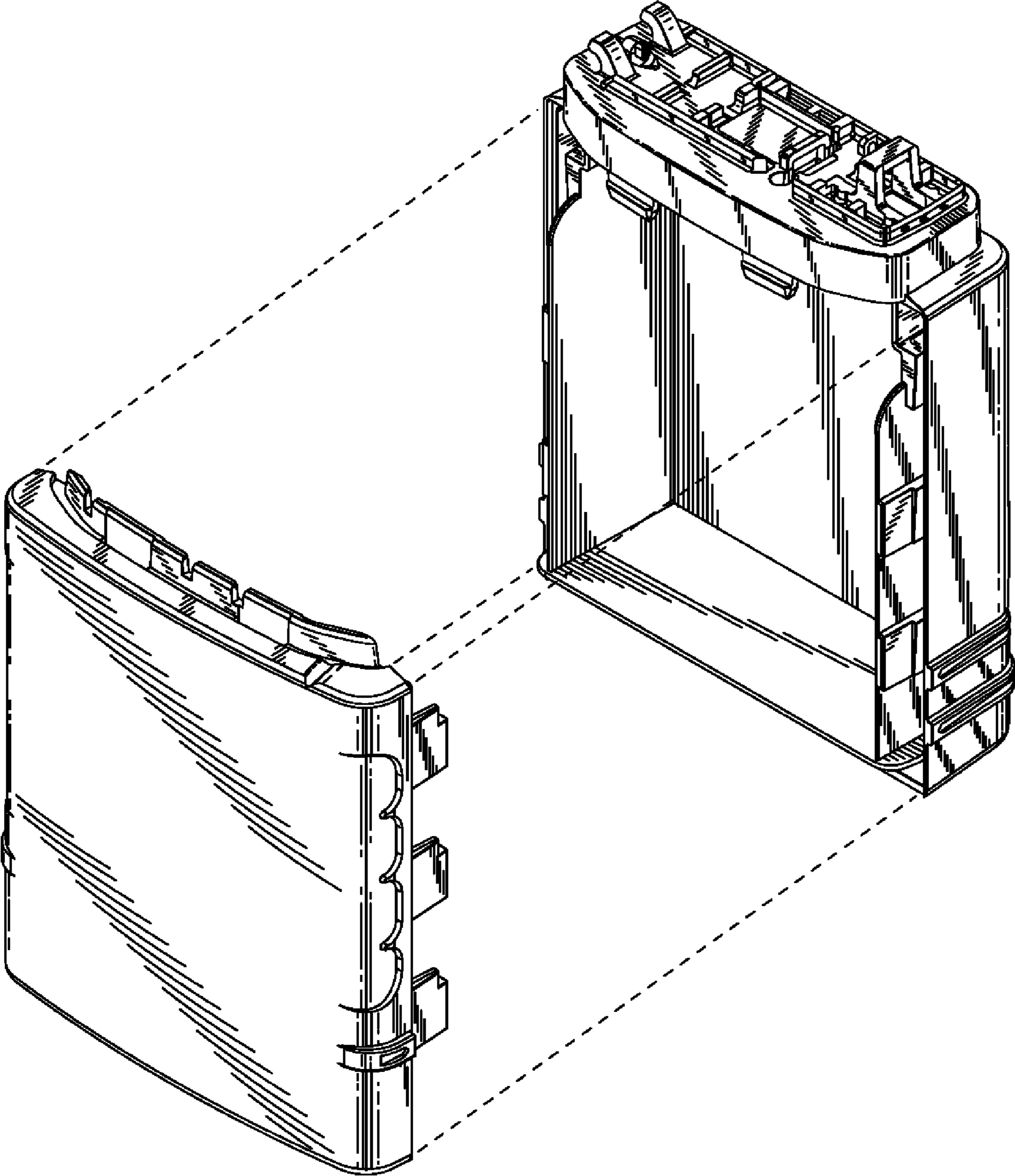


Fig. 1

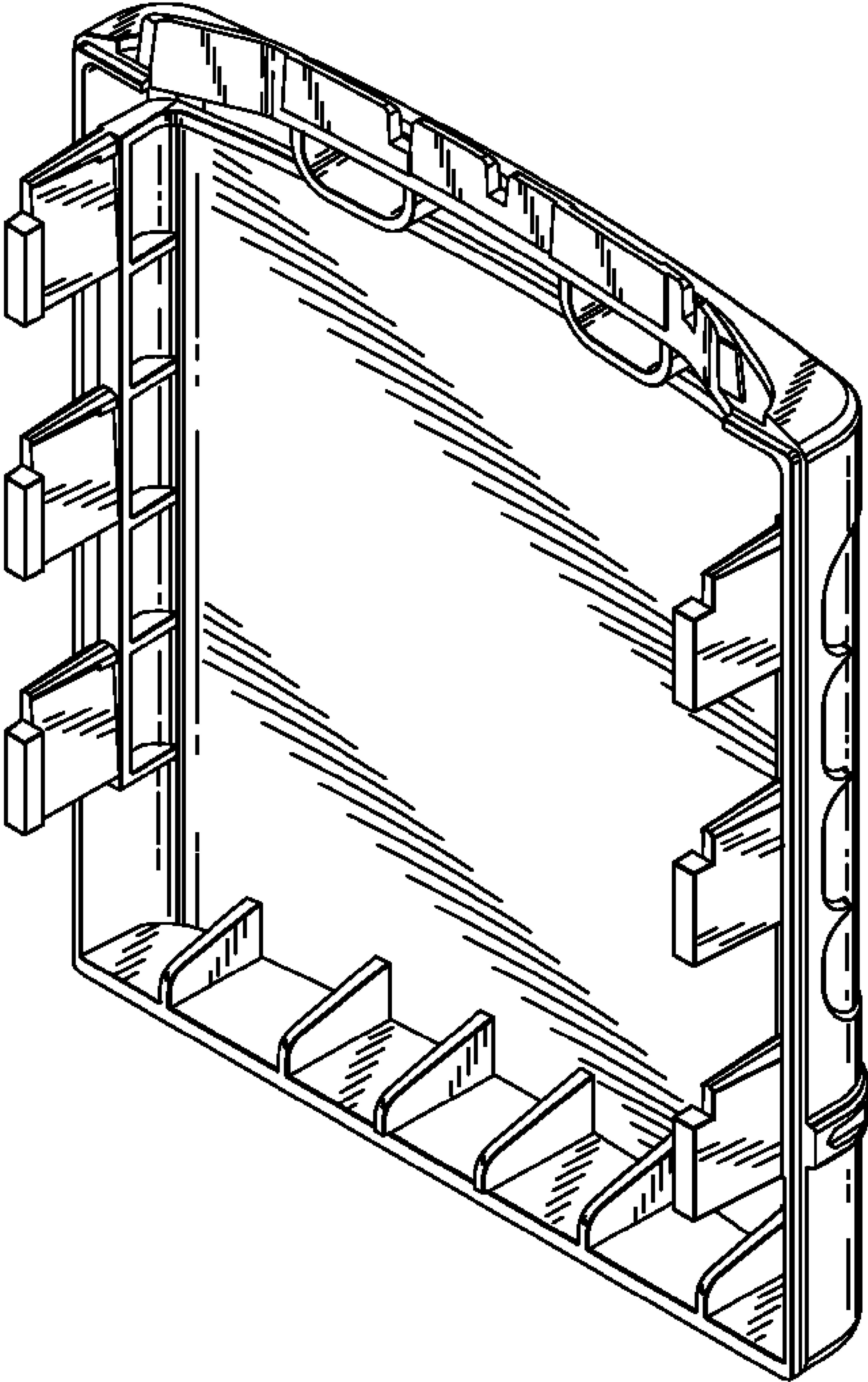


Fig. 2

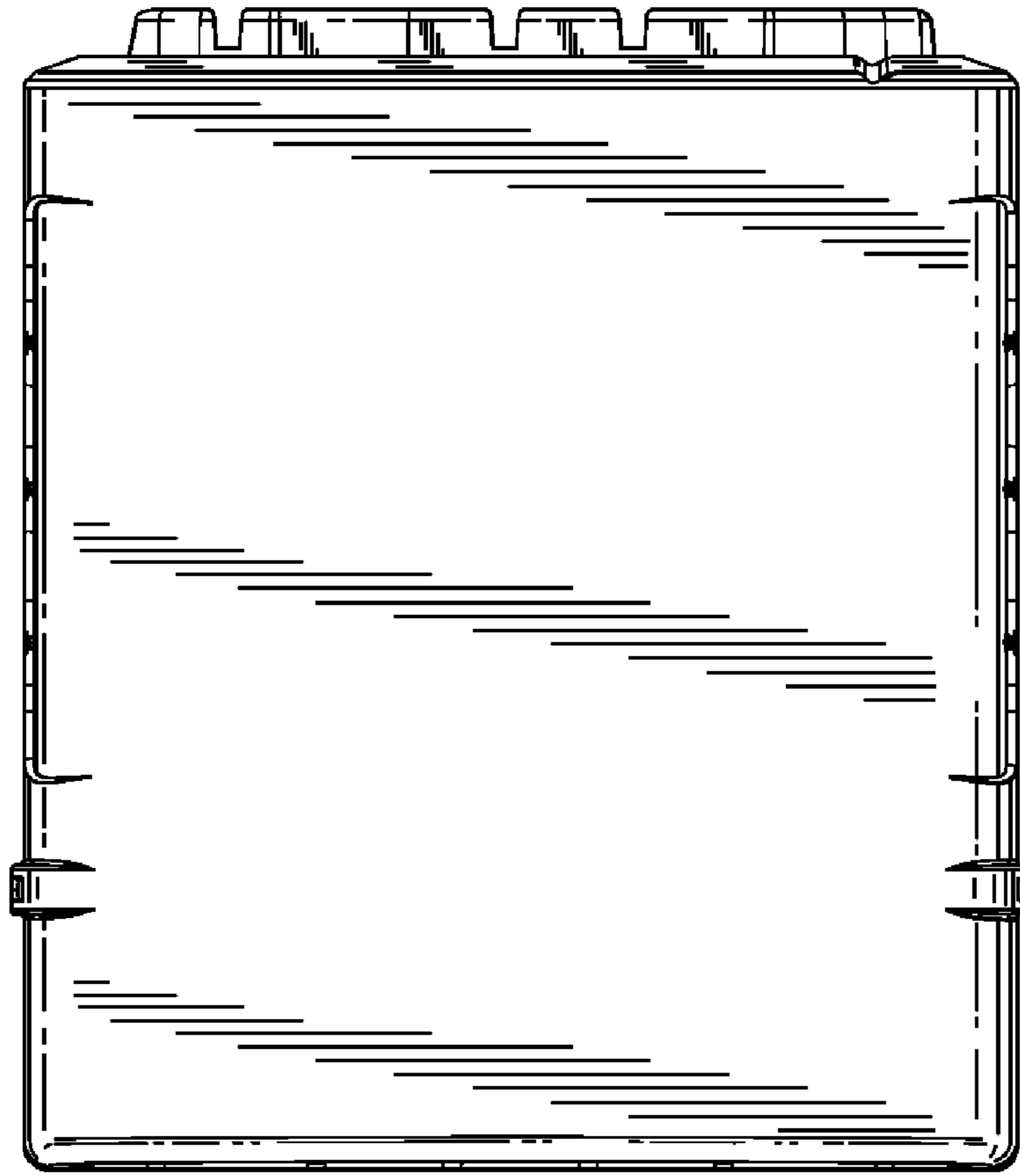


Fig. 3

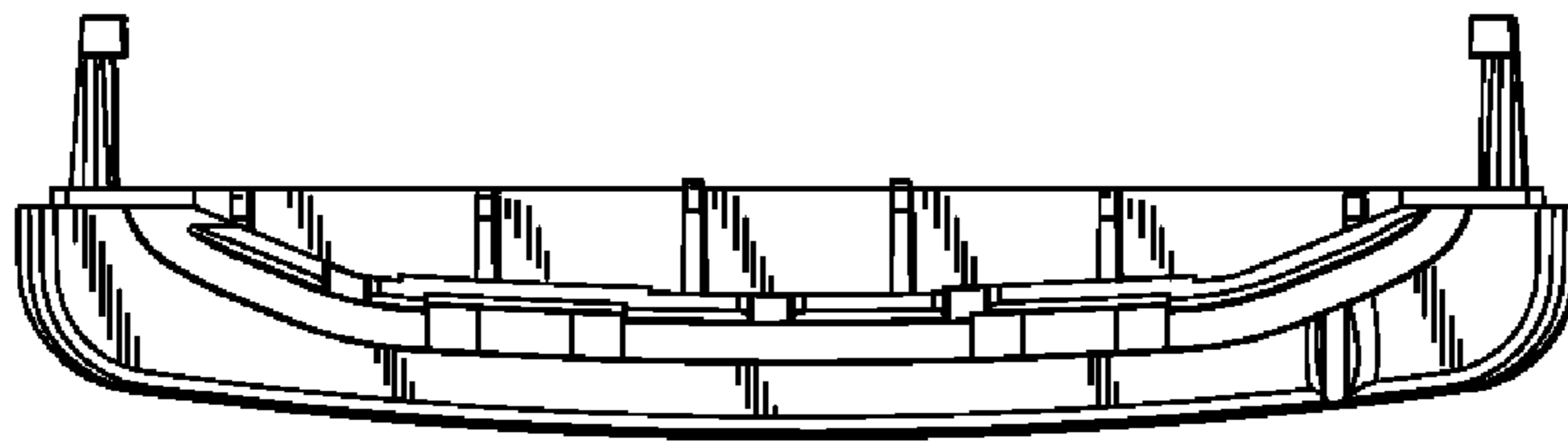


Fig. 5

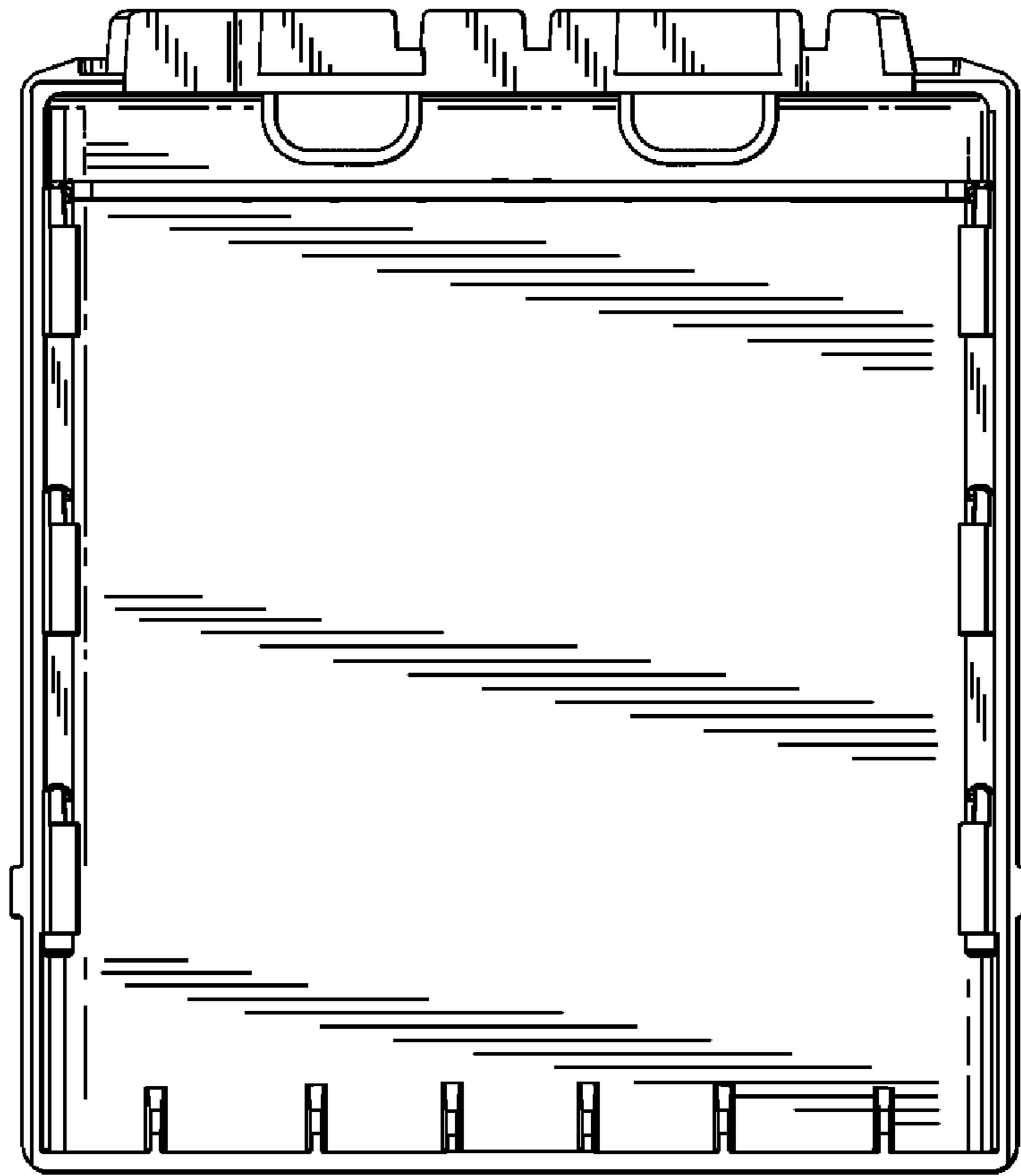


Fig. 4

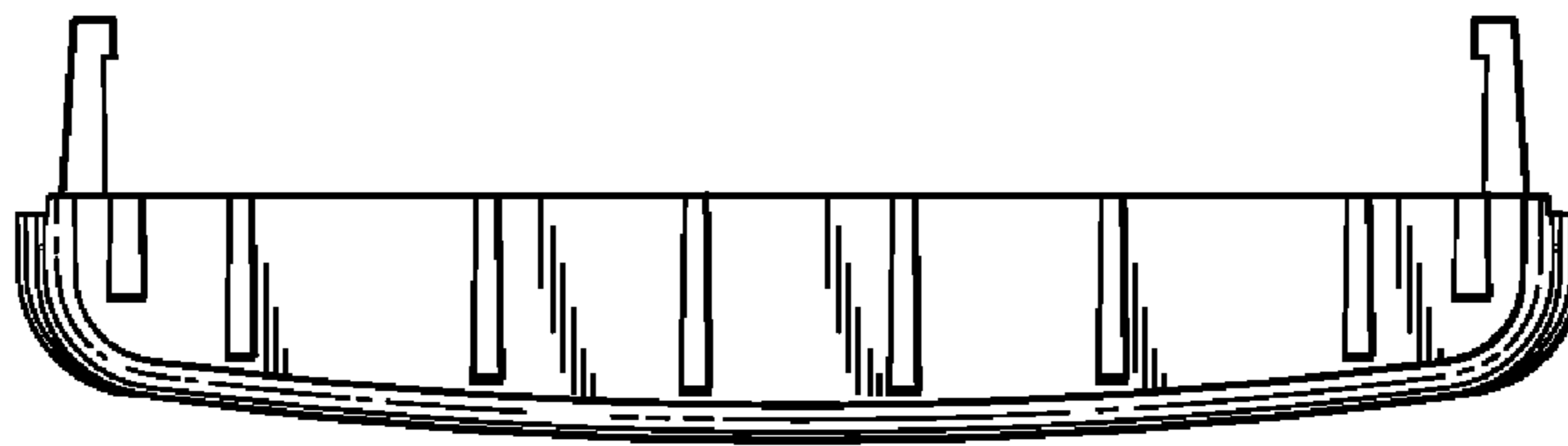


Fig. 6

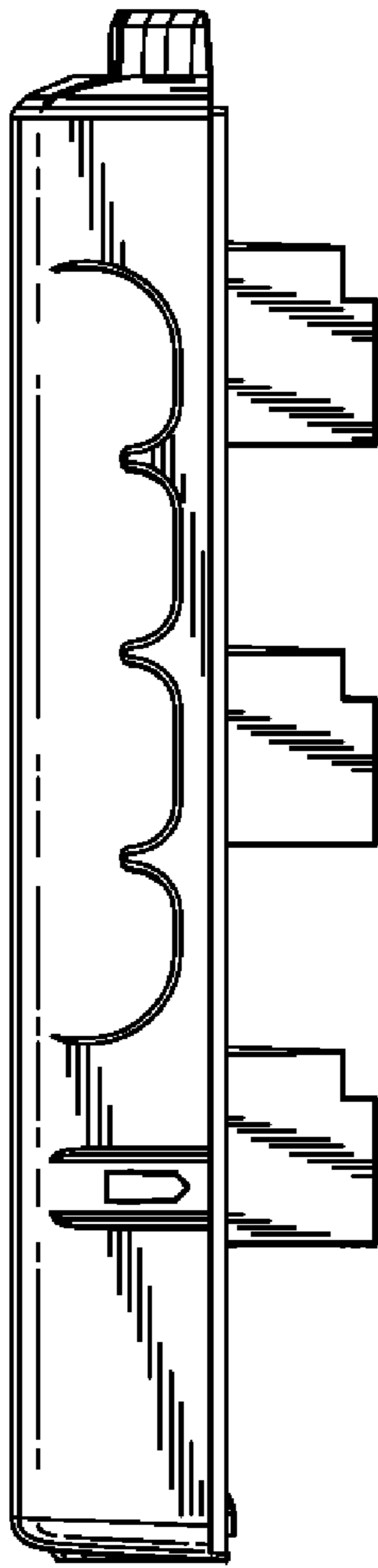


Fig. 7

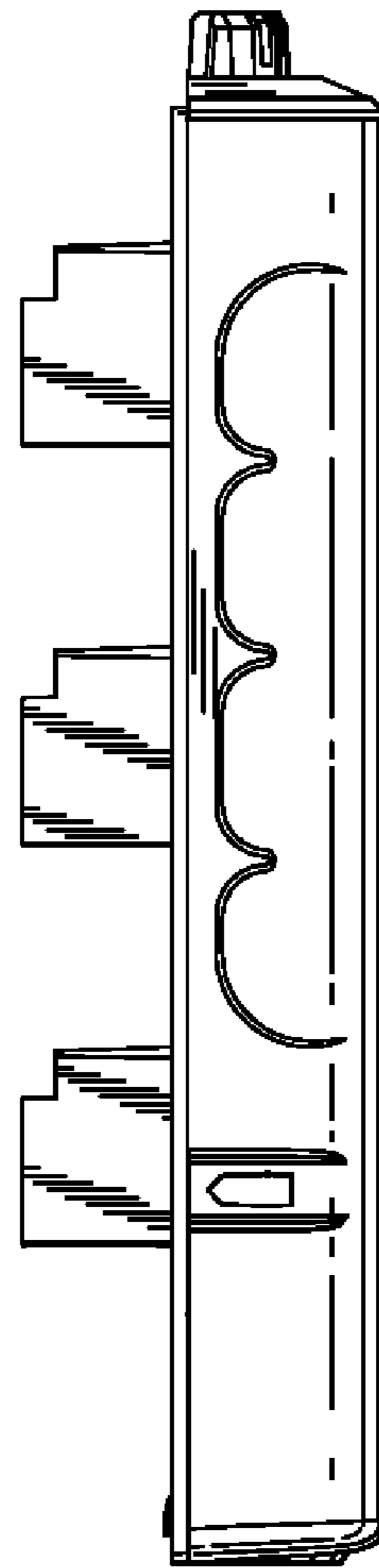


Fig. 8

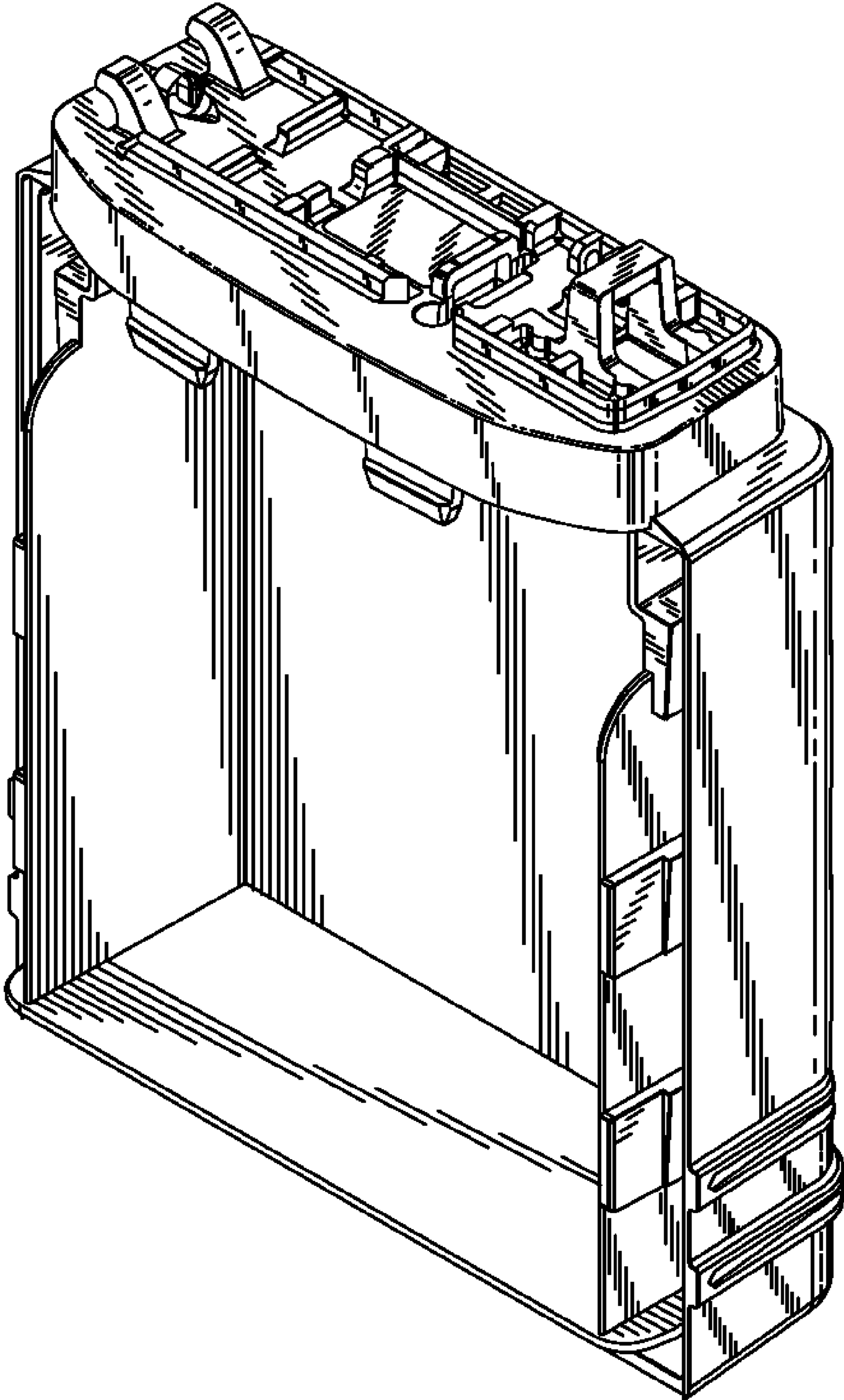


Fig. 9

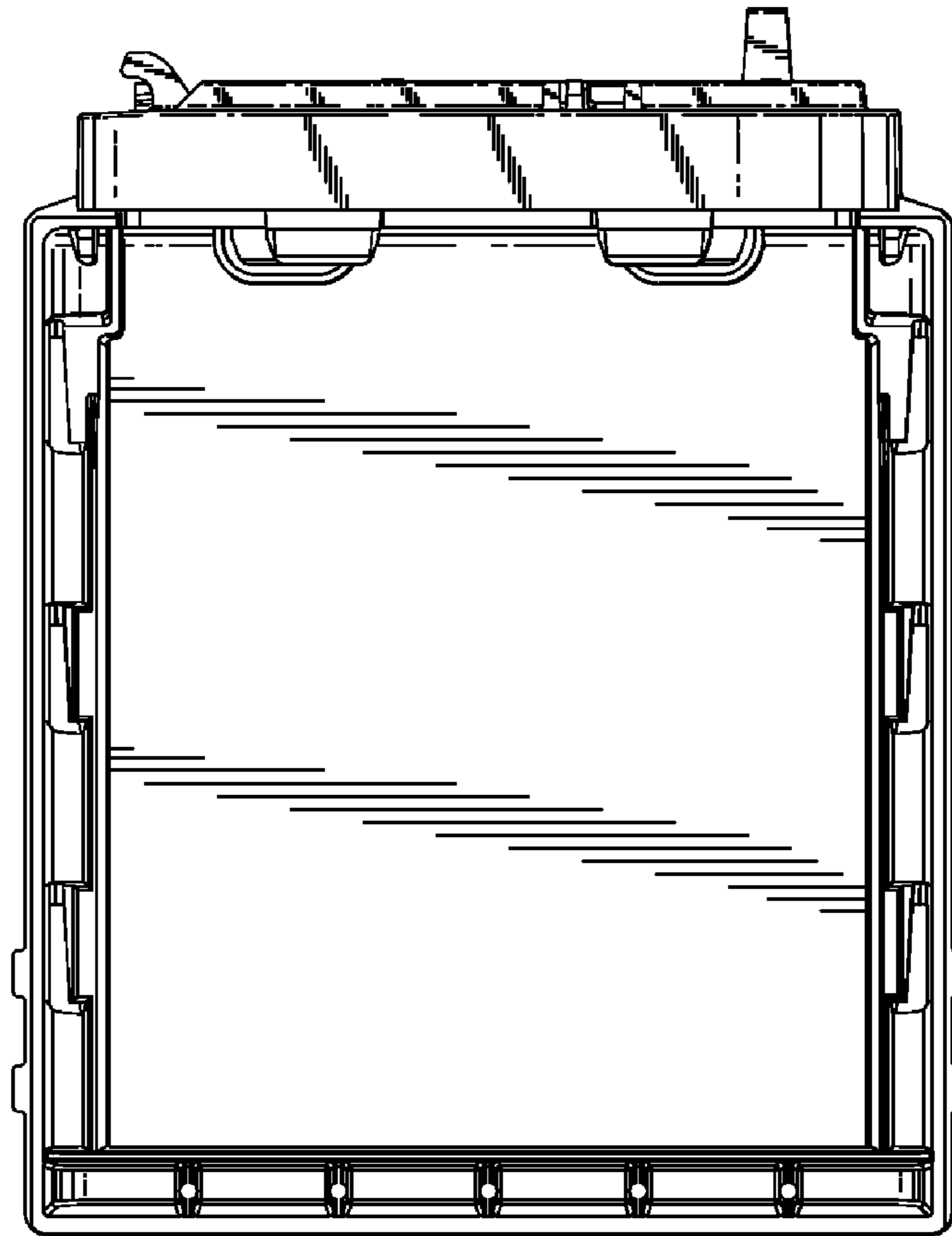


Fig. 10

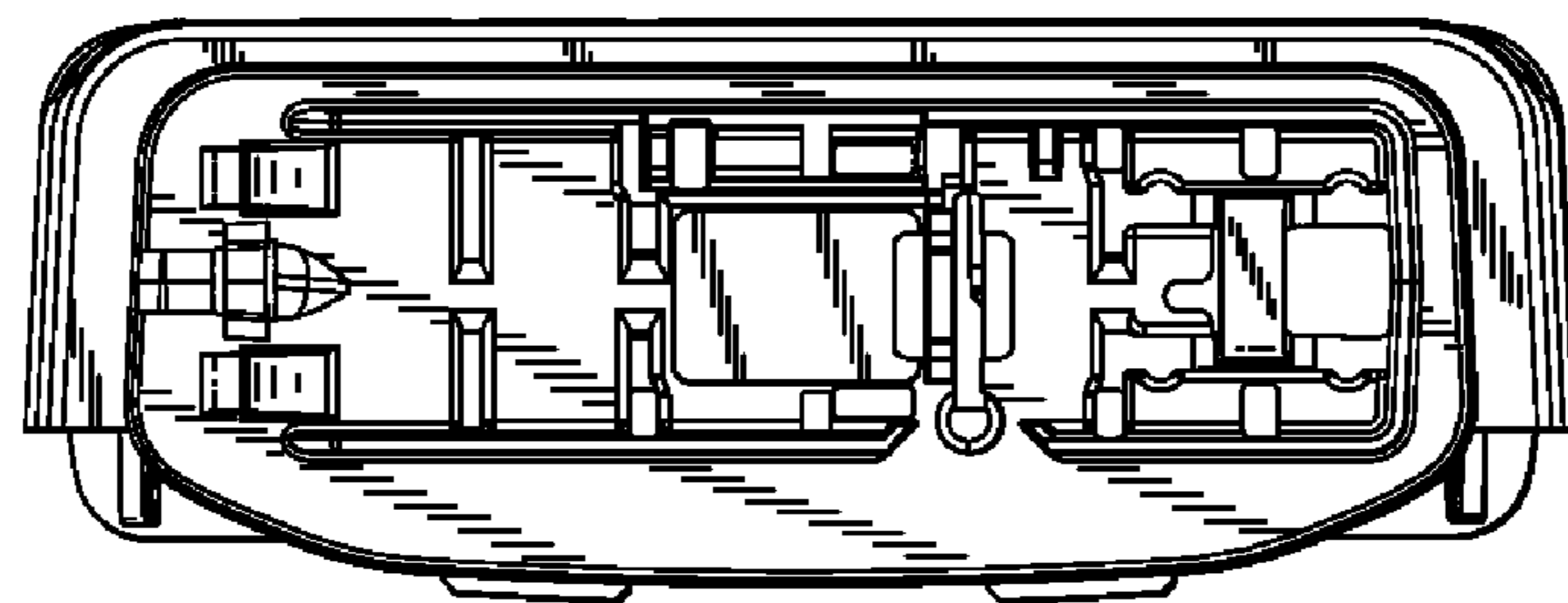


Fig. 12

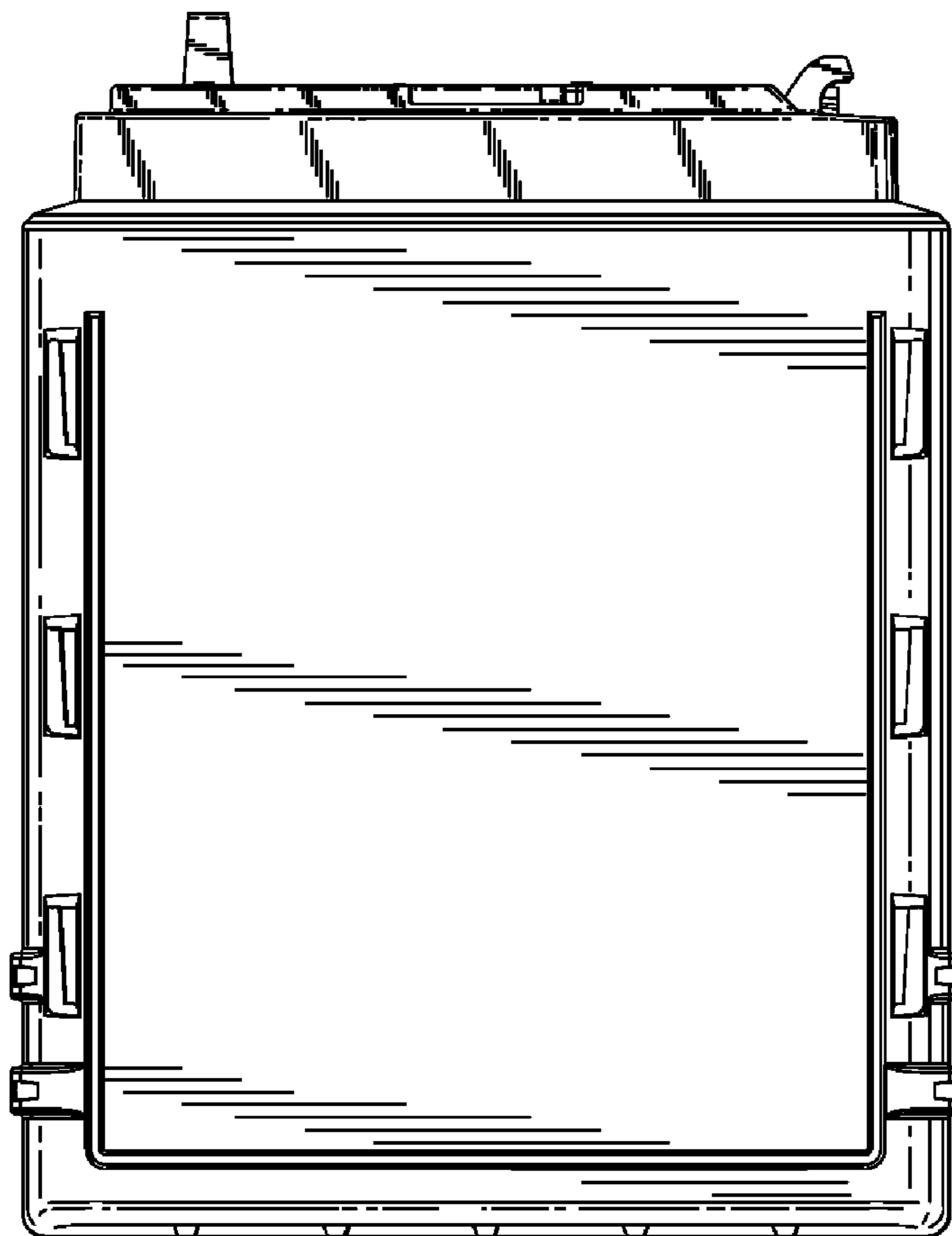


Fig. 11

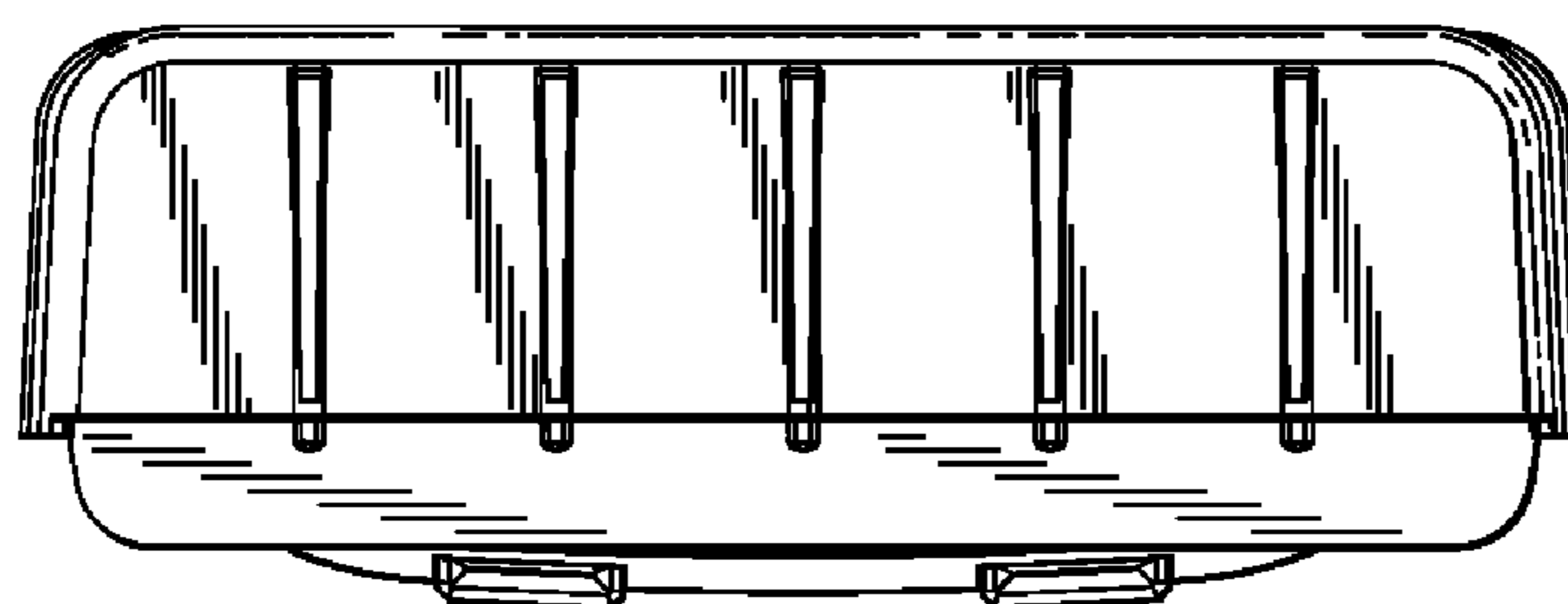


Fig. 13

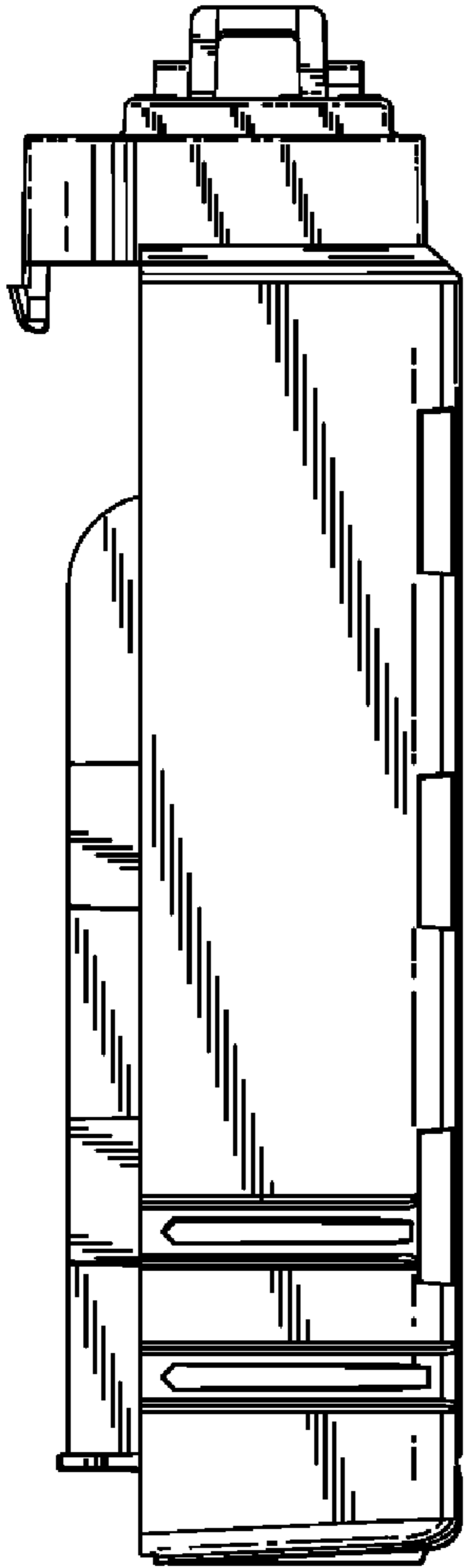


Fig. 14

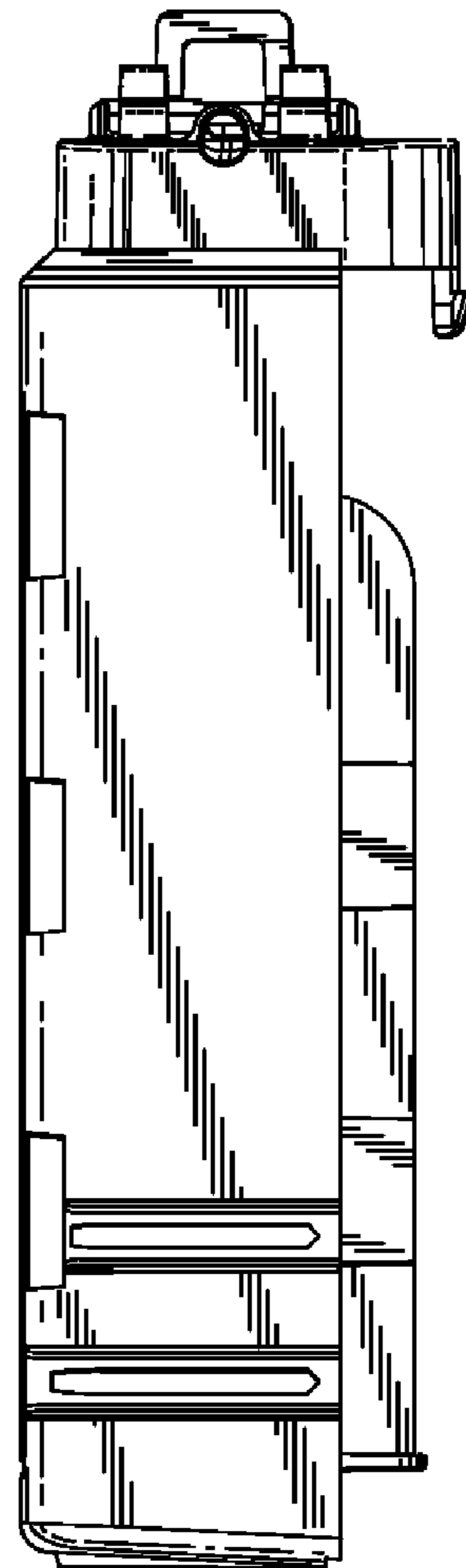


Fig. 15