



US00D626646S

(12) **United States Design Patent**
Lubke et al.

(10) **Patent No.:** **US D626,646 S**

(45) **Date of Patent:** **** Nov. 2, 2010**

(54) **CUSHION FOR PATIENT INTERFACE**

(75) Inventors: **Steven John Lubke**, Stanmore (AU);
Gregory Scott Smart, Randwick (AU);
Rupert Christian Scheiner, Davidson
(AU); **Alison Oldenburg**, Crows Nest
(AU); **James William Vandyke**, Belrose
(AU); **Christopher Scott Skipper**,
North Ryde (AU); **Michael John Reid**,
Stanmore (AU); **Timothy Shaun Nelson**,
Marrickville (AU)

(73) Assignee: **ResMed Limited**, Bella Vista (AU)

(**) Term: **14 Years**

(21) Appl. No.: **29/277,364**

(22) Filed: **Feb. 22, 2007**

Related U.S. Application Data

(62) Division of application No. 29/258,792, filed on Apr. 28, 2006.

(51) **LOC (9) Cl.** **29-02**

(52) **U.S. Cl.** **D24/110.1; D24/110.5**

(58) **Field of Classification Search** .. D24/110.1-110.5;
128/207.18, 207.13, 206.21, 206.11, 206.12,
128/200.24, 205.25, 204.23
See application file for complete search history.

(56) **References Cited**

U.S. PATENT DOCUMENTS

1,125,542 A 1/1915 Humphries

(Continued)

FOREIGN PATENT DOCUMENTS

DE 146688 2/1981

(Continued)

OTHER PUBLICATIONS

Respironics Co.—Mask Family—<http://maskfamily.respironics.com/> viewed on Jul. 24, 2006.

(Continued)

Primary Examiner—Ian Simmons

Assistant Examiner—Christopher Lee

(74) *Attorney, Agent, or Firm*—Nixon & Vanderhye P.C.

(57) **CLAIM**

The ornamental design for a cushion for patient interface, as shown and described.

DESCRIPTION

FIG. 1 is a front perspective view of a cushion for a patient interface according to a first embodiment of our design;

FIG. 2 is a reverse perspective view thereof;

FIG. 3 is a front view thereof;

FIG. 4 is a rear view thereof;

FIG. 5 is a top view thereof;

FIG. 6 is a bottom view thereof;

FIG. 7 is a left side view thereof;

FIG. 8 is a right side view thereof;

FIG. 9 is a front perspective view of a cushion for a patient interface according to a second embodiment of our design;

FIG. 10 is a reverse perspective view thereof;

FIG. 11 is a front view thereof;

FIG. 12 is a rear view thereof;

FIG. 13 is a top view thereof;

FIG. 14 is a bottom view thereof;

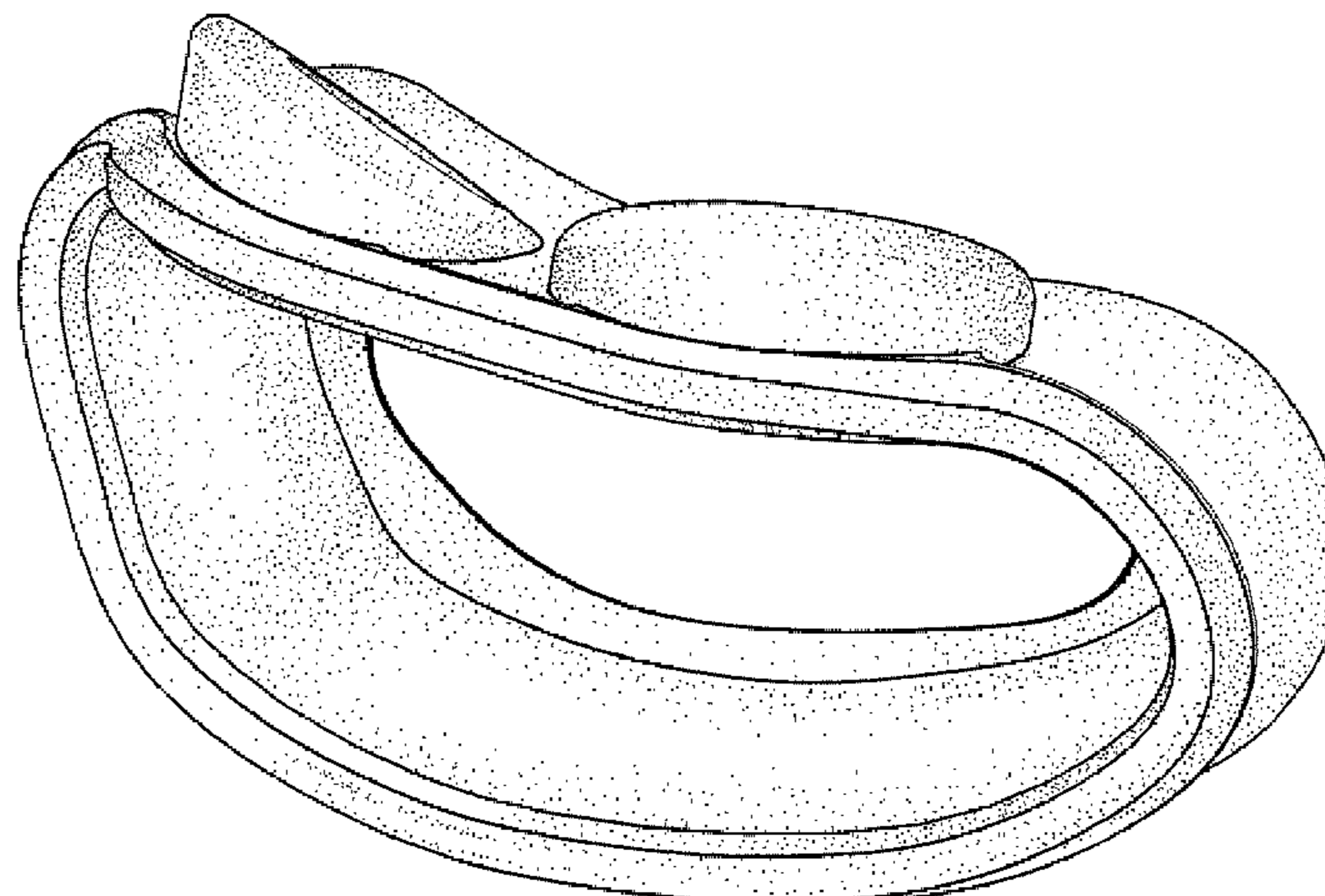
FIG. 15 is a left side view thereof; and,

FIG. 16 is a right side view thereof.

Where included, the use of stippling is provided to show contrast in materials to differentiate between different areas of the design.

FIGS. 1–16 use stippling which is not part of the claimed design.

1 Claim, 8 Drawing Sheets



U.S. PATENT DOCUMENTS

3,670,726 A 6/1972 Mahon et al.
 3,739,774 A 6/1973 Gregory
 3,754,552 A 8/1973 King
 3,861,385 A 1/1975 Carden
 3,902,486 A 9/1975 Guichard
 3,905,361 A 9/1975 Hewson et al.
 4,156,426 A 5/1979 Gold
 4,267,845 A 5/1981 Robertson, Jr. et al.
 4,273,124 A 6/1981 Zimmerman
 4,312,359 A 1/1982 Olson
 4,367,735 A 1/1983 Dali
 4,367,816 A 1/1983 Wilkes
 4,406,283 A 9/1983 Bir
 4,422,456 A 12/1983 Teip
 4,493,614 A 1/1985 Chu et al.
 4,549,542 A 10/1985 Chien
 4,587,967 A 5/1986 Chu et al.
 4,601,465 A 7/1986 Roy
 4,617,637 A 10/1986 Chu et al.
 4,660,555 A 4/1987 Payton
 4,699,139 A 10/1987 Marshall et al.
 4,706,664 A 11/1987 Snook et al.
 4,753,233 A 6/1988 Grimes
 4,774,946 A 10/1988 Ackerman et al.
 4,782,832 A * 11/1988 Trimble et al. 128/207.18
 4,899,740 A 2/1990 Napolitano
 4,915,105 A 4/1990 Lee
 4,996,983 A 3/1991 Amrhein
 5,000,173 A 3/1991 Zalkin et al.
 5,022,900 A 6/1991 Bar-Yona et al.
 5,025,805 A 6/1991 Nutter
 5,038,772 A 8/1991 Kolbe et al.
 5,046,491 A 9/1991 Derrick
 5,074,297 A 12/1991 Venegas
 5,113,857 A 5/1992 Dickerman et al.
 5,121,745 A 6/1992 Israel
 5,127,397 A 7/1992 Kohnke
 5,137,017 A 8/1992 Salter
 D333,015 S 2/1993 Farmer et al.
 5,188,101 A 2/1993 Tumolo
 5,265,592 A 11/1993 Beaussant
 5,265,595 A 11/1993 Rudolph
 5,269,296 A 12/1993 Landis
 5,271,391 A 12/1993 Graves
 5,299,599 A 4/1994 Farmer et al.
 5,335,656 A 8/1994 Bowe et al.
 5,355,893 A 10/1994 Mick et al.
 5,372,130 A 12/1994 Stem et al.
 5,375,593 A 12/1994 Press
 5,385,141 A 1/1995 Granatiero
 5,394,568 A 3/1995 Brostrom et al.
 5,396,885 A 3/1995 Nelson
 5,398,676 A 3/1995 Press et al.
 5,400,776 A 3/1995 Bartholomew
 5,425,359 A 6/1995 Liou
 5,437,267 A 8/1995 Weinstein et al.
 5,509,409 A 4/1996 Weatherholt

5,526,806 A 6/1996 Sansoni
 5,533,506 A 7/1996 Wood
 5,560,354 A 10/1996 Berthon-Jones et al.
 5,682,881 A 11/1997 Winthrop et al.
 5,740,799 A 4/1998 Nielson
 5,794,619 A 8/1998 Edeiman et al.
 5,906,203 A 5/1999 Klockseth et al.
 5,954,049 A 9/1999 Foley et al.
 6,123,071 A 9/2000 Berthon-Jones et al.
 6,357,441 B1 3/2002 Kwok et al.
 6,431,172 B1 8/2002 Bordewick
 6,439,234 B1 8/2002 Curti et al.
 6,478,026 B1 11/2002 Wood
 6,561,188 B1 5/2003 Ellis
 6,561,193 B1 5/2003 Noble
 6,571,798 B1 6/2003 Thornton
 6,581,602 B2 6/2003 Kwok et al.
 6,595,214 B1 7/2003 Hecker et al.
 6,595,215 B2 7/2003 Wood
 6,637,434 B2 10/2003 Noble
 6,655,385 B1 12/2003 Curti et al.
 6,679,265 B2 1/2004 Strickland et al.
 6,766,800 B2 7/2004 Chu et al.
 D588,258 S * 3/2009 Judson et al. D24/110.1
 2002/0046755 A1 4/2002 DeVoss
 2002/0124849 A1 9/2002 Billette De Villemeur
 2003/0079749 A1 5/2003 Strickland et al.
 2003/0196658 A1 10/2003 Ging et al.
 2004/0112384 A1 6/2004 Lithgow et al.
 2005/0028822 A1 2/2005 Sleeper et al.
 2005/0033247 A1 2/2005 Thompson
 2005/0051176 A1 3/2005 Riggins
 2005/0061326 A1 3/2005 Payne, Jr.
 2006/0124131 A1 6/2006 Chandran et al.

FOREIGN PATENT DOCUMENTS

DE 37 19 009 12/1988
 DE 199 44 242 3/2001
 EP 0 658 356 6/1995
 GB 532214 1/1941
 GB 2 368 533 5/2002
 WO WO 01/97892 12/2001
 WO WO 2005/063328 7/2005

OTHER PUBLICATIONS

ResMed Co.—Mask Products—<http://resmed.com/portal/site/ResMedUS/index.jsp?...> viewed on Jul. 24, 2006.
 Fisher and Paykel Co.—Product Family—<http://www.fphcare.com/osa/products.asp/> viewed on Jul. 24, 2006.
 Hans Rudolph, Inc.—Mask Products—<http://www.rudolphkc.com/products.php?category=Masks> viewed on Jul. 24, 2006.
 Snapp Nasal Interface, Tiara Medical Systems, Inc.—http://www.tiaramed.com/asp_shops/shopdisplayproducts.asp?id=109&cat=SNAPP%2A+Nasal+Interface viewed on Jul. 24, 2006.
 U.S. Appl. No. 60/634,802, filed Dec. 10, 2004.
 U.S. Appl. No. 60/645,672, filed Jan 21, 2005.
 U.S. Appl. No. 29/258,792, filed Apr. 28, 2006.

* cited by examiner

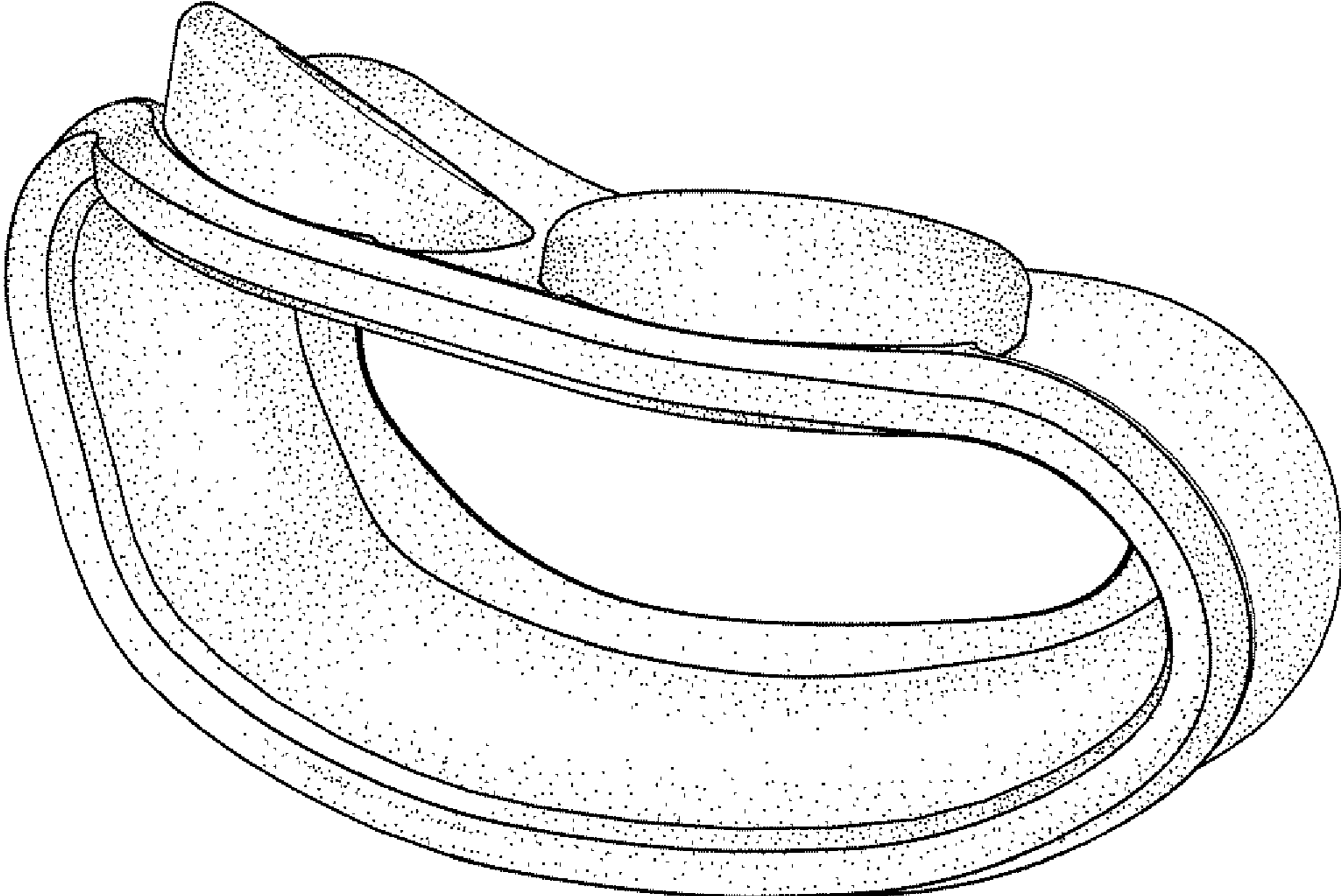


Fig. 1

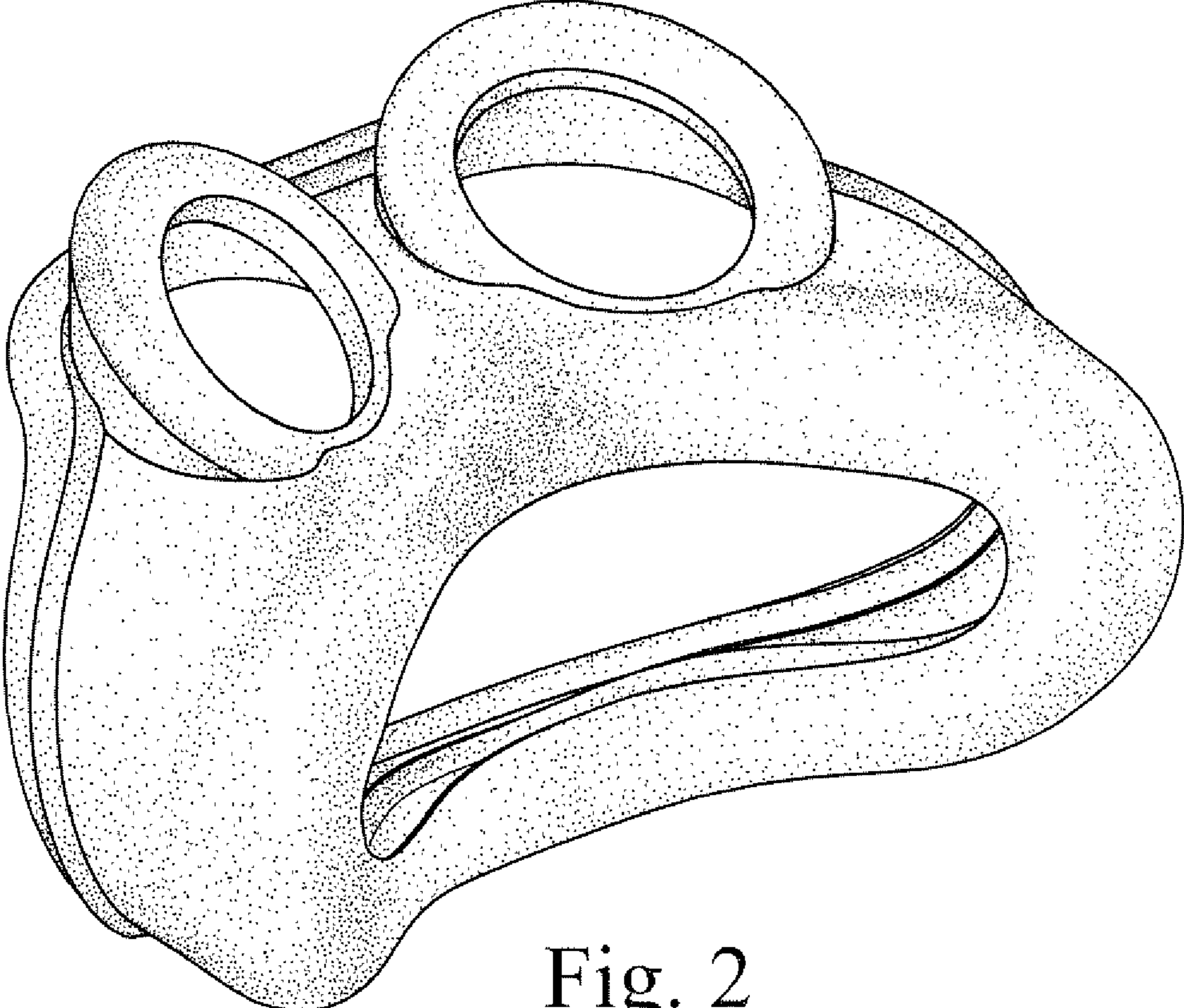


Fig. 2

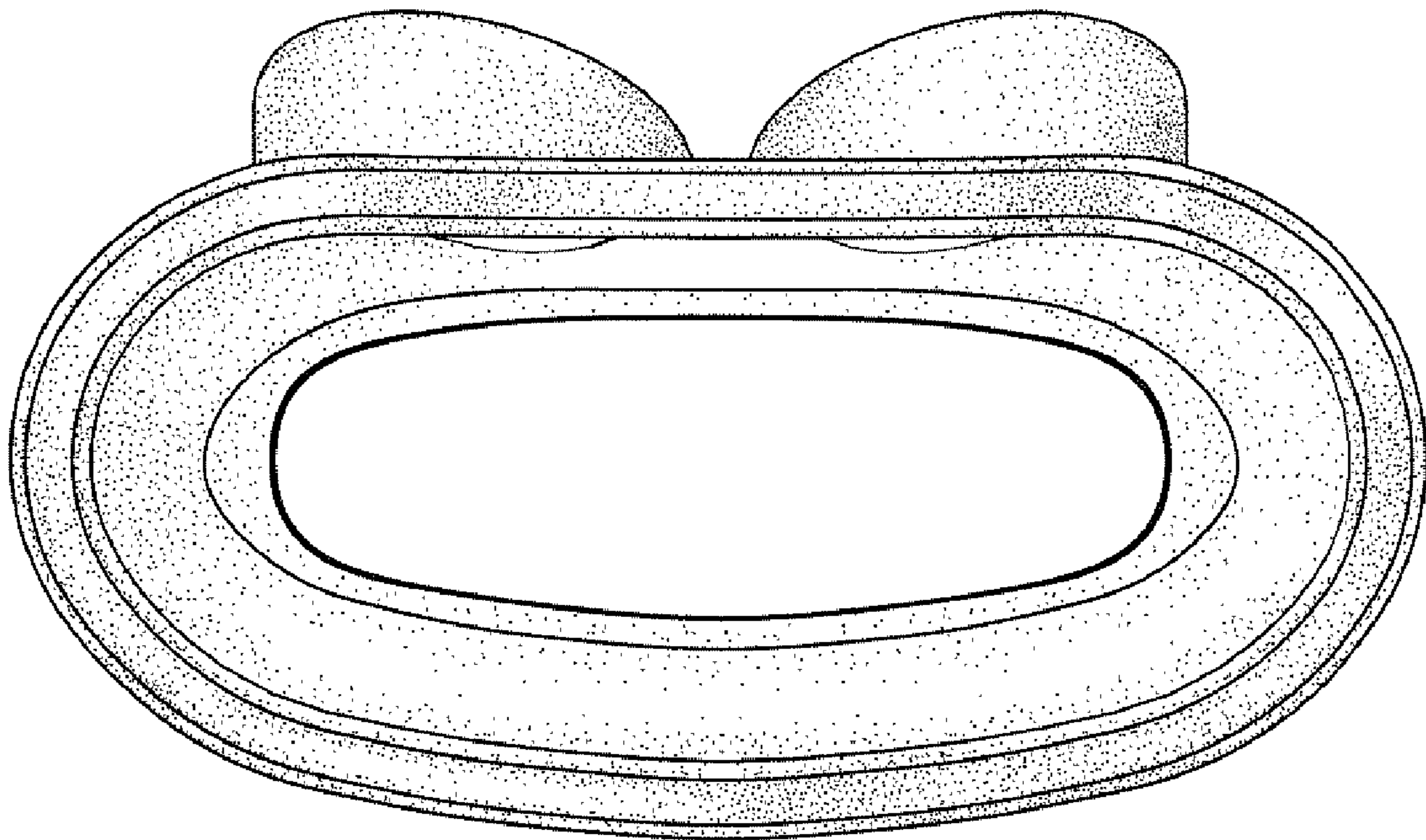


Fig. 3

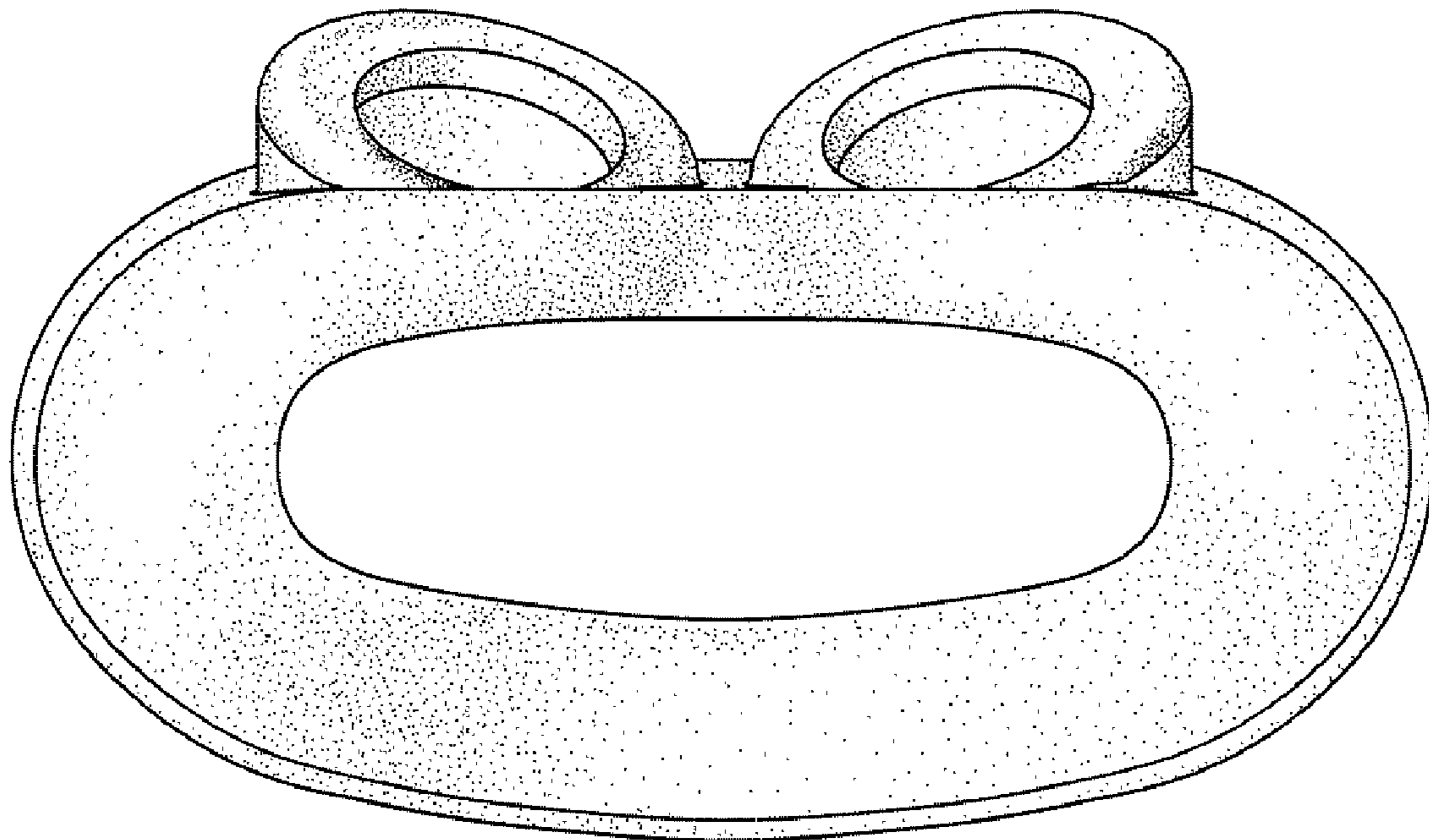


Fig. 4

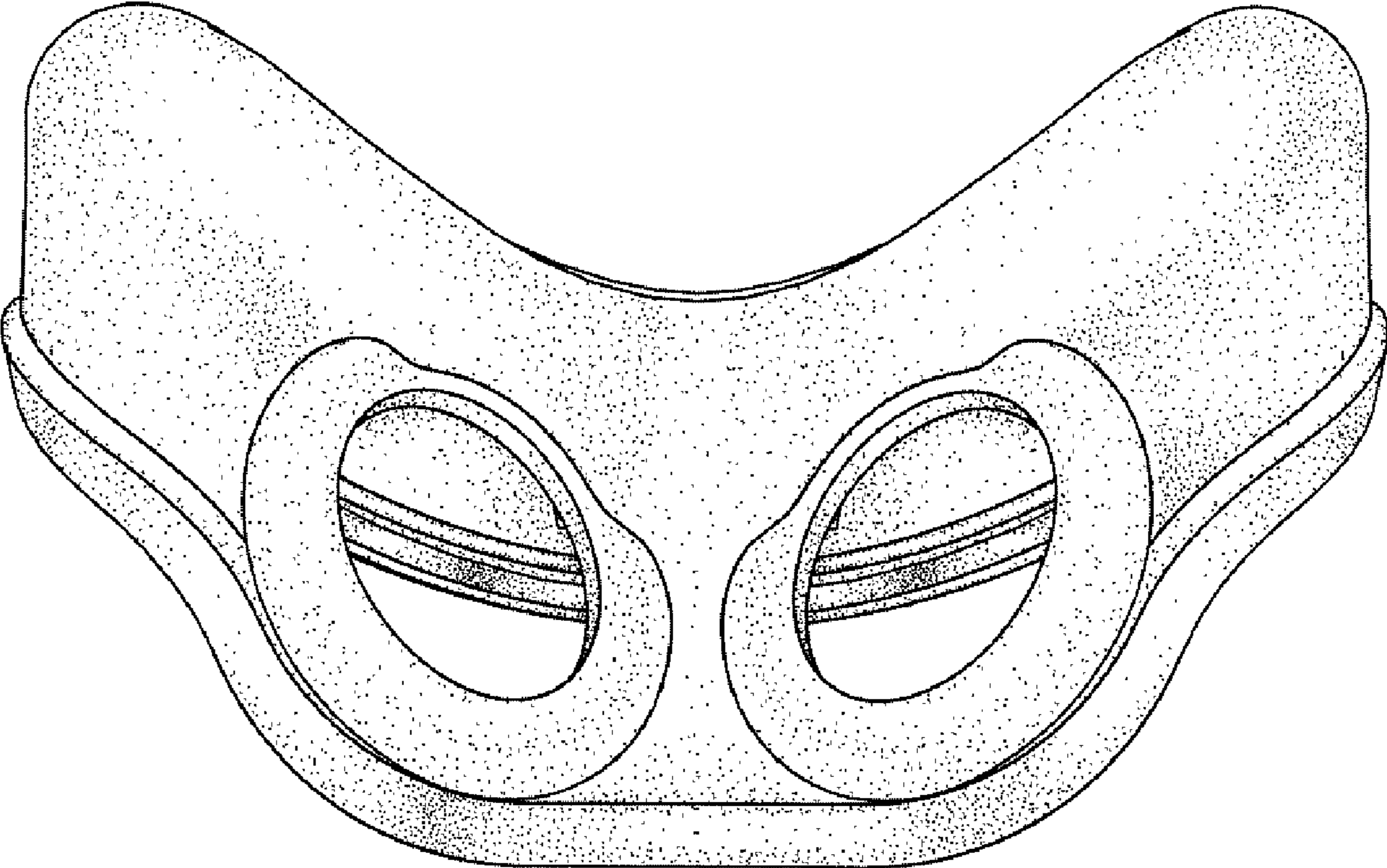


Fig. 5

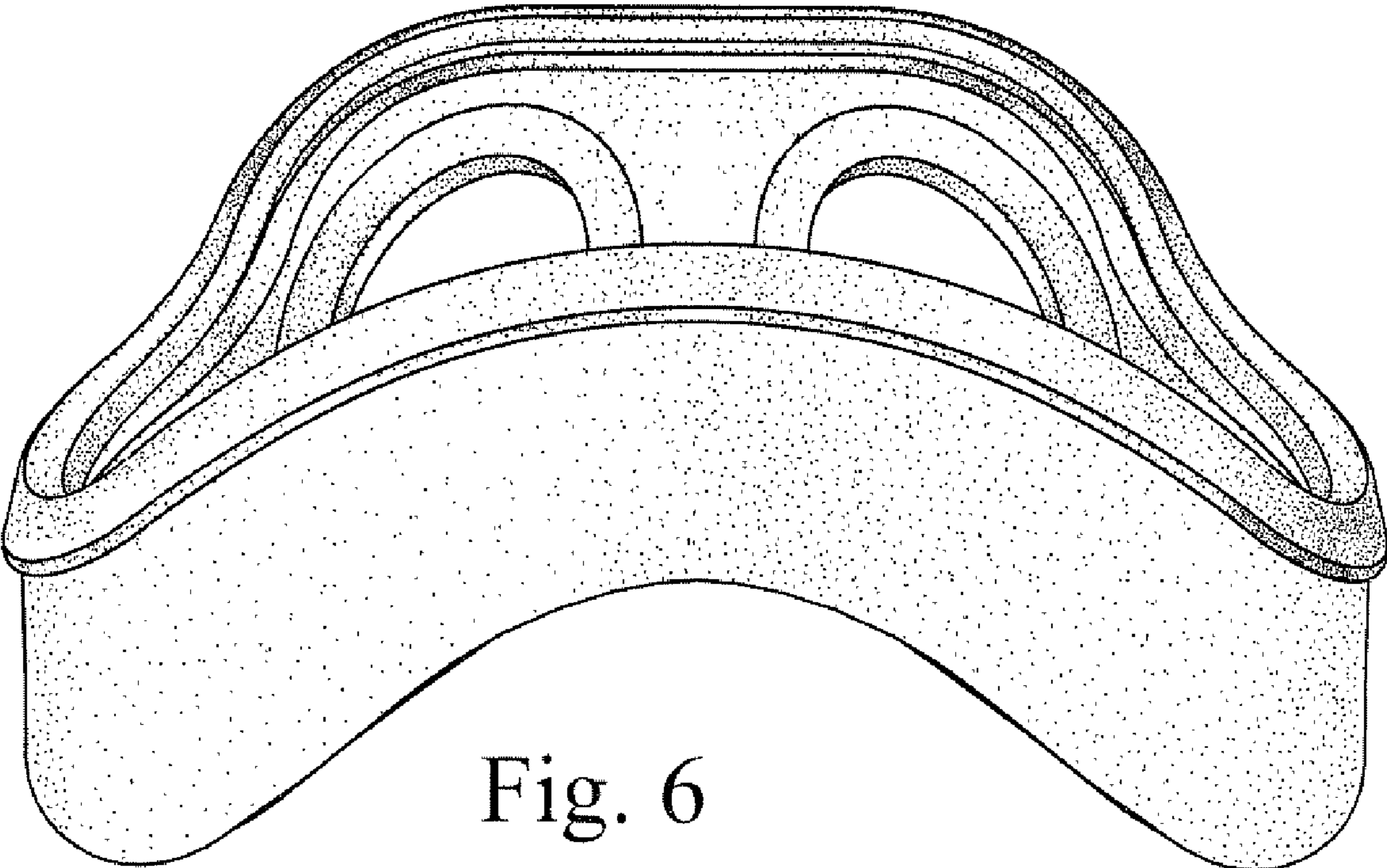


Fig. 6

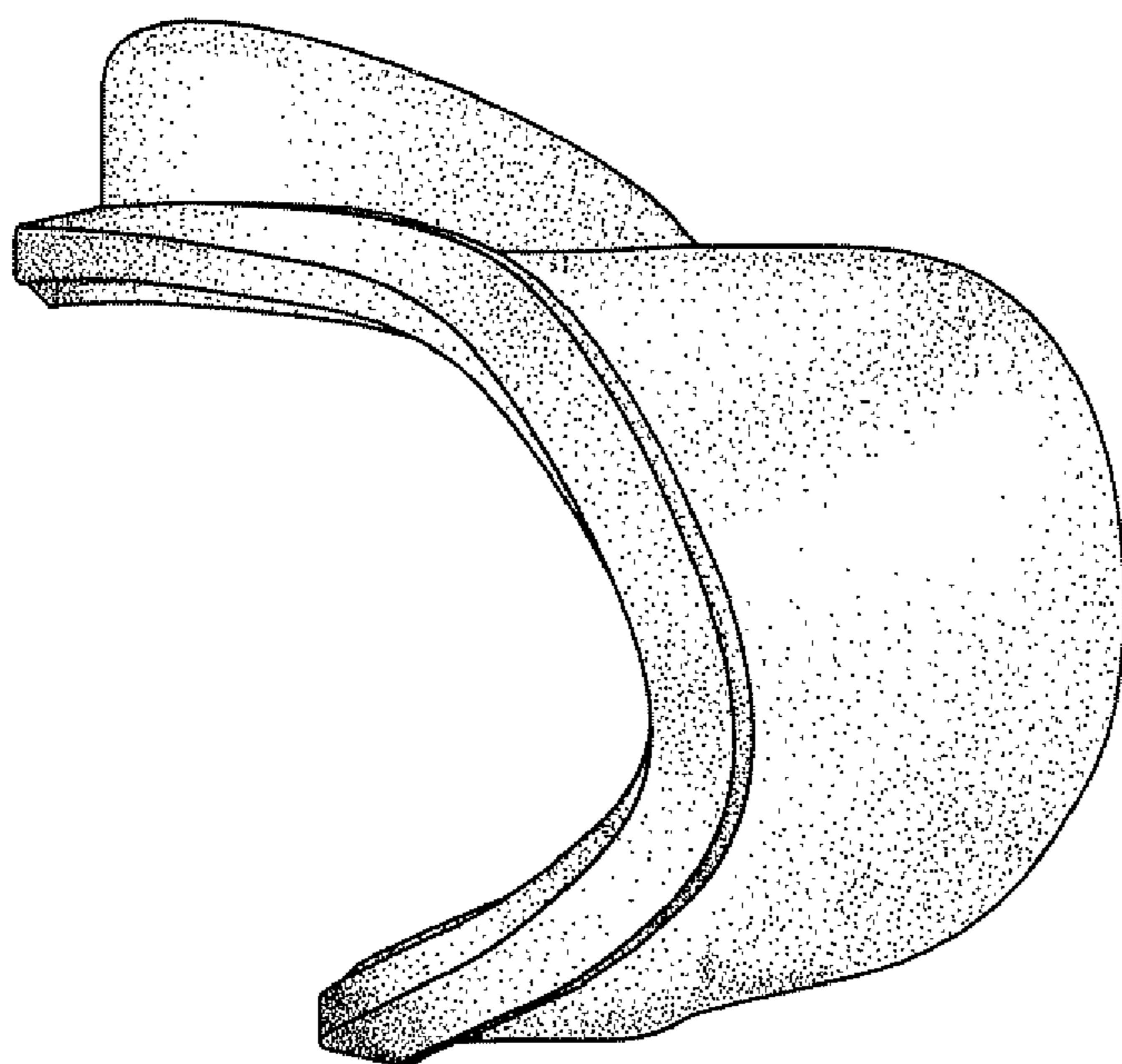


Fig. 7

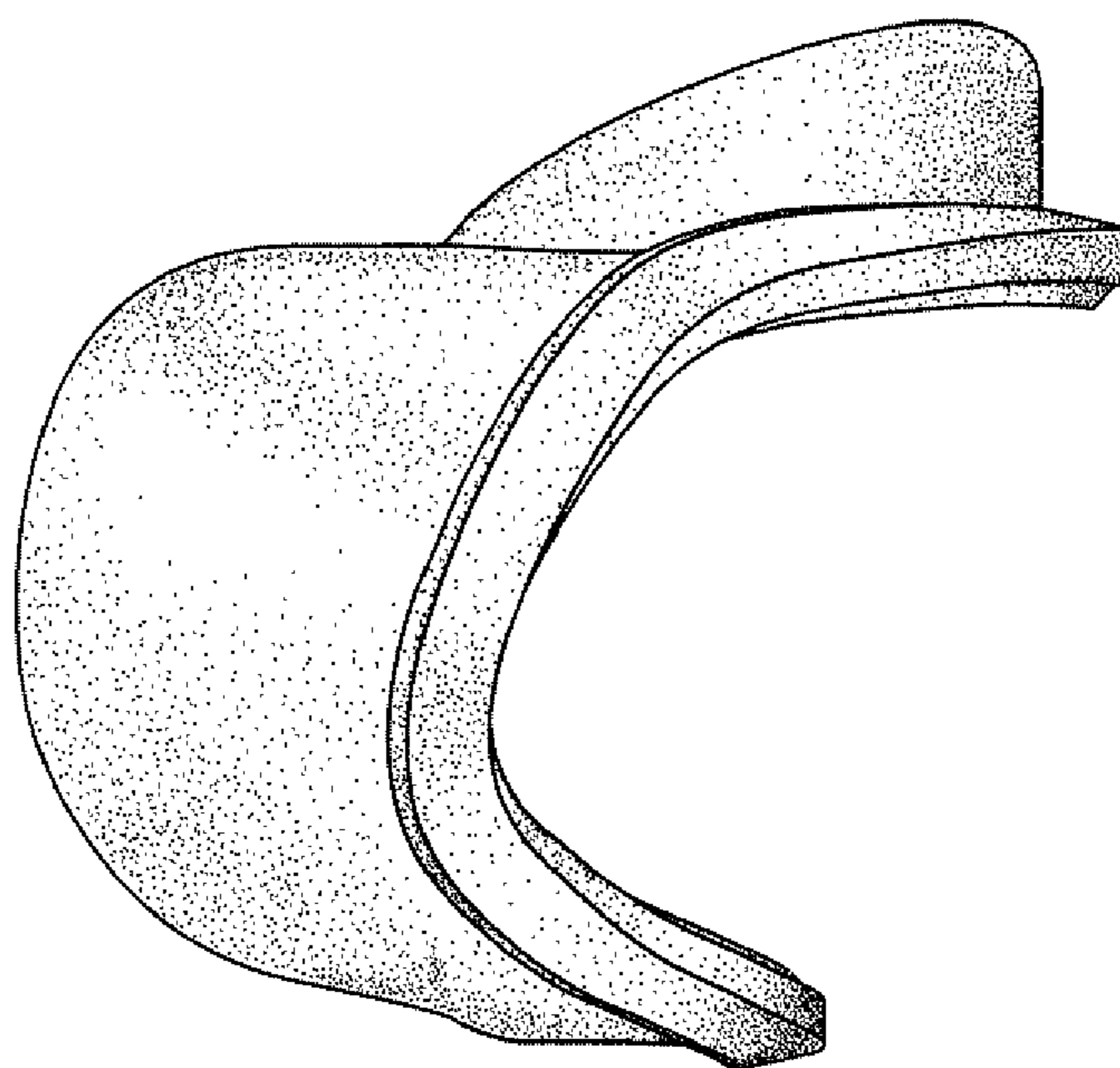


Fig. 8

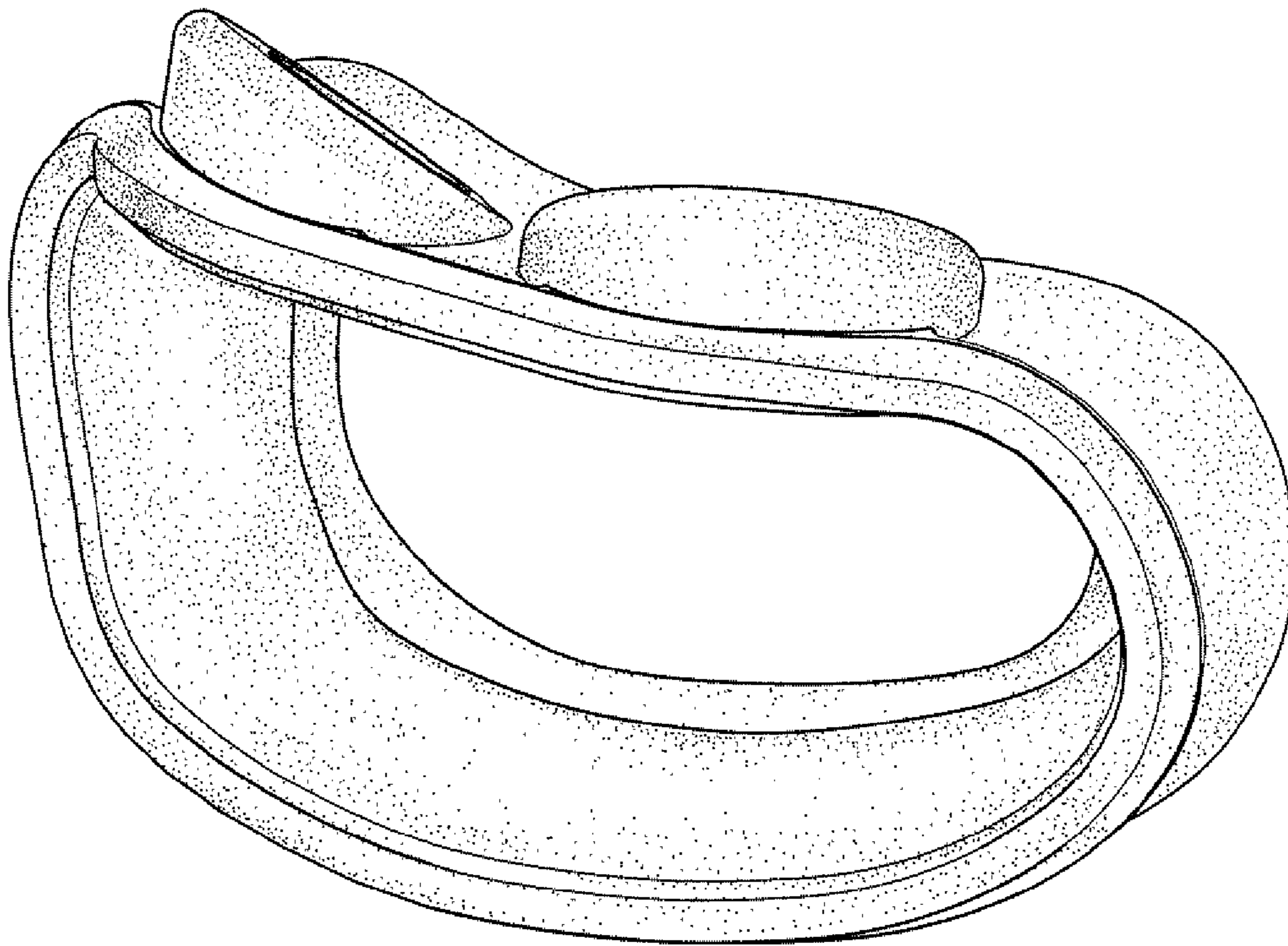


Fig. 9

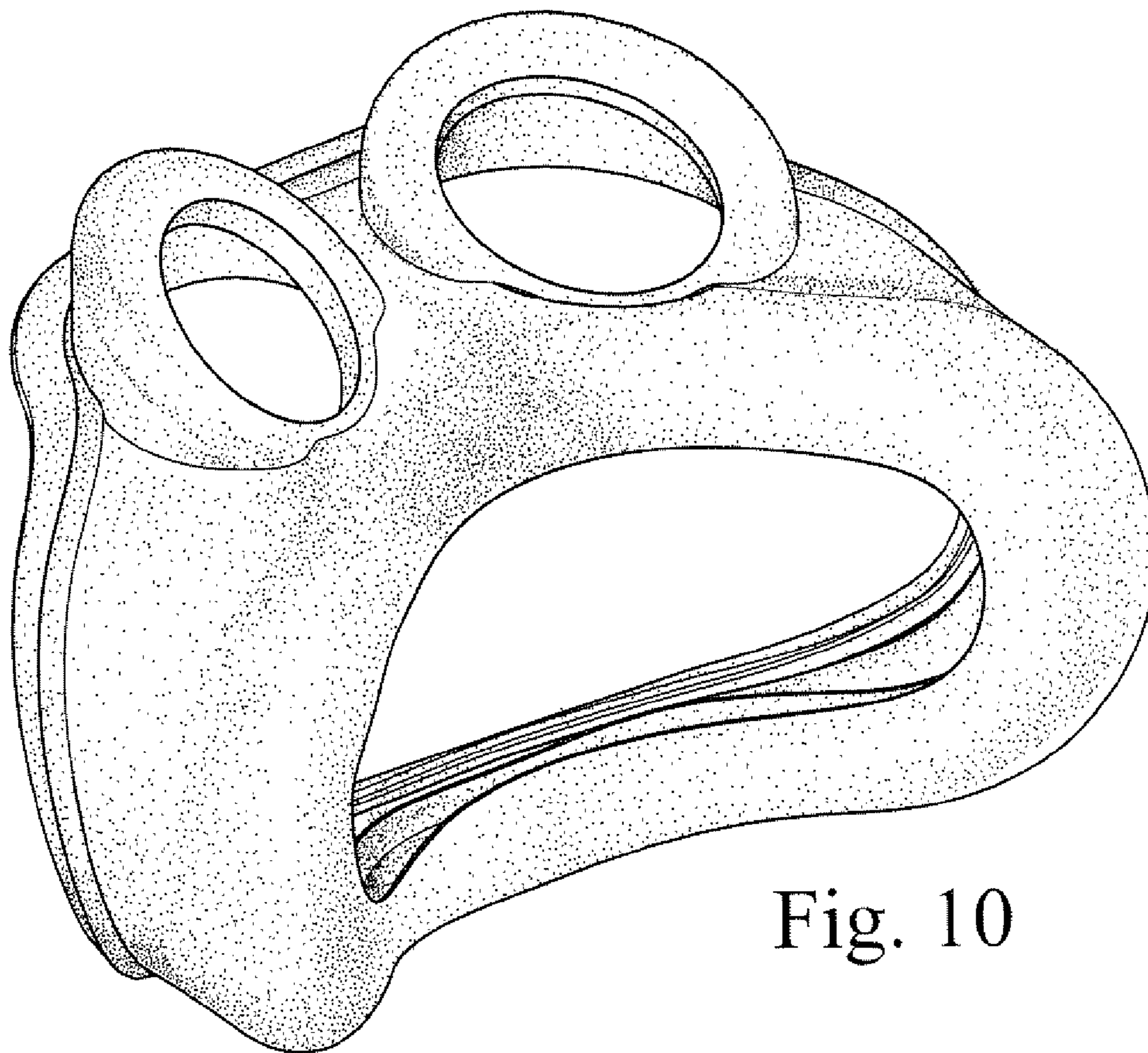


Fig. 10

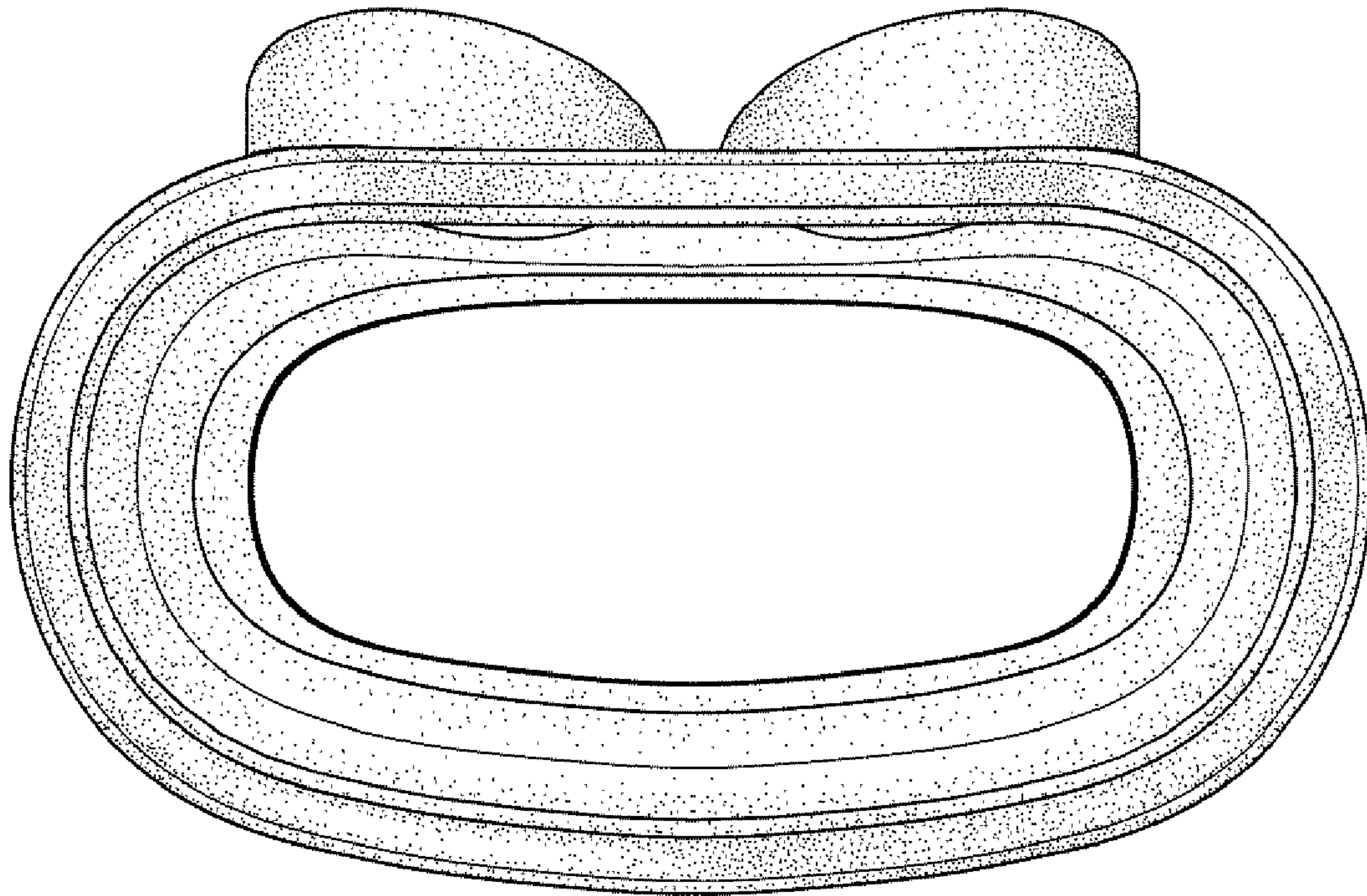


Fig. 11

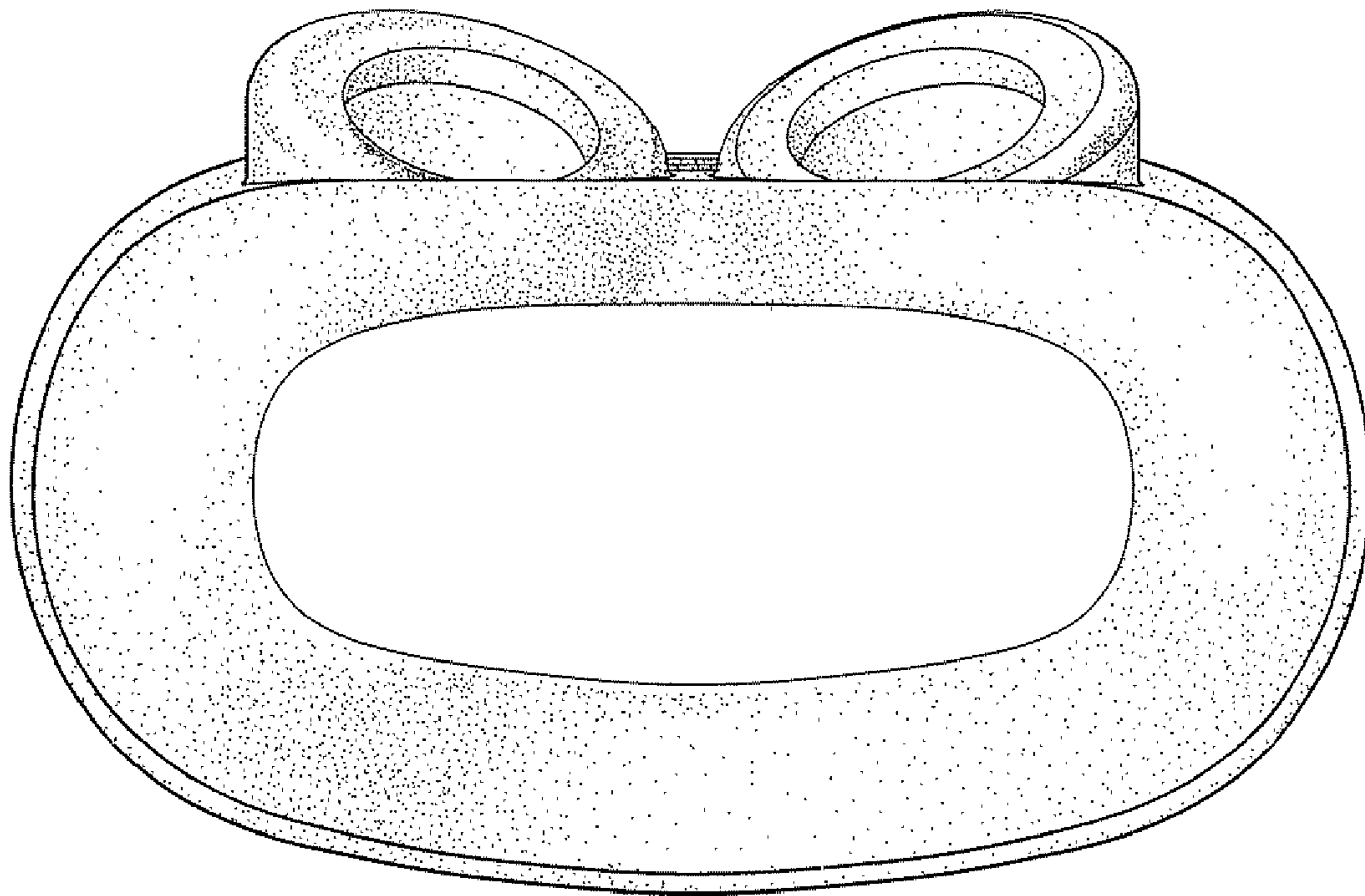


Fig. 12

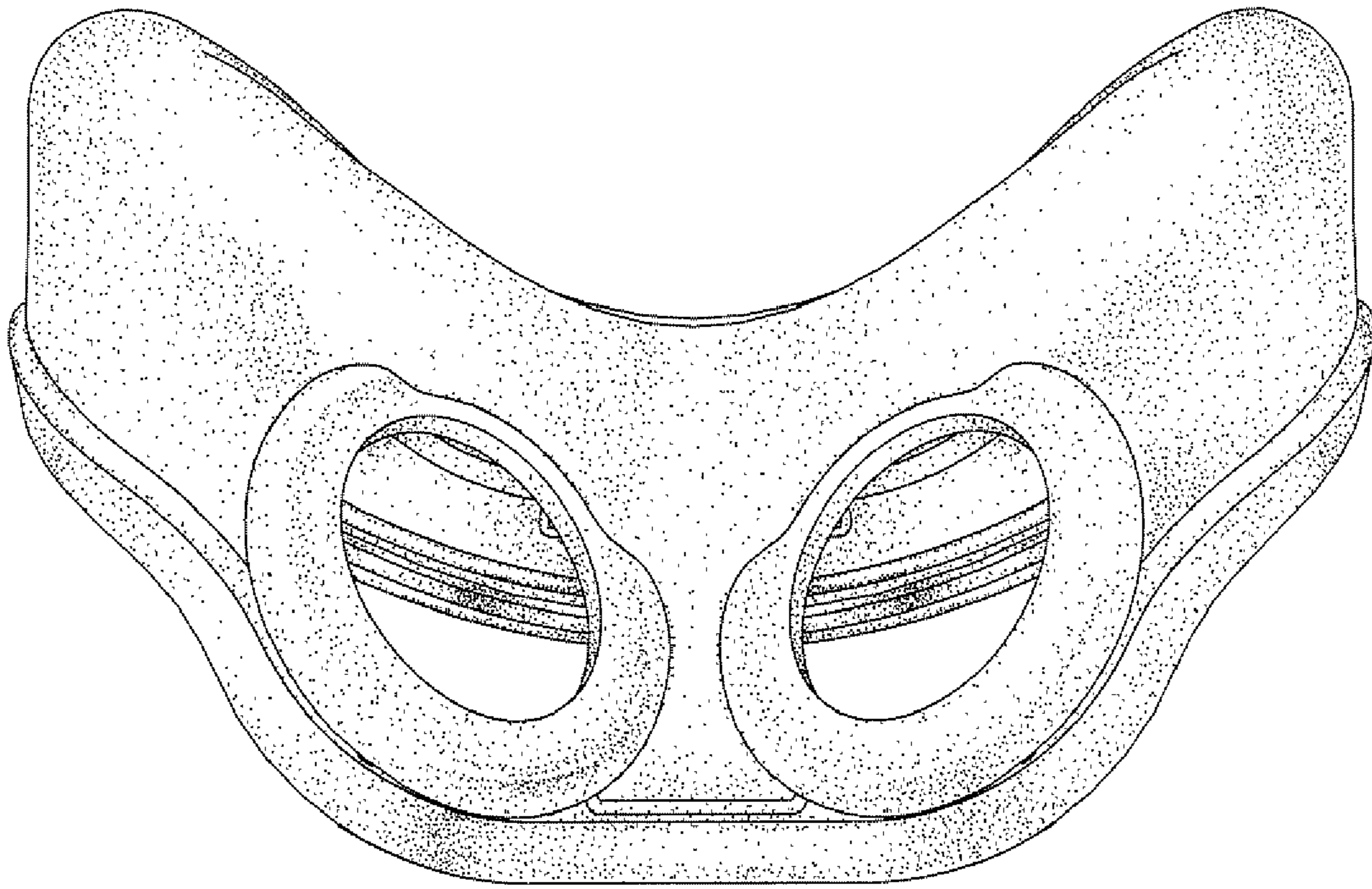


Fig. 13

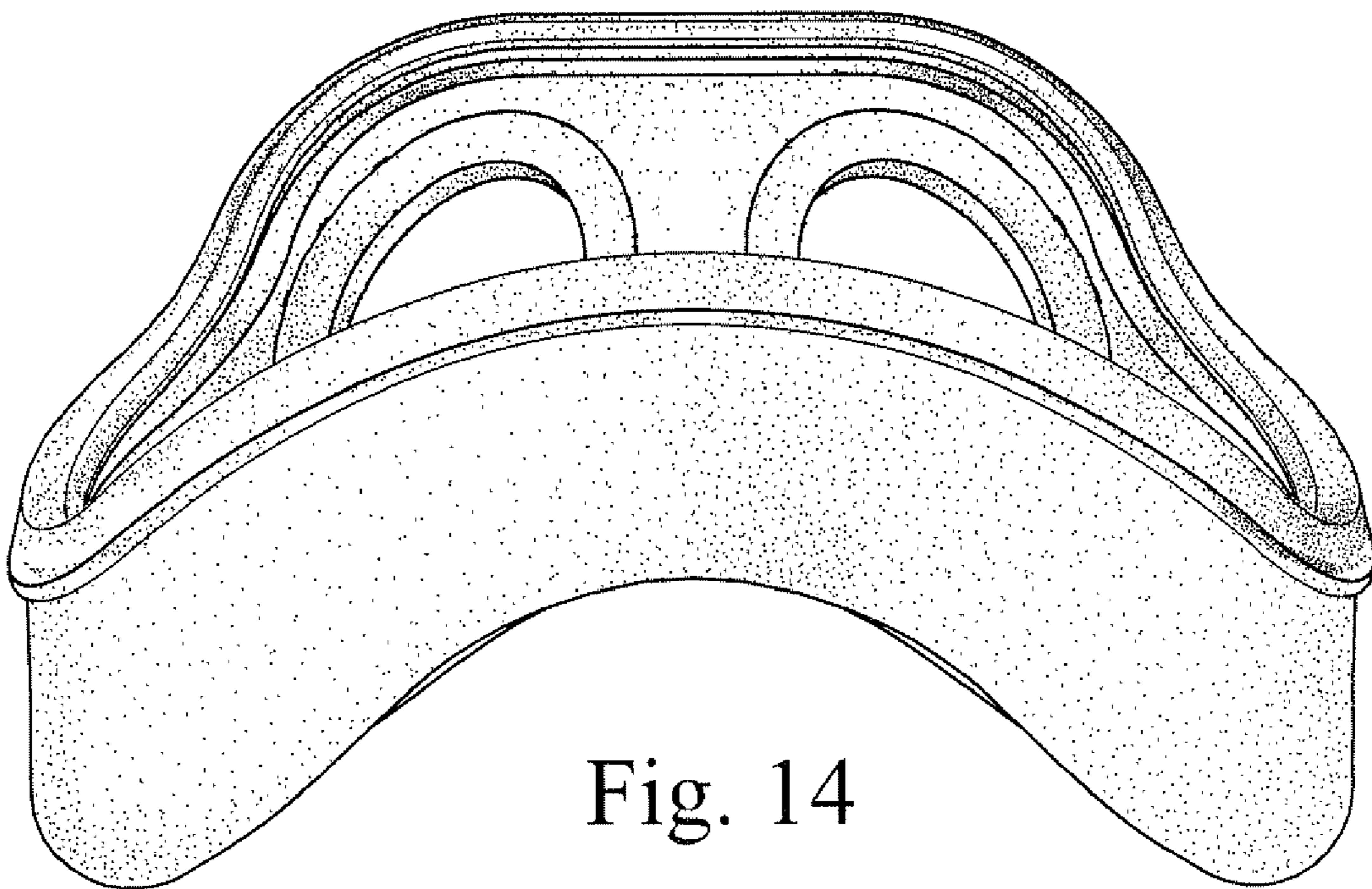


Fig. 14

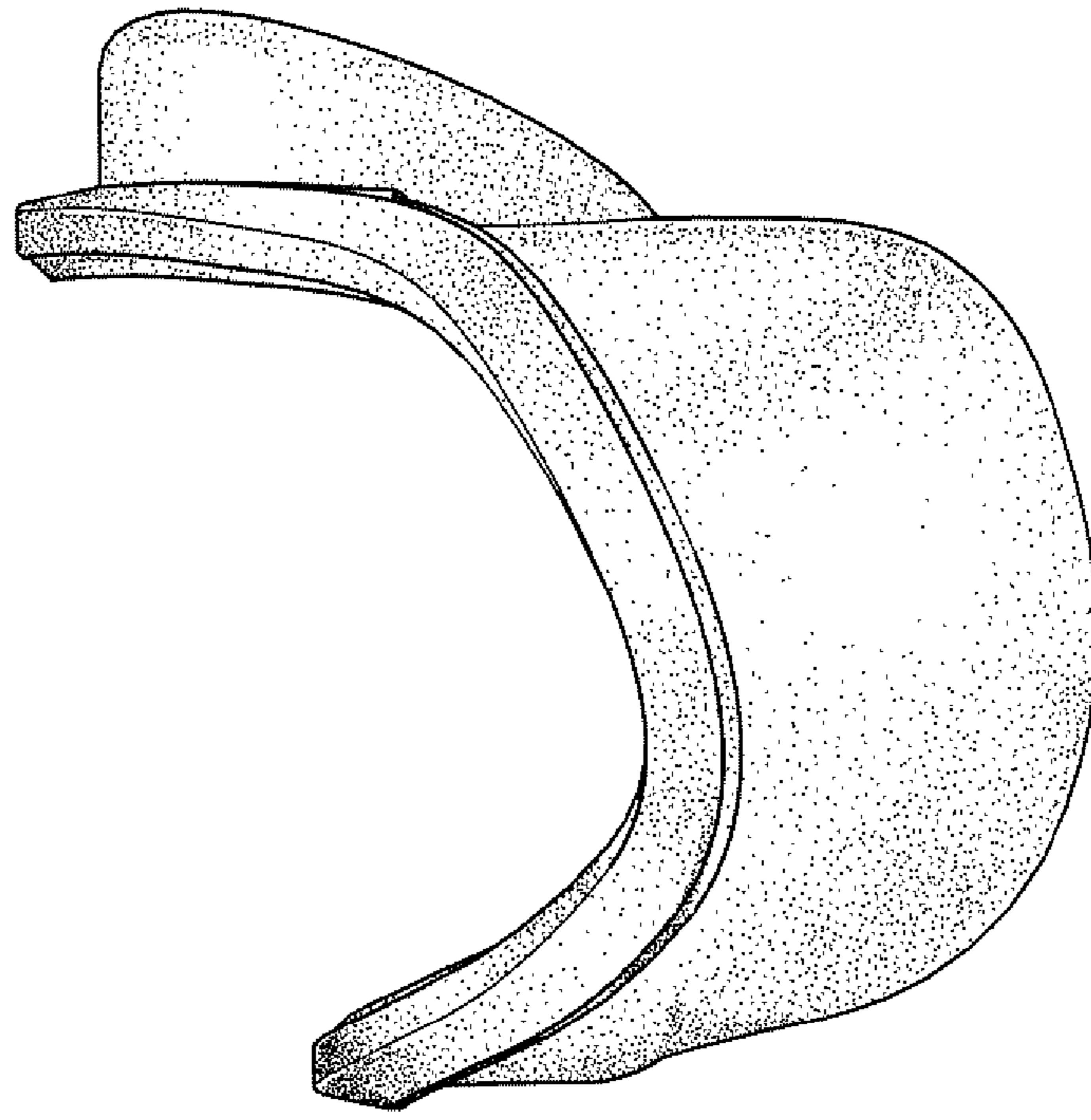


Fig. 15

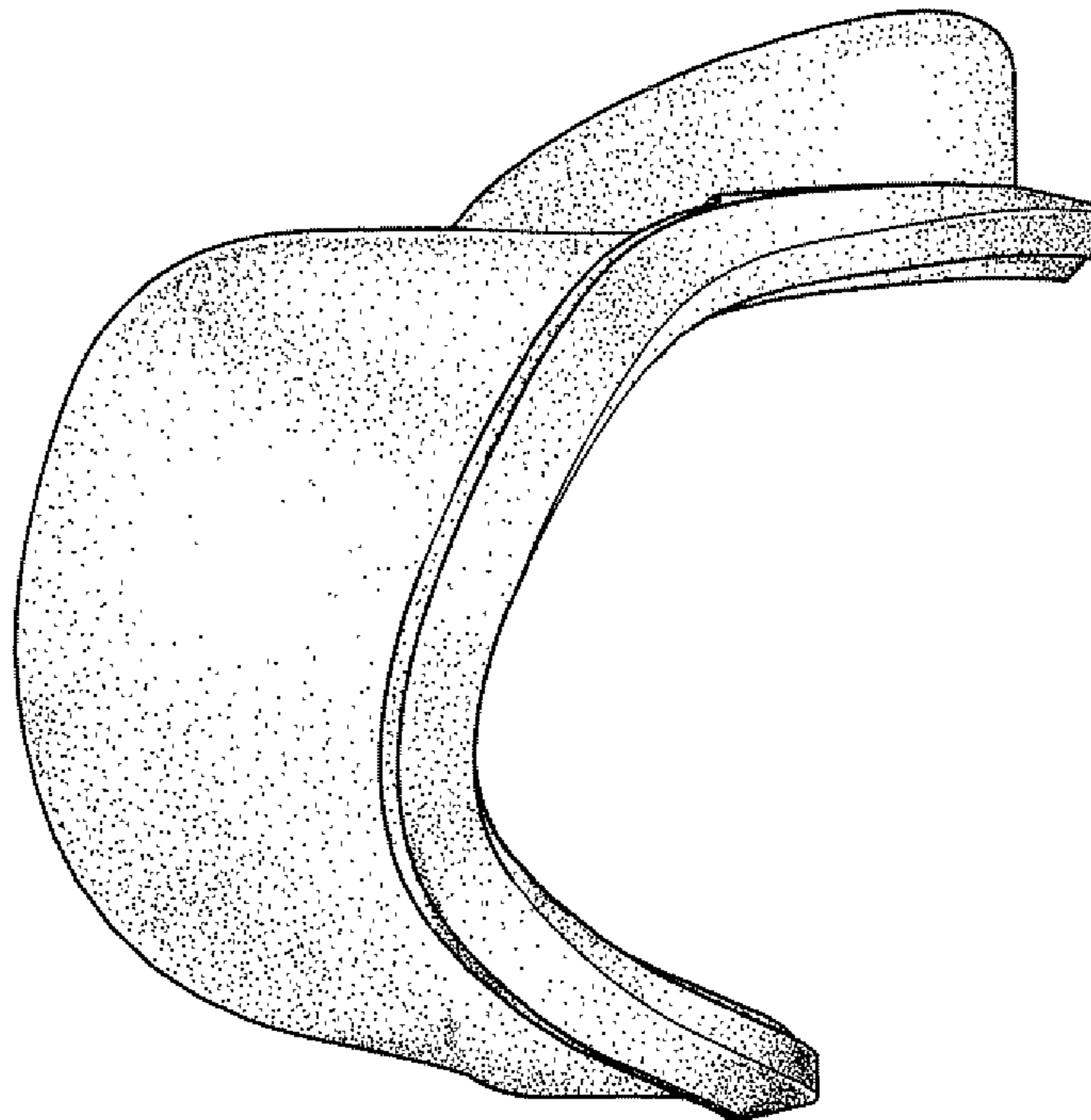


Fig. 16