



US00D626645S

(12) **United States Design Patent**
Omori et al.

(10) **Patent No.:** **US D626,645 S**
(45) **Date of Patent:** **** Nov. 2, 2010**

(54) **CONTAINER FOR BLOOD COMPONENT SEPARATION**

5,523,004 A * 6/1996 Tanokura et al. 210/782
5,527,472 A * 6/1996 Bellotti et al. 210/257.1

(75) Inventors: **Masayoshi Omori**, Hiroshima (JP);
Seishin Tanaka, Hiroshima (JP);
Yasunori Okamoto, Hiroshima (JP)

(Continued)

Primary Examiner—Ian Simmons

Assistant Examiner—Wan Laymon

(73) Assignee: **JMS Co., Ltd.**, Hiroshima (JP)

(74) *Attorney, Agent, or Firm*—Cermak Nakajima LLP;
Tomoko Nakajima

(**) Term: **14 Years**

(57) **CLAIM**

(21) Appl. No.: **29/341,992**

The ornamental design for a container for blood component separation and preservation, as shown.

(22) Filed: **Aug. 17, 2009**

DESCRIPTION

(30) **Foreign Application Priority Data**

Feb. 18, 2009 (JP) 2009-003187

FIG. 1 is a perspective view of a container for blood component separation showing our new design;

FIG. 2 is a front elevational view thereof;

(51) **LOC (9) Cl.** **24-02**

(52) **U.S. Cl.** **D24/108**

(58) **Field of Classification Search** D24/107,
D24/108, 111, 112, 117, 118, 121, 129, 164,
D24/167, 169; 494/2, 16, 36, 37, 84, 17,
494/20, 31, 33, 34; 435/2; 436/177; 422/99,
422/101, 102, 103; 210/257.1, 259, 422,
210/782, 806; 604/7, 6.15, 6.1, 30, 27, 19,
604/317, 403, 410

FIG. 3 is a rear elevational view thereof;

FIG. 4 is a left side elevational view thereof;

FIG. 5 is a right side elevational view thereof;

FIG. 6 is a top plan view thereof; and

FIG. 7 is a bottom plan view thereof.

See application file for complete search history.

FIG. 8 is an enlarged fragmentary perspective view thereof, taken along the lines 8-8' shown in FIG. 1;

FIG. 9 is an enlarged fragmentary perspective view thereof, taken along the lines 9-9' shown in FIG. 1;

FIG. 10 is an enlarged fragmentary front elevational view thereof, taken along the lines 10-10' shown in FIG. 2;

FIG. 11 is an enlarged fragmentary front elevational view thereof, taken along the lines 11-11' shown in FIG. 2;

(56) **References Cited**

U.S. PATENT DOCUMENTS

- 4,047,526 A * 9/1977 Reynolds et al. 604/6.15
- 4,820,297 A * 4/1989 Kaufman et al. 604/410
- 4,900,321 A * 2/1990 Kaufman et al. 604/410
- 5,045,074 A * 9/1991 Satterfield et al. 604/317
- 5,071,570 A * 12/1991 Shiraki et al. 210/782
- 5,102,407 A * 4/1992 Carmen et al. 604/410
- 5,141,645 A * 8/1992 Shiraki et al. 604/410
- 5,234,403 A * 8/1993 Yoda et al. 604/6.1
- D339,194 S * 9/1993 Telang et al. D24/117
- D347,891 S * 6/1994 Koch D24/118
- D367,110 S * 2/1996 Cotter D24/118

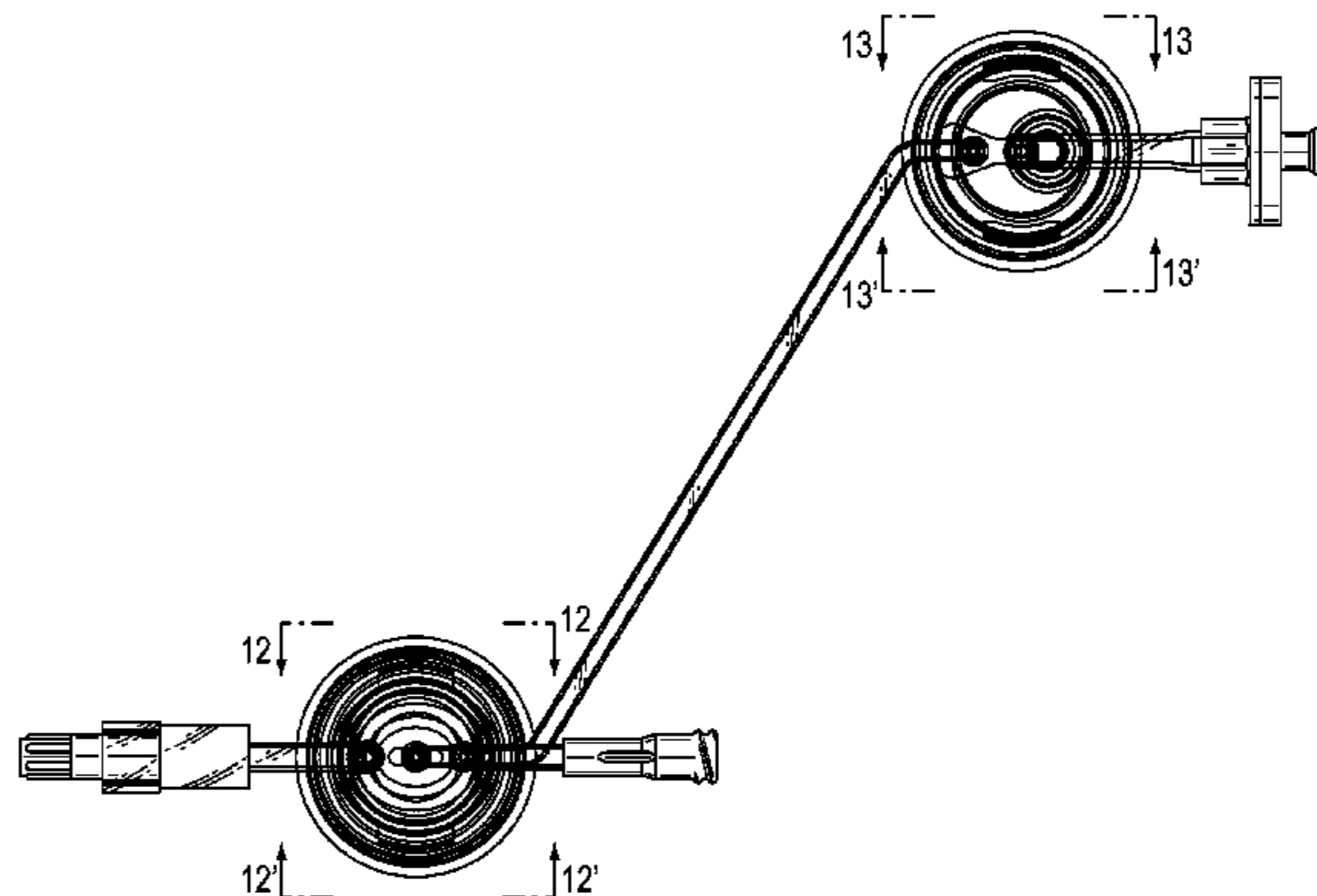
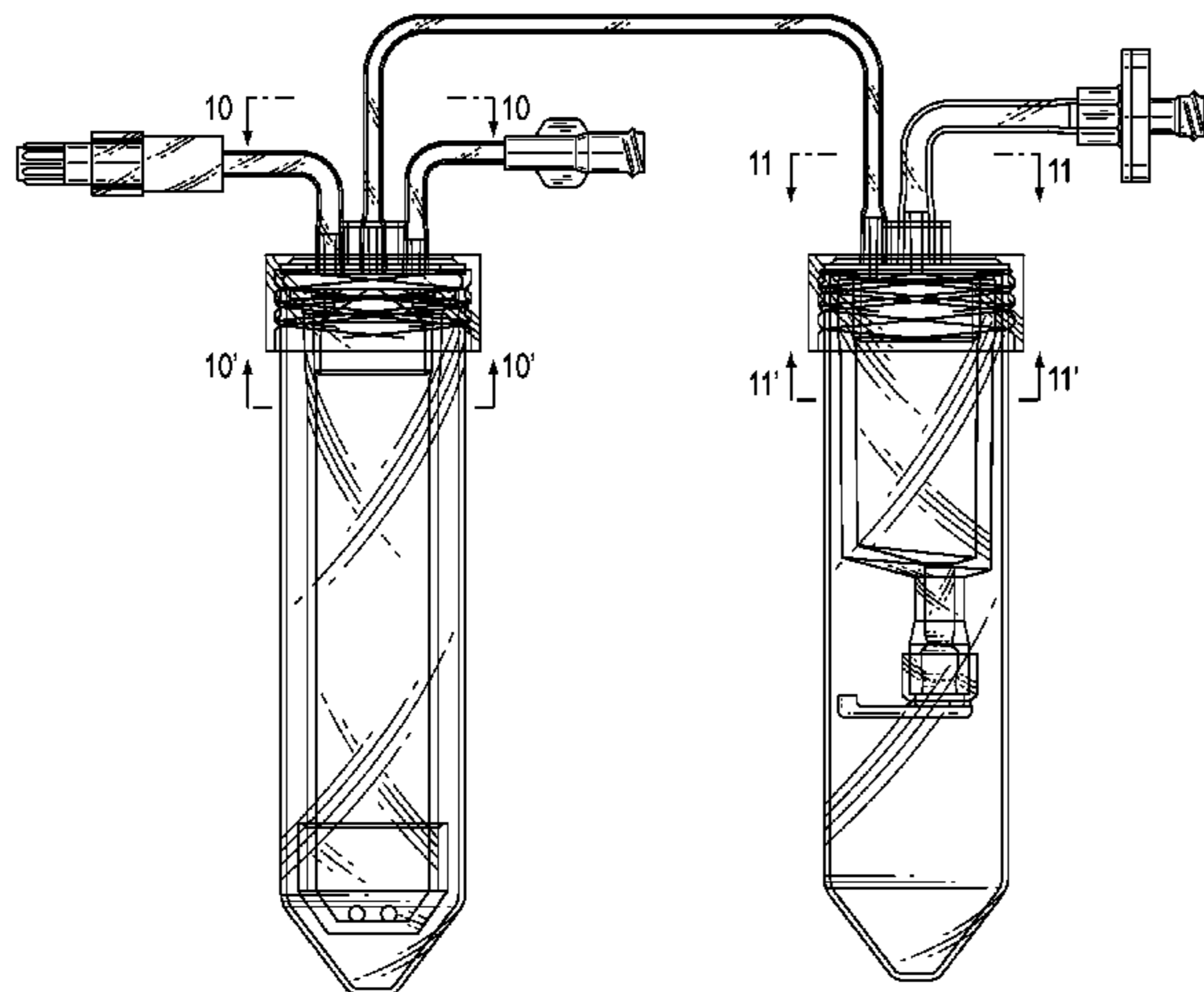
FIG. 12 is an enlarged fragmentary top plan view thereof, taken along the lines 12-12' shown in FIG. 6;

FIG. 13 is an enlarged fragmentary top plan view thereof, taken along the lines 13-13' shown in FIG. 6;

FIG. 14 is an enlarged fragmentary bottom plan view thereof, taken along the lines 14-14' shown in FIG. 7; and,

FIG. 15 is an enlarged fragmentary bottom plan view thereof, taken along the lines 15-15' shown in FIG. 7.

1 Claim, 15 Drawing Sheets



US D626,645 S

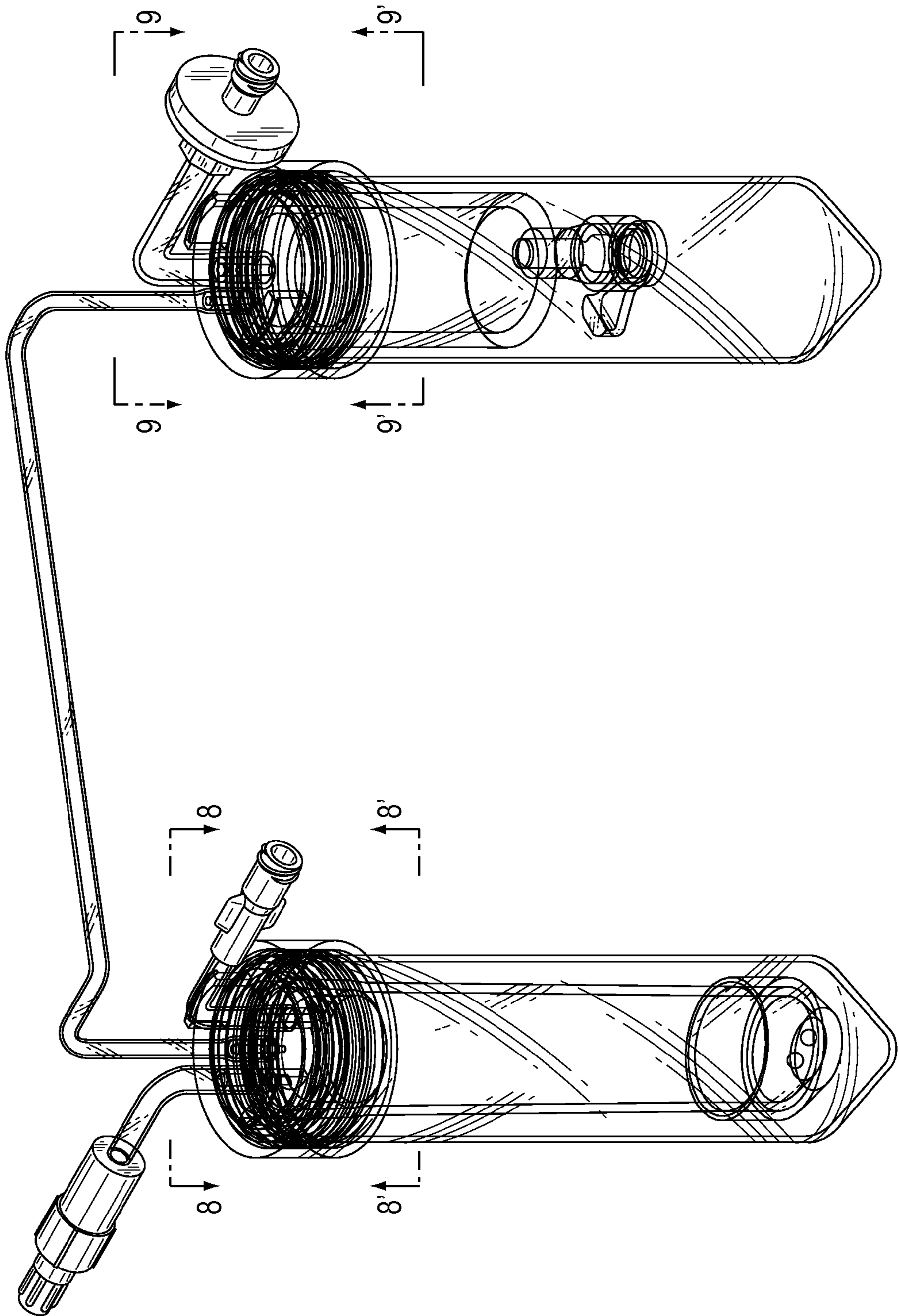
Page 2

U.S. PATENT DOCUMENTS

5,648,265	A *	7/1997	Epstein	604/403	6,742,760	B2 *	6/2004	Blickhan et al.	251/11
D383,837	S *	9/1997	Cotter	D24/108	7,264,608	B2 *	9/2007	Bischof et al.	604/403
5,674,199	A *	10/1997	Brugger	604/122	7,309,468	B2 *	12/2007	Stevens et al.	422/102
D387,157	S *	12/1997	Cotter	D24/118	2005/0215975	A1 *	9/2005	Mathias et al.	604/403
6,387,086	B2 *	5/2002	Mathias et al.	604/6.15	2006/0243676	A1 *	11/2006	Swift et al.	210/782
6,589,197	B1 *	7/2003	Doi et al.	604/6.1	2008/0241001	A1 *	10/2008	Haywood et al.	422/102
						2009/0187153	A1 *	7/2009	West et al.	604/263

* cited by examiner

FIG.1



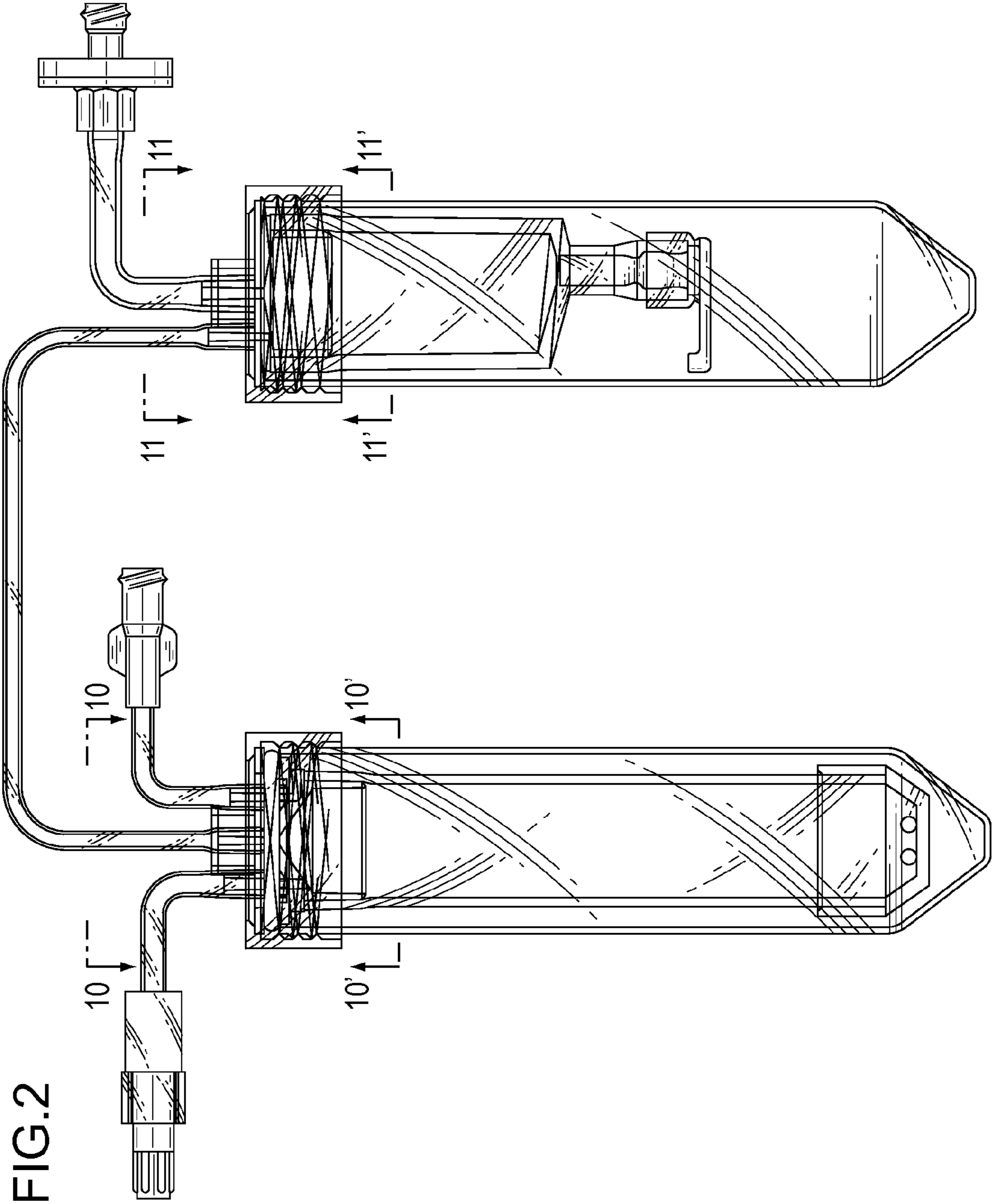


FIG.2

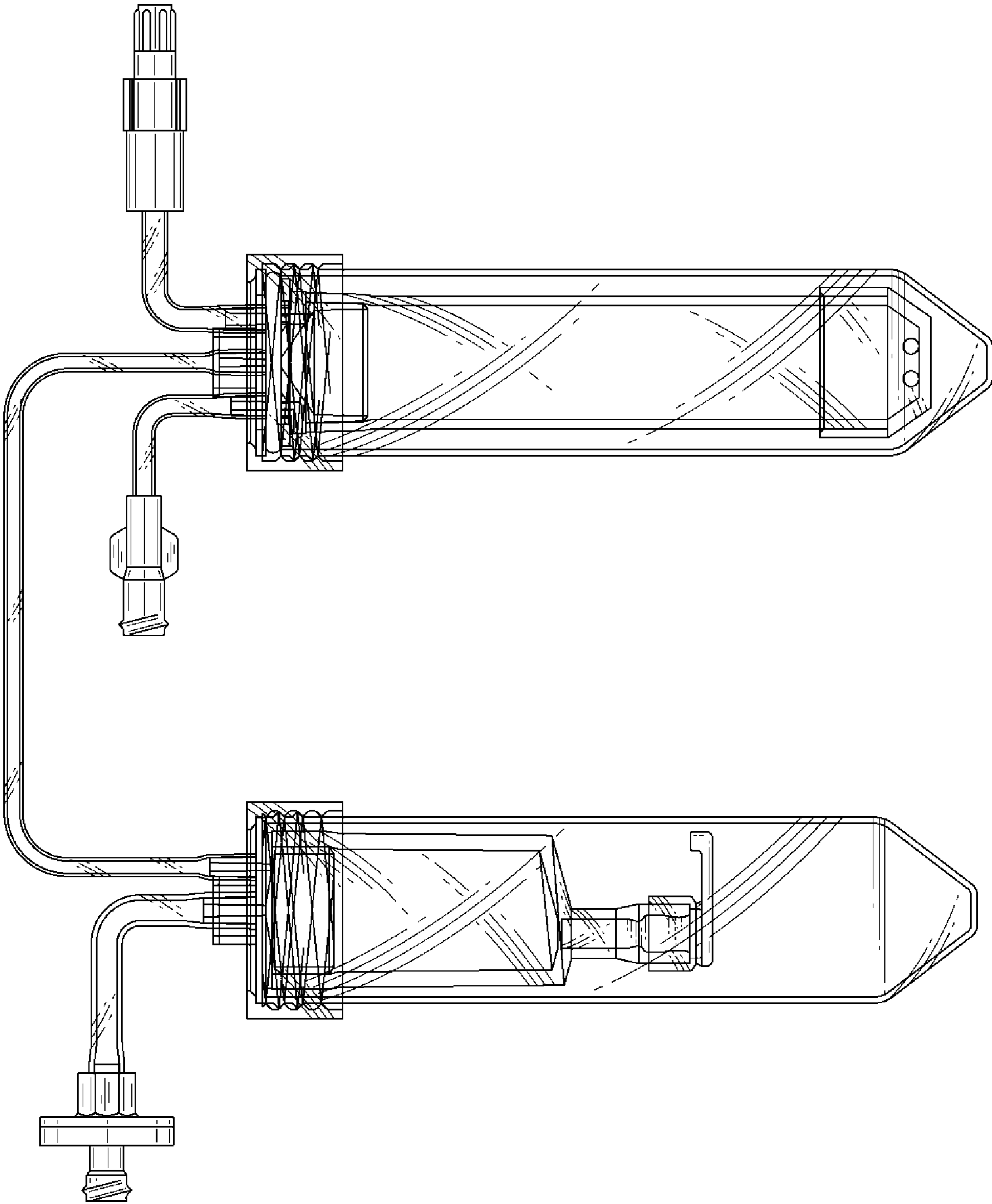


FIG.3

FIG.4

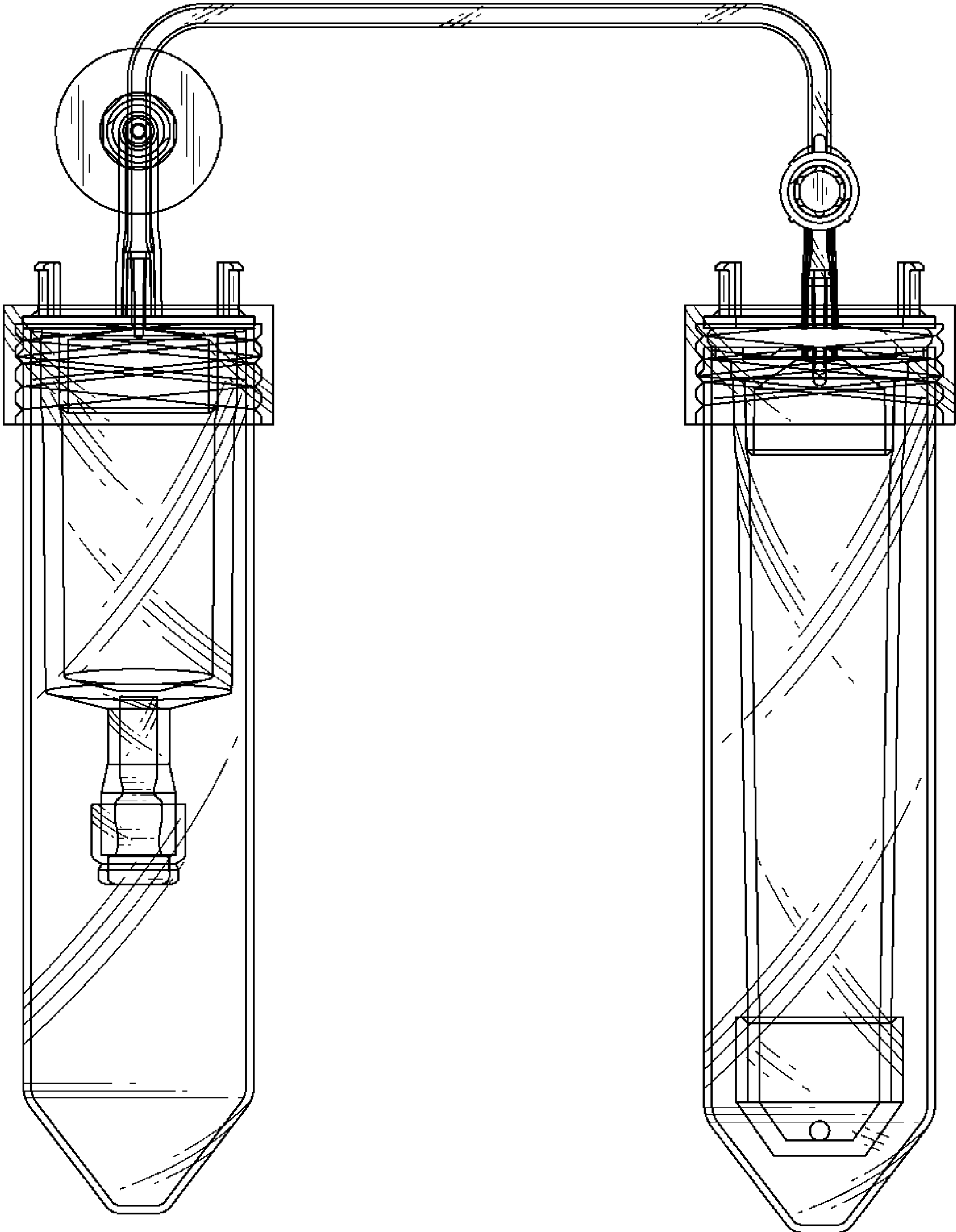


FIG. 5

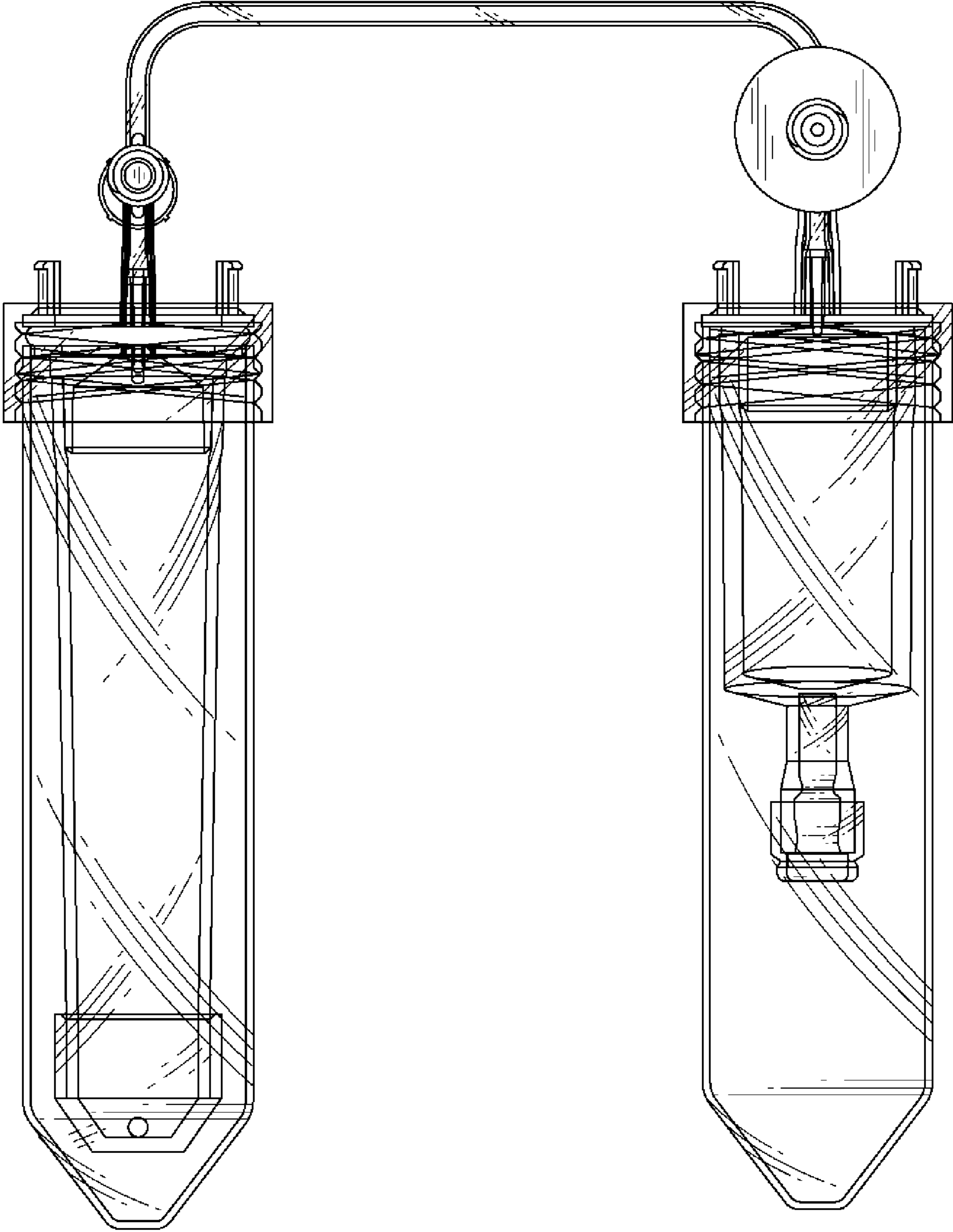


FIG.6

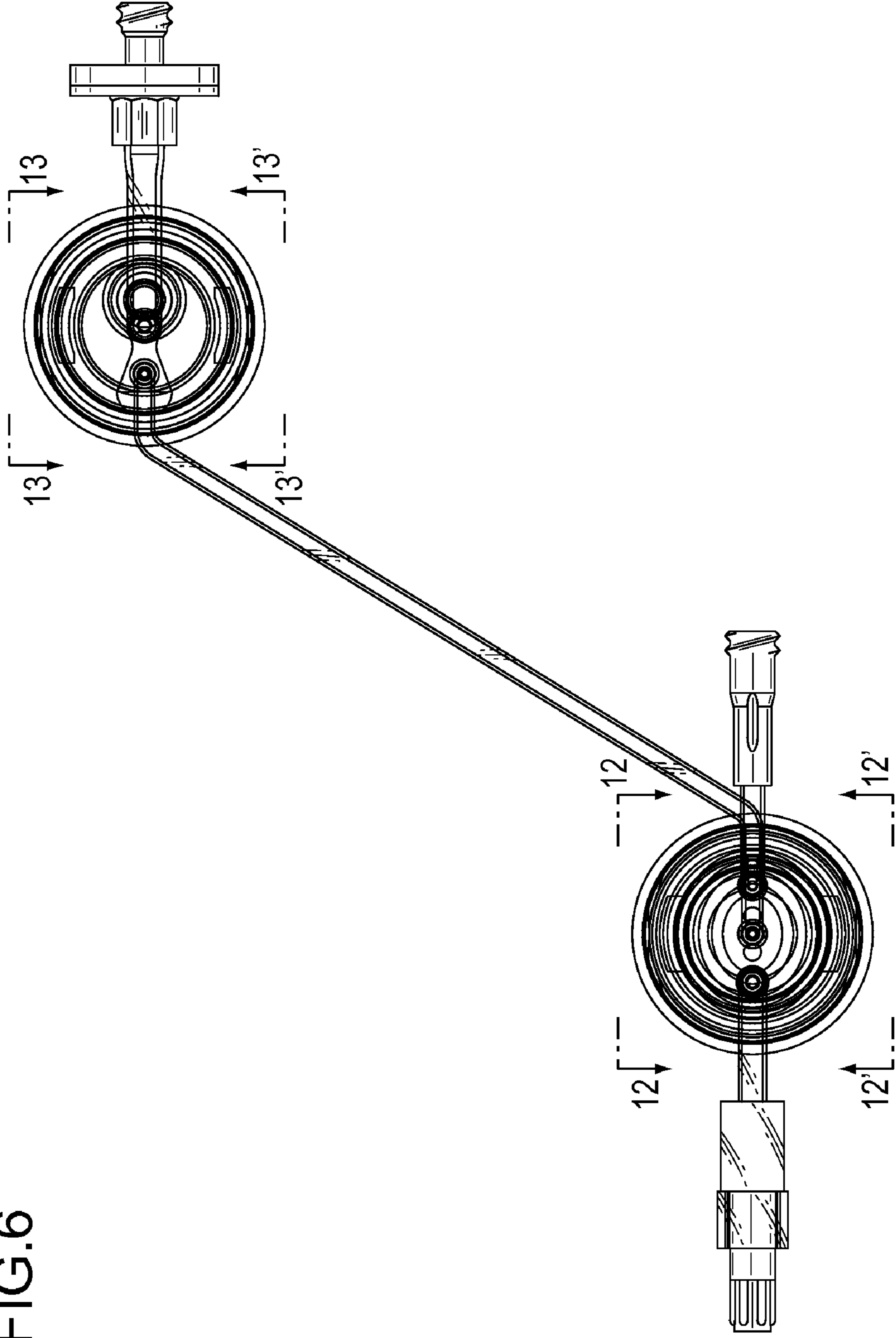
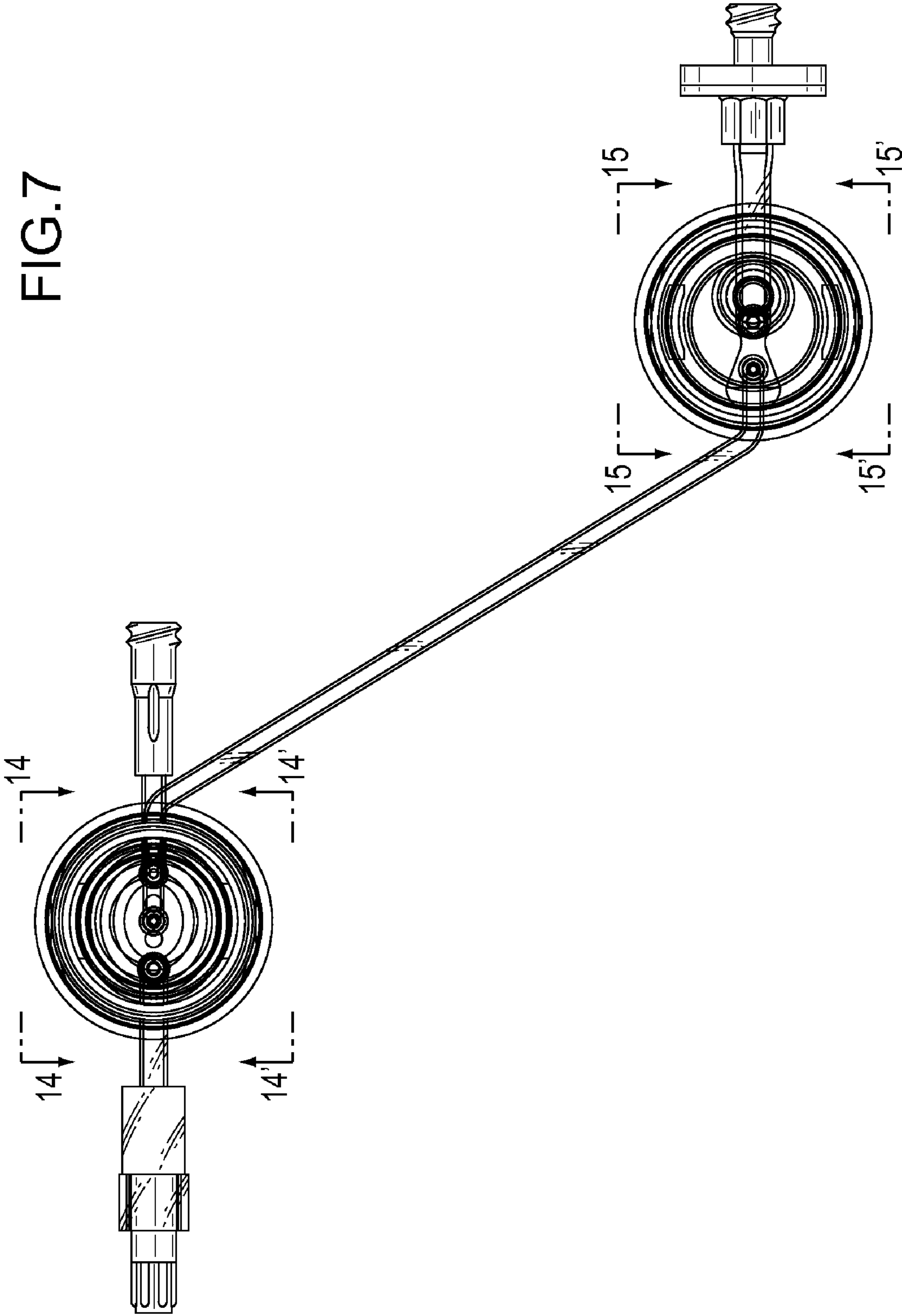


FIG. 7



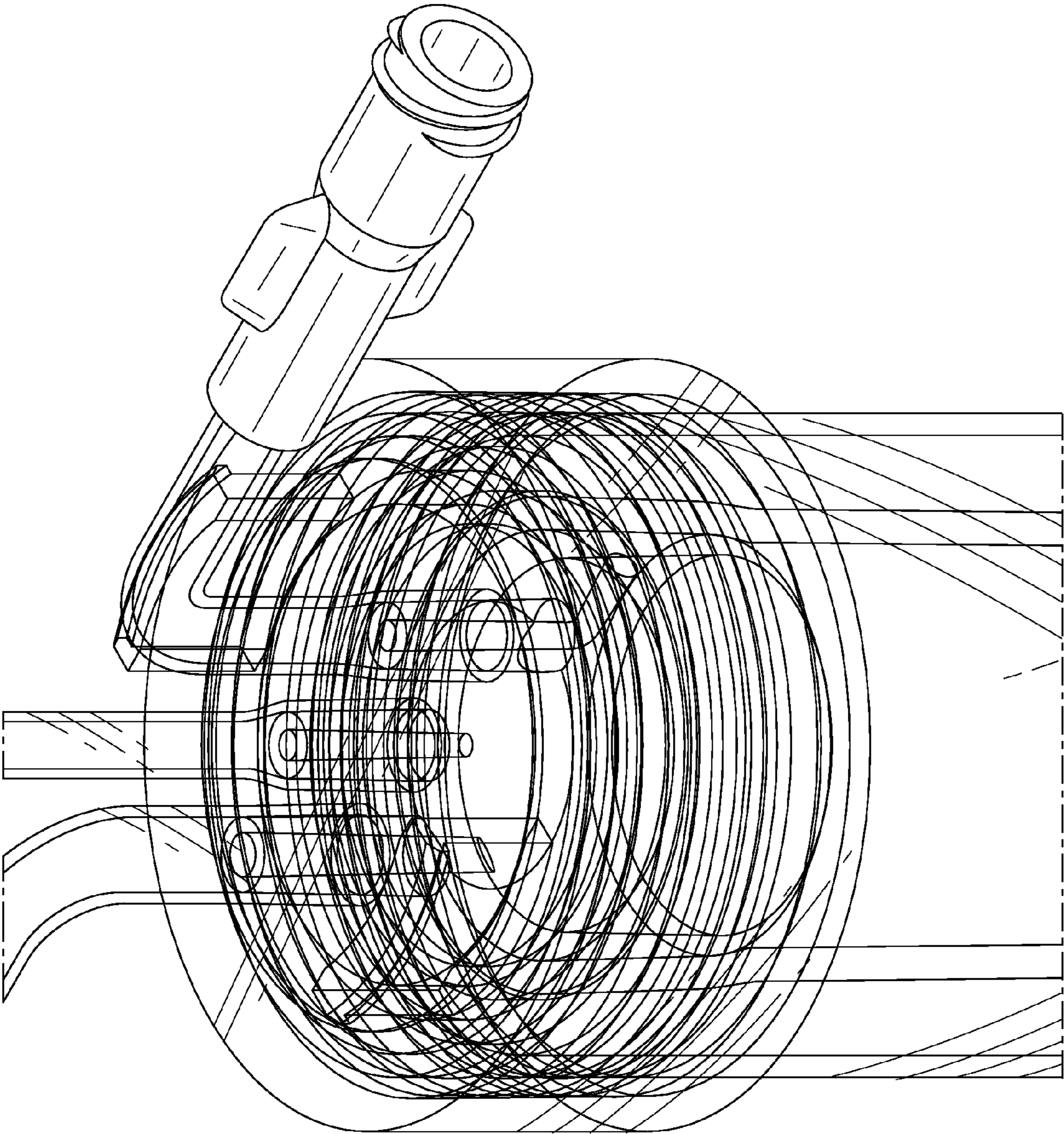


FIG.8

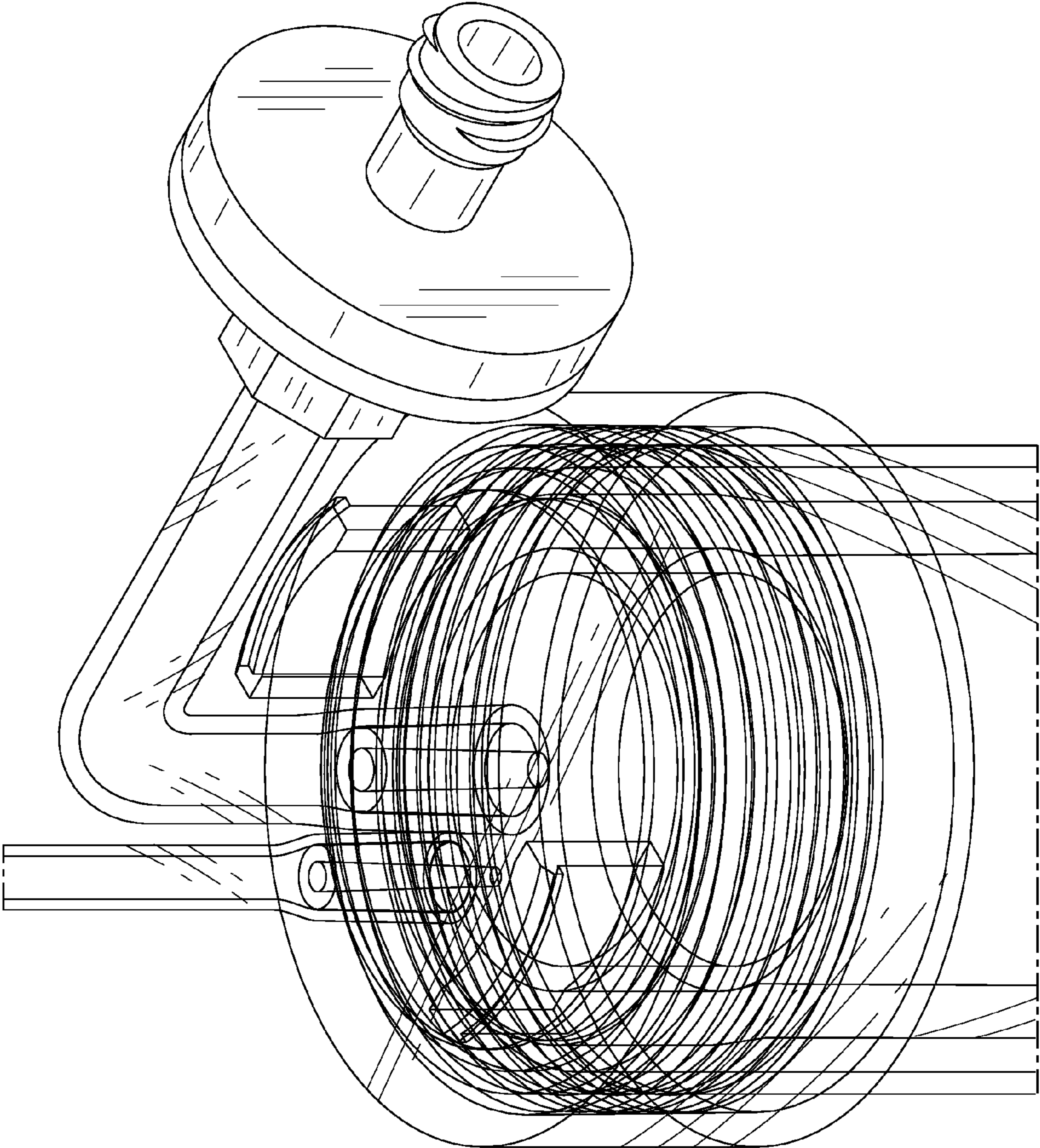


FIG.9

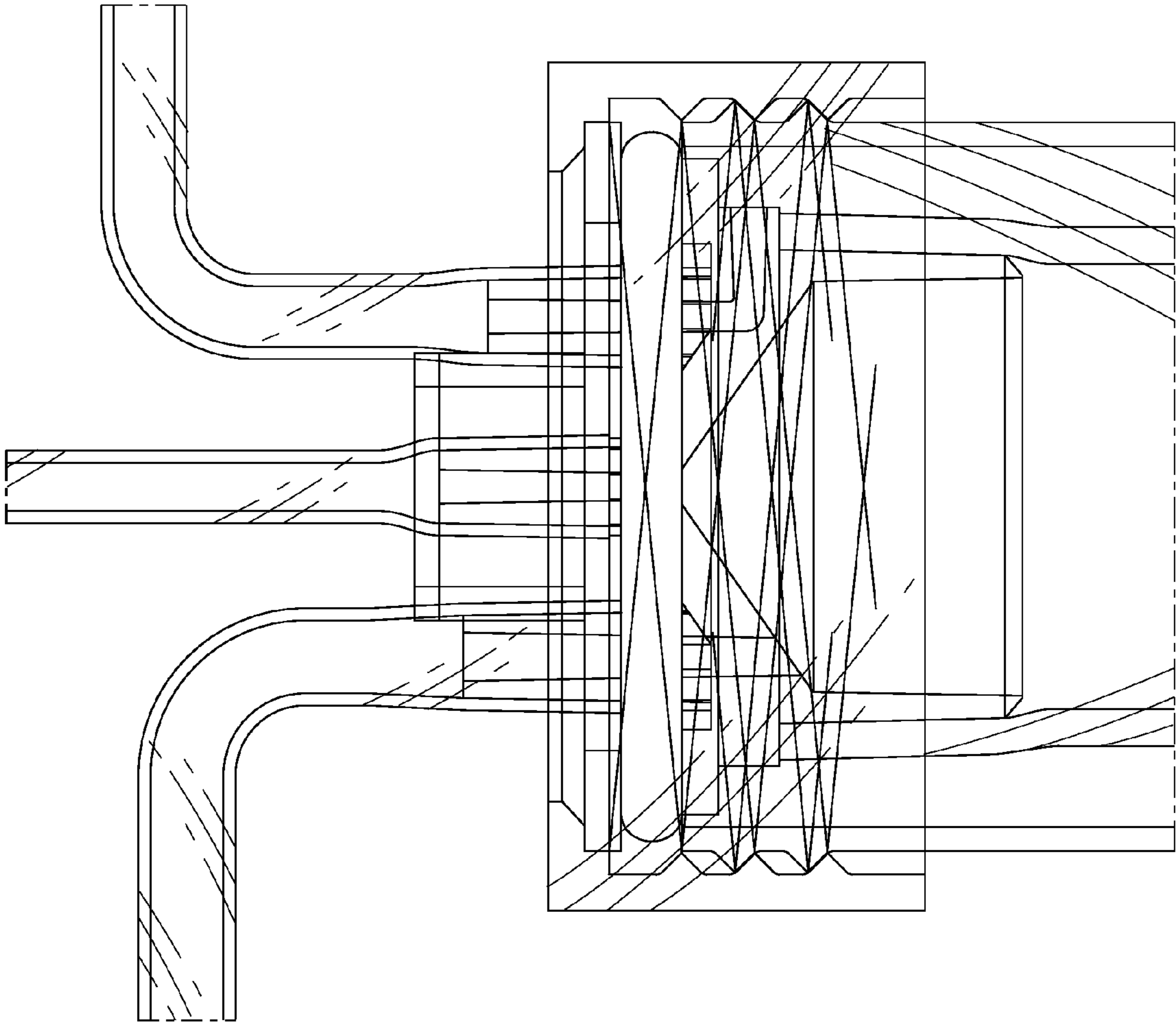
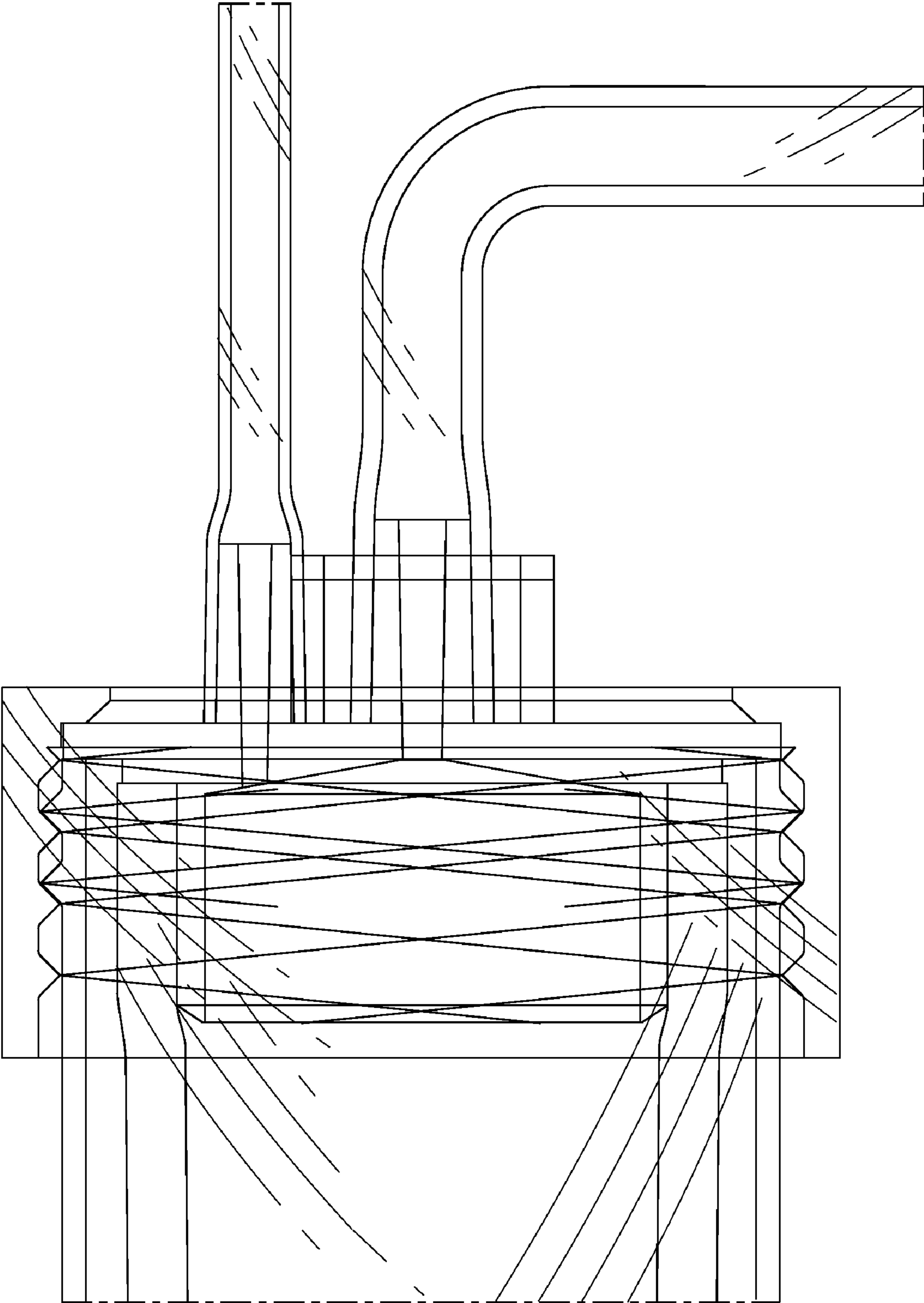


FIG.10

FIG. 11



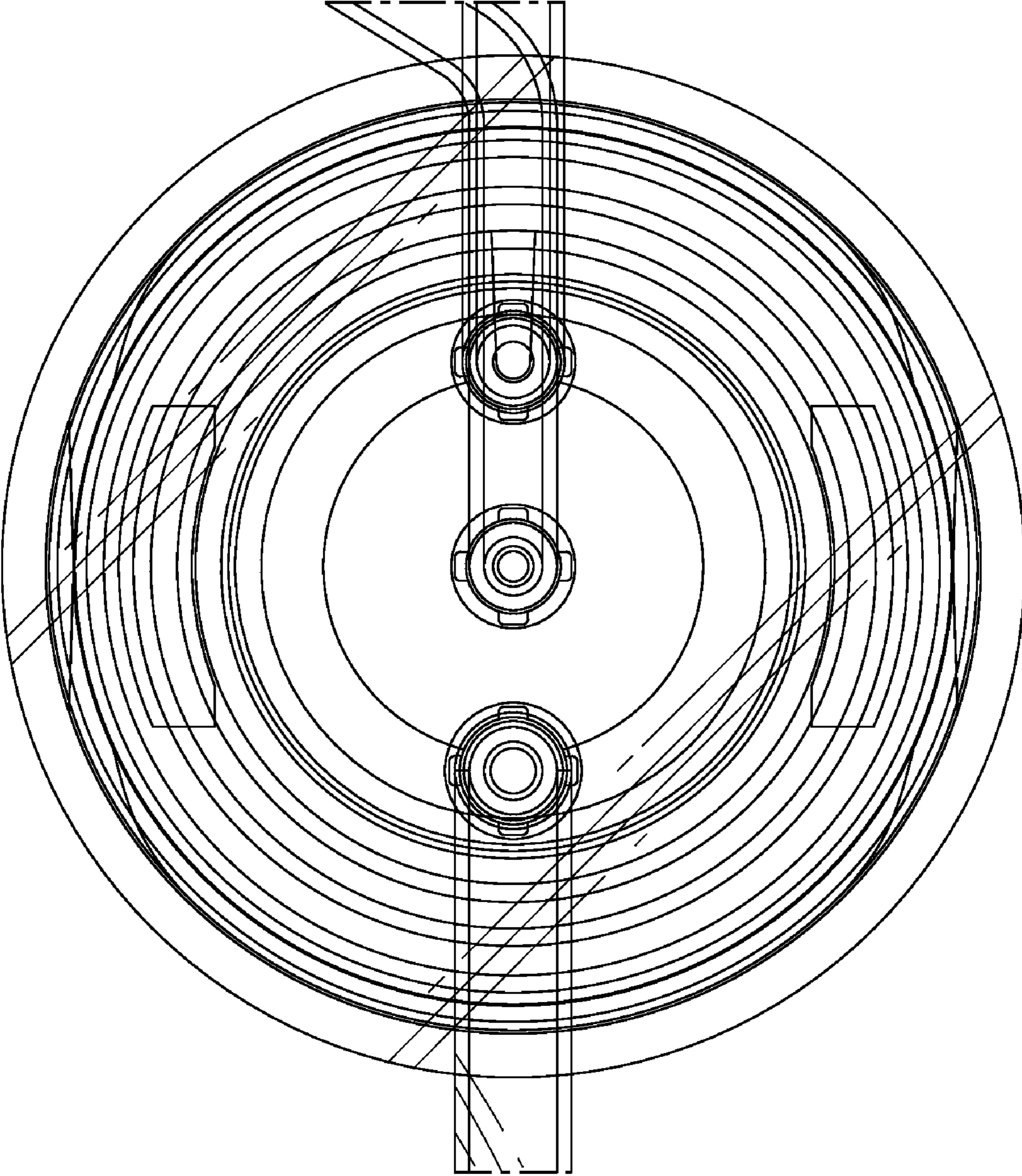


FIG.12

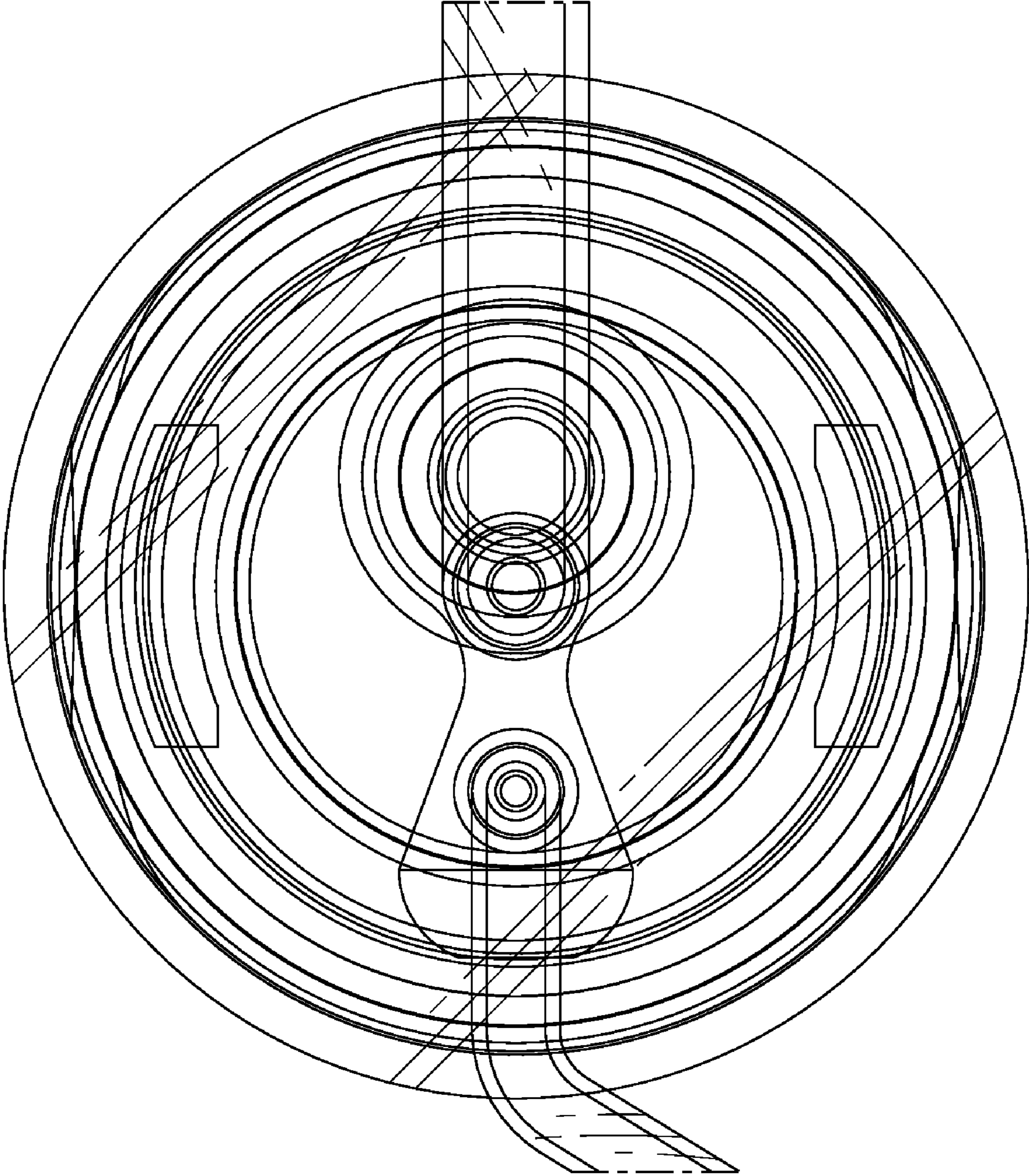


FIG.13

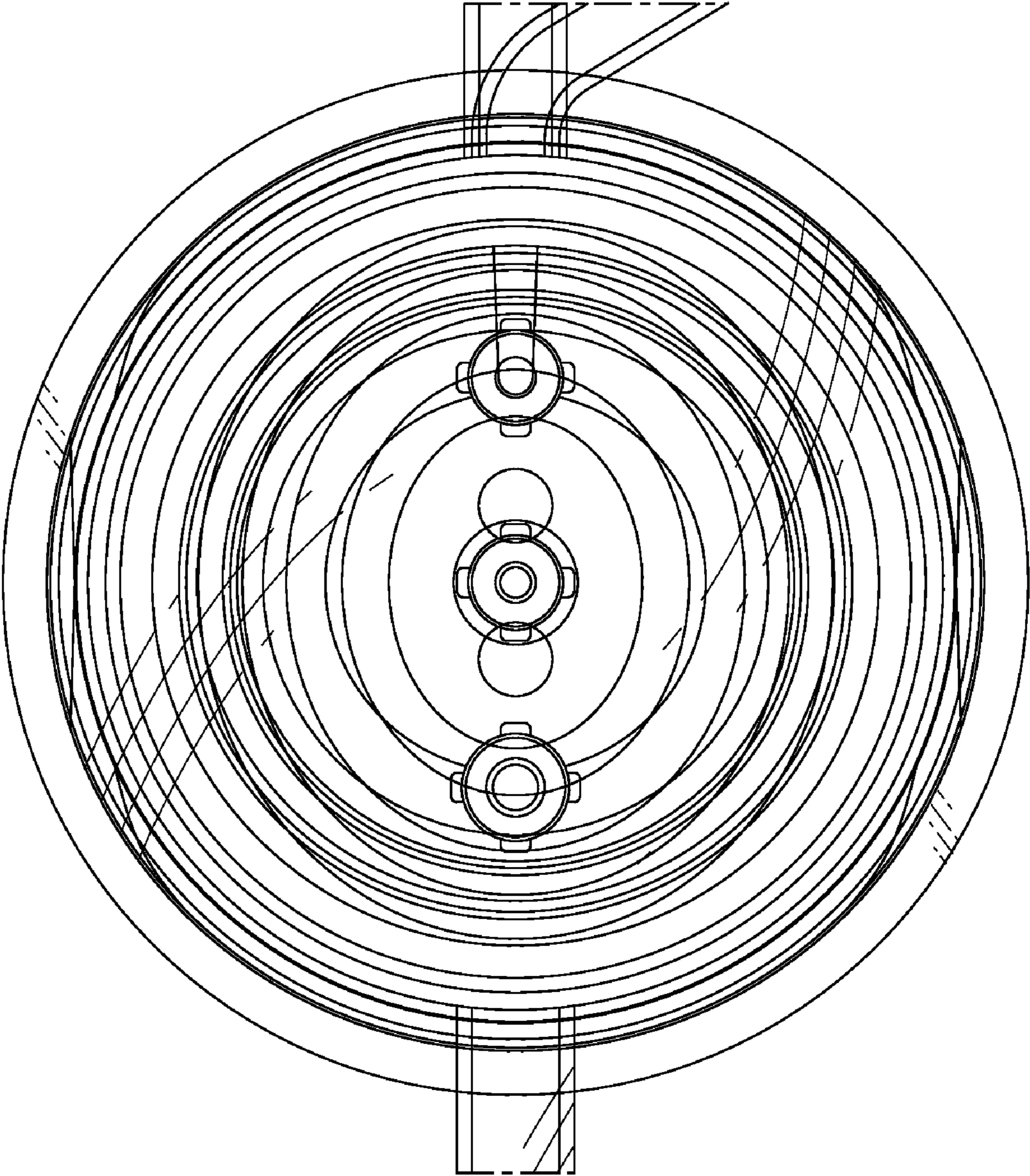


FIG.14

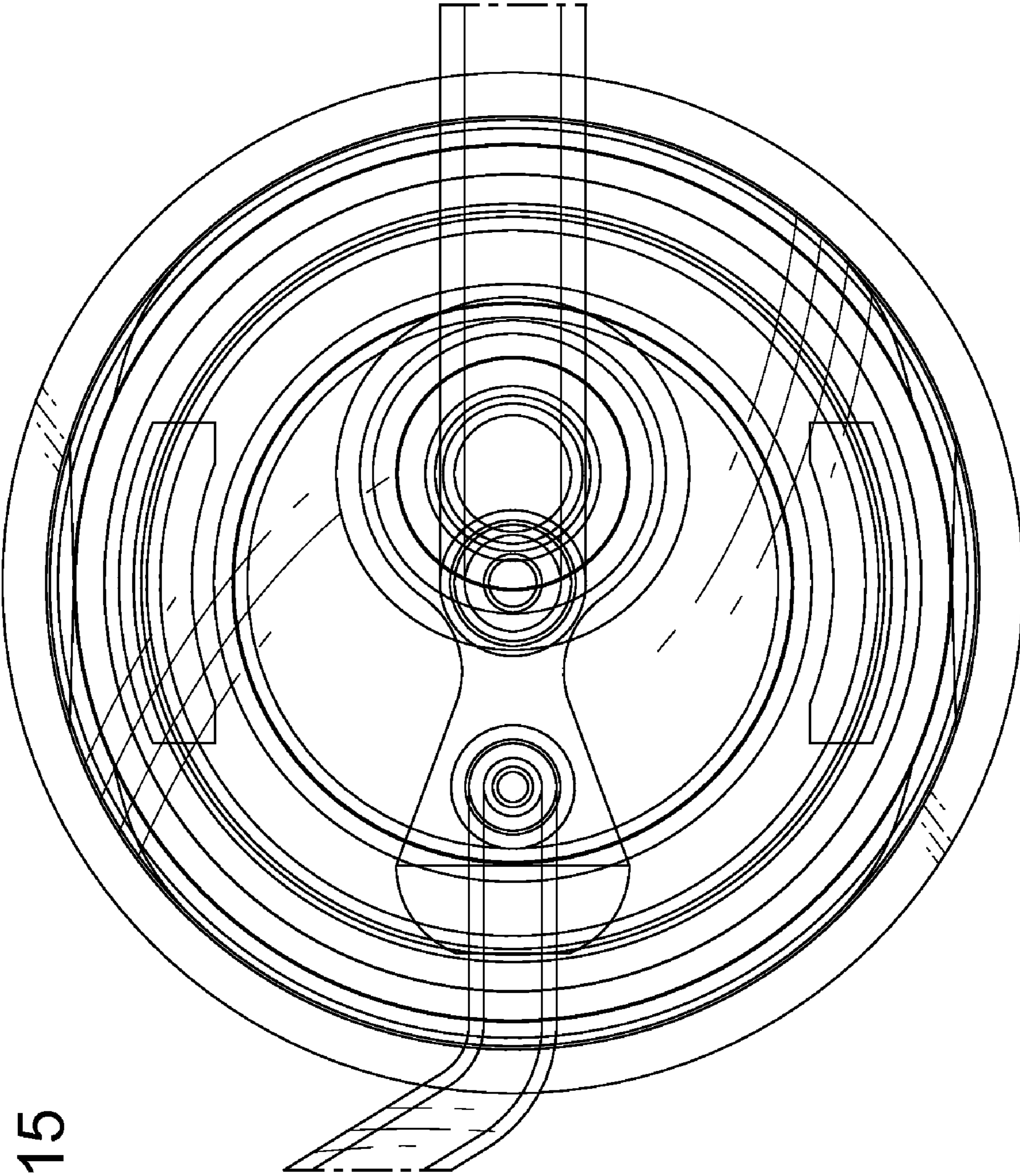


FIG.15