



US00D626644S

(12) **United States Design Patent**
Jacak et al.

(10) **Patent No.:** **US D626,644 S**
(45) **Date of Patent:** **** Nov. 2, 2010**

(54) **VENT**

(75) Inventors: **Corey Scott Jacak**, Kewaskum, WI (US); **Kenneth J. Jonas**, Mequon, WI (US); **Robert G. Penlesky**, Waukesha, WI (US)

(73) Assignee: **Broan-Nutone LLC**, Hartford, WI (US)

(**) Term: **14 Years**

(21) Appl. No.: **29/317,076**

(22) Filed: **Apr. 22, 2008**

(51) **LOC (9) Cl.** **23-04**

(52) **U.S. Cl.** **D23/393**

(58) **Field of Classification Search** D23/385-395,
D23/397, 370-373, 365, 351, 354, 399-403;
454/358-363, 309, 275-277, 284, 287-291,
454/162; D25/52

See application file for complete search history.

(56) **References Cited**

U.S. PATENT DOCUMENTS

891,967	A	6/1908	Wiemann	
2,656,784	A	10/1953	Benson	
2,730,943	A	1/1956	Klein	
2,750,869	A	6/1956	Tourville et al.	
2,754,748	A	7/1956	Daggett	
3,171,343	A	3/1965	Wexler	
3,541,945	A	11/1970	Wexler	
3,842,722	A	10/1974	Miller	
D247,510	S *	3/1978	Kujawa, Jr. D23/373
4,151,789	A	5/1979	Grobard	

Primary Examiner—David G Muller
(74) *Attorney, Agent, or Firm*—Greenberg Traurig, LLP

(57) **CLAIM**

We claim the ornamental design for a vent, as shown and described.

DESCRIPTION

FIG. 1 is a perspective view of a vent according to the present invention and illustrating one position of a cover.

FIG. 2 is a front view of the vent shown in FIG. 1.

FIG. 3 is a rear view of the vent shown in FIG. 1.

FIG. 4 is a right side view of the vent shown in FIG. 1.

FIG. 5 is a left side view of the vent shown in FIG. 1.

FIG. 6 is a top view of the vent shown in FIG. 1.

FIG. 7 is a bottom view of the vent shown in FIG. 1.

FIG. 8 is a perspective view of a vent according to the present invention and illustrating an alternate position of the cover.

FIG. 9 is a front view of the vent shown in FIG. 8.

FIG. 10 is a rear view of the vent shown in FIG. 8.

FIG. 11 is a right side view of the vent shown in FIG. 8.

FIG. 12 is a left side view of the vent shown in FIG. 8.

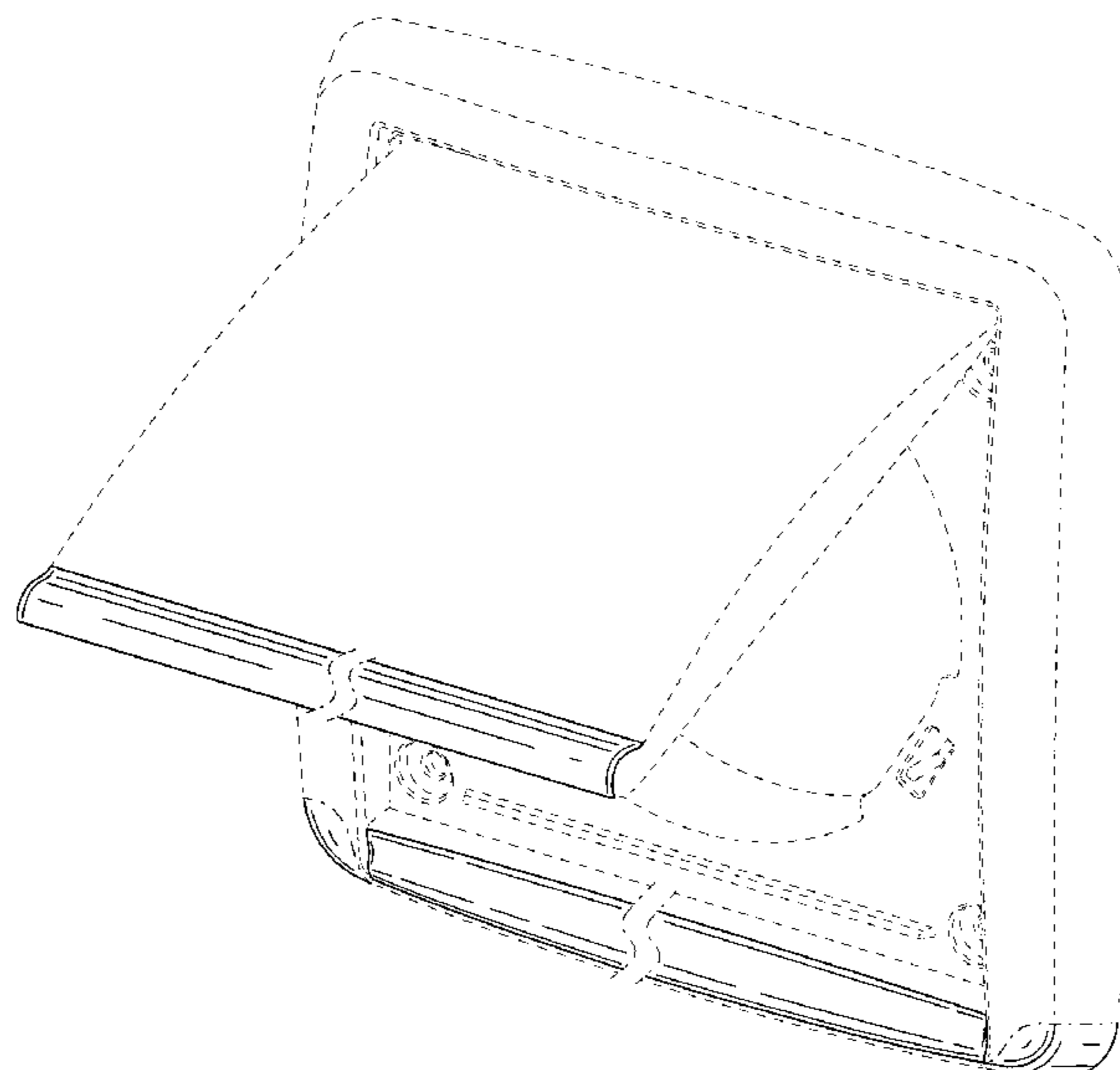
FIG. 13 is a top view of the vent shown in FIG. 8; and,

FIG. 14 is a bottom view of the vent shown in FIG. 8.

The dash-dot lines represent the boundaries of the design. The dash-dot break lines indicate that no particular length is claimed. The dashed lines in the figures illustrate portions of the design that form no part of the claim.

(Continued)

1 Claim, 10 Drawing Sheets



US D626,644 S

Page 2

U.S. PATENT DOCUMENTS

D254,247	S	*	2/1980	Le Van et al.	D23/373	6,361,433	B1	3/2002	Gray	
4,237,621	A		12/1980	Boismenu		6,682,413	B1 *	1/2004	Hoffman et al.	454/284
4,854,225	A	*	8/1989	Liebel	454/358	6,682,415	B1	1/2004	Vagedes	
5,046,408	A		9/1991	Eugenio		6,772,538	B2	8/2004	Vagedes	
D381,435	S	*	7/1997	Jensen, III	D25/52	6,974,379	B2	12/2005	Koessler	
5,716,271	A		2/1998	Paidosh		6,994,622	B2	2/2006	Koessler	
5,722,181	A		3/1998	Meyer		D524,930	S *	7/2006	Blanchard	D23/393
5,904,618	A	*	5/1999	Lewis	454/162	7,077,742	B2 *	7/2006	Stevenson et al.	454/259
5,916,023	A		6/1999	Meyer		D558,321	S *	12/2007	Kramer et al.	D23/370
6,165,065	A	*	12/2000	Pasij	454/358	D606,641	S *	12/2009	Kim et al.	D23/351
6,203,423	B1	*	3/2001	Craw et al.	454/359	7,651,390	B1 *	1/2010	Profeta et al.	454/284
						2007/0010191	A1	1/2007	Vanden Bosch et al.	

* cited by examiner

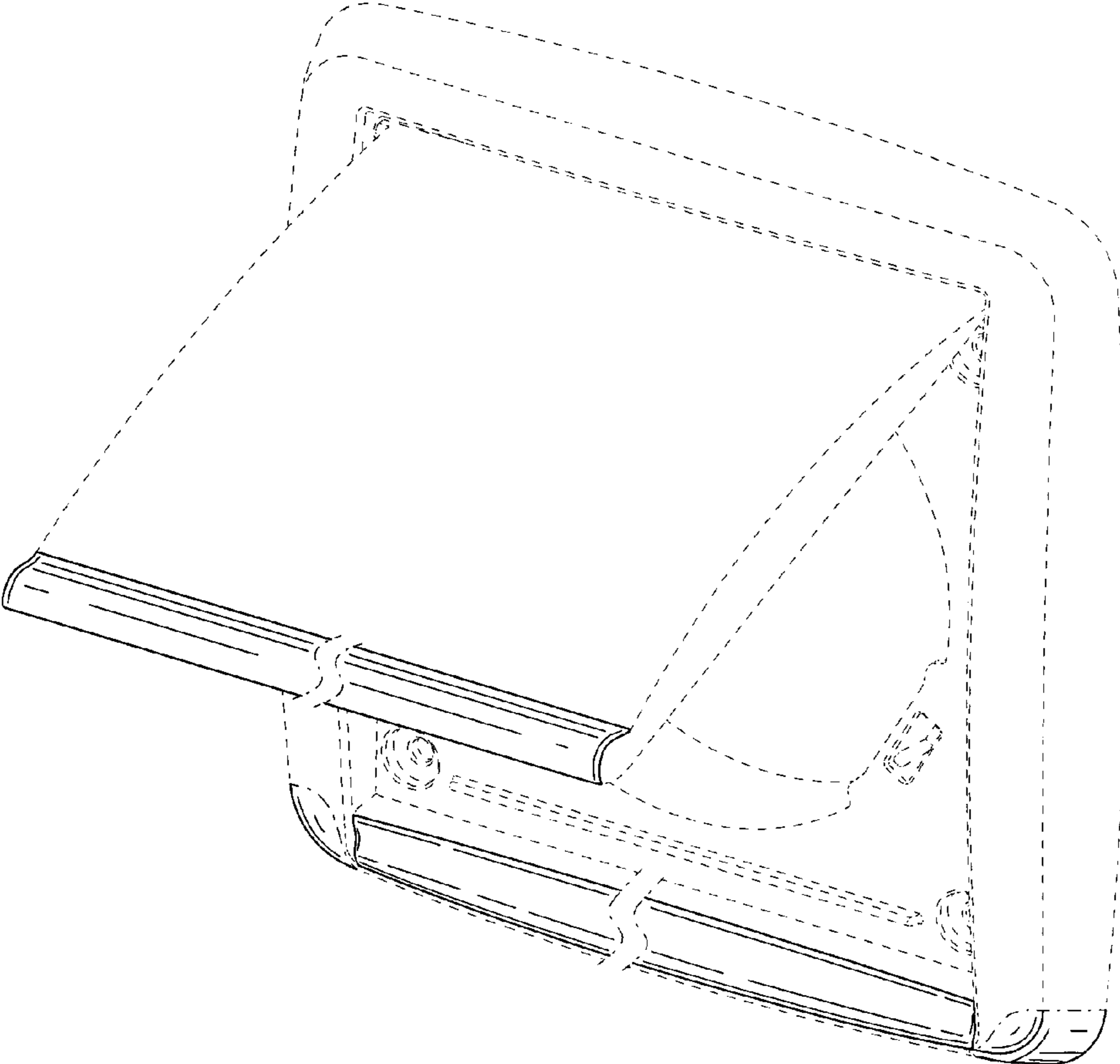


FIG. 1

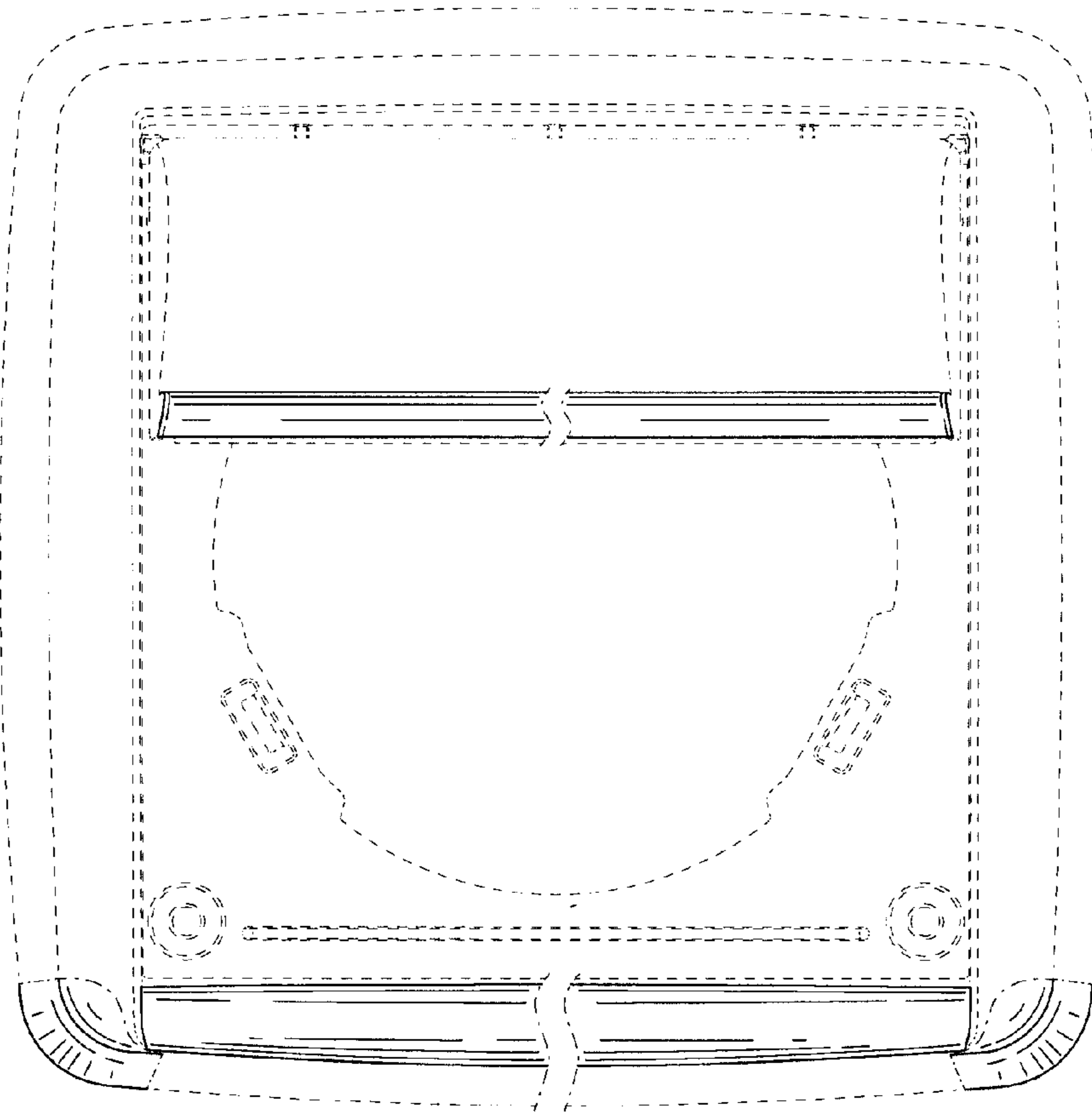


FIG. 2

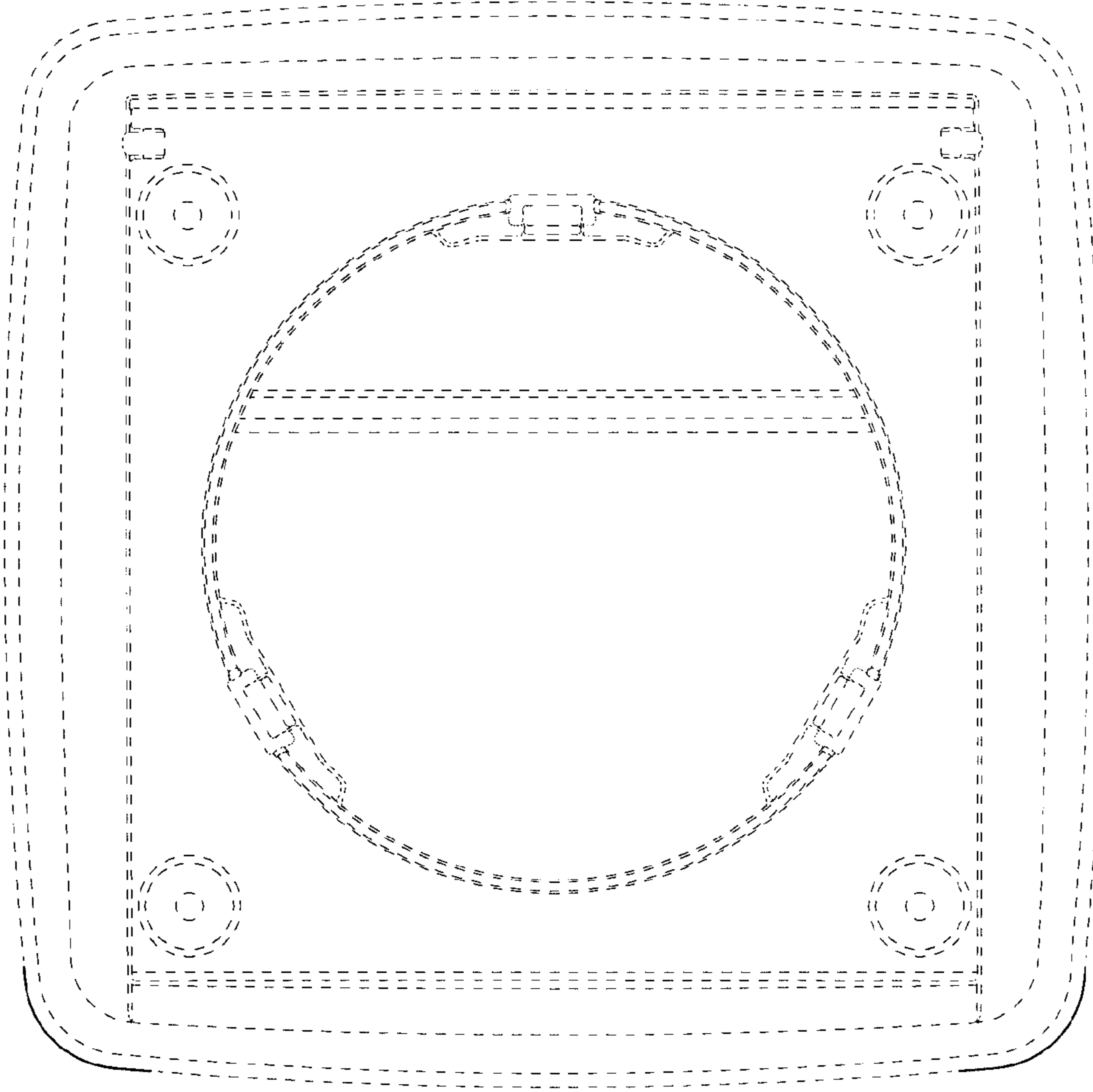


FIG. 3

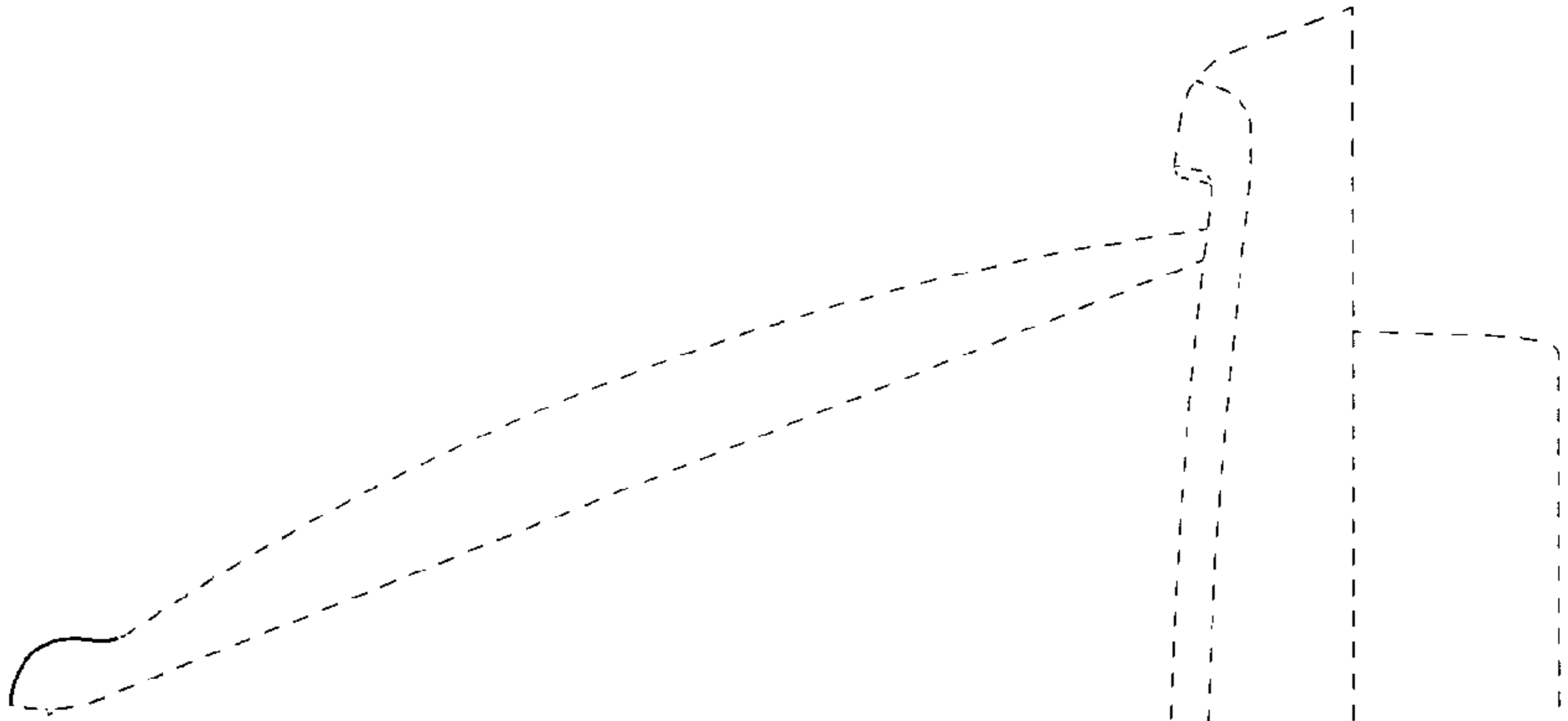


FIG. 4

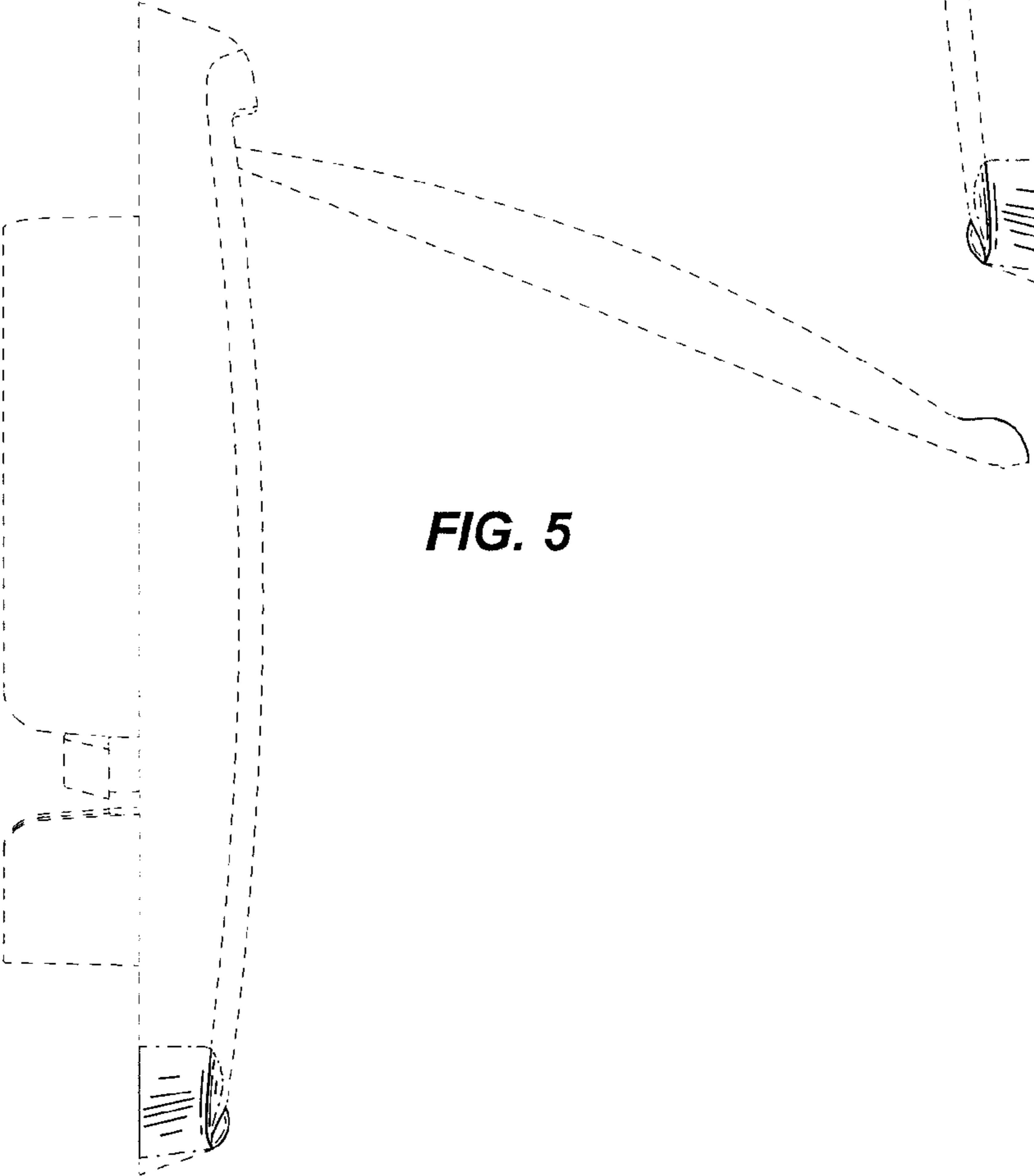


FIG. 5

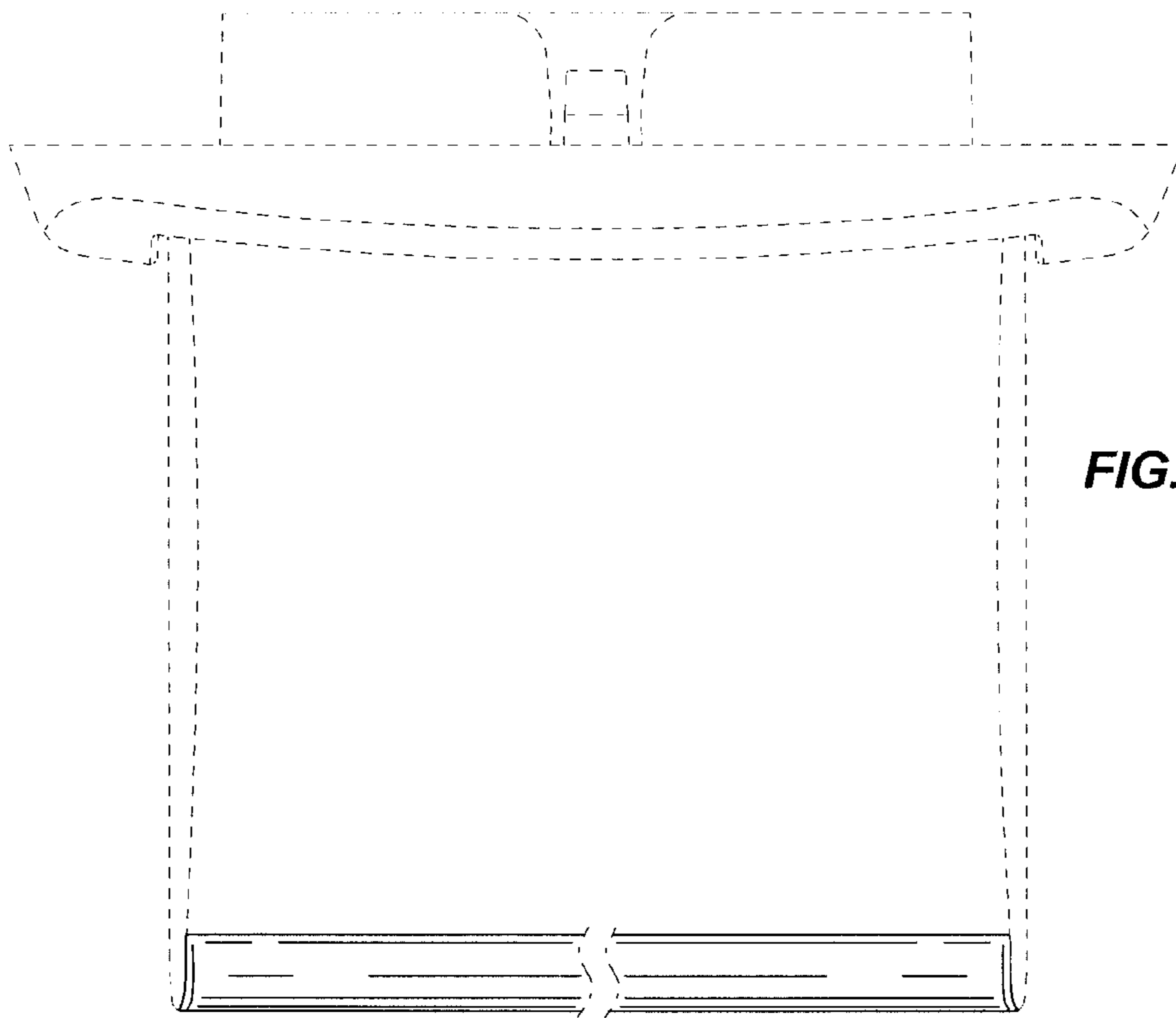


FIG. 6

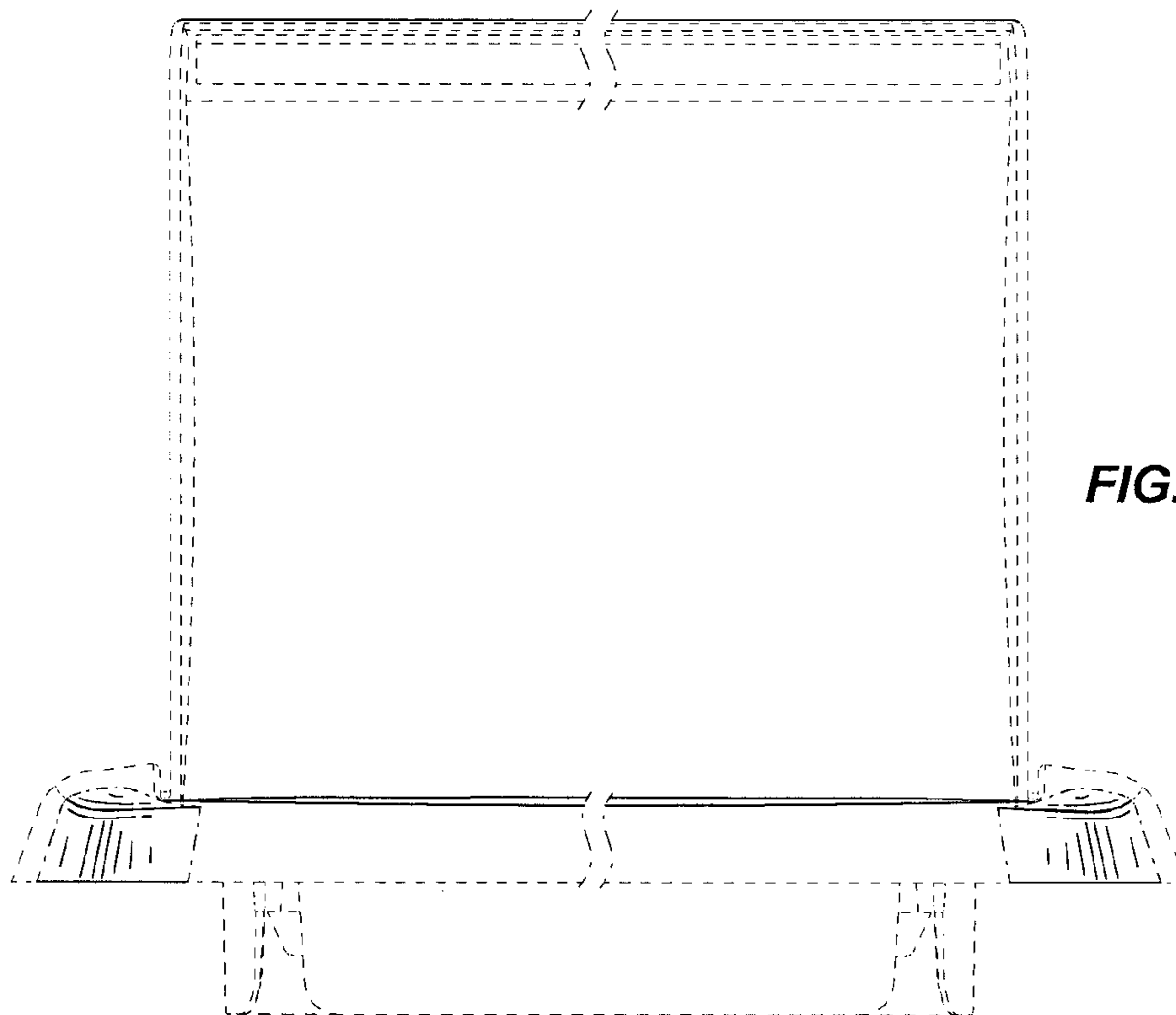


FIG. 7

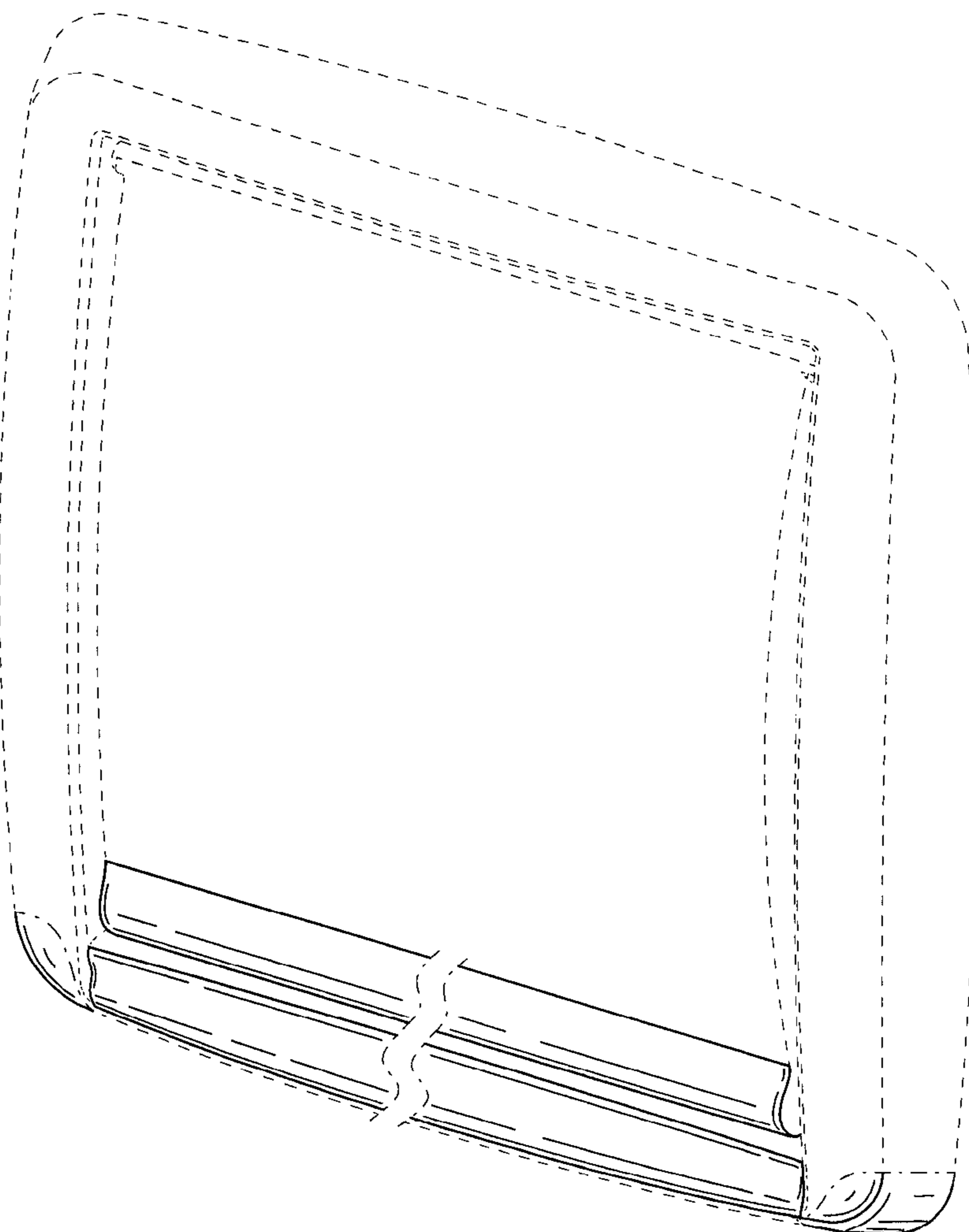


FIG. 8

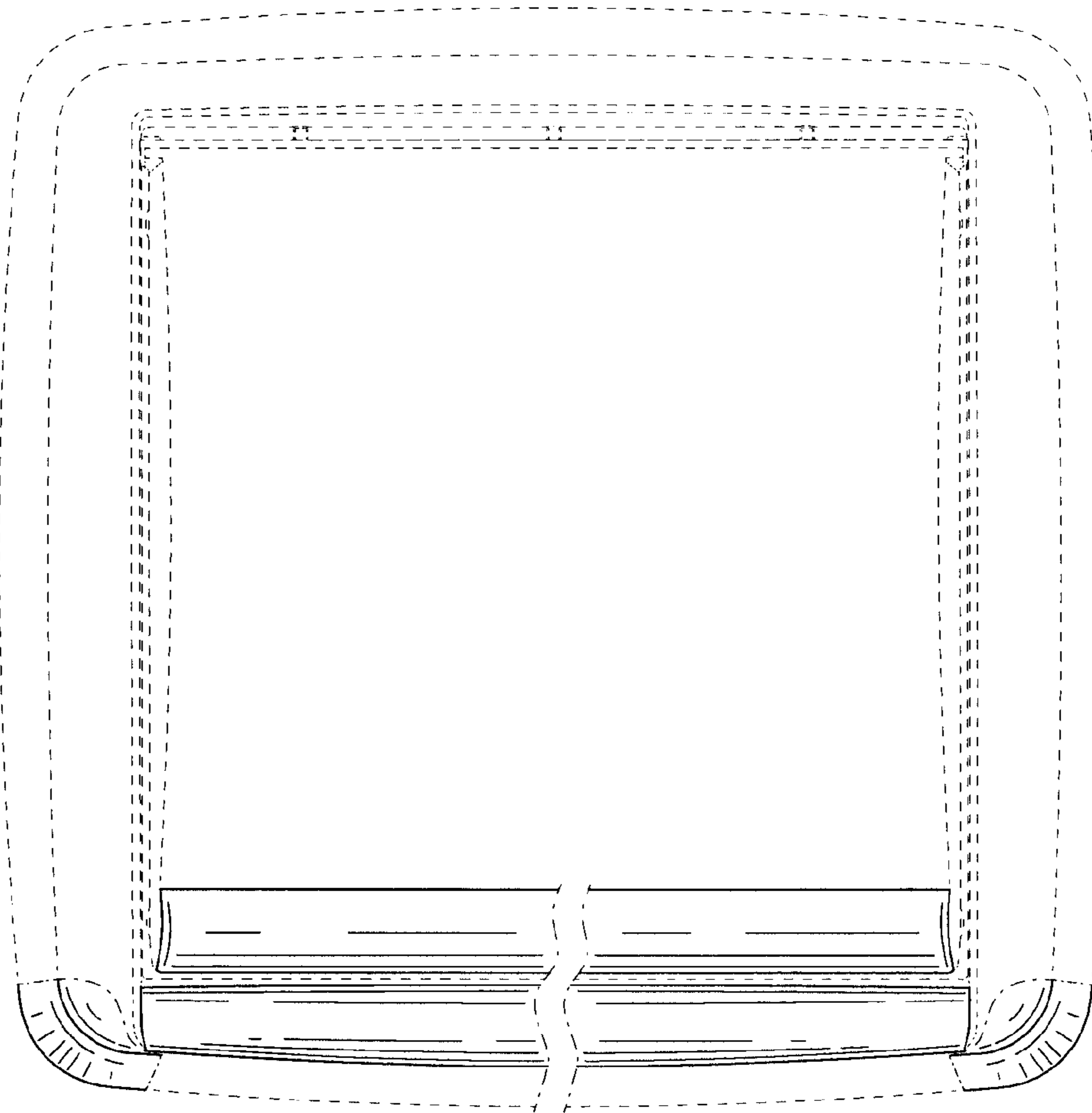


FIG. 9

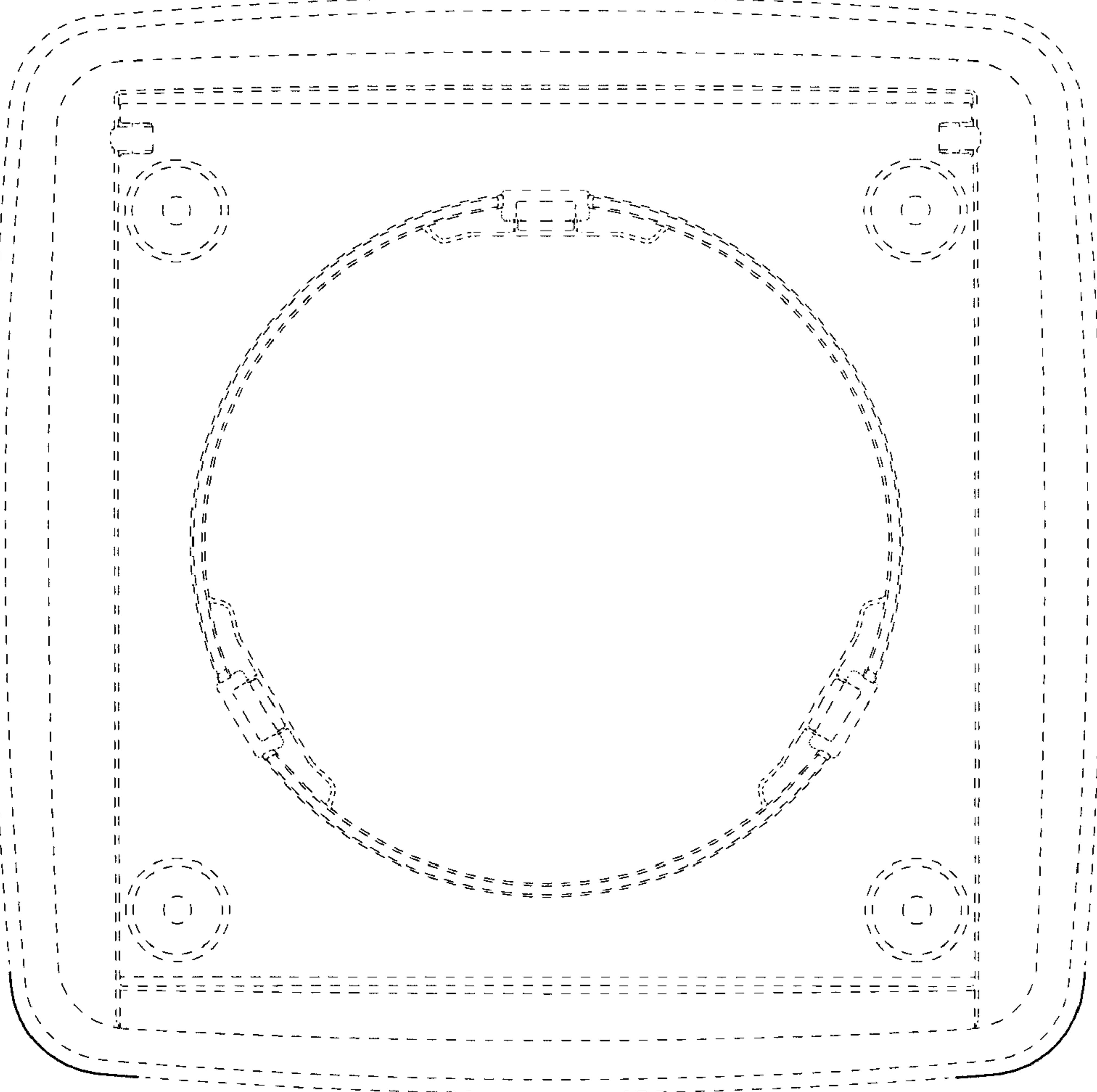


FIG. 10

FIG. 11

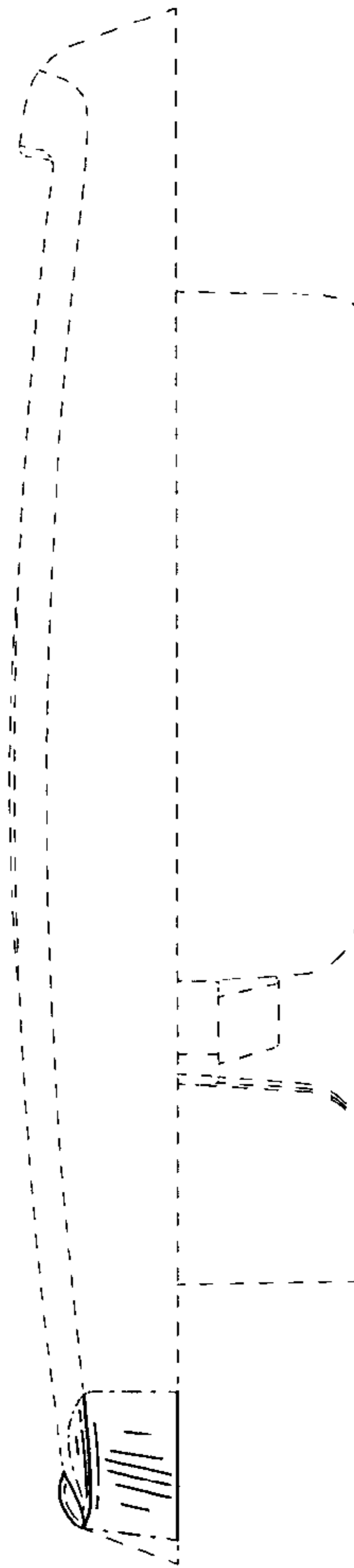
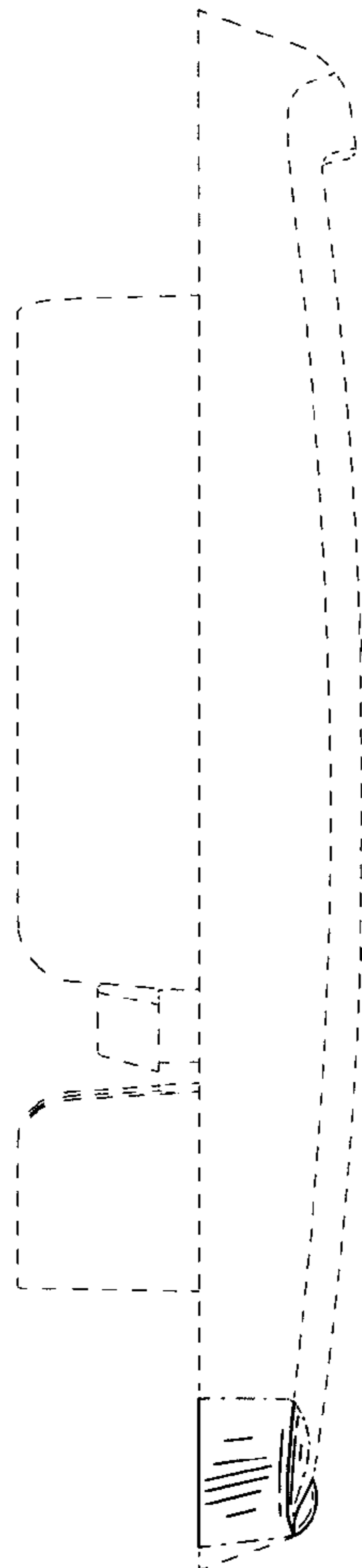


FIG. 12



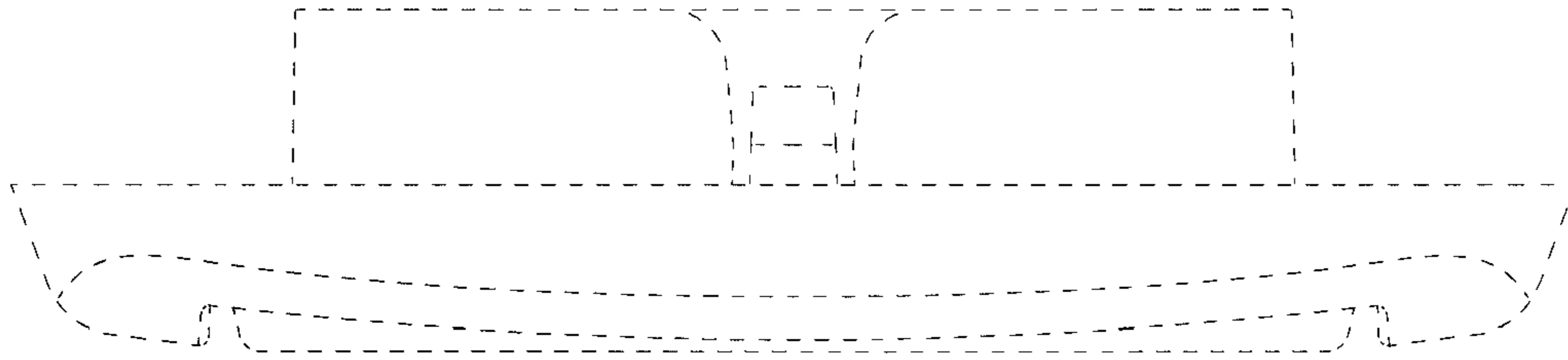


FIG. 13

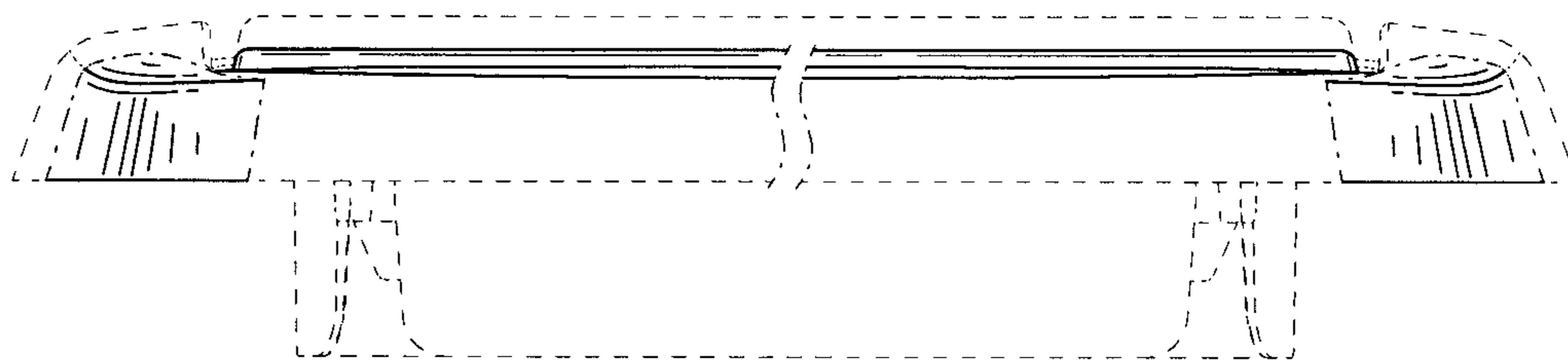


FIG. 14