



US00D626643S

(12) **United States Design Patent**
Situ et al.

(10) **Patent No.:** **US D626,643 S**
(45) **Date of Patent:** **** Nov. 2, 2010**

(54) **WAVY FAN BLADE**

(75) Inventors: **Hanson Situ**, Gilbert, AZ (US); **Yousef Jarrah**, Casa Grande, AZ (US)

(73) Assignee: **Minebea Co., Ltd.** (JP)

(**) Term: **14 Years**

(21) Appl. No.: **29/305,056**

(22) Filed: **Mar. 13, 2008**

(51) **LOC (9) Cl.** **23-04**

(52) **U.S. Cl.** **D23/379**

(58) **Field of Classification Search** D23/377,
D23/379, 385, 411, 413; 416/5
See application file for complete search history.

(56) **References Cited**

U.S. PATENT DOCUMENTS

D368,772 S * 4/1996 Liao D23/411
D453,827 S * 2/2002 Kuo et al. D23/413
D486,905 S * 2/2004 Wang D23/379

D506,823 S * 6/2005 Chiu et al. D23/379
D559,967 S 1/2008 Lee et al.
D559,968 S 1/2008 Lee et al.

* cited by examiner

Primary Examiner—Lisa P Lichtenstein

(74) *Attorney, Agent, or Firm*—Townsend and Townsend and Crew LLP

(57) **CLAIM**

The ornamental design for a wavy fan blade, as shown and described.

DESCRIPTION

FIG. 1 is a front view of wavy fan blade showing my new design;

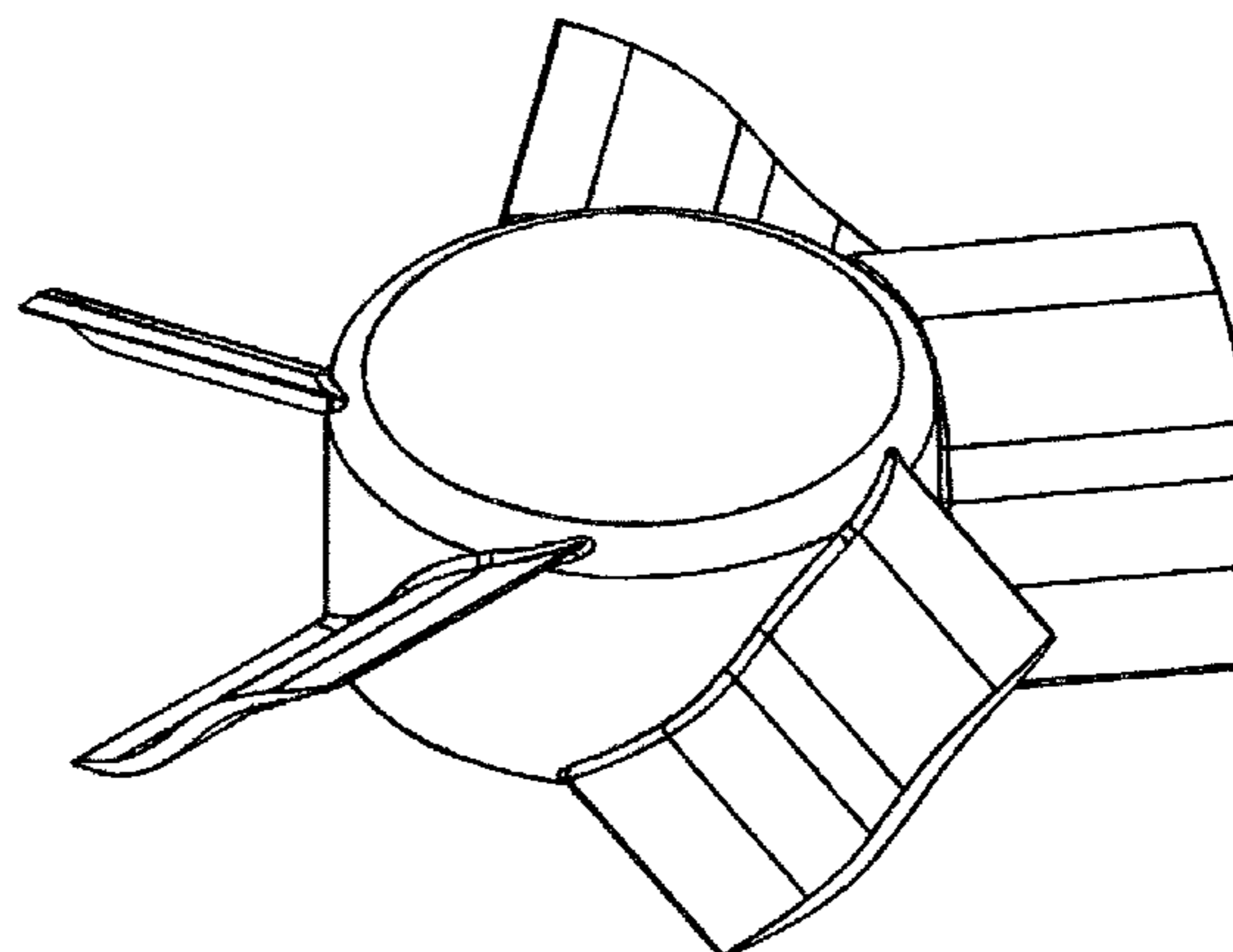
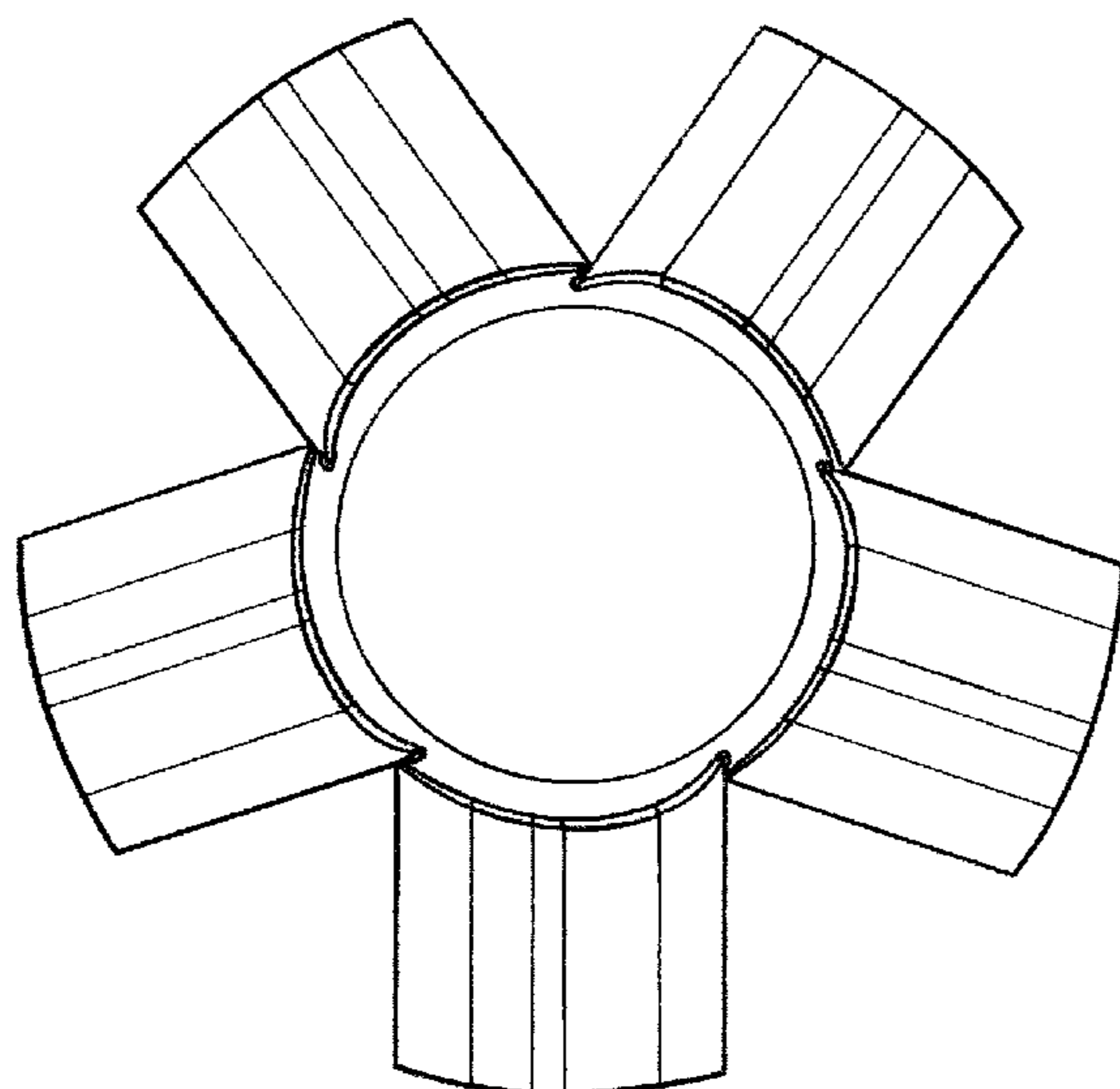
FIG. 2 is a rear view of the wavy fan blade;

FIG. 3 is a radial view of the wavy fan blade;

FIG. 4 is a front elevational view of the wavy fan blade; and,

FIG. 5 is a rear elevational view of the wavy fan blade.

1 Claim, 5 Drawing Sheets



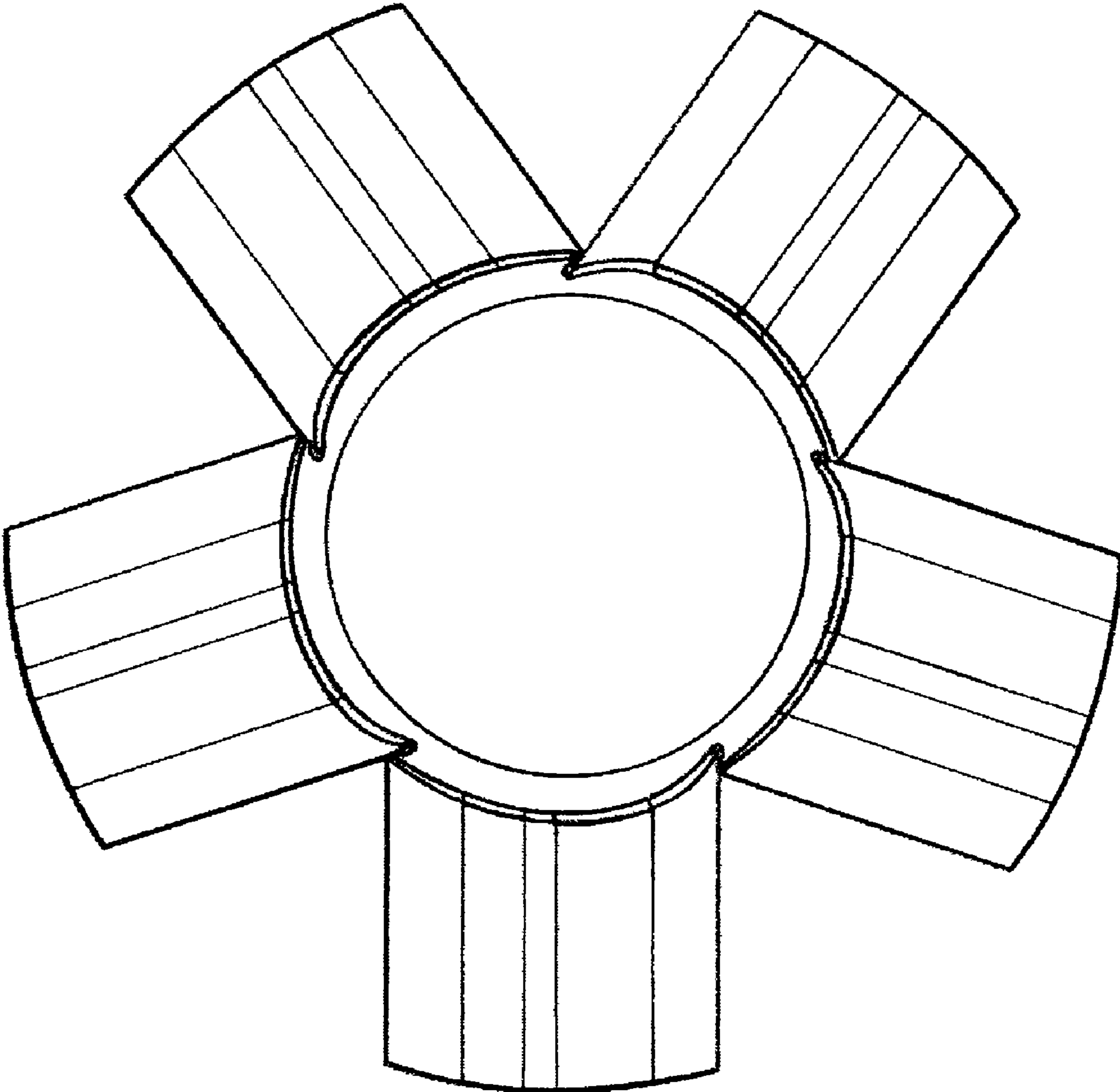


FIGURE 1

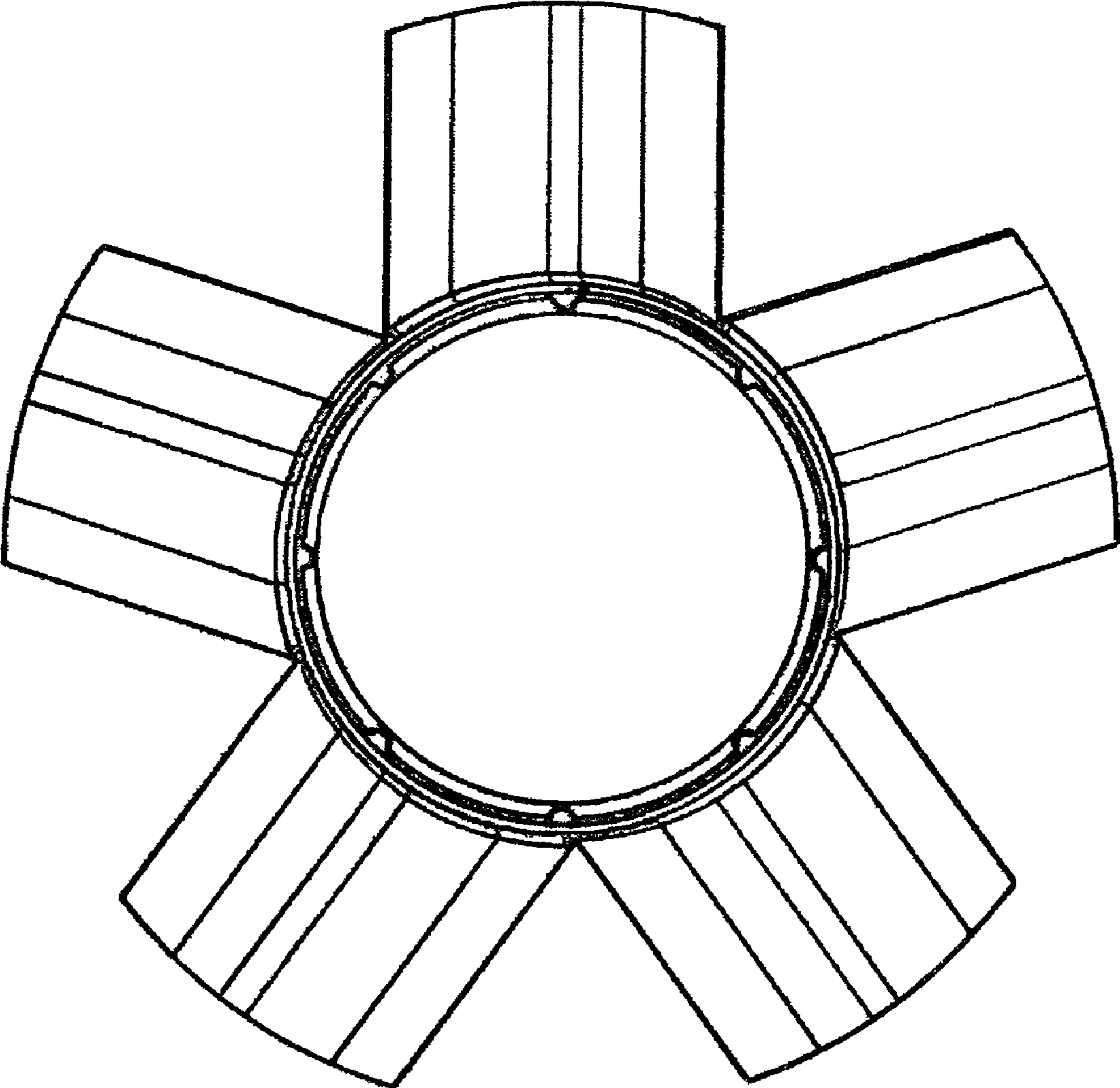


FIGURE 2

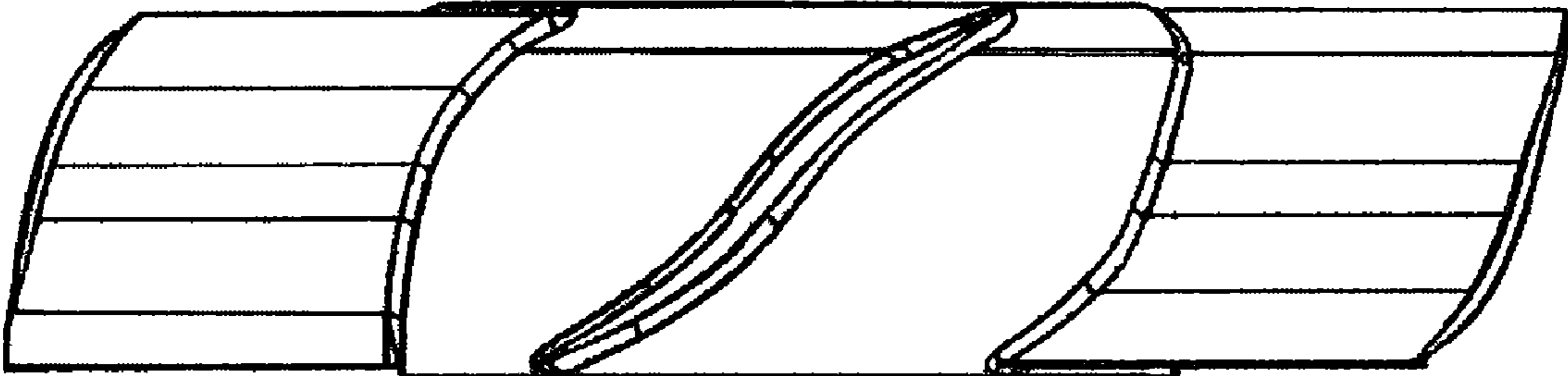


FIGURE 3

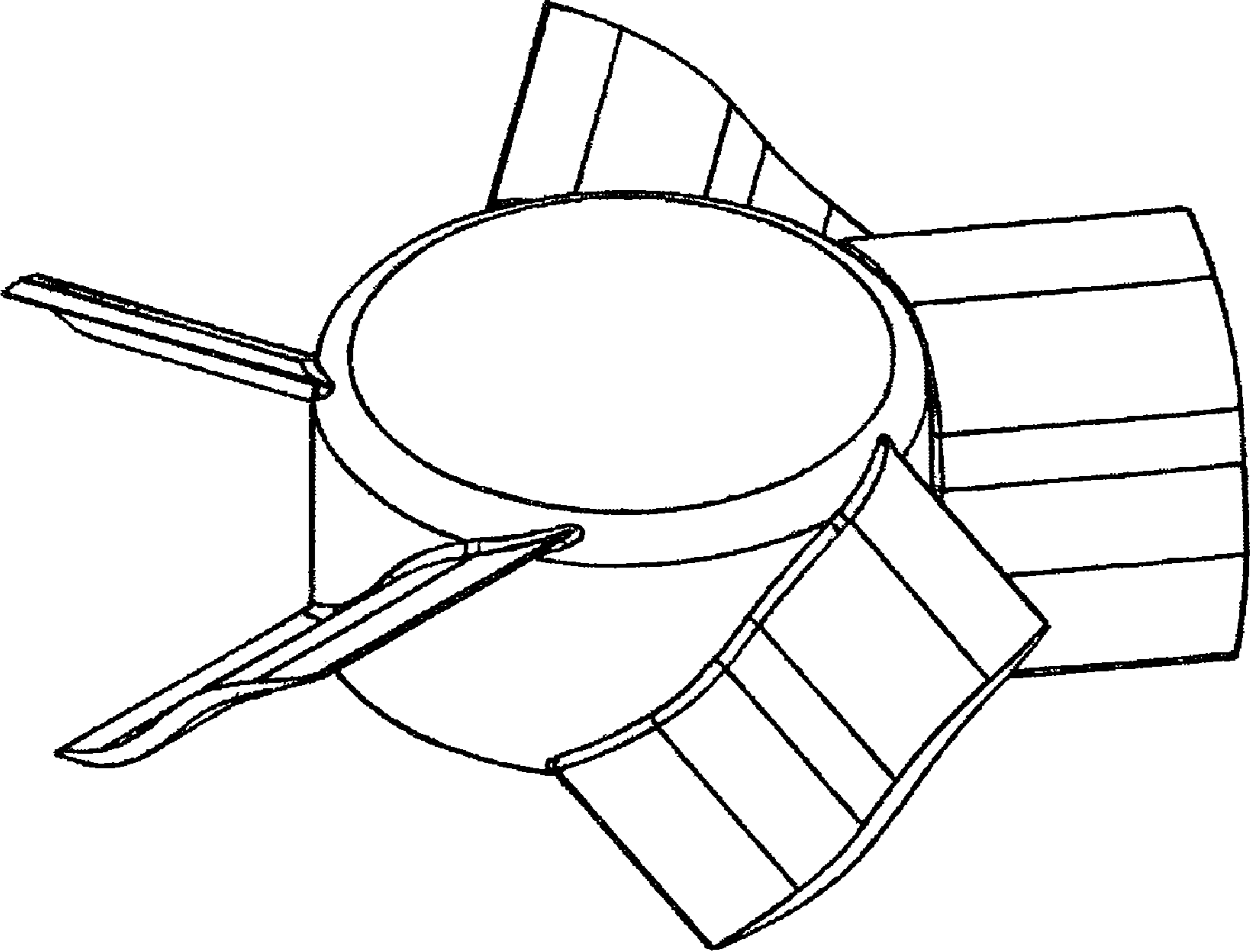


FIGURE 4

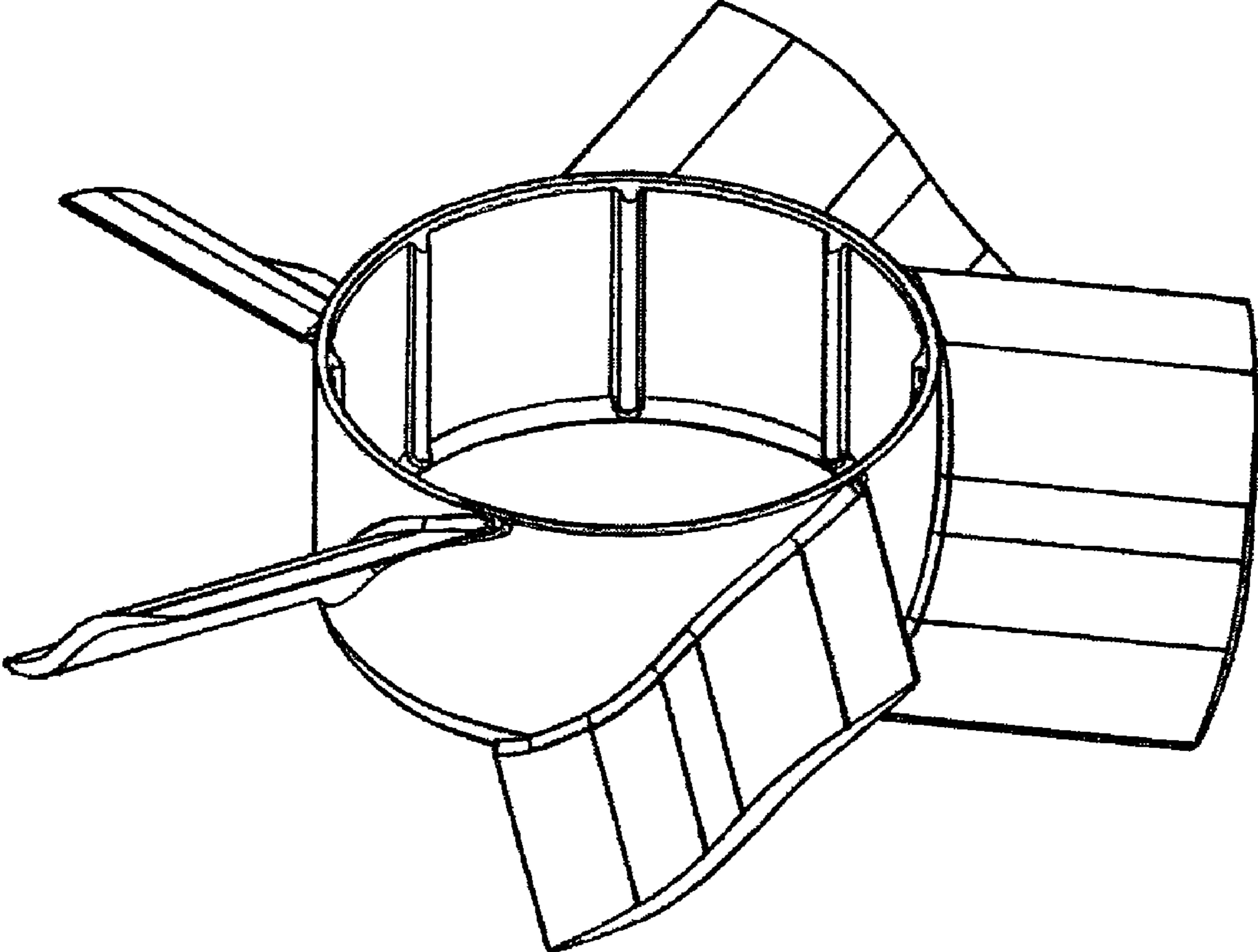


FIGURE 5