



US00D626641S

(12) **United States Design Patent**  
**Ediger et al.**

(10) **Patent No.:** **US D626,641 S**

(45) **Date of Patent:** **\*\* Nov. 2, 2010**

(54) **HEATER**

D597,641 S \* 8/2009 Israel et al. .... D23/335

(75) Inventors: **Glen W. Ediger**, North Newton, KS (US); **Gary P. Israel**, Andover, KS (US)

\* cited by examiner

(73) Assignee: **Vovnado Air LLC**, Andover, KS (US)

*Primary Examiner*—T. Chase Nelson  
*Assistant Examiner*—Ania K Dworzecka  
(74) *Attorney, Agent, or Firm*—Advent IP

(\*\*) Term: **14 Years**

(21) Appl. No.: **29/356,851**

(57) **CLAIM**

(22) Filed: **Mar. 3, 2010**

The ornamental design for a heater, as shown and described.

(51) **LOC (9) Cl.** ..... **23-03**

(52) **U.S. Cl.** ..... **D23/335**

(58) **Field of Classification Search** ..... D23/314,  
D23/332, 335–350, 378, 370, 381, 354, 351,  
D23/386, 333, 328, 353, 361, 385, 417, 357;  
392/365, 367, 424, 383, 411, 360, 369, 373–376;  
126/183, 110 B, 91 A, 92 A, 500, 544, 547;  
431/125

**DESCRIPTION**

See application file for complete search history.

FIG. 1 is a front left perspective view of a heater showing our new design;

FIG. 2 is a front right perspective view;

FIG. 3 is a left rear perspective view;

FIG. 4 is a right rear perspective view;

FIG. 5 is a front elevation view;

FIG. 6 is a rear elevation view;

FIG. 7 is a right side elevation view;

FIG. 8 is a left side elevation view; and,

FIG. 9 is a top plan view.

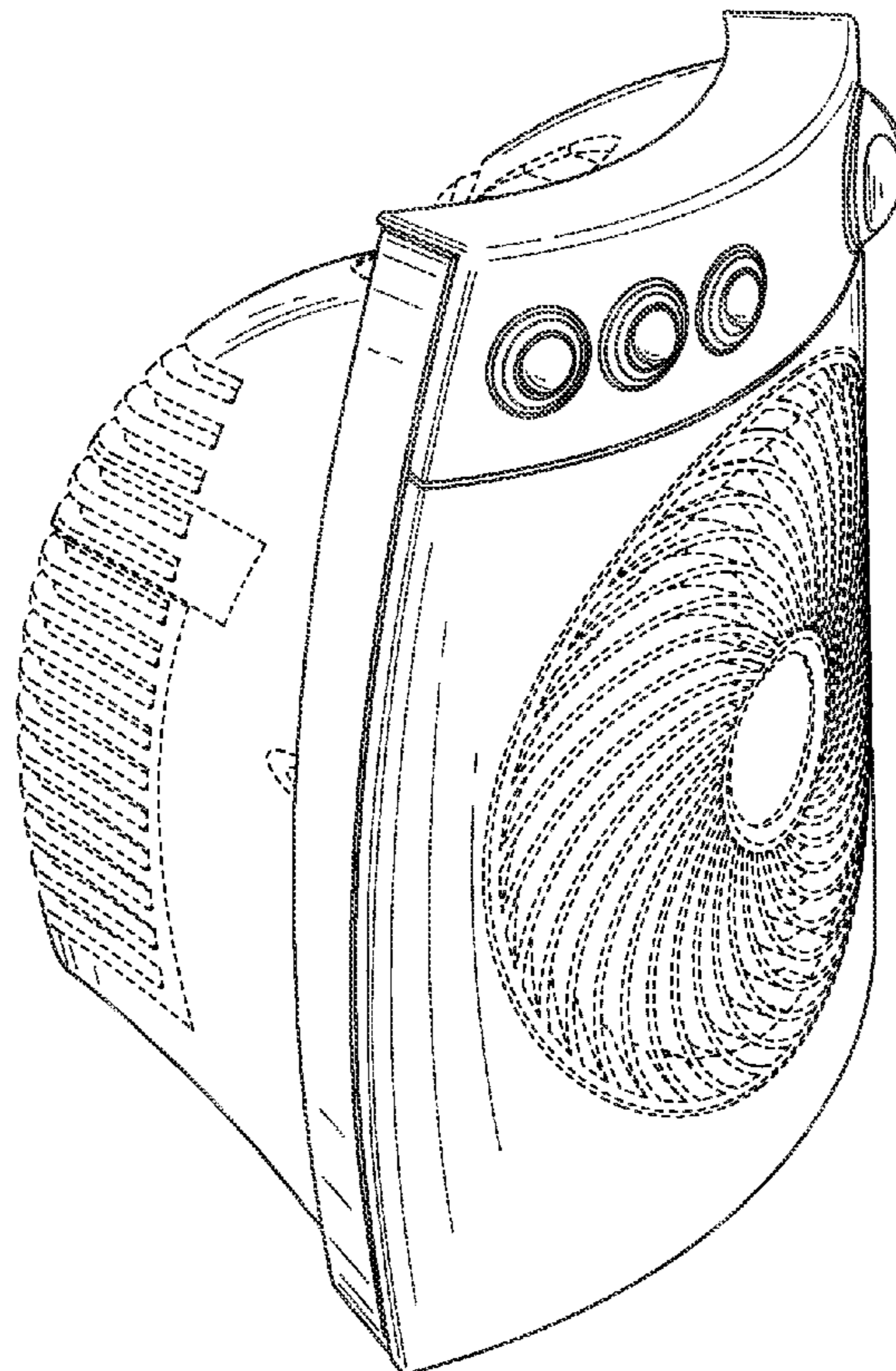
In the drawings, the broken lines depict unclaimed subject matter only and form no part of the claimed design.

(56) **References Cited**

**U.S. PATENT DOCUMENTS**

- D426,876 S \* 6/2000 Rossman et al. .... D23/341
- D456,499 S \* 4/2002 Ching ..... D23/335
- D467,325 S \* 12/2002 Ching ..... D23/335
- D471,969 S \* 3/2003 Krauss ..... D23/337
- D597,640 S \* 8/2009 Israel et al. .... D23/335

**1 Claim, 9 Drawing Sheets**



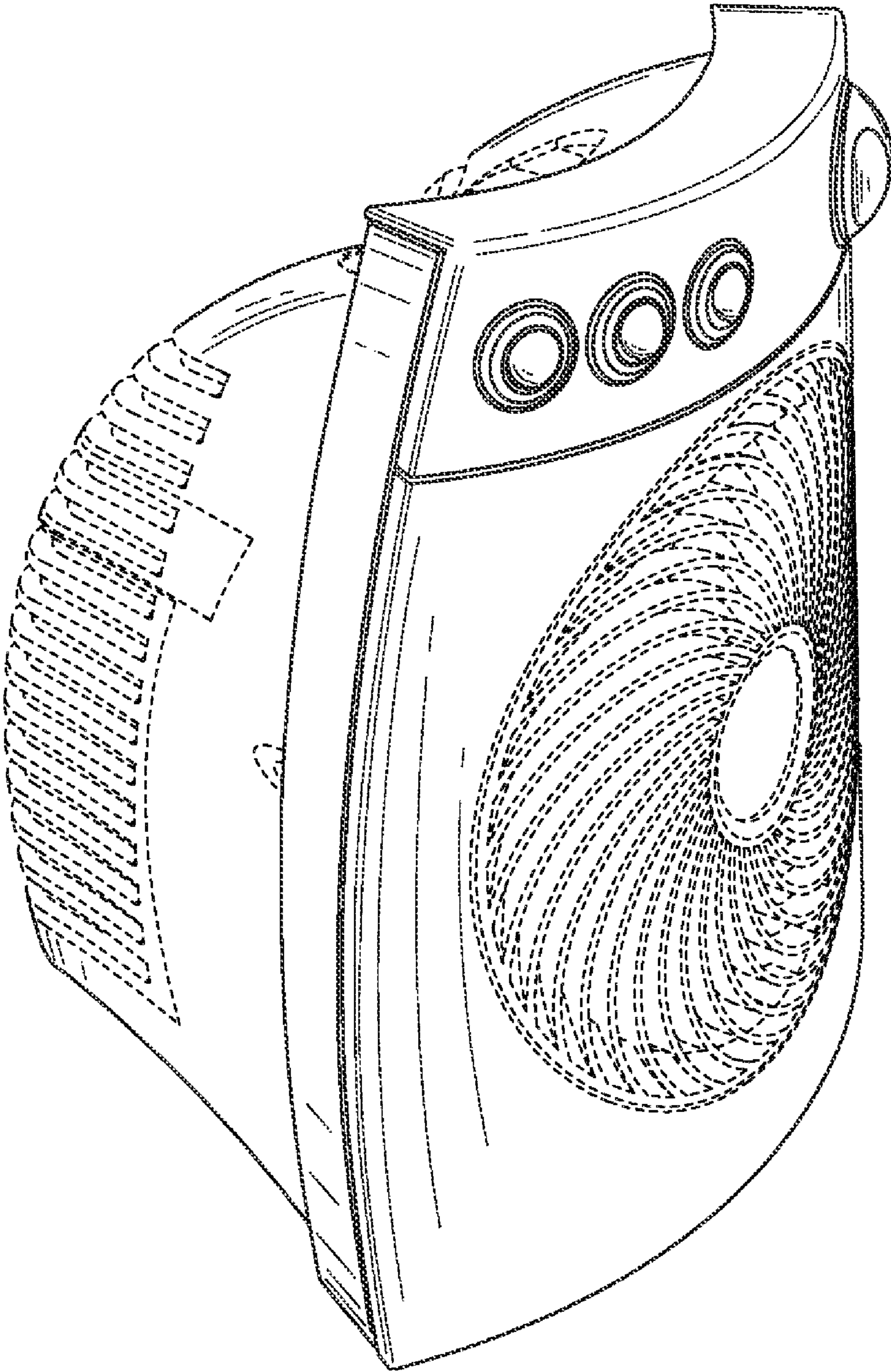


FIG. 1



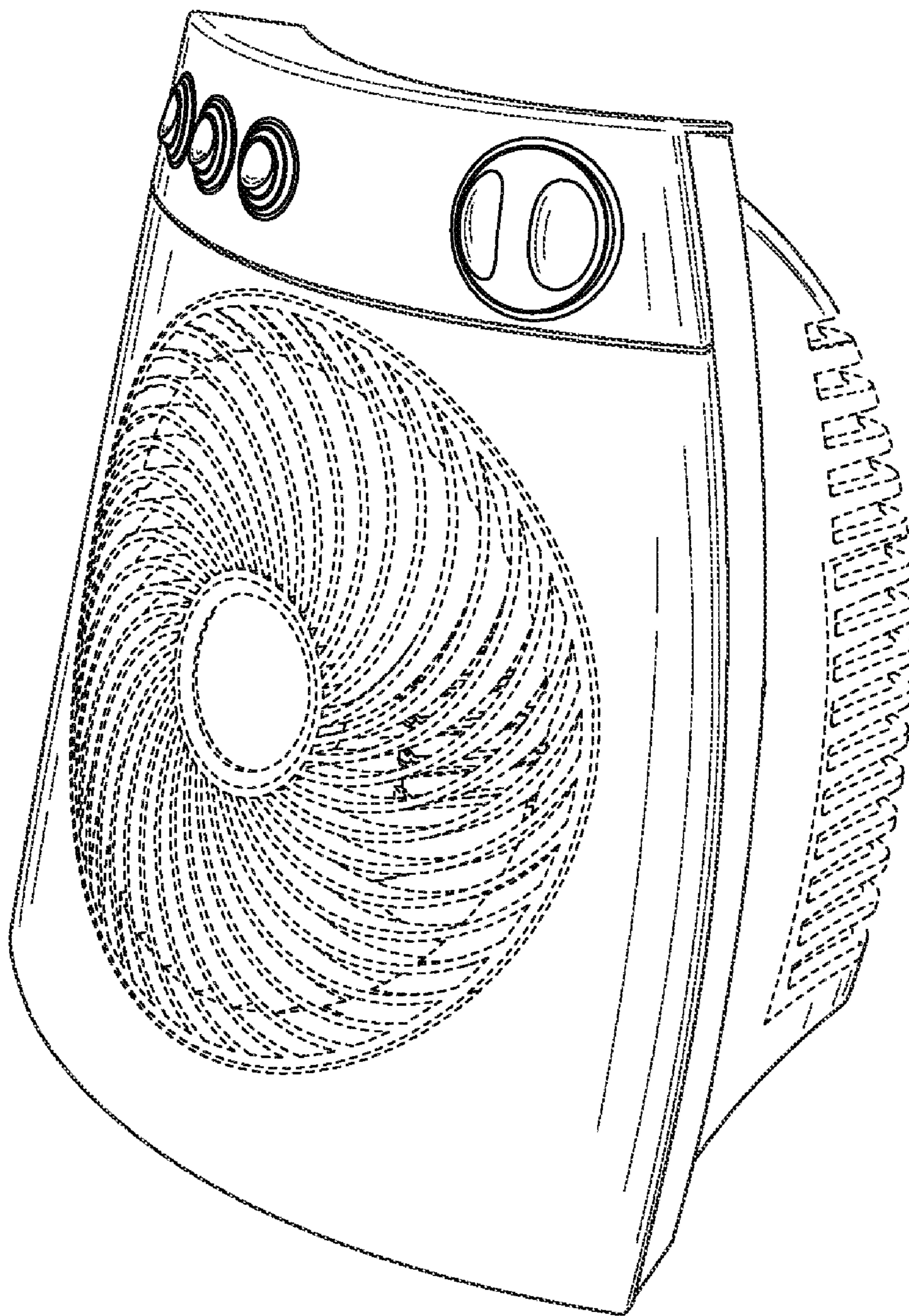


FIG. 2

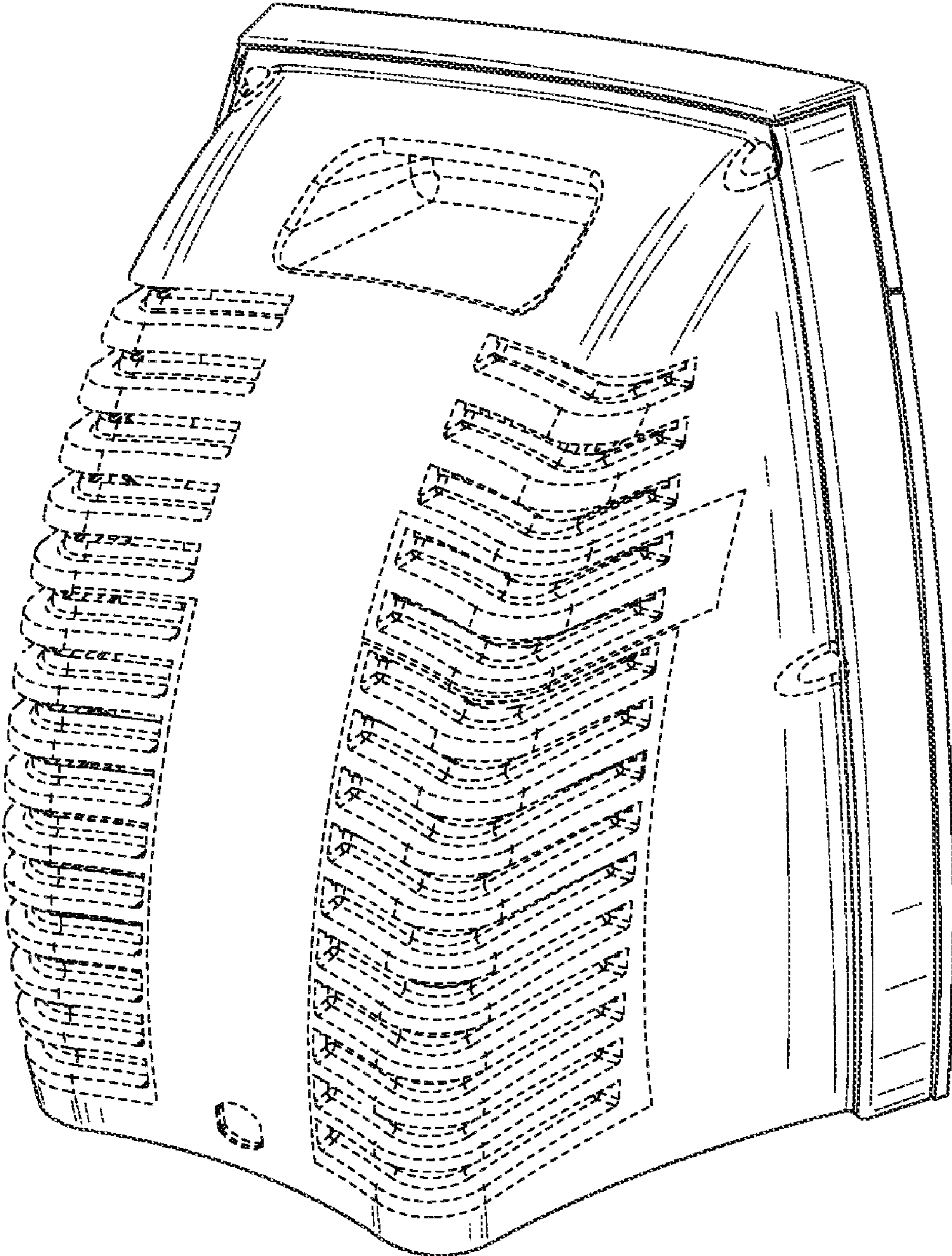


FIG. 3

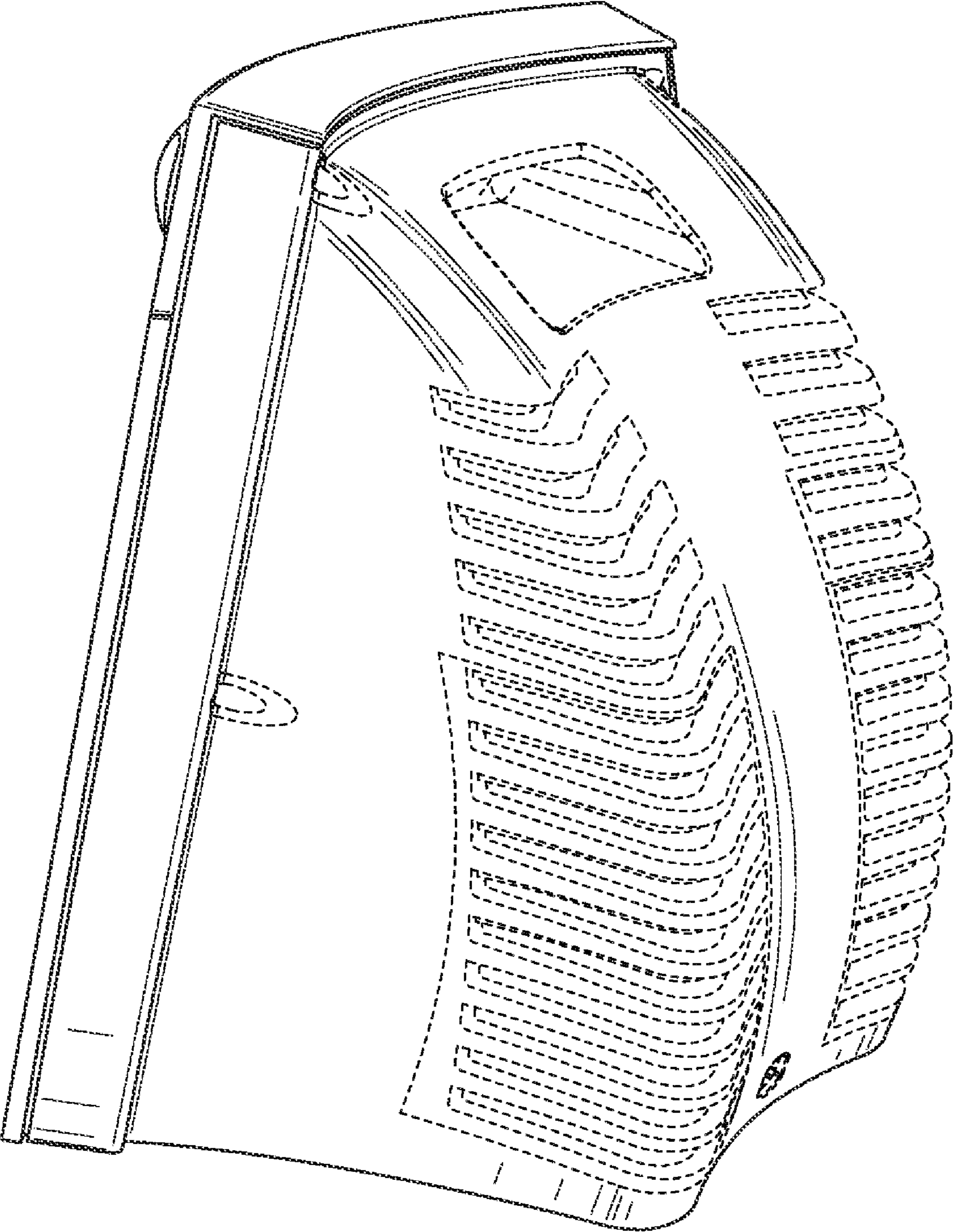


FIG. 4



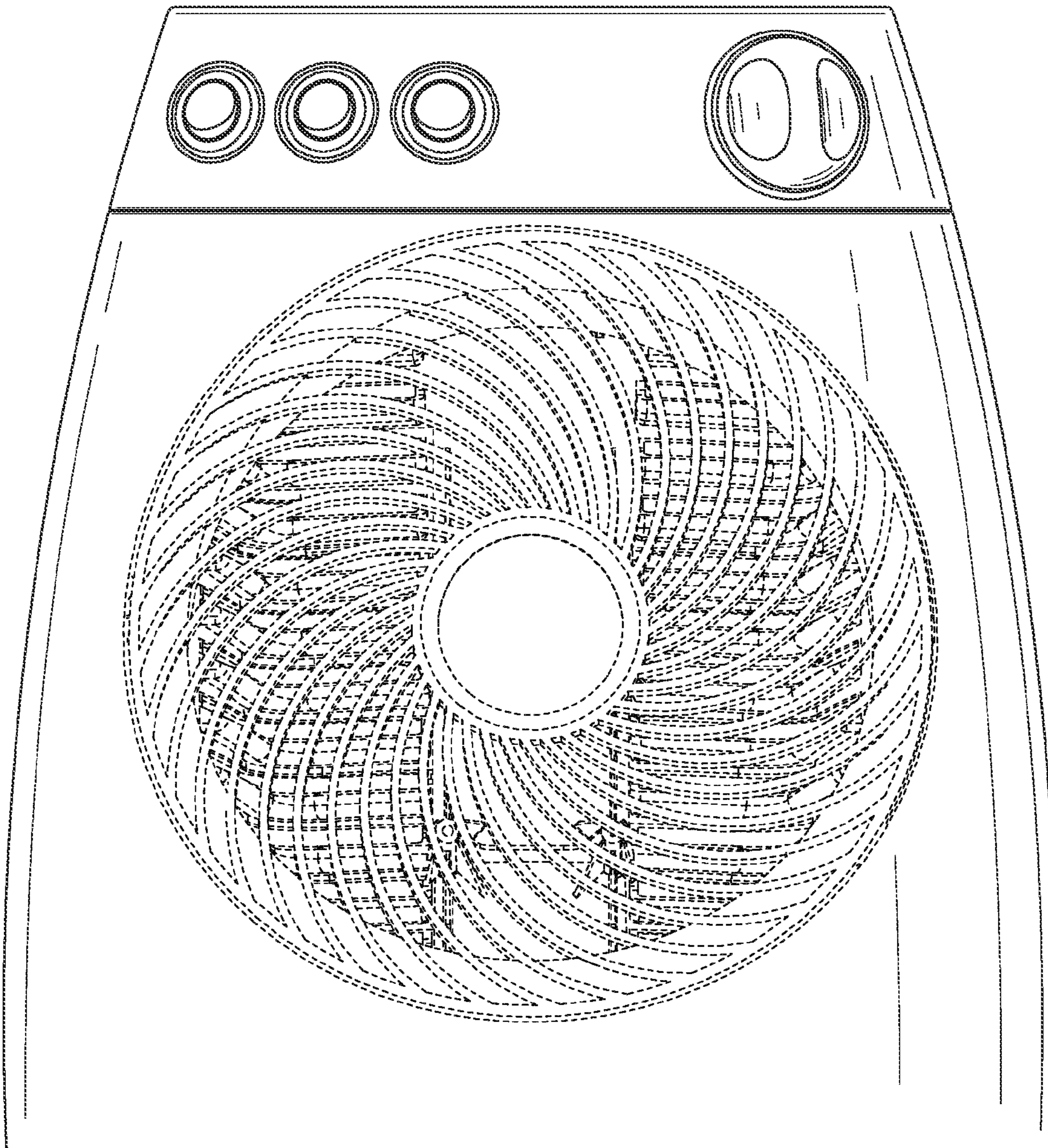


FIG. 5

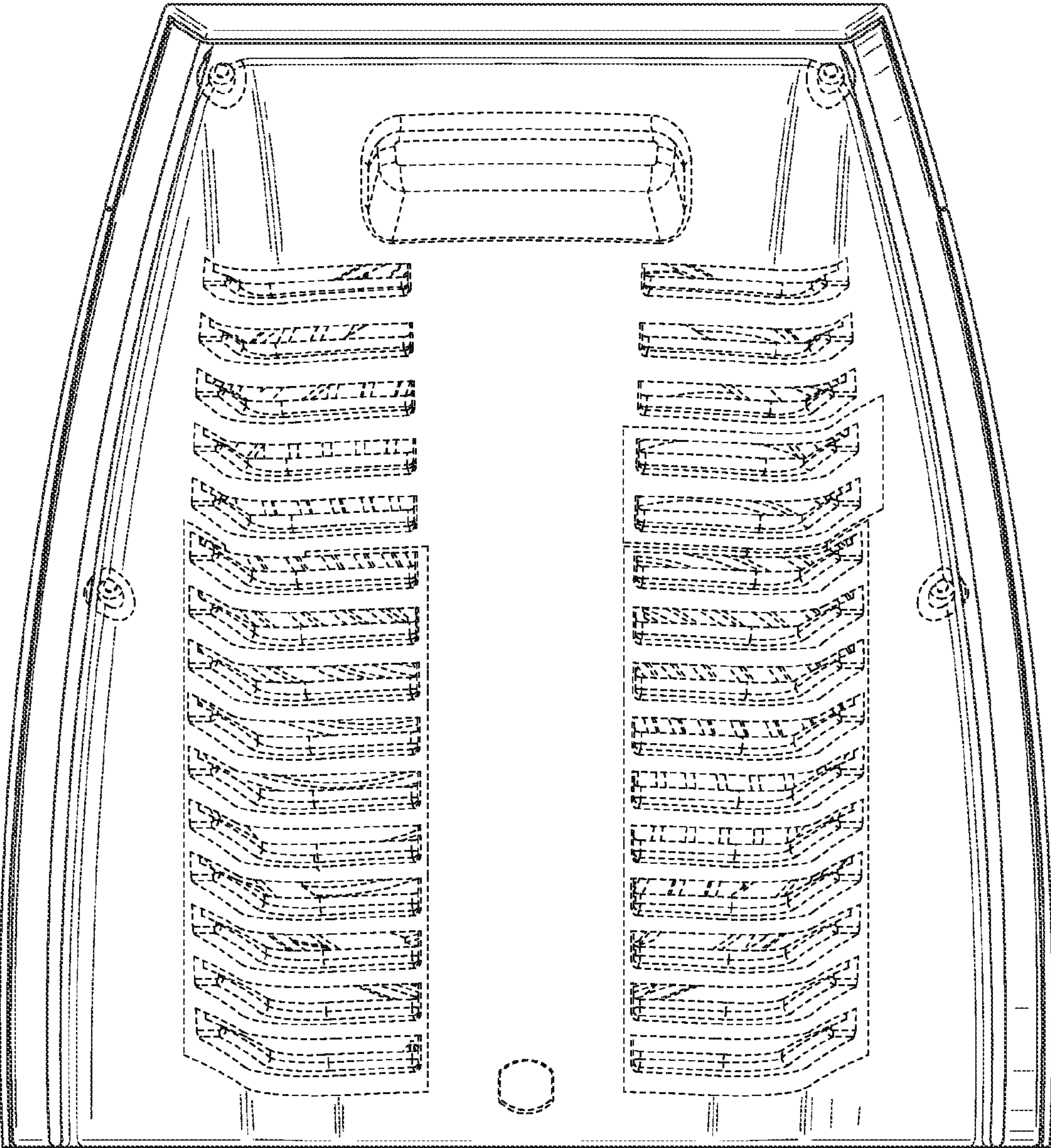


FIG. 6



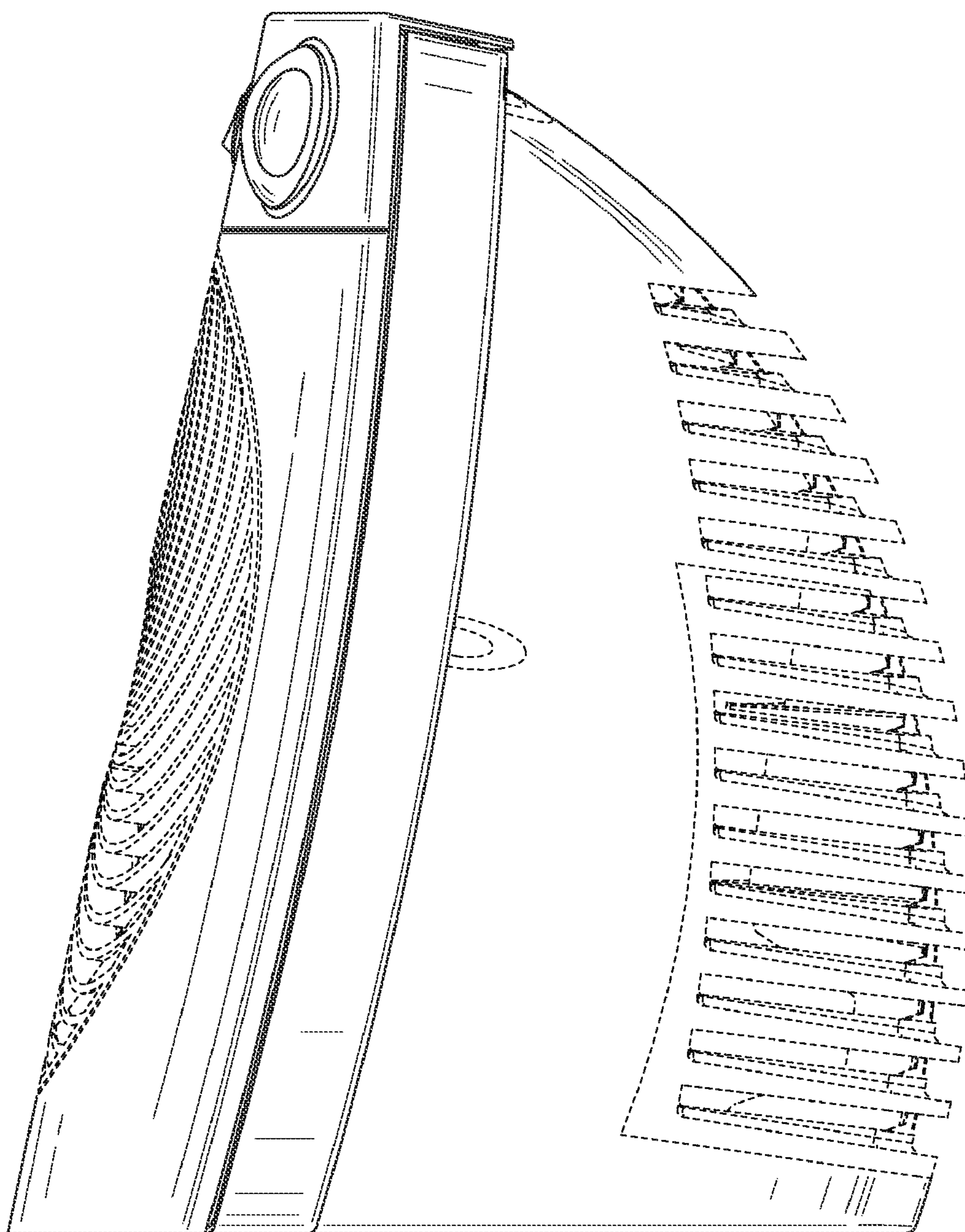


FIG. 7



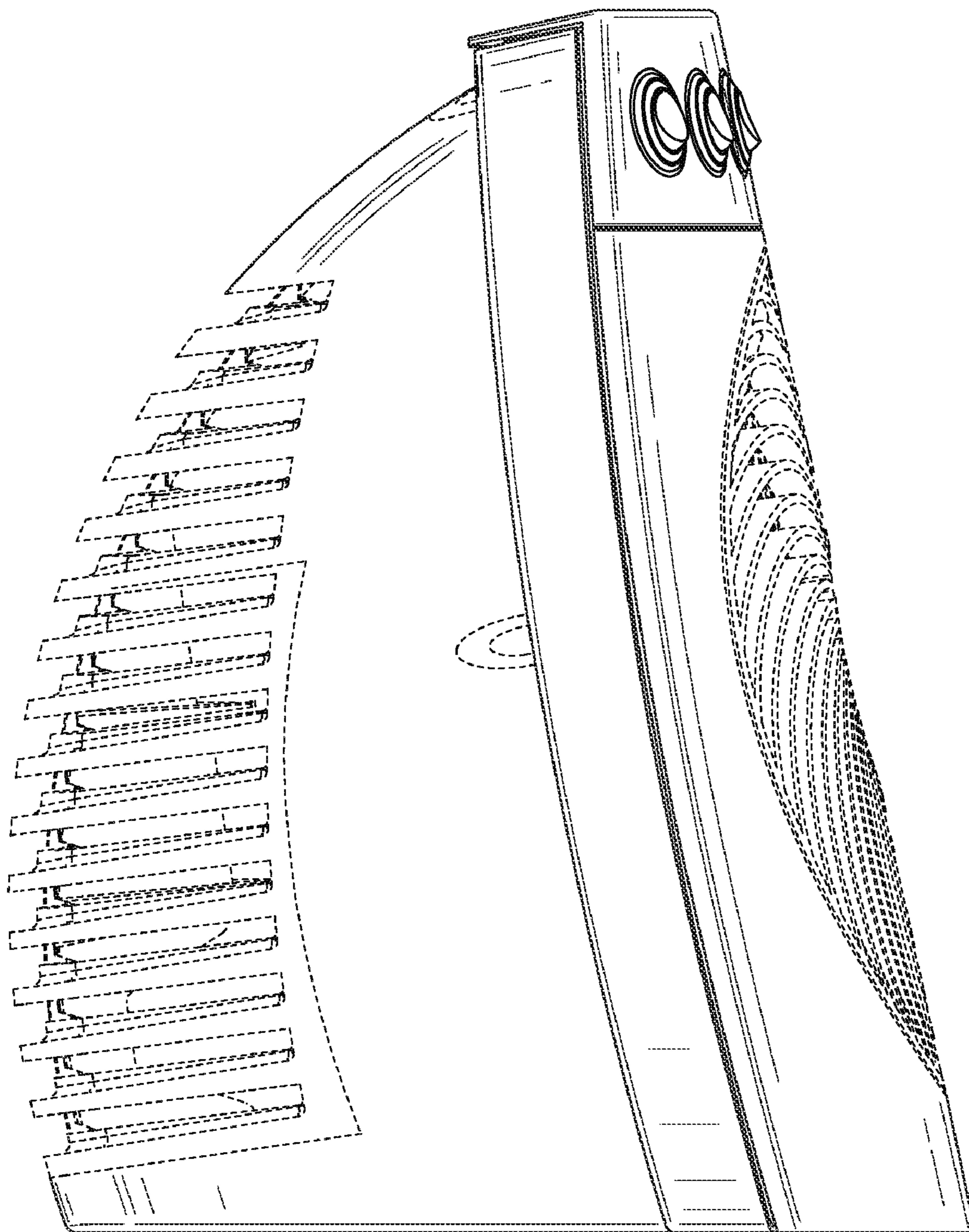


FIG. 8

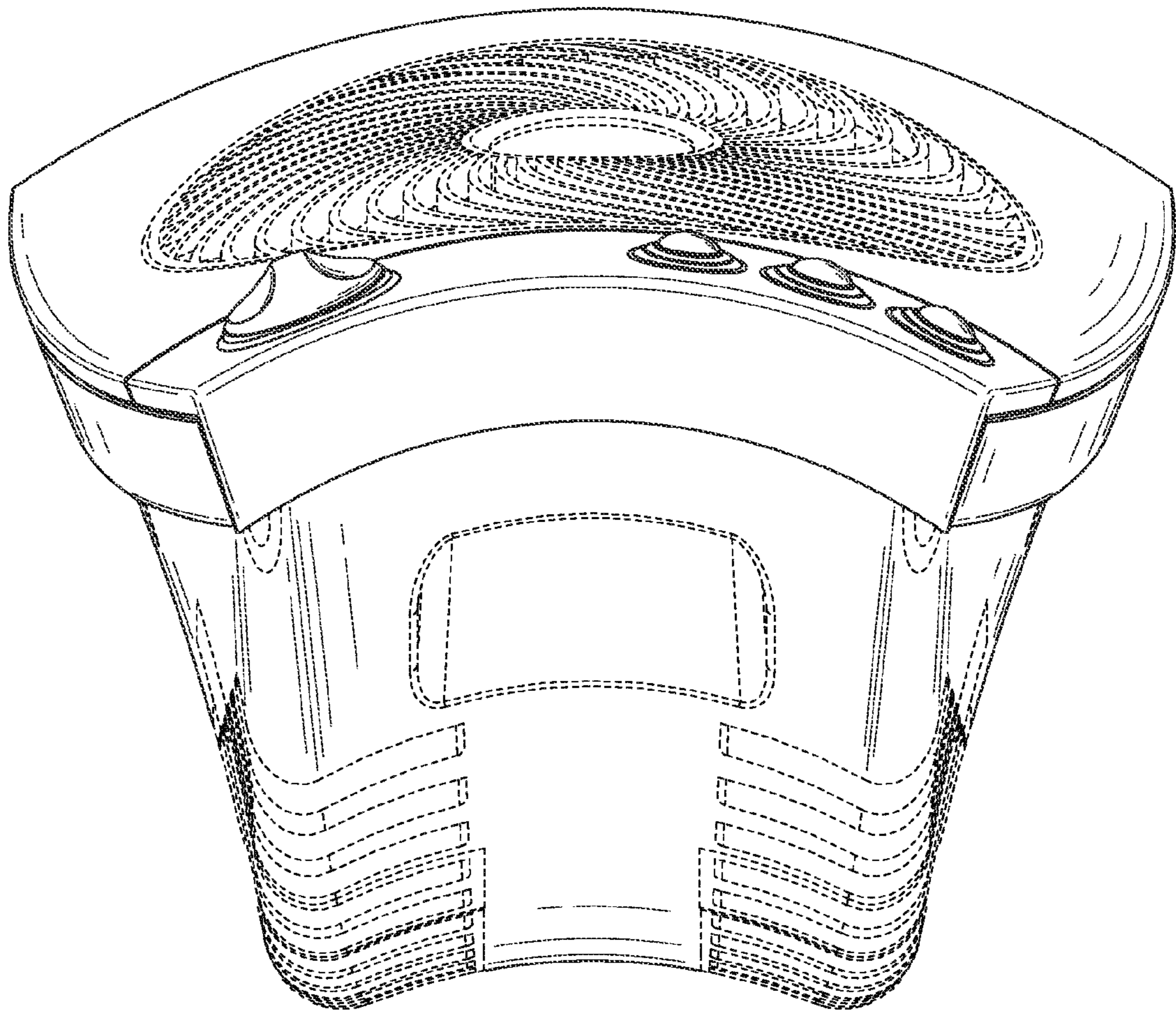


FIG. 9