



US00D626638S

(12) **United States Design Patent**
Reback et al.

(10) **Patent No.:** **US D626,638 S**

(45) **Date of Patent:** **** *Nov. 2, 2010**

(54) **URINAL**

D201,120 S * 5/1965 Robare D23/302
D331,960 S 12/1992 Alger
D372,962 S * 8/1996 Thomas D23/302

(75) Inventors: **Nicholas Reback**, Monona, WI (US);
Cory R. Boudreau, Madison, WI (US)

* cited by examiner

(73) Assignee: **Sloan Valve Company**, Franklin Park,
IL (US)

Primary Examiner—Robert A Delehanty
(74) *Attorney, Agent, or Firm*—Foley & Lardner LLP

(*) Notice: This patent is subject to a terminal dis-
claimer.

(57) **CLAIM**

(**) Term: **14 Years**

We claim the ornamental design for a urinal, as shown and
described.

(21) Appl. No.: **29/352,177**

DESCRIPTION

(22) Filed: **Dec. 17, 2009**

FIG. 1 is a perspective view of a urinal showing our new
design;

(51) **LOC (9) Cl.** **23-01**

FIG. 2 is a front view thereof;

(52) **U.S. Cl.** **D23/302**

FIG. 3 is a left side view thereof;

(58) **Field of Classification Search** D23/302,
D23/274, 309, 303; 4/310, 311, 144.1, 340-342,
4/664-665

FIG. 4 is a right side view thereof;

See application file for complete search history.

FIG. 5 is top view thereof;

FIG. 6 is a bottom view thereof; and,

FIG. 7 is a rear view thereof.

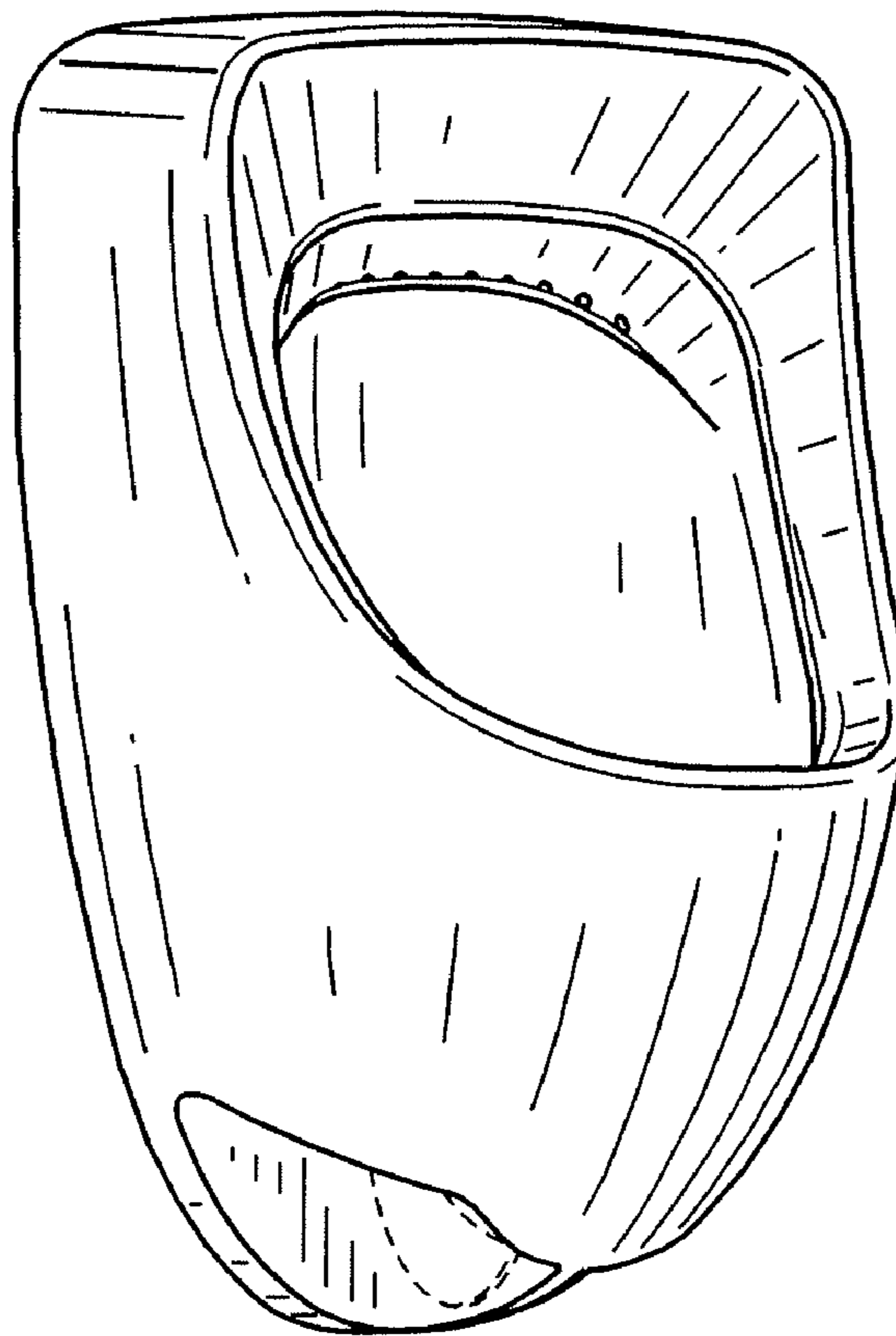
The broken lines shown are for illustrative purposes only and
form no part of the claimed design.

(56) **References Cited**

U.S. PATENT DOCUMENTS

268,379 A 12/1882 Baldwin
276,261 A 4/1883 McGinley
2,208,720 A 7/1940 Coordes

1 Claim, 4 Drawing Sheets



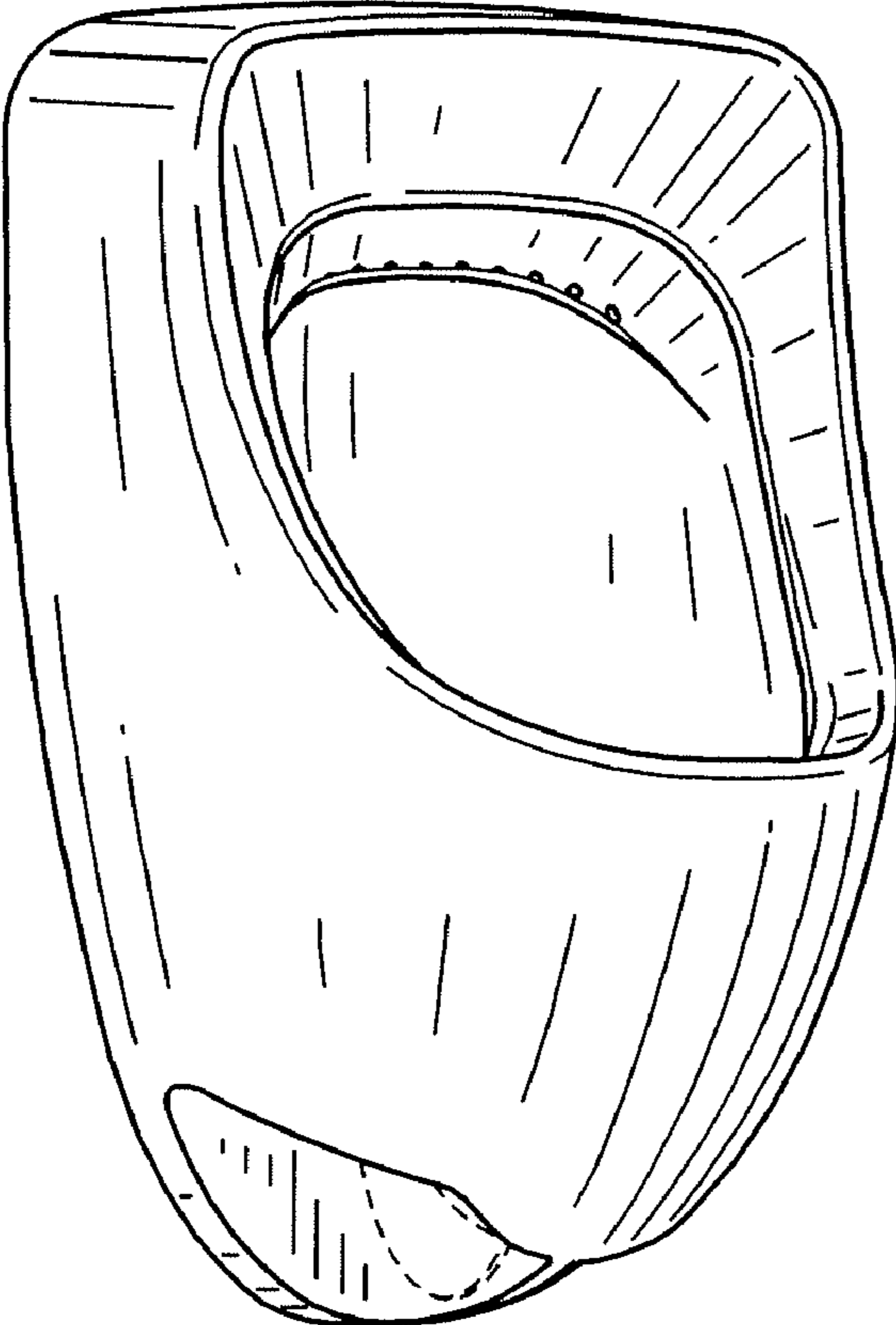


FIG. 1

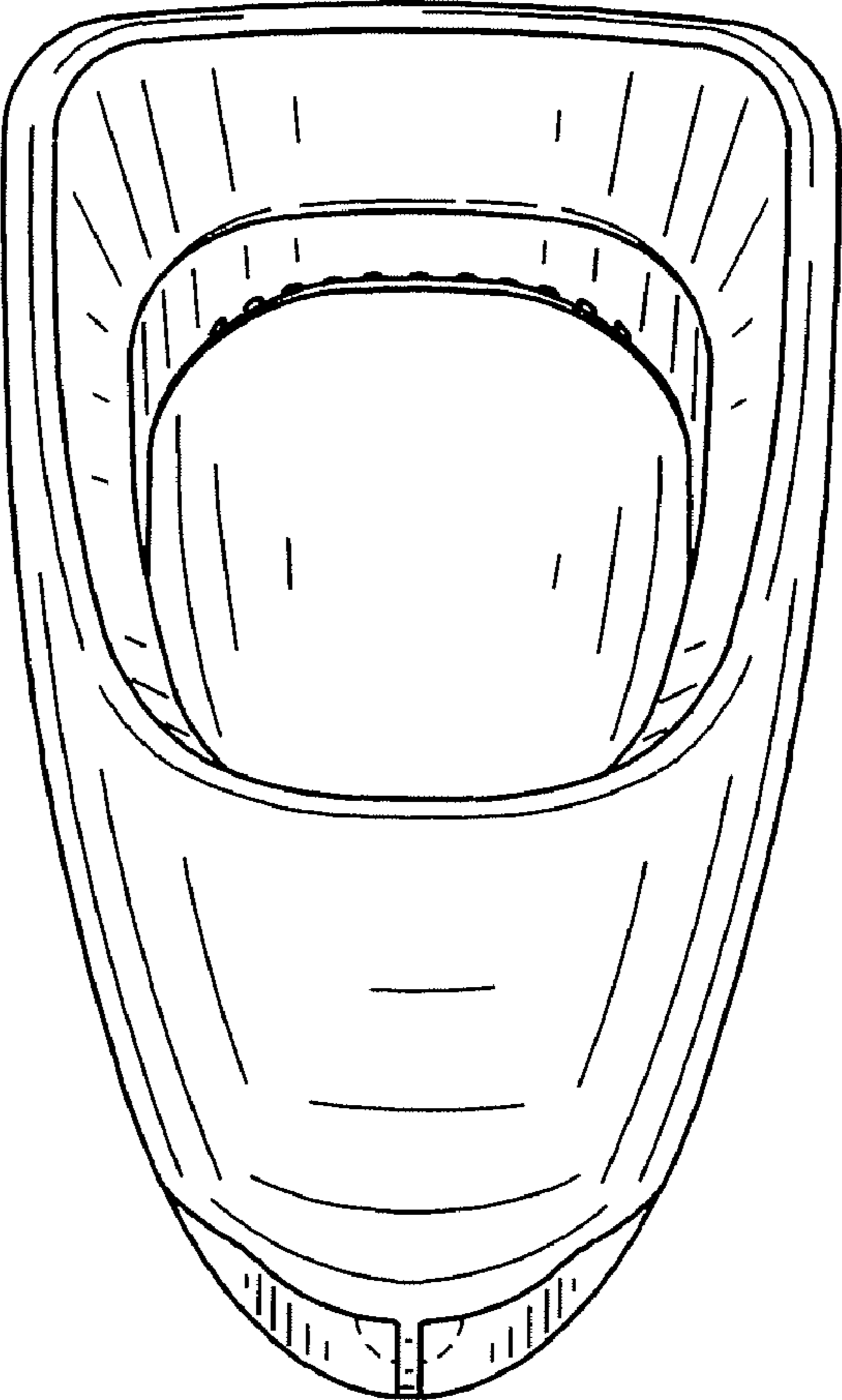


FIG. 2

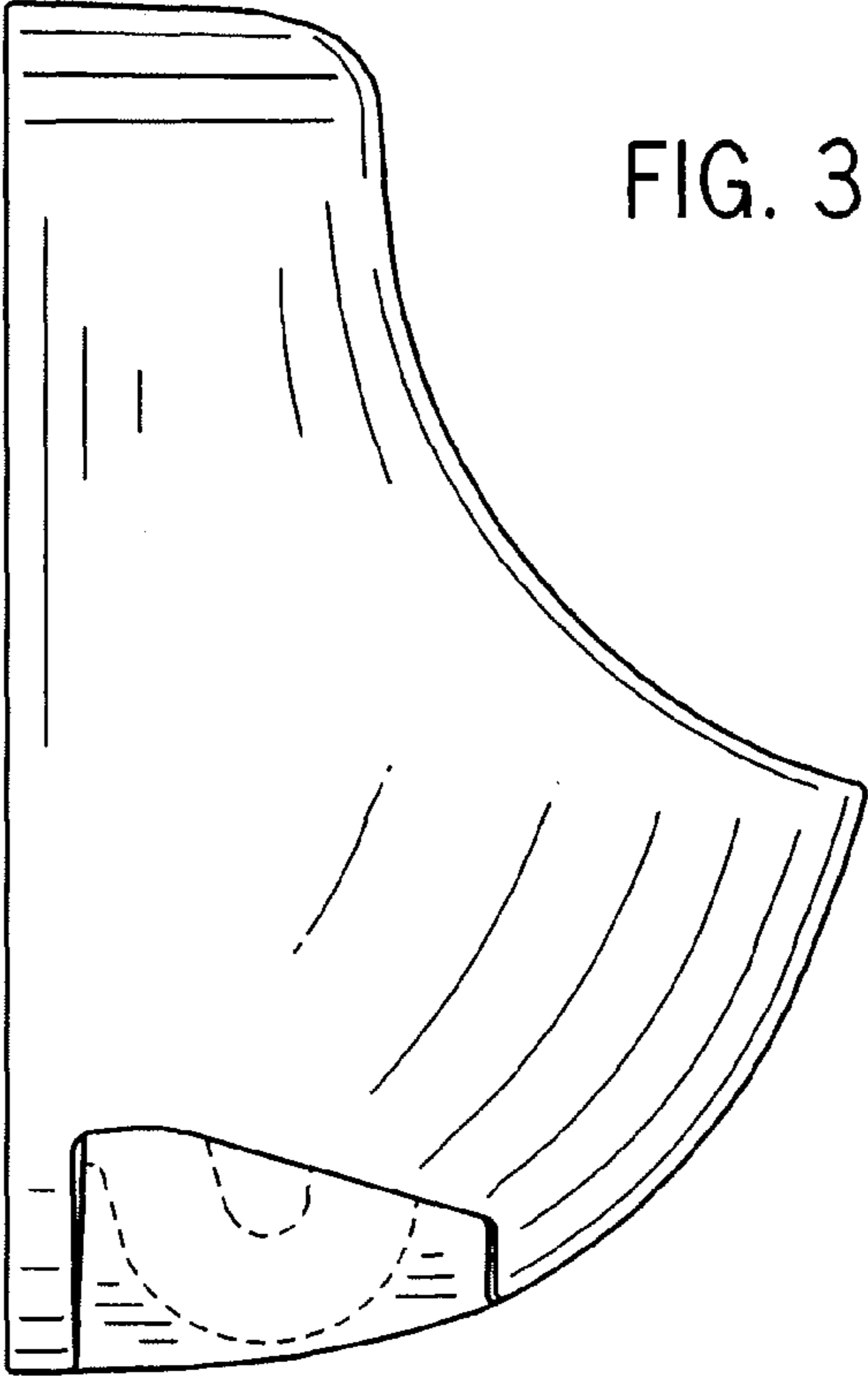


FIG. 3

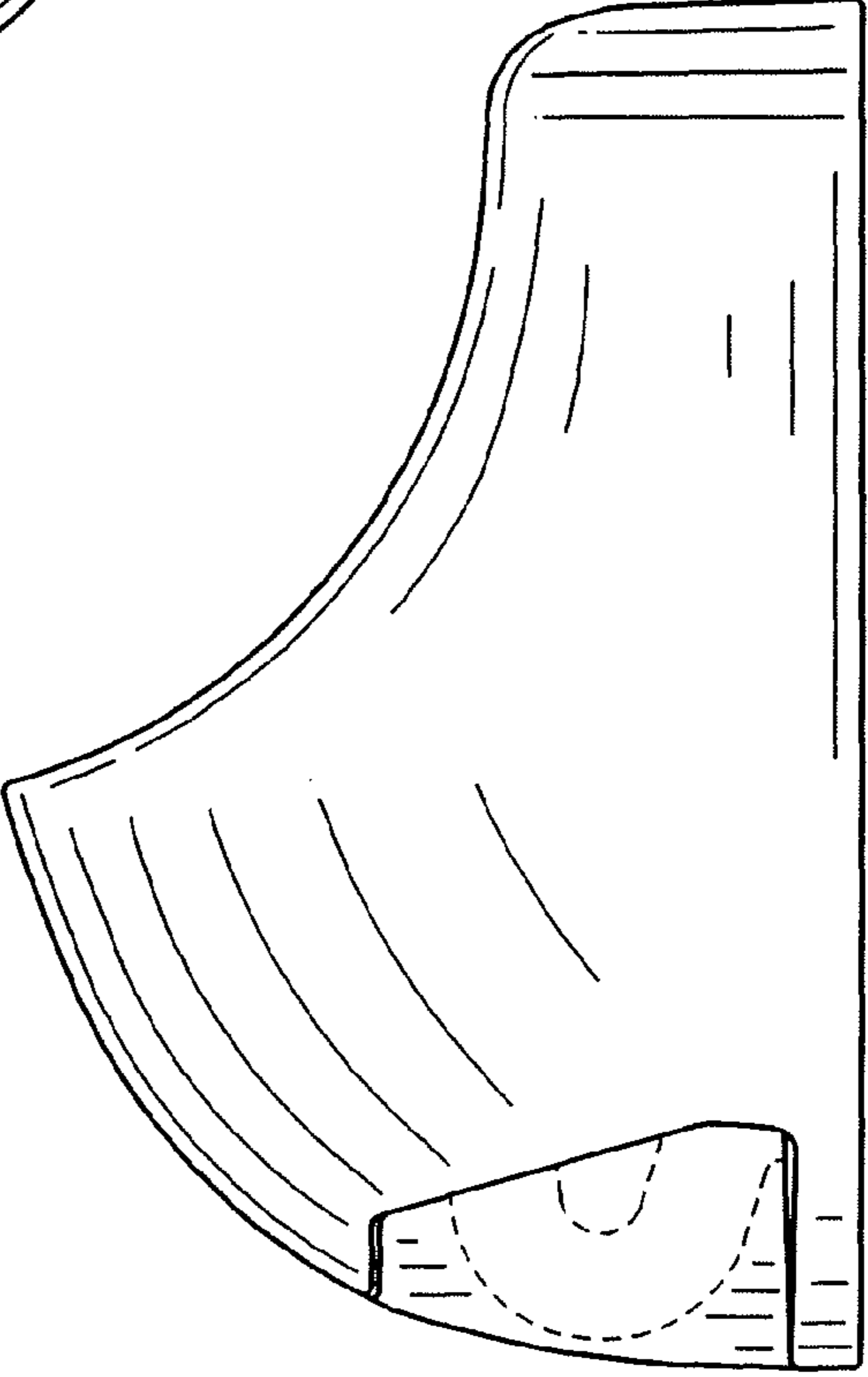


FIG. 4

FIG. 5

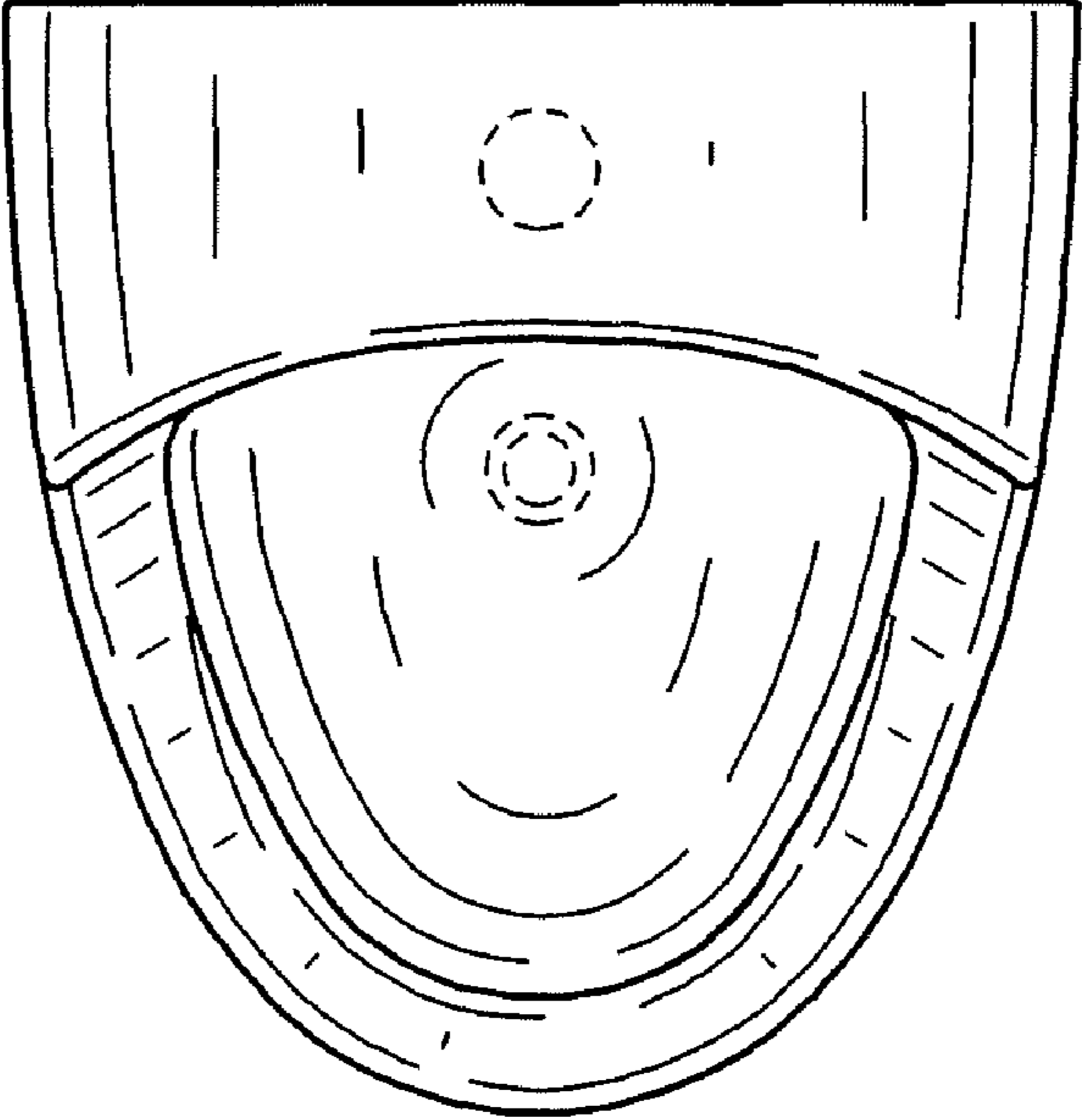
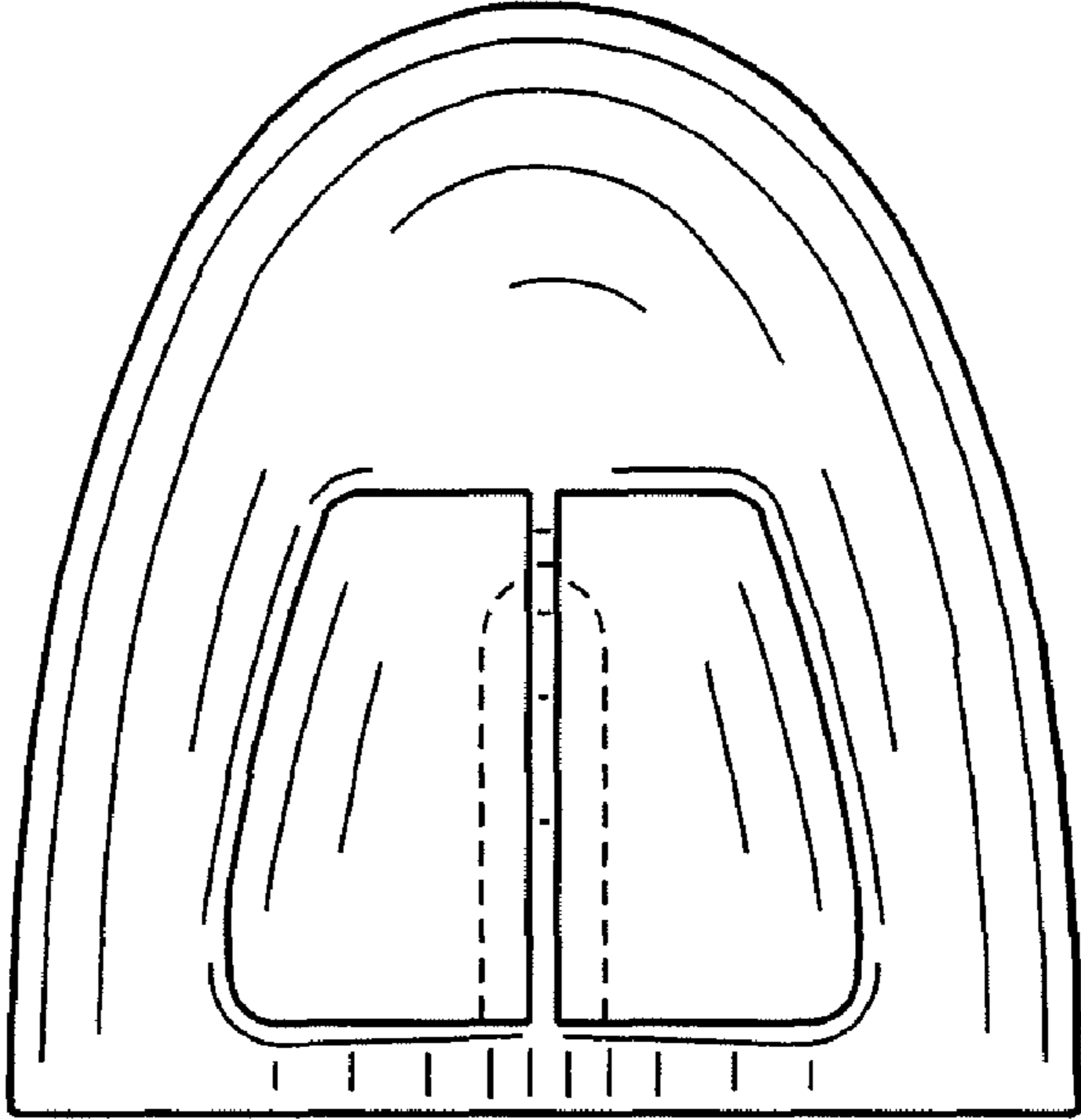


FIG. 6



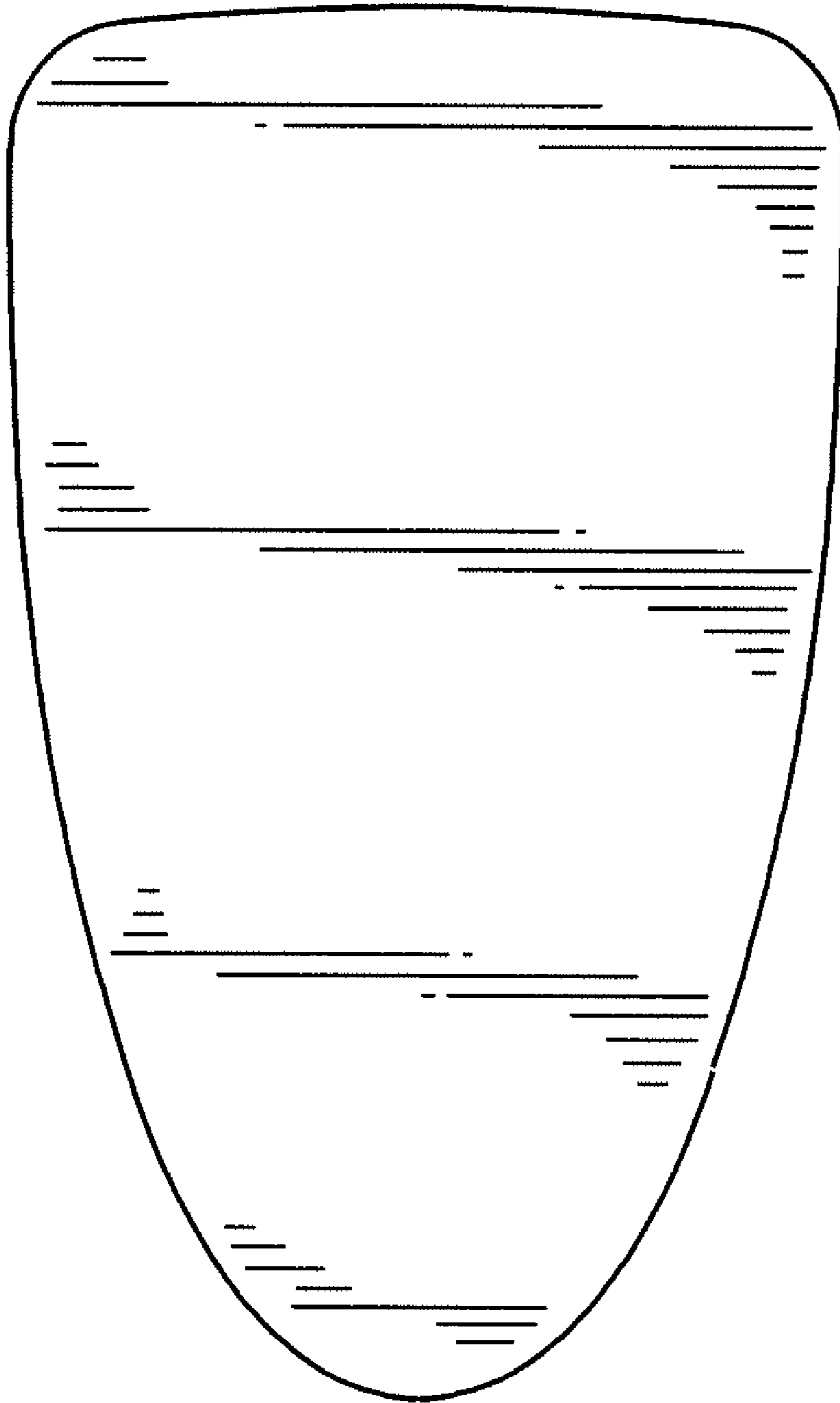


FIG. 7