



US00D626633S

(12) **United States Design Patent**
Montgomery

(10) **Patent No.:** **US D626,633 S**
(45) **Date of Patent:** **** Nov. 2, 2010**

(54) **PLUMBING FITTING**

(57) **CLAIM**

(75) Inventor: **Howard M. Montgomery**, Skokie, IL
(US)

The ornamental design for a plumbing fitting, as shown and described.

(73) Assignee: **Kohler Co.**, Kohler, WI (US)

DESCRIPTION

(**) Term: **14 Years**

FIG. 1 is a right, top, front perspective view of a plumbing fitting according to my new design in the form of an escutcheon, shown with exemplary handle environment;

(21) Appl. No.: **29/350,884**

FIG. 2 is a front elevational view thereof;

(22) Filed: **Nov. 24, 2009**

FIG. 3 is a right side elevational view thereof, the left side elevational view thereof being a mirror image of the right side shown;

(51) **LOC (9) Cl.** **23-01**

(52) **U.S. Cl.** **D23/254; D8/350**

(58) **Field of Classification Search** D23/238–243,
D23/250, 252, 254; 4/676–677; D8/350–353,
D8/308; 137/350–353

FIG. 4 is a top plan view thereof;

FIG. 5 is a bottom plan view thereof;

See application file for complete search history.

FIG. 6 is a rear elevational view thereof;

(56) **References Cited**

FIG. 7 is a right, top, front perspective view of a plumbing fitting according to another embodiment of my new design in the form of an escutcheon, shown with exemplary handle environment;

U.S. PATENT DOCUMENTS

D322,926 S *	1/1992	Kolada et al.	D23/249
D404,803 S *	1/1999	Lobermeier	D23/254
D483,439 S *	12/2003	Thomas	D23/250
D540,919 S *	4/2007	Soriano	D23/249

FIG. 8 is a front elevational view thereof;

FIG. 9 is a right side elevational view thereof, the left side elevational view thereof being a mirror image of the right side shown;

OTHER PUBLICATIONS

Jacob Delafon. "Singular Shower Control". Jacob Delafon online catalog.

Kohler Co. "Symbol volume control valve trim". Model No. K-T18091-4. Kohler Co. online catalog. Copyright 2009 Kohler Co.

FIG. 10 is a top plan view thereof;

FIG. 11 is a bottom plan view thereof; and,

FIG. 12 is a rear elevational view thereof.

* cited by examiner

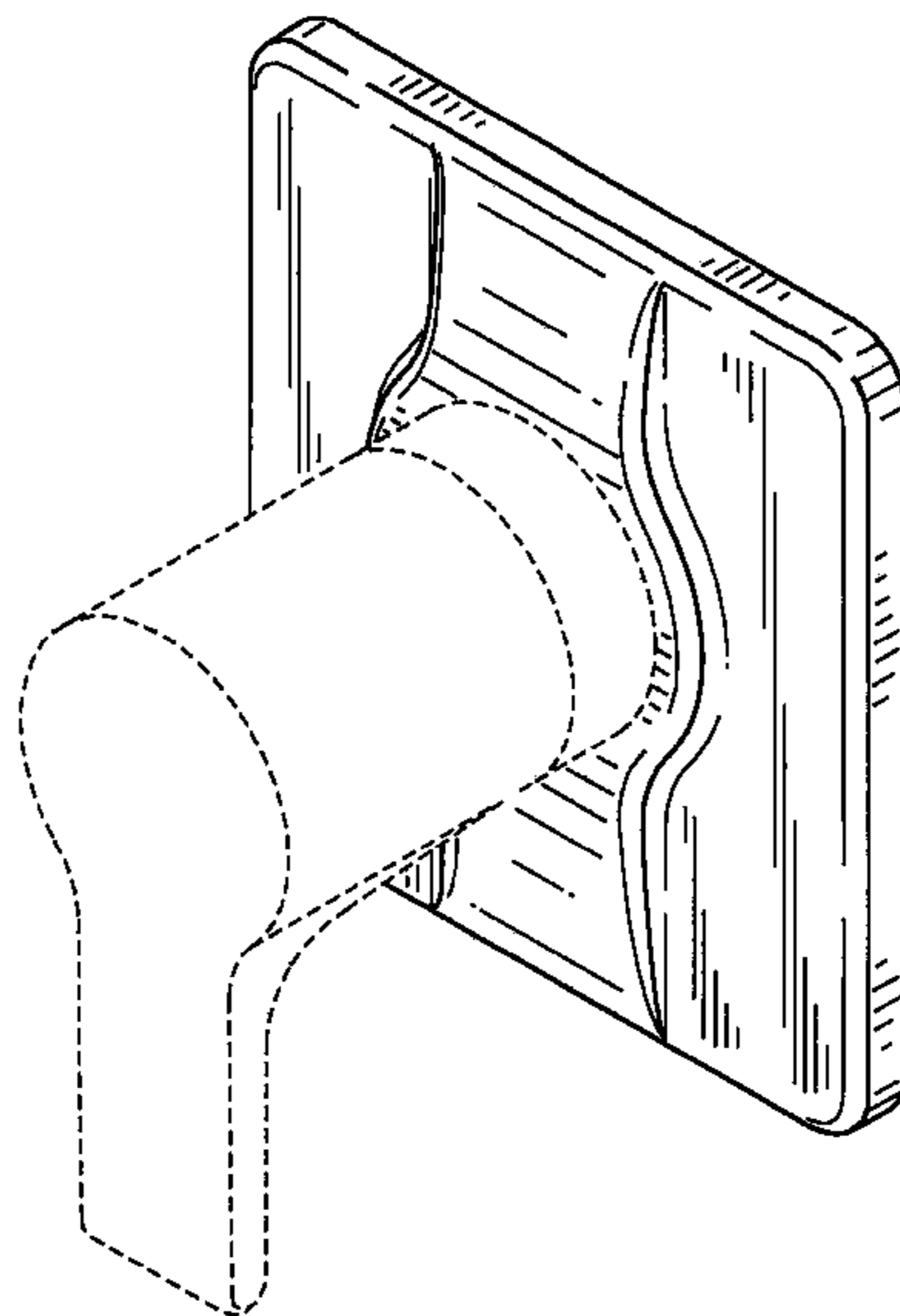
The broken line representations in the figures are for the purpose of illustration only, and form no part of the claimed design.

In a preferred embodiment, the nature of this product is a plumbing fitting, such as an escutcheon for a shower and/or bath control.

Primary Examiner—Robert A Delehanty

(74) *Attorney, Agent, or Firm*—Quarles & Brady LLP

1 Claim, 8 Drawing Sheets



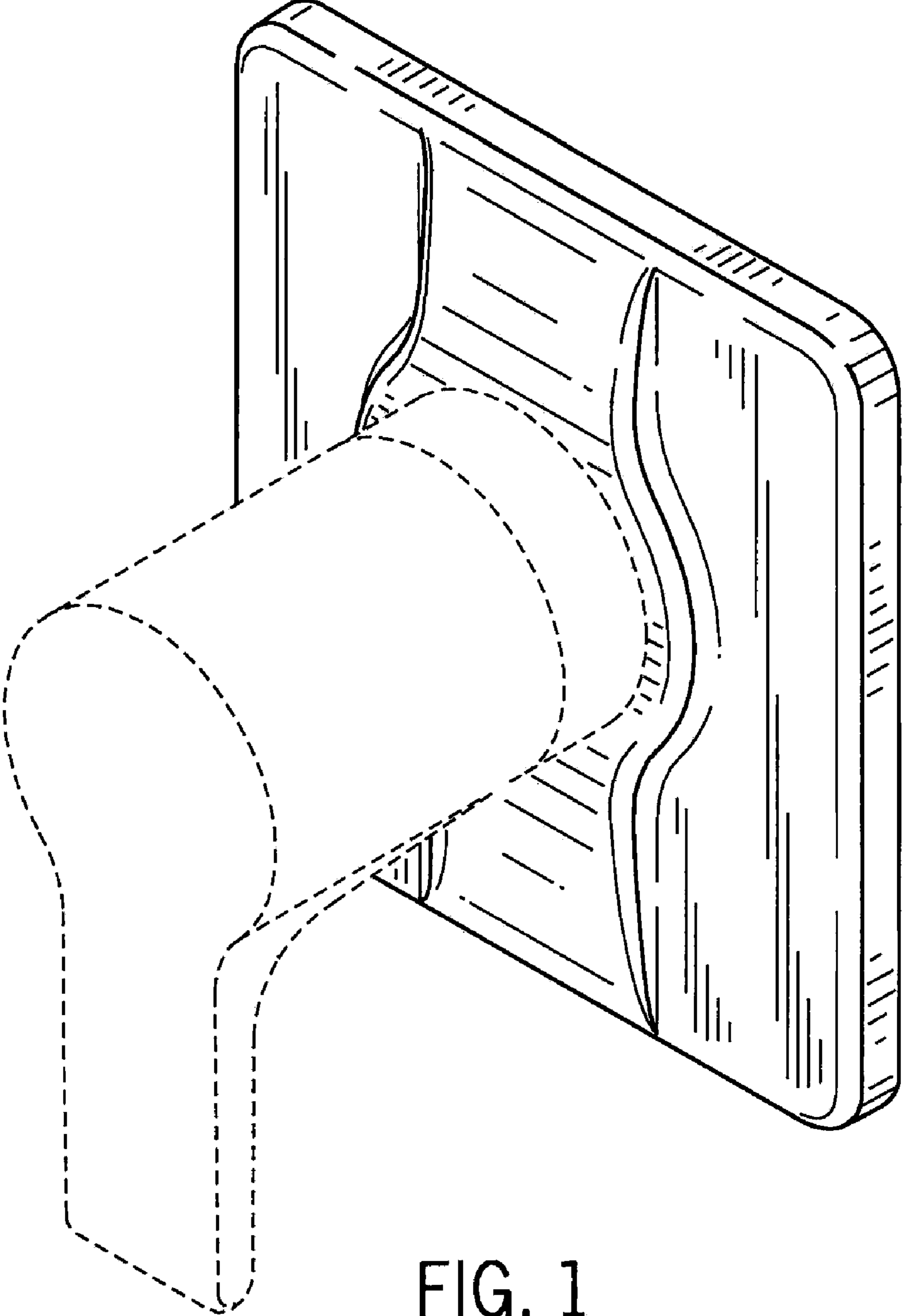


FIG. 1

FIG. 2

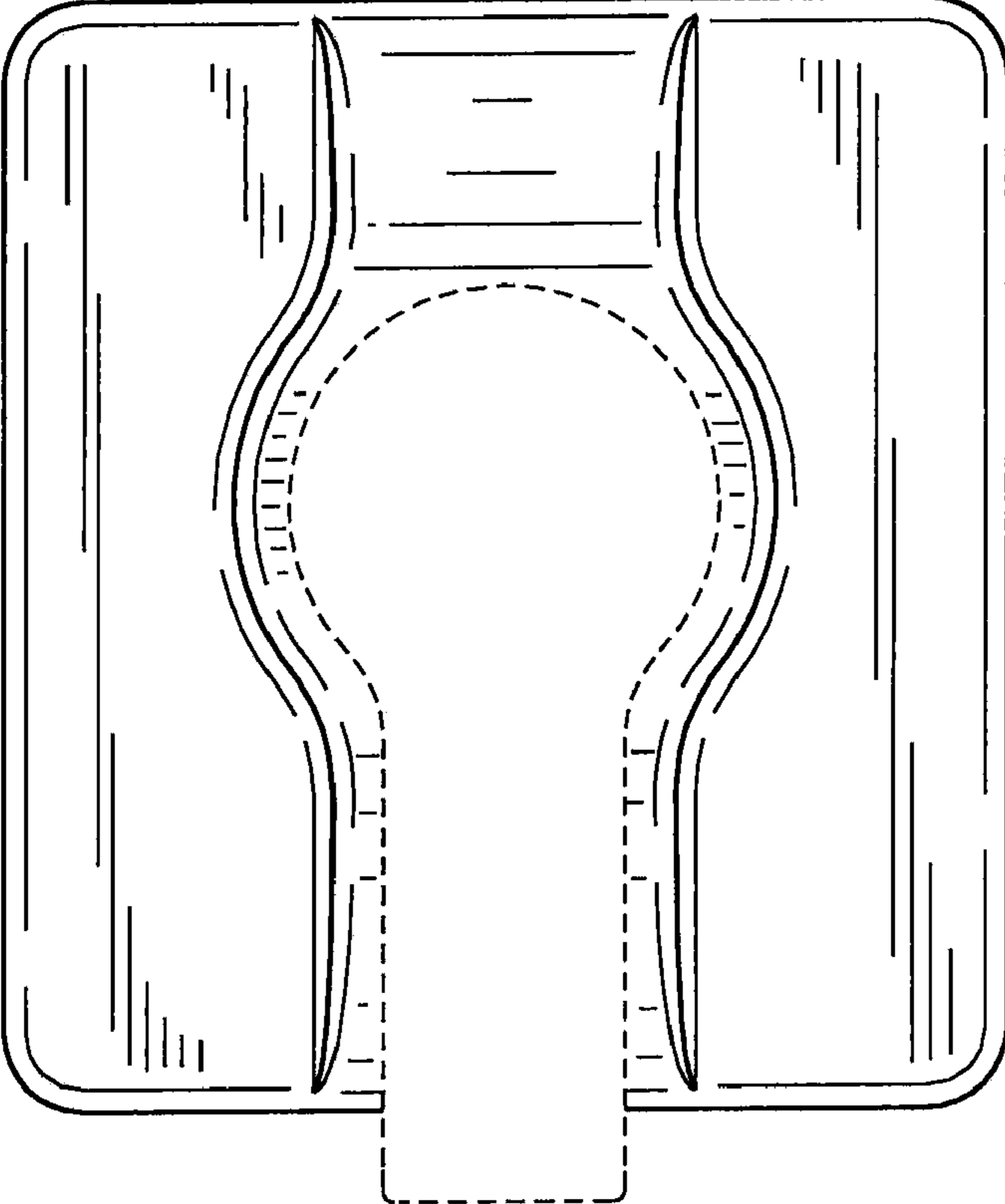


FIG. 3

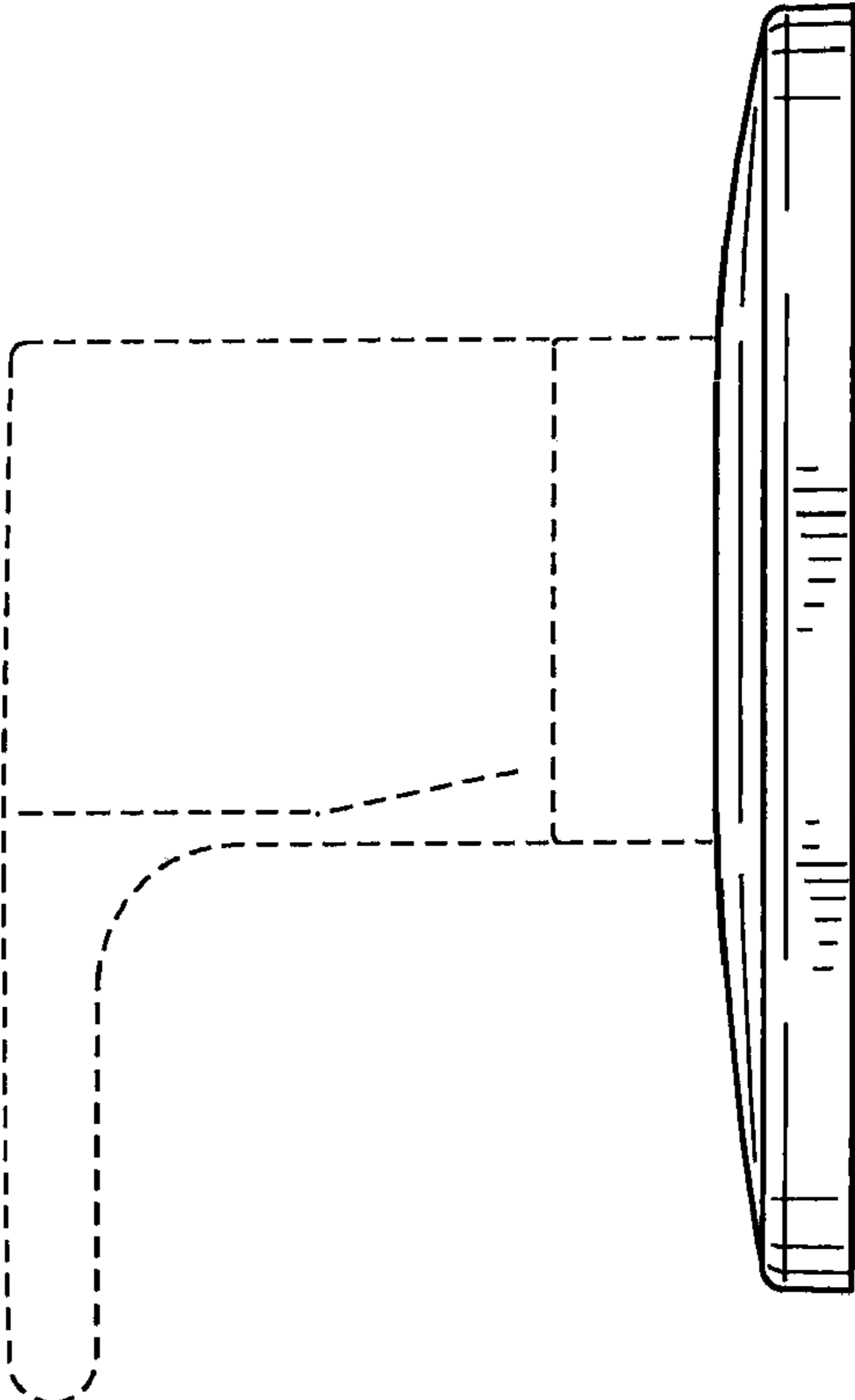


FIG. 4

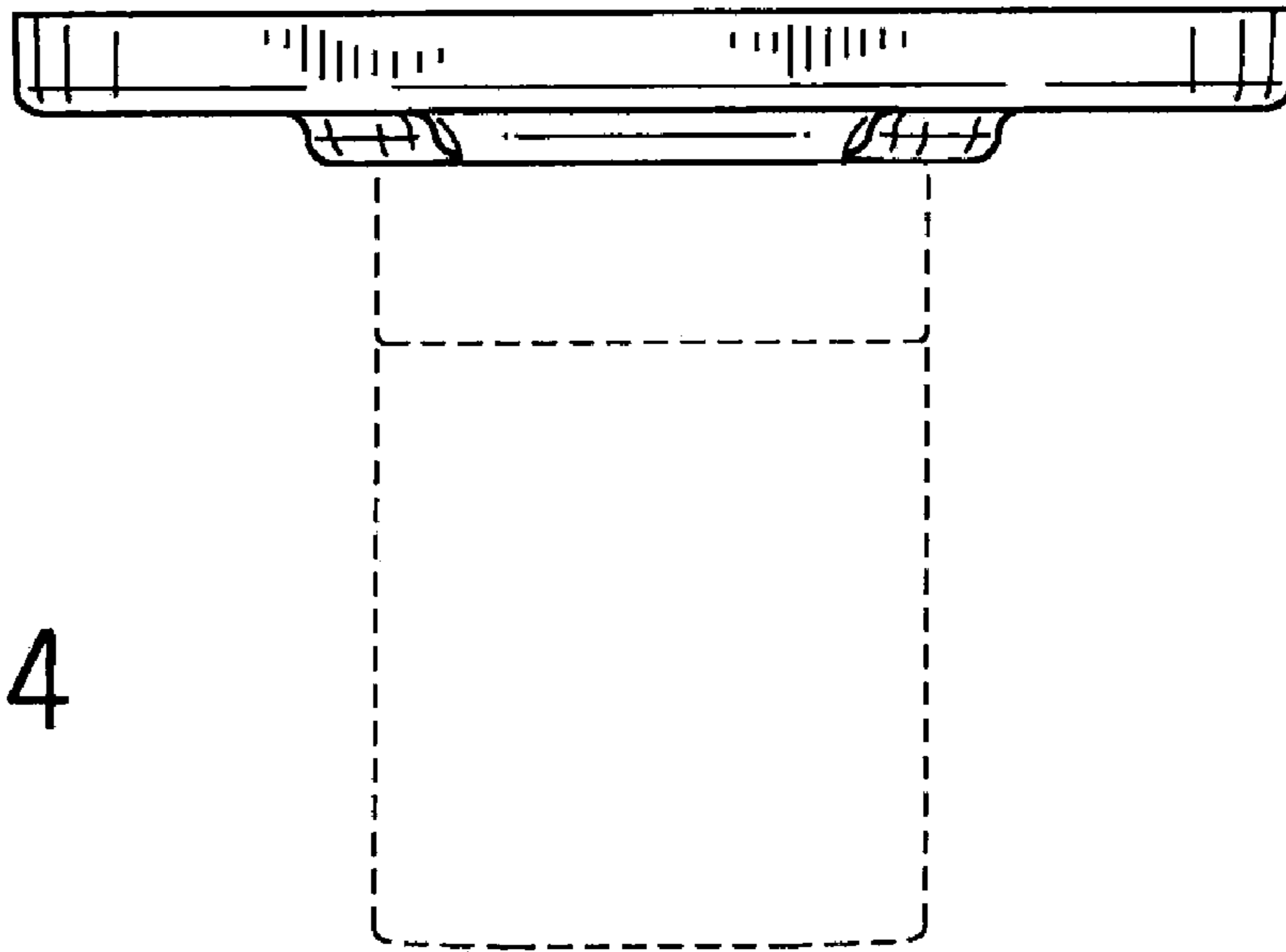
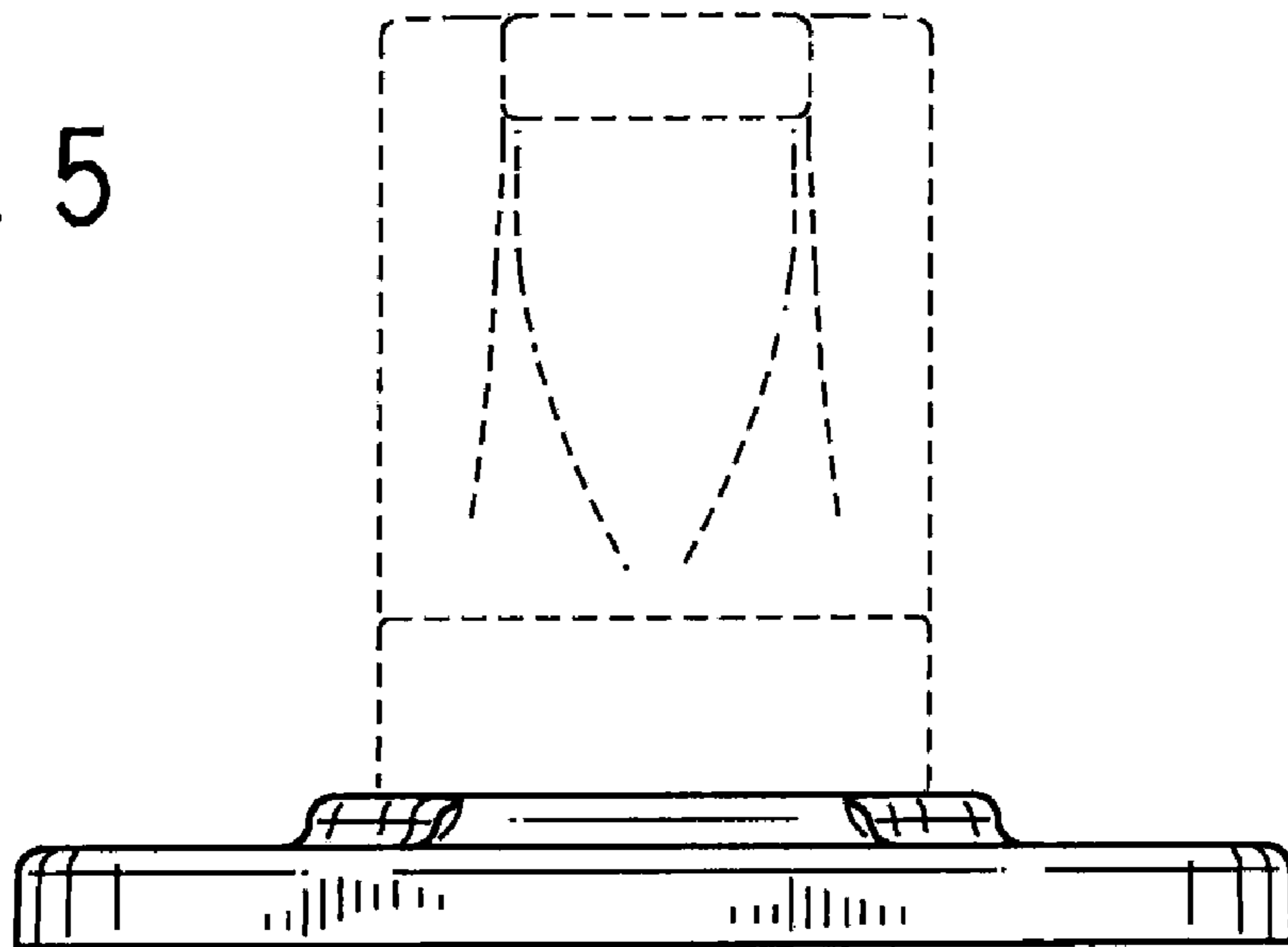


FIG. 5



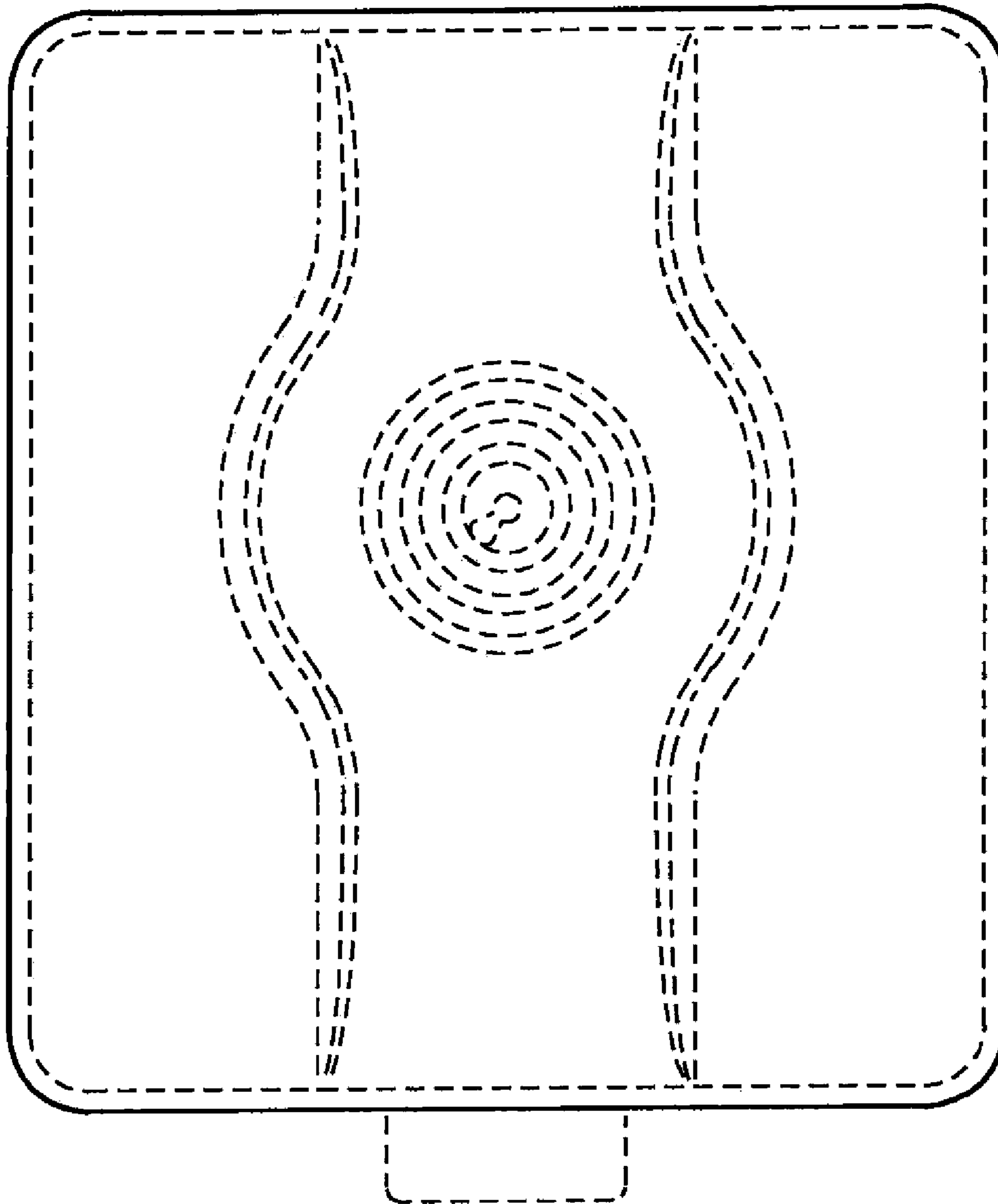


FIG. 6

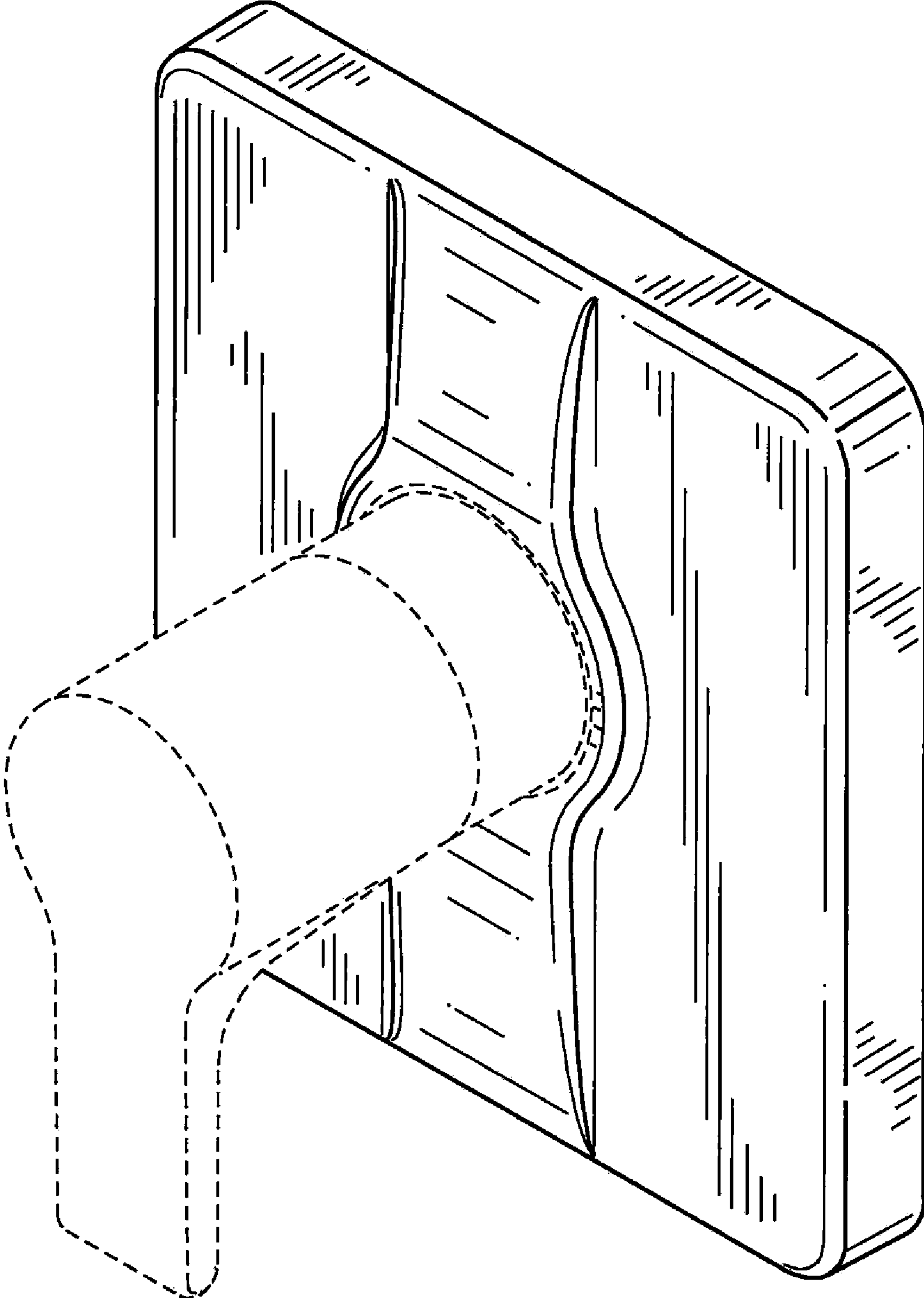


FIG. 7

FIG. 8

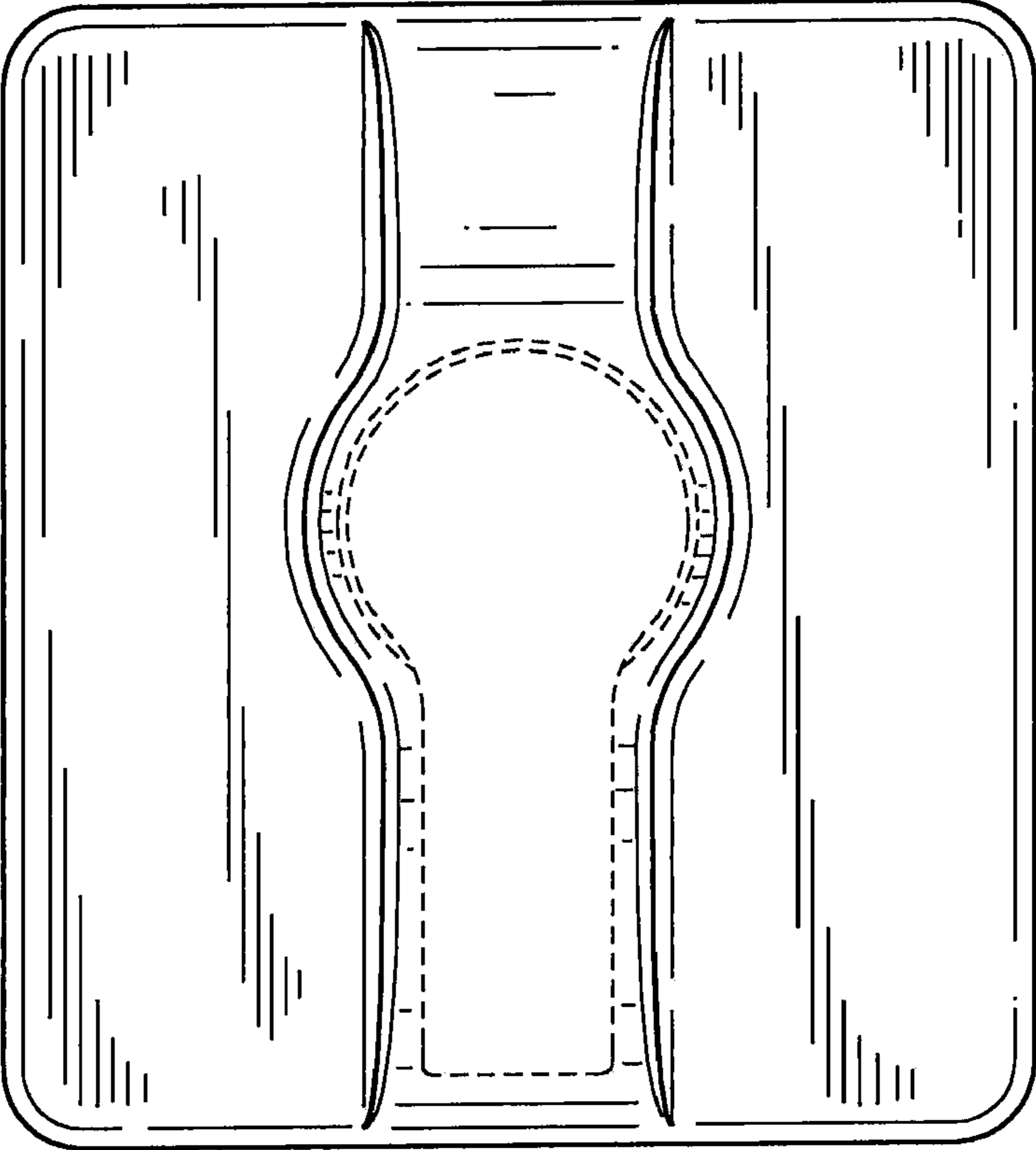
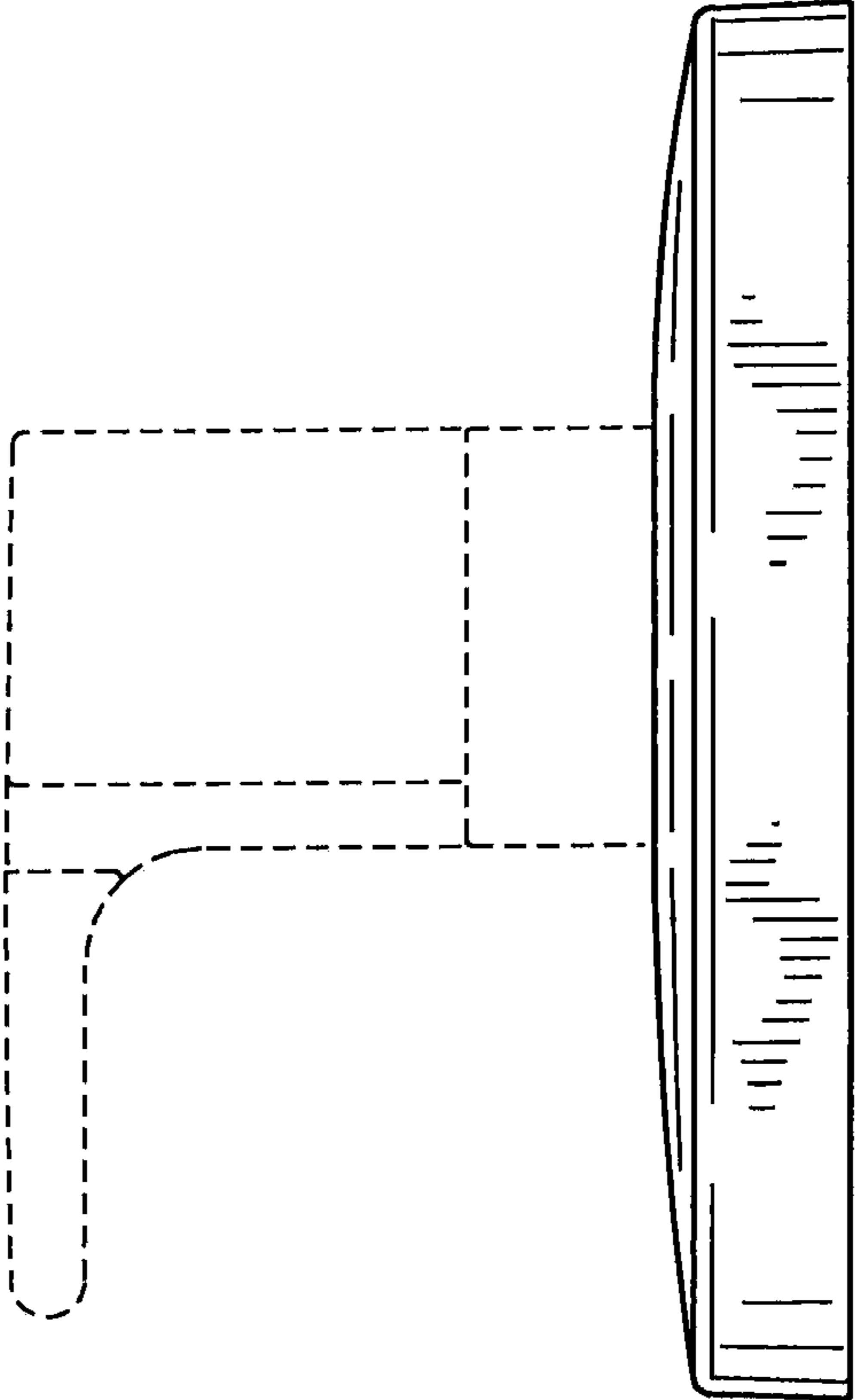


FIG. 9



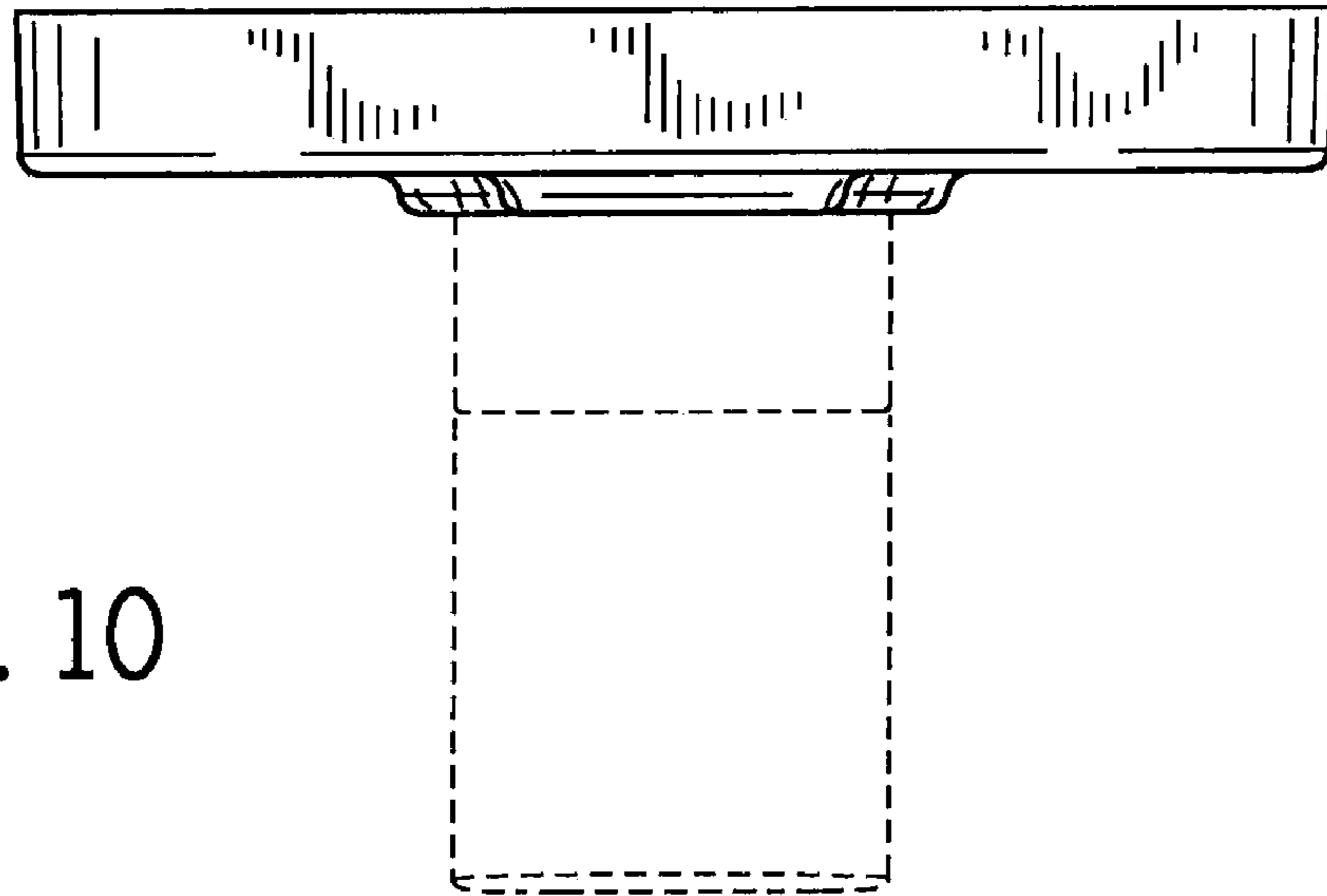


FIG. 10

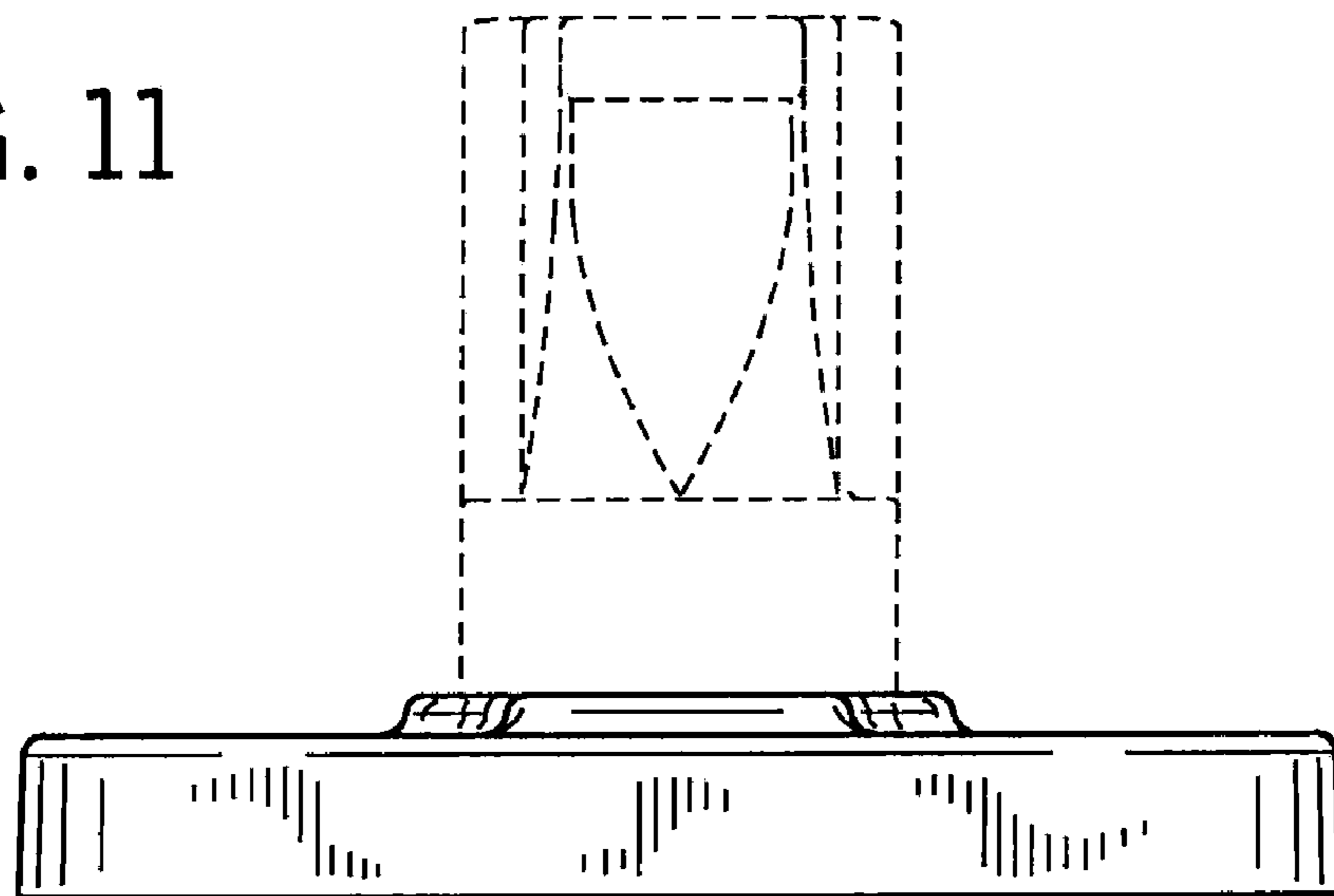


FIG. 11

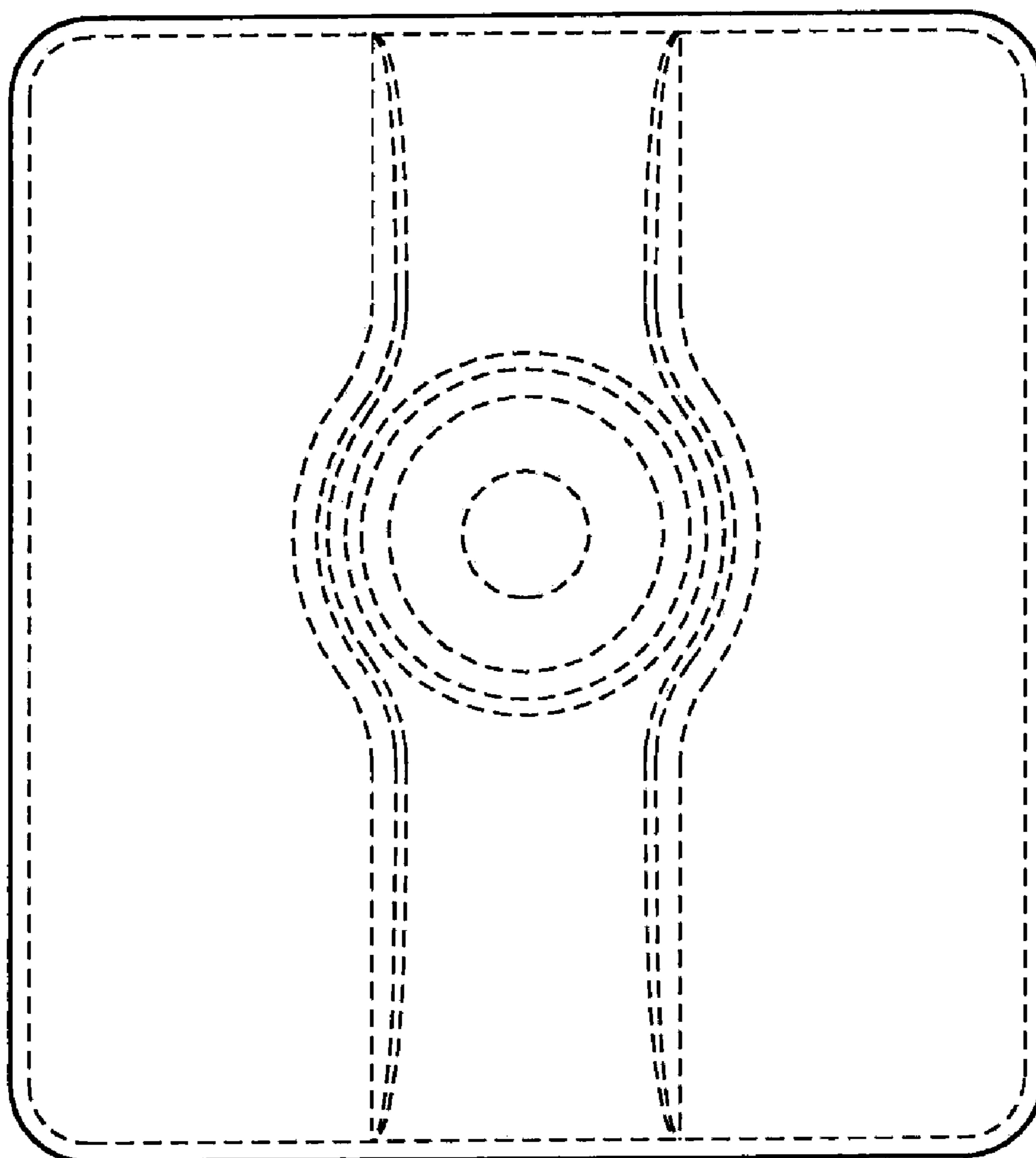


FIG. 12